



US00D970073S

(12) **United States Design Patent**  
**Zhao**

(10) **Patent No.:** **US D970,073 S**

(45) **Date of Patent:** **\*\* Nov. 15, 2022**

(54) **FLASHLIGHT**

(71) Applicant: **TECHNOMATE MANUFACTORY LIMITED**, Hong Kong (CN)

(72) Inventor: **Hebing Zhao**, Dongguan (CN)

(73) Assignee: **TECHNOMATE MANUFACTORY LIMITED**, Hong Kong (CN)

(\*\*) Term: **15 Years**

(21) Appl. No.: **29/750,583**

(22) Filed: **Sep. 15, 2020**

(51) **LOC (13) Cl.** ..... **26-02**

(52) **U.S. Cl.**  
USPC ..... **D26/49**

(58) **Field of Classification Search**

USPC ..... D26/24, 37-52, 113, 118-119, 138

CPC ..... F21Y 2115/10; F21Y 2113/13; F21Y

2103/10; F21Y 2101/00; F21Y 2107/40;

F21Y 2105/10; F21Y 2105/18; F21Y

2113/00; F21Y 2113/10; F21Y 2113/17;

F21Y 2113/20; F21L 4/005; F21L 4/027;

F21L 4/085; F21L 4/08; F21L 4/045;

F21L 4/00; F21L 4/02; F21L 4/022; F21L

4/04; F21L 4/025; F21L 13/00; F21L

14/02; F21L 2/00; F21V 23/0414; F21V

23/0428; F21V 21/0965; F21V 23/0421;

F21V 15/01; F21V 21/0885; F21V

21/406; F21V 23/0407; F21V 23/06;

F21V 33/0064; F21V 33/0084; F21V

14/025; F21V 23/003; F21V 23/04; F21V

14/065; F21V 21/084; F21V 21/08; F21V

21/30; F21V 23/0435; F21V 31/00; F21V

31/005; F21V 33/0076; F21V 33/008;

F21V 5/006; F21V 7/0075; F21V 14/045;

F21V 15/012; F21V 17/12; F21V 19/02;

F21V 21/0816; F21V 21/0925; F21V

23/0464; F21V 23/0471; F21V 5/04;

F21V 13/045; F21V 17/002; F21V

21/096; F21V 21/145; F21V 23/023;

F21V 23/0442; F21V 29/70; F21V

33/0068; F21V 3/00; F21V 9/083; F21V

9/20; F21V 13/14; F21V 14/04; F21V

14/06; F21V 15/00; F21V 17/02; F21V  
17/06; F21V 17/10; F21V 17/105; F21V

17/107; F21V 19/001; F21V 19/047;

F21V 21/00; F21V 21/002; F21V

(Continued)

(56) **References Cited**

U.S. PATENT DOCUMENTS

1,958,796 A 5/1934 Mercer

4,265,984 A 5/1981 Kaye

(Continued)

FOREIGN PATENT DOCUMENTS

EP 2314912 4/2011

WO WO201549704 4/2015

*Primary Examiner* — Marissa J Cash

*Assistant Examiner* — William B Melliar

(74) *Attorney, Agent, or Firm* — Garson & Gutierrez, PC

(57) **CLAIM**

The ornamental design for a flashlight, as shown and described.

**DESCRIPTION**

FIG. 1 is a perspective view of a flashlight, showing our new design;

FIG. 2 is a top plan view of the flashlight of FIG. 1;

FIG. 3 is a bottom plan view of the flashlight of FIG. 1;

FIG. 4 is a left side elevation view of the flashlight of FIG. 1;

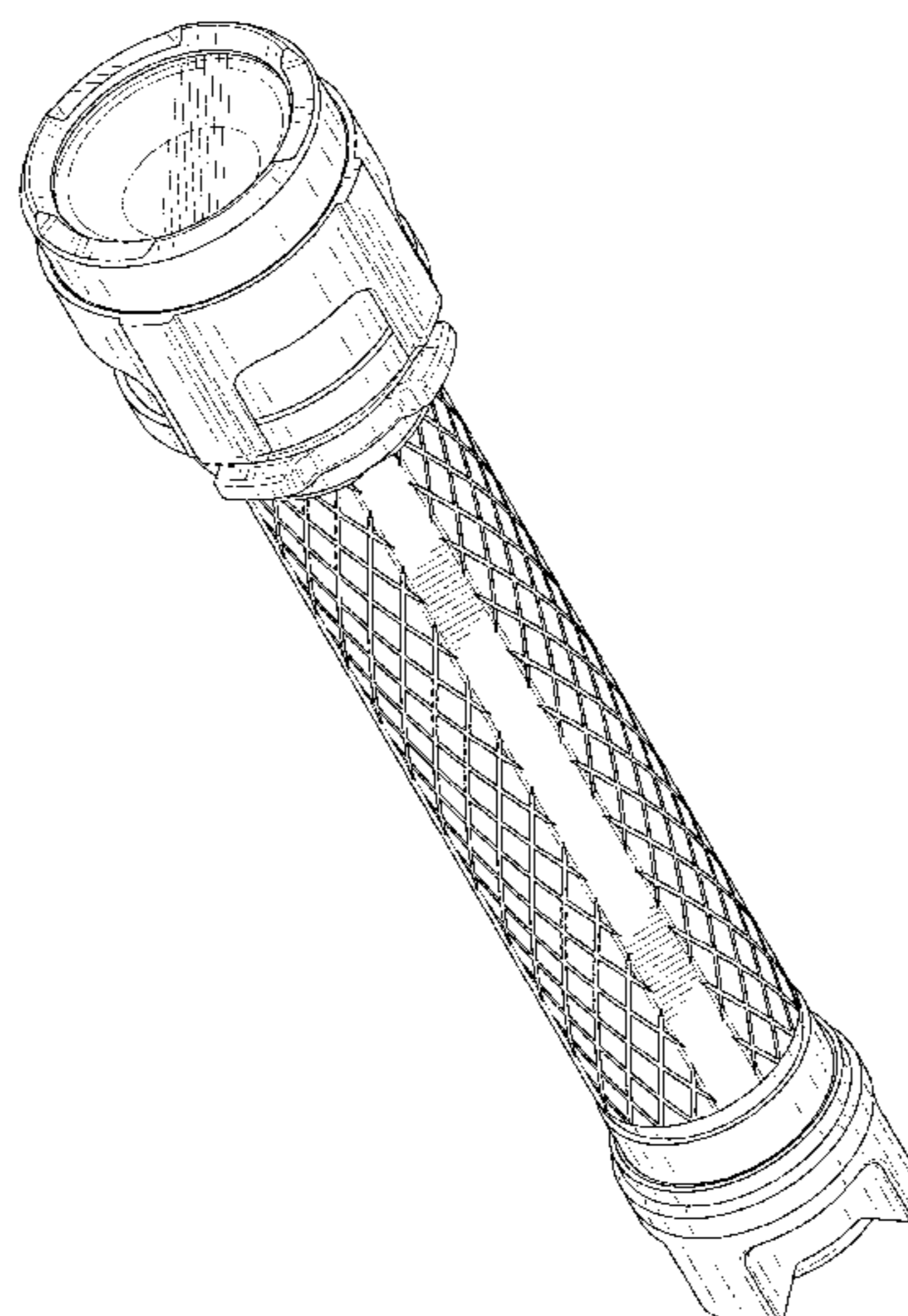
FIG. 5 is a right side elevation of the flashlight of FIG. 1;

FIG. 6 is a front side elevation view of the flashlight of FIG. 1; and,

FIG. 7 is a back side elevation view of the flashlight of FIG. 1.

The broken lines in the drawings depict portions of the flashlight that form no part of the claimed design.

**1 Claim, 4 Drawing Sheets**



(58) **Field of Classification Search**

CPC ..... 21/06; F21V 21/14; F21V 21/22; F21V 21/26; F21V 21/32; F21V 23/001; F21V 23/002; F21V 23/005; F21V 23/02; F21V 23/045; F21V 23/0492; F21V 25/04; F21V 29/15; F21V 29/503; F21V 29/508; F21V 29/713; F21V 29/763; F21V 29/767; F21V 29/89; F21V 29/90; F21V 33/00; F21V 33/0004; F21V 33/0052; F21V 3/02; F21V 5/00; F21V 5/008; F21V 5/046; F21V 5/048; F21V 5/08; F21V 7/0008; F21V 7/0083; F21V 7/04; F21V 7/041; F21V 7/06; F21V 7/22; F21V 7/24

See application file for complete search history.

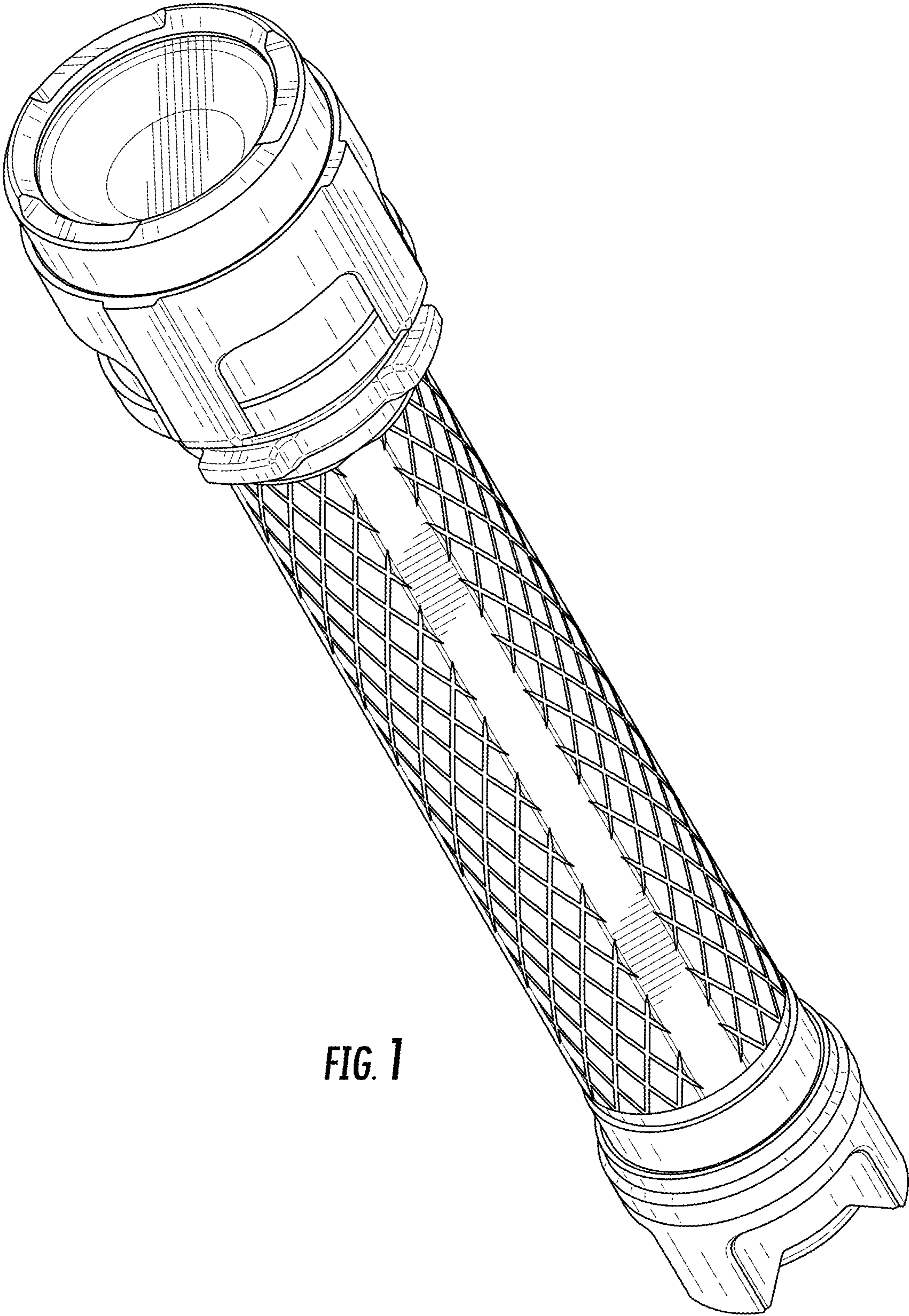
7,091,694	B1	8/2006	Barton	
D536,117	S *	1/2007	Krieger .....	D26/49
7,284,871	B2	10/2007	Oon	
7,438,431	B2	10/2008	Ford	
7,461,944	B2	12/2008	Alessio	
7,509,955	B2	3/2009	Cole	
7,568,816	B2	8/2009	Brass	
7,651,240	B2	1/2010	Bayat	
7,690,815	B2	4/2010	Dallas et al.	
7,988,318	B1	8/2011	Smith	
8,066,402	B2	11/2011	Klipstein	
8,100,540	B2	1/2012	Huebner	
8,317,357	B2	11/2012	Bayat	
8,388,167	B2	3/2013	Klipstein	
D689,226	S *	9/2013	Yeh .....	D26/46
8,591,077	B2	11/2013	Okada	
8,801,233	B2	8/2014	Lu	
9,055,670	B2	6/2015	Su et al.	
D734,520	S *	7/2015	Ma .....	D26/49
9,534,750	B2	1/2017	Pritchett	
9,562,672	B2	2/2017	Jorgensen	
9,651,222	B2	5/2017	Jorgensen	
D802,193	S *	11/2017	Green .....	D26/49
D802,195	S *	11/2017	Huang .....	D26/49
D803,444	S *	11/2017	Green .....	D26/49
10,096,805	B1	10/2018	Lewis	
D842,515	S *	3/2019	Qiu .....	D26/49
D865,250	S *	10/2019	Qiu .....	D26/49
D897,579	S *	9/2020	Le .....	D26/37
2003/0147237	A1	8/2003	Halasz	
2003/0189826	A1	10/2003	Yoon	
2004/0130891	A1	7/2004	Twardawski	
2004/0240201	A1	12/2004	Rausseck	
2005/0157492	A1	7/2005	Chiu	
2007/0030673	A1	2/2007	Hull	
2009/0040752	A1	2/2009	Dallas	
2010/0177507	A1	7/2010	West et al.	
2010/0259220	A1	10/2010	Crawford	
2012/0033416	A1	2/2012	Ballard	
2015/0159830	A1	6/2015	Joergensen	

(56) **References Cited**

U.S. PATENT DOCUMENTS

5,174,649	A	12/1992	Alston	
5,227,263	A	7/1993	Blier	
5,667,293	A	9/1997	Own	
5,931,562	A	8/1999	Arato	
5,971,562	A	10/1999	Yang	
6,046,572	A	4/2000	Matthews et al.	
6,238,818	B1	5/2001	Dalton	
6,303,248	B1	10/2001	Peterson	
6,394,622	B1	5/2002	Macek	
6,443,594	B1	9/2002	Marshall	
6,485,160	B1	12/2002	Sommers	
6,773,139	B2	8/2004	Sommers	
6,802,622	B2	10/2004	Hsien	
6,841,941	B2	1/2005	Kim	
6,851,828	B1	2/2005	Hansen	
D518,213	S *	3/2006	Ping .....	D26/44
D521,667	S *	5/2006	Chean .....	D26/37
7,048,408	B2	5/2006	Dallas	
7,083,297	B2	8/2006	Matthews	

\* cited by examiner



**FIG. 1**

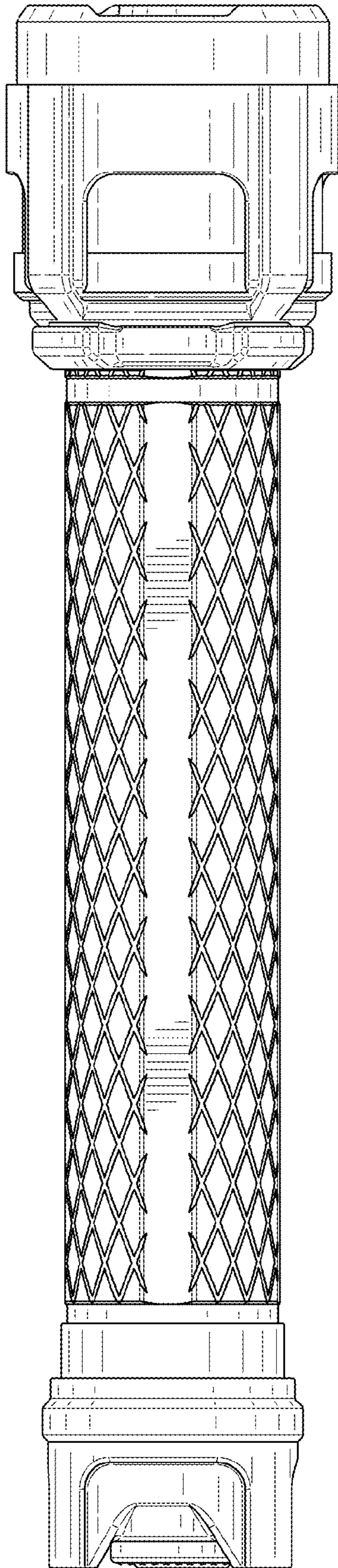


FIG. 2

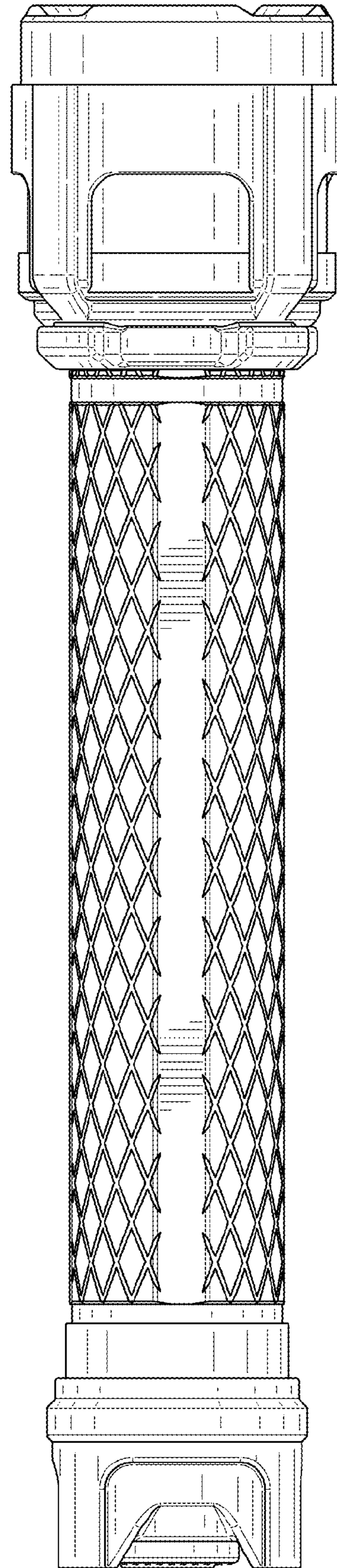


FIG. 3

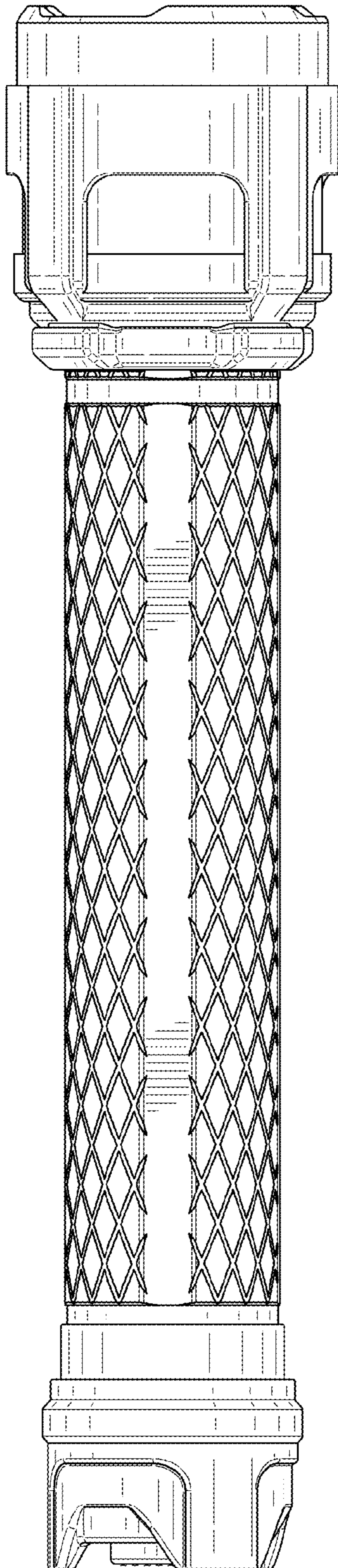


FIG. 4

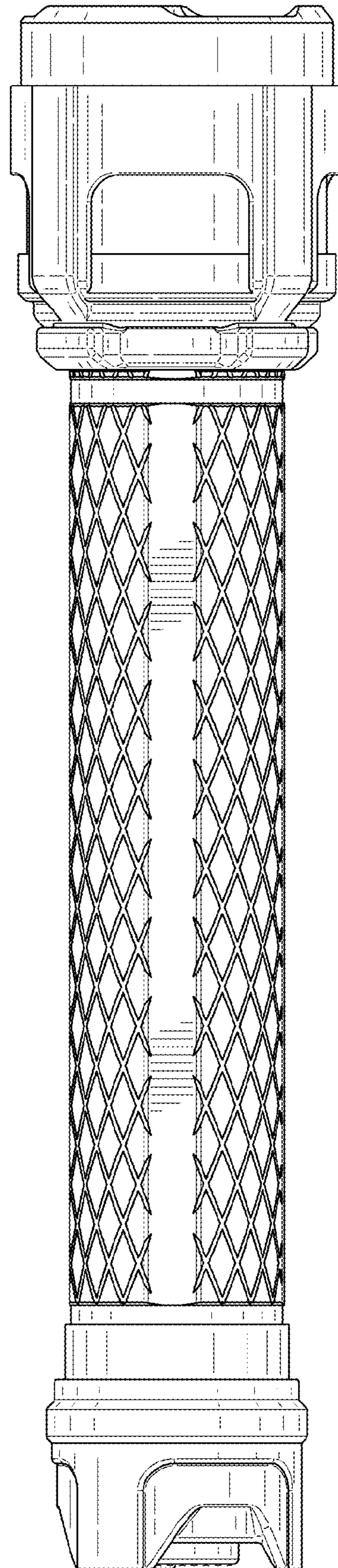
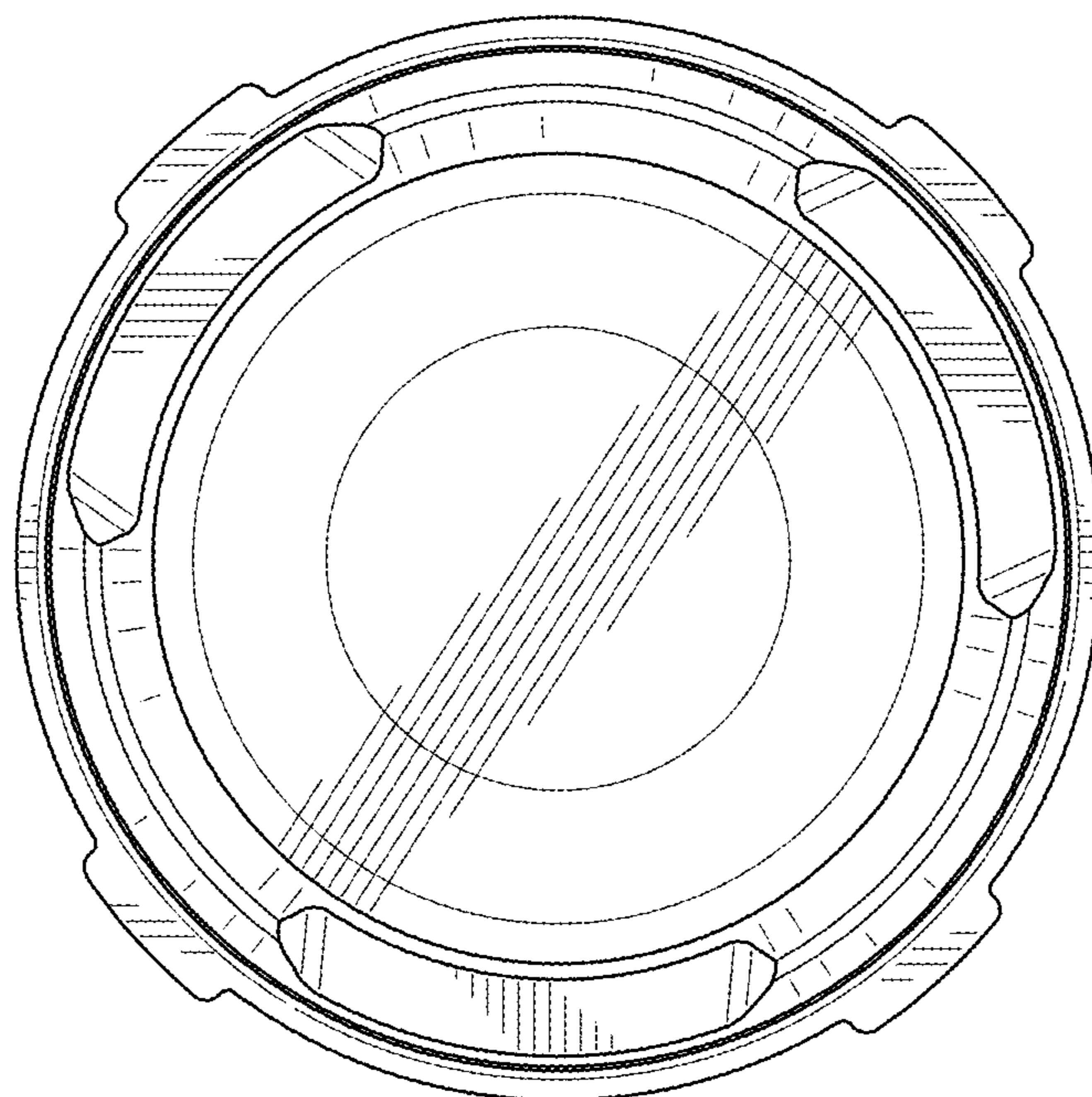
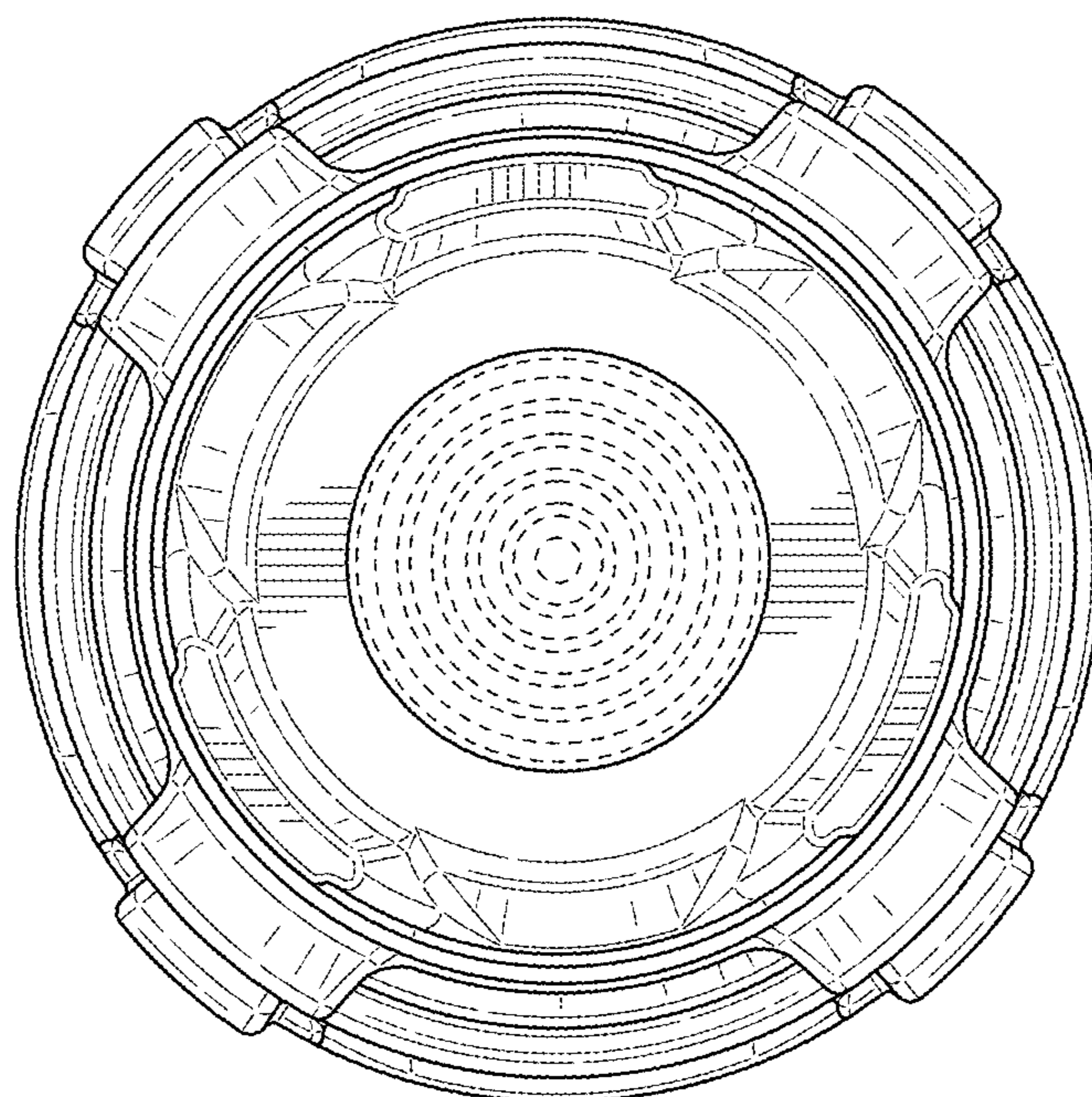


FIG. 5



**FIG. 6**



**FIG. 7**