



US00D970071S

(12) **United States Design Patent**
Li

(10) **Patent No.:** **US D970,071 S**

(45) **Date of Patent:** **** Nov. 15, 2022**

(54) **FLASHLIGHT**

D605,797 S * 12/2009 Baker D26/48
D616,580 S * 5/2010 Bertken D26/48
D638,561 S * 5/2011 Sun D26/48

(71) Applicant: **Haixia Li**, Shenzhen (CN)

(72) Inventor: **Haixia Li**, Shenzhen (CN)

(73) Assignee: **Shenzhen Yizhiyuan Technology Co., LTD**, Shenzhen (CN)

(**) Term: **15 Years**

(21) Appl. No.: **29/747,128**

(22) Filed: **Aug. 20, 2020**

(51) **LOC (13) Cl.** **26-02**

(52) **U.S. Cl.**
USPC **D26/48**

(58) **Field of Classification Search**
USPC D26/24, 37-52, 113, 138
CPC F21Y 2115/10; F21Y 2101/00; F21Y 2113/13; F21Y 2113/17; F21Y 2103/10; F21V 23/0414; F21V 15/01; F21V 21/0885; F21V 14/045; F21V 14/025; F21V 21/145; F21V 21/406; F21V 19/02; F21V 21/0965; F21V 5/006; F21V 21/08; F21V 21/30; F21V 14/065; F21V 33/0064; F21V 23/0407; F21V 5/04; F21V 7/0075; F21V 9/083; F21V 13/045; F21V 33/0004; F21V 19/006; F21V 17/04; F21L 4/005; F21L 4/027; F21L 4/00; F21L 4/085; F21L 4/045; F21L 2001/00

See application file for complete search history.

(56) **References Cited**

U.S. PATENT DOCUMENTS

D376,863 S * 12/1996 Yuen D26/48
D545,470 S * 6/2007 Devany D26/46

OTHER PUBLICATIONS

Rechargeable Spotlight. By Cybbo. Dated Nov. 14, 2019. Found online [Apr. 4, 2022]. <https://www.amazon.com/Rechargeable-Spotlight-Flashlight-Waterproof-Searchlight/dp/B081H9GQ6V> (Year: 2019).*

Super Bright Rechargeable Spotlight. By Geprosma. Dated Jun. 26, 2019. Found online [Apr. 4, 2022]. <https://www.amazon.com/Rechargeable-Spotlight-Flashlight-Searchlight-Waterproof/dp/B07SCXQDQZ> (Year: 2019).*

* cited by examiner

Primary Examiner — Marissa J Cash
Assistant Examiner — William B Melliar

(57) **CLAIM**

The ornamental design for a flashlight, as shown and described.

DESCRIPTION

FIG. 1 is a front perspective view of a flashlight showing my new design;

FIG. 2 is a rear perspective view thereof;

FIG. 3 is a front elevational view thereof;

FIG. 4 is a rear elevational view thereof;

FIG. 5 is a left side elevational view thereof;

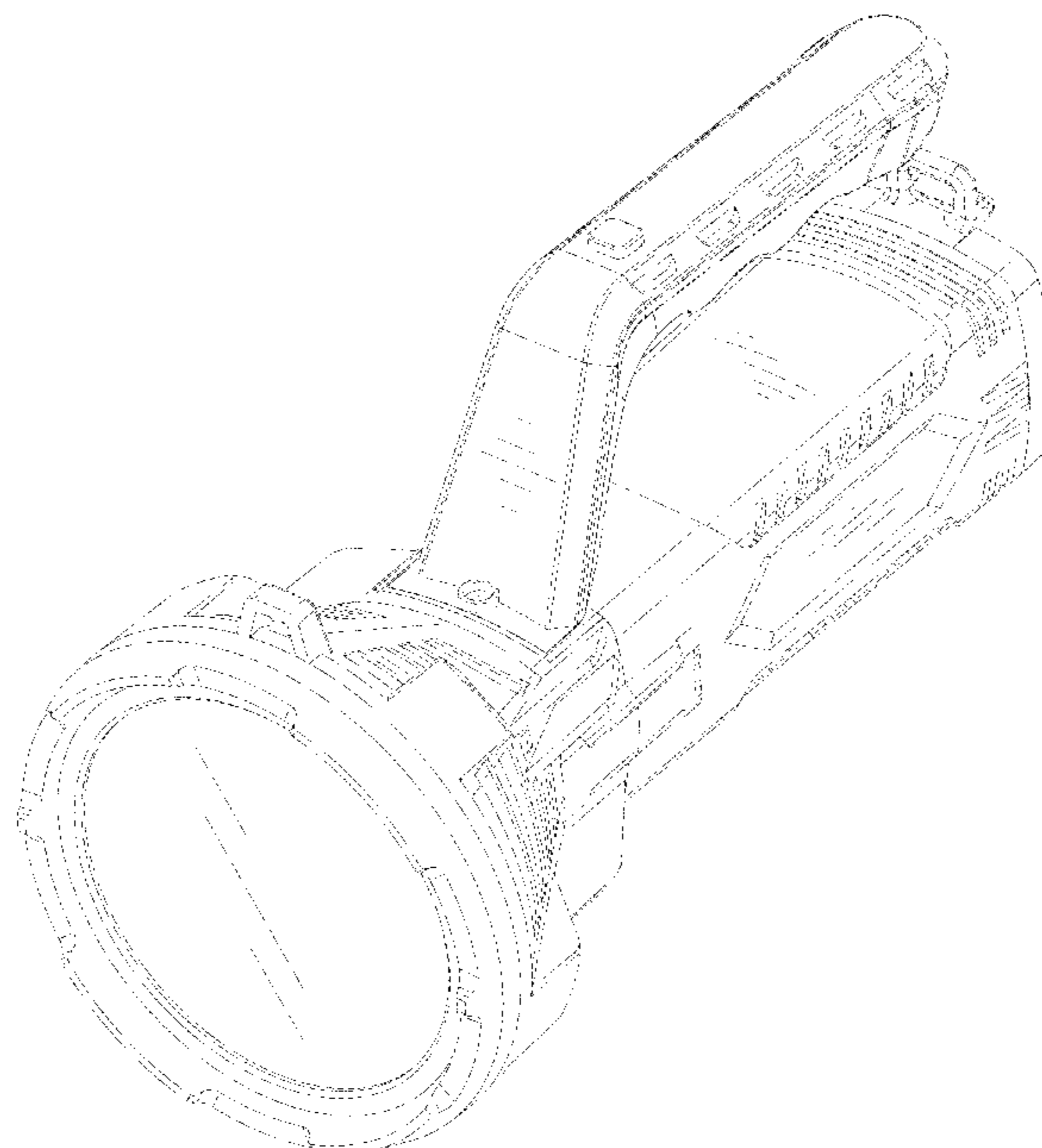
FIG. 6 is a right side elevational view thereof;

FIG. 7 is a top plan view thereof; and,

FIG. 8 is a bottom plan view thereof.

The broken lines in the drawings depict portions of the flashlight that form no part of the claimed design.

1 Claim, 8 Drawing Sheets



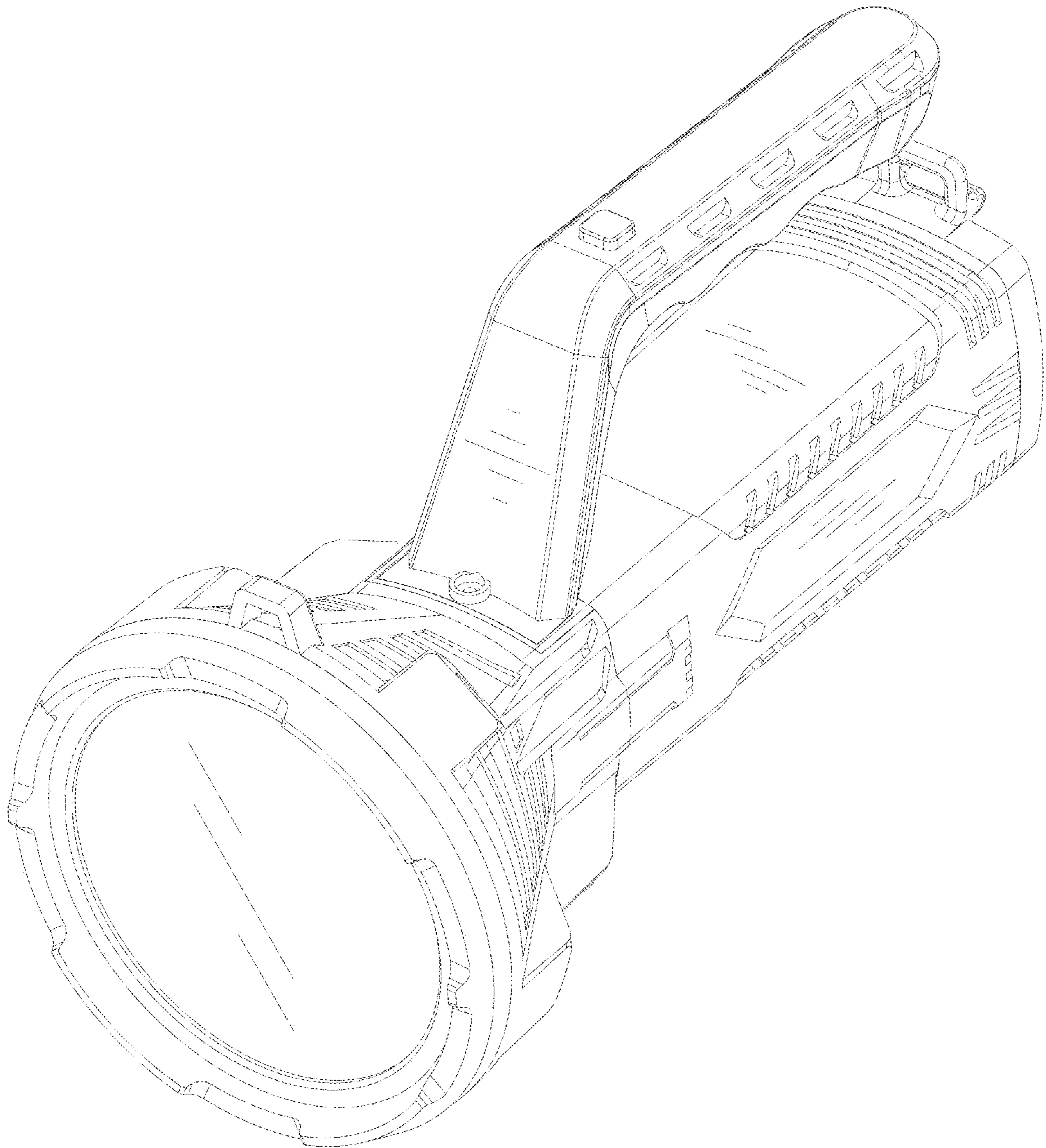


FIG. 1

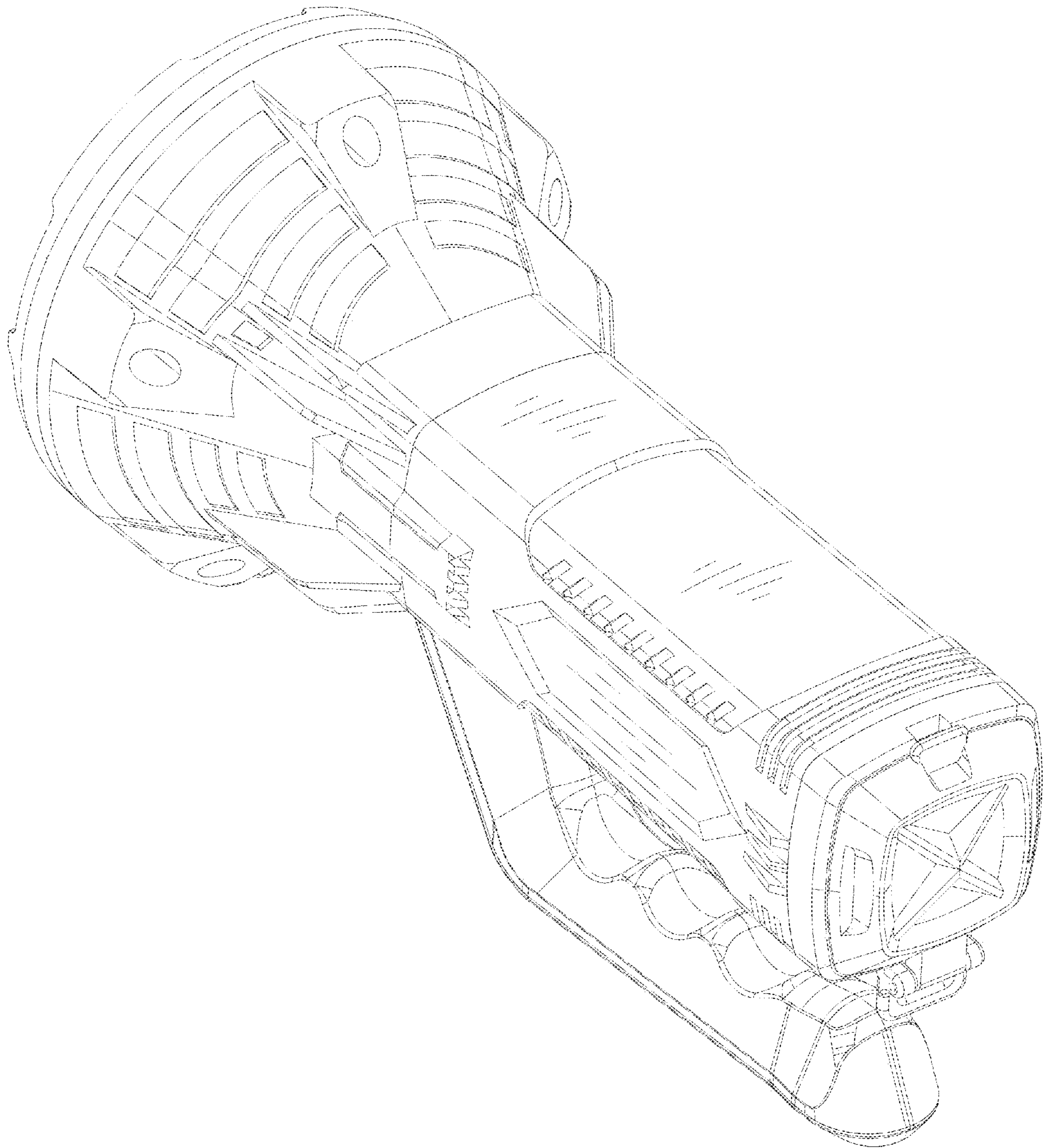


FIG. 2

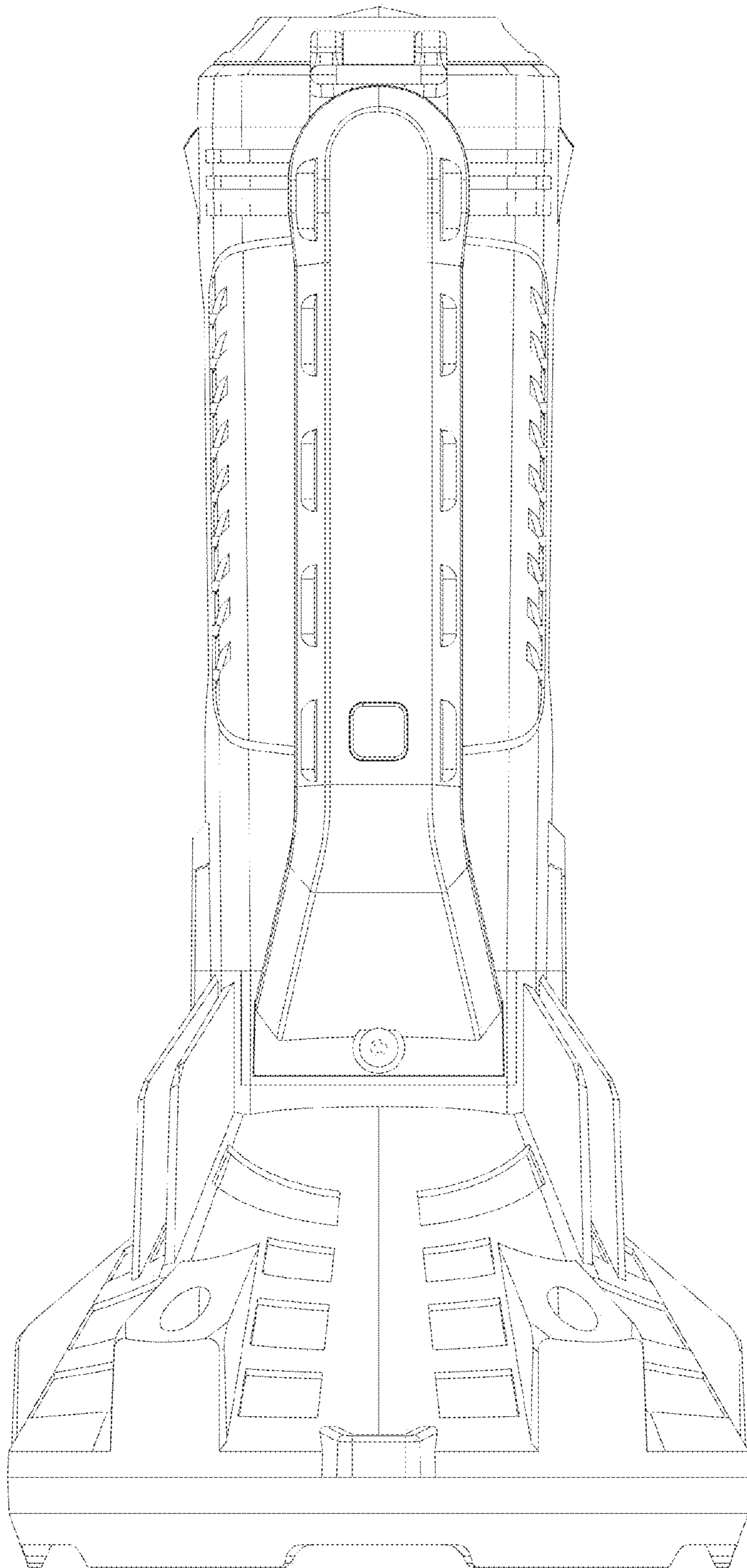


FIG. 3

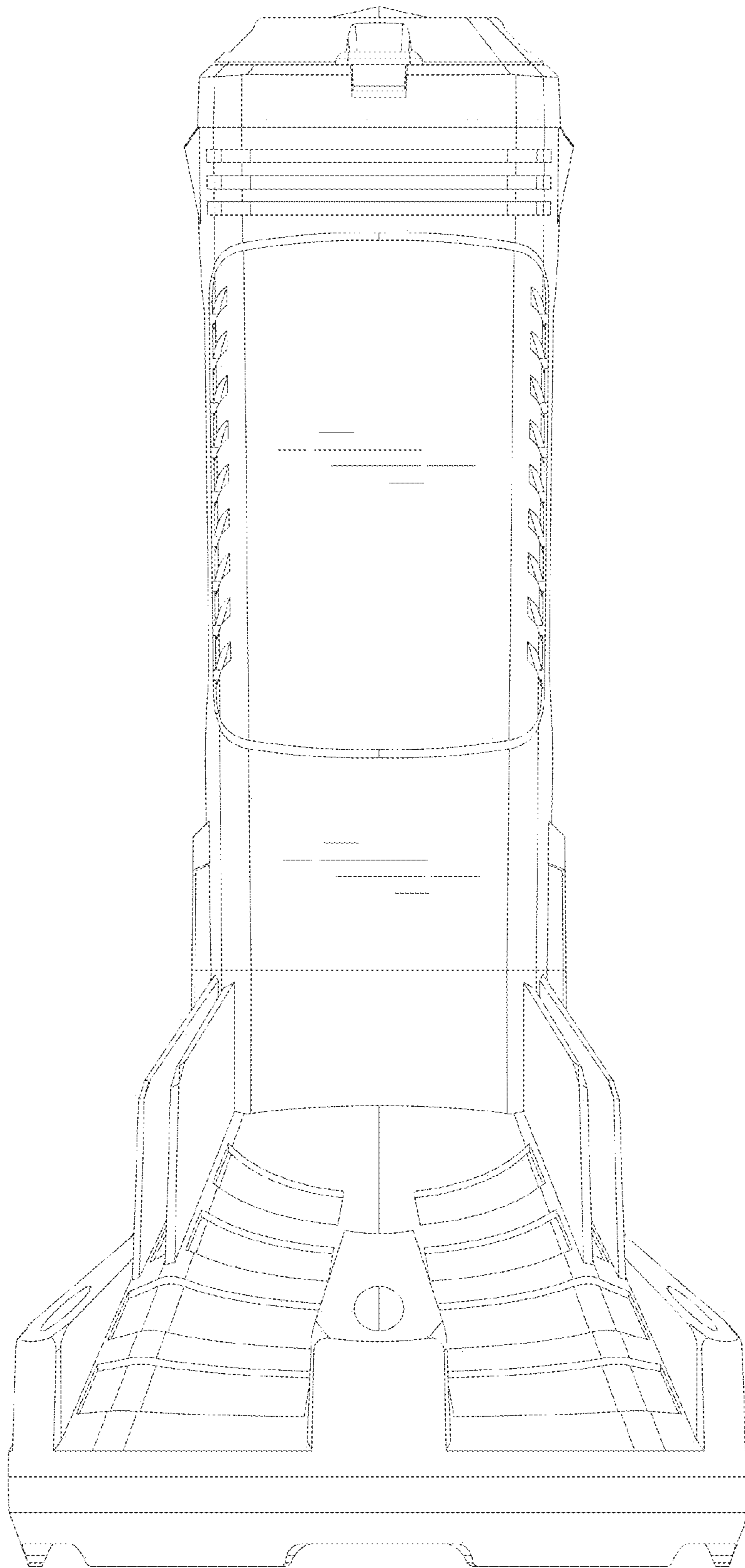


FIG. 4

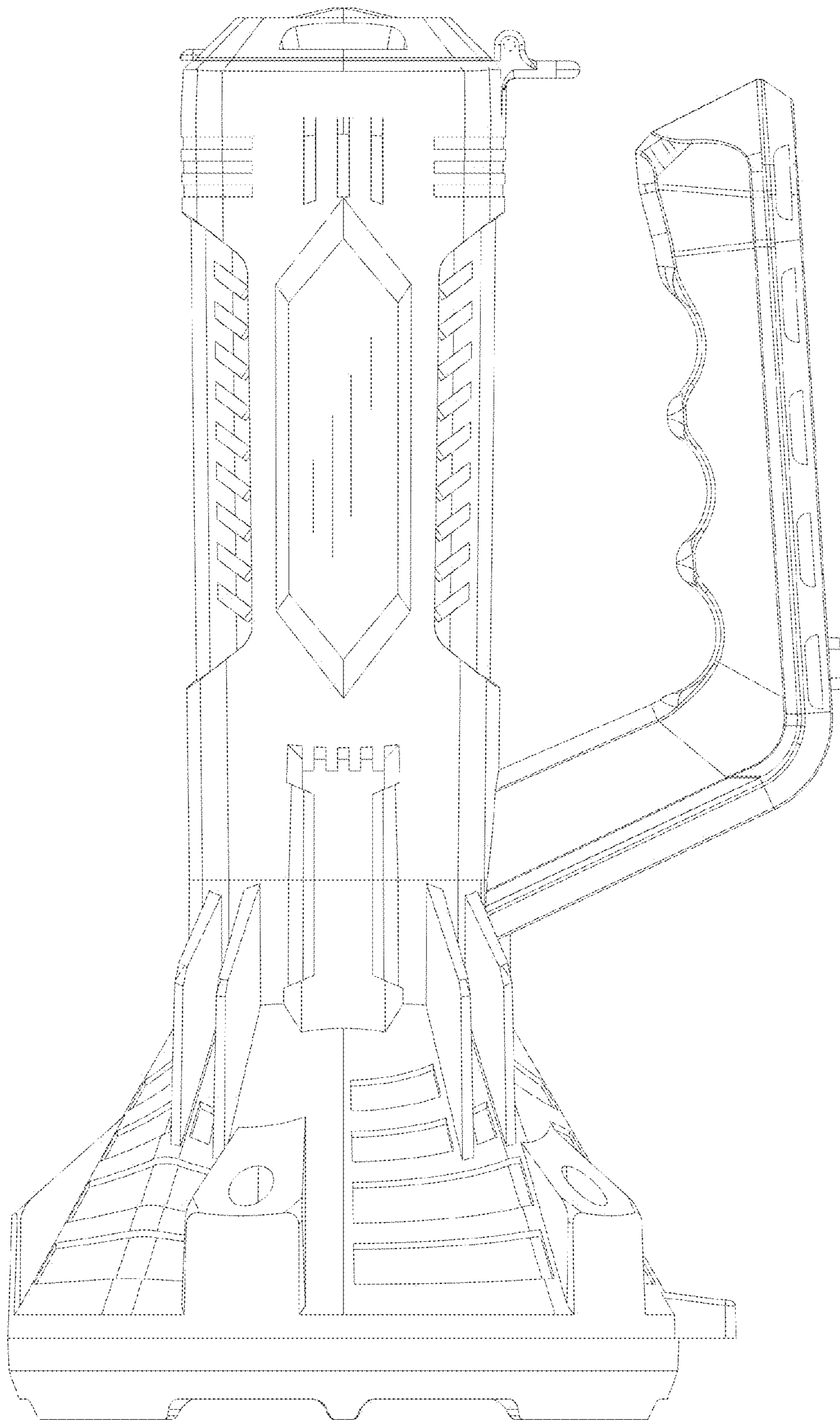


FIG. 5

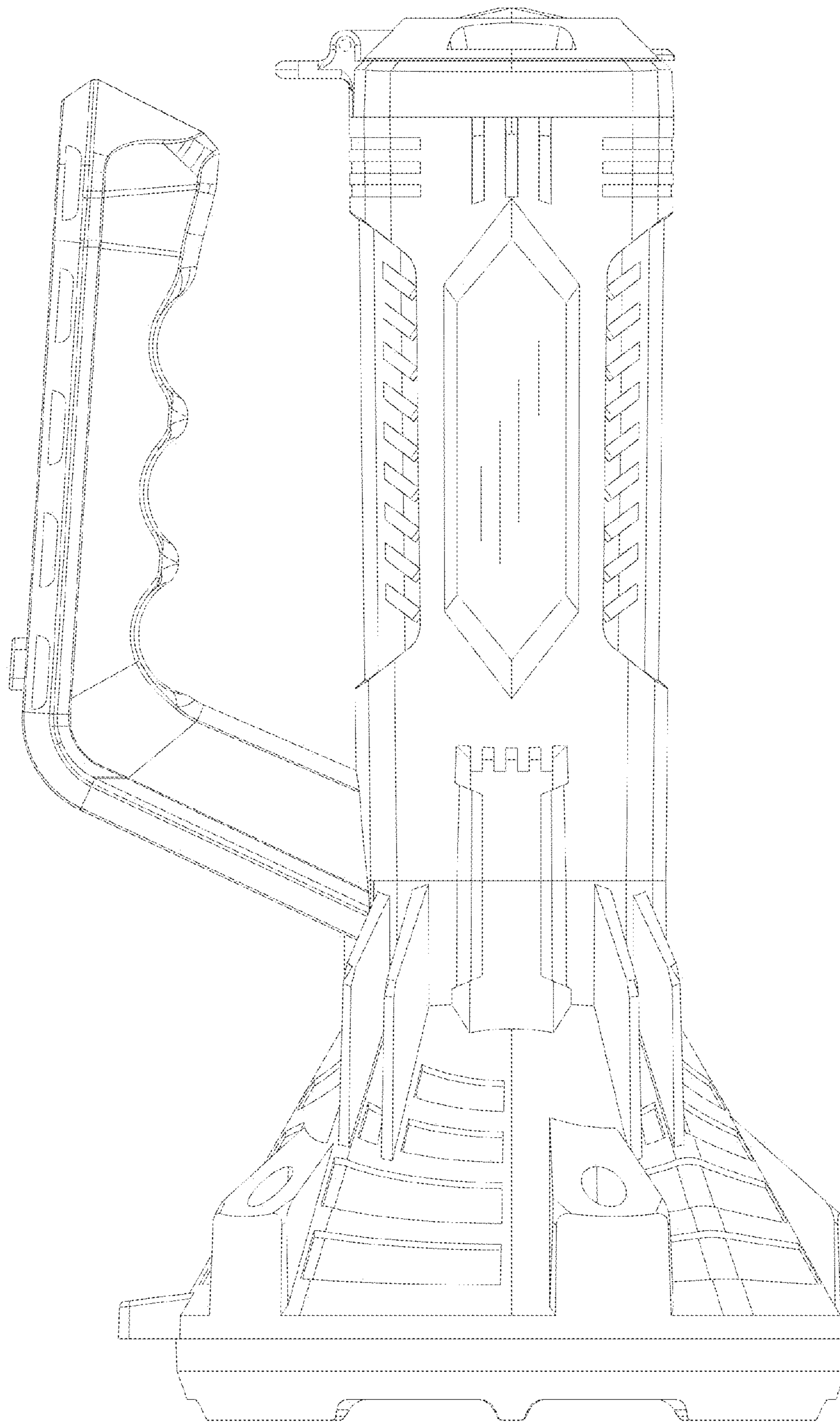


FIG. 6

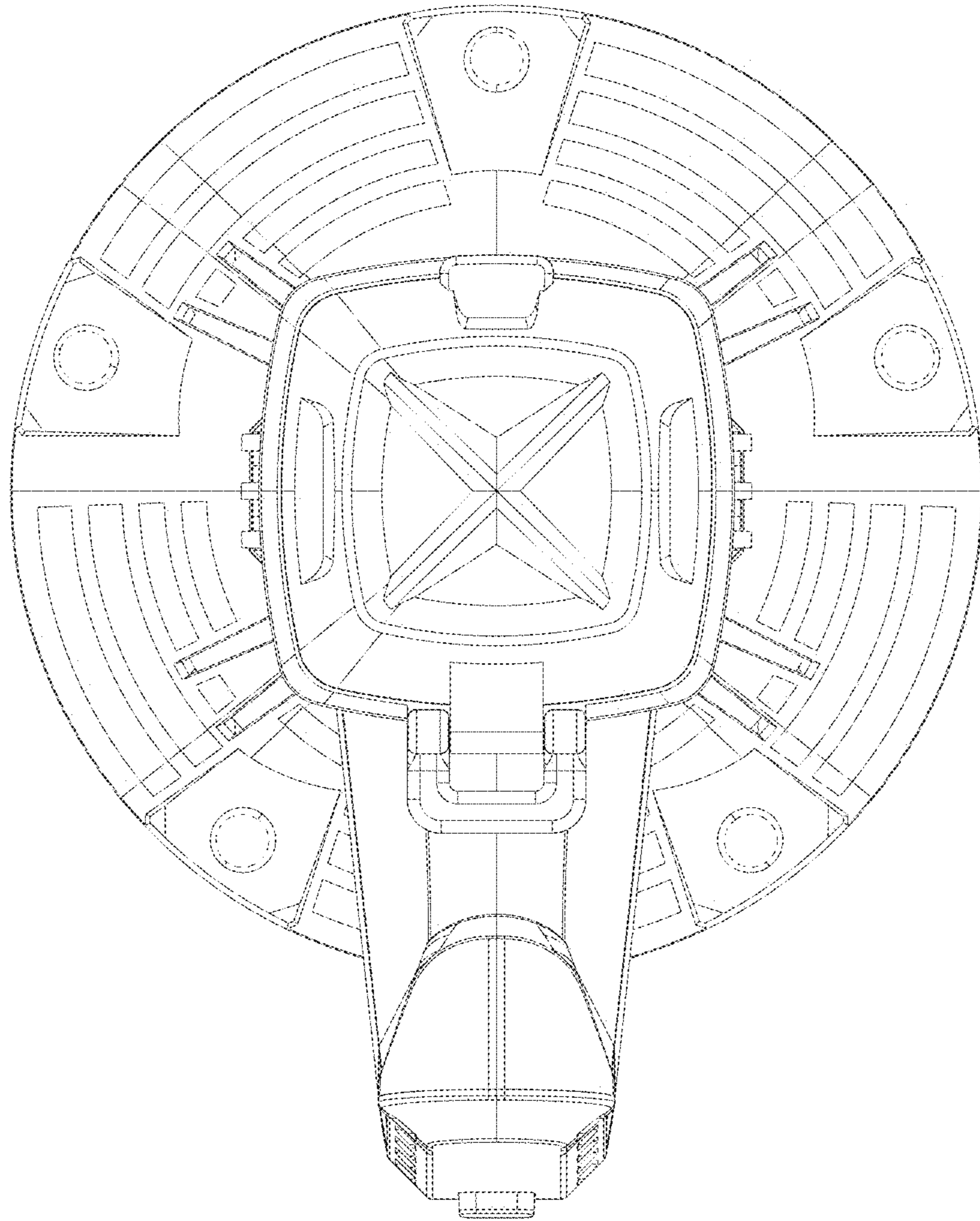


FIG. 7

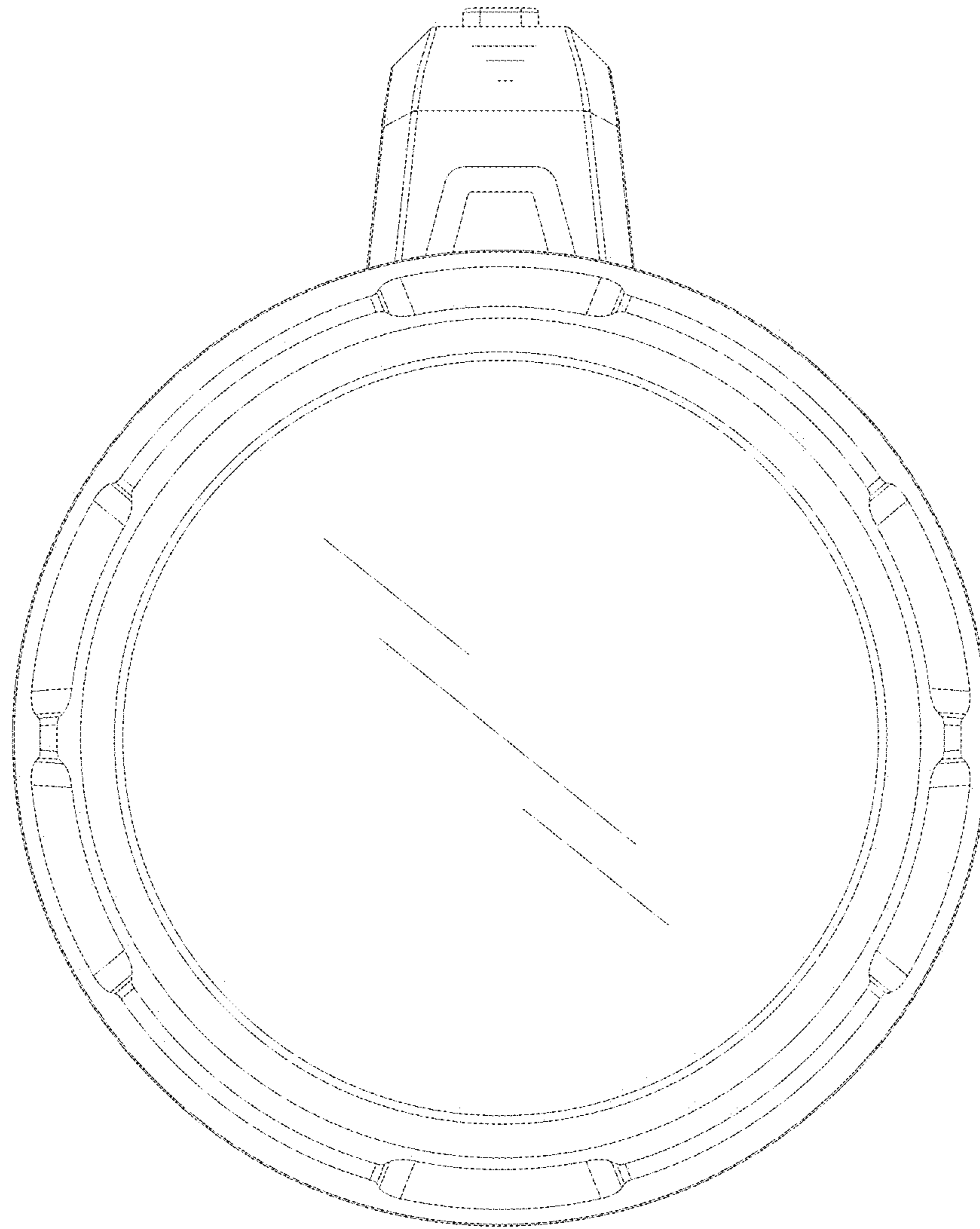


FIG. 8