



US00D970070S

(12) **United States Design Patent** (10) **Patent No.:** **US D970,070 S**
Li (45) **Date of Patent:** **** Nov. 15, 2022**

(54) **FLASHLIGHT**
(71) Applicant: **Haixia Li**, Shenzhen (CN)
(72) Inventor: **Haixia Li**, Shenzhen (CN)
(73) Assignee: **Shenzhen Yizhiyuan Technology Co., LTD**, Shenzhen (CN)

D603,540 S * 11/2009 Shum D26/45
D628,326 S * 11/2010 Ng D26/45
D702,383 S * 4/2014 Inskeep D26/45
D711,029 S * 8/2014 Schnell D26/45
D754,380 S * 4/2016 Inskeep D26/45
D788,341 S * 5/2017 Inskeep D26/45
D849,296 S * 5/2019 Inskeep D26/45
D923,839 S * 6/2021 Tschopp D26/45
D939,743 S * 12/2021 Yang F21L 4/00
D26/37

(**) Term: **15 Years**

* cited by examiner

(21) Appl. No.: **29/754,298**

Primary Examiner — Marissa J Cash
Assistant Examiner — William B Melliar

(22) Filed: **Oct. 9, 2020**

(51) **LOC (13) Cl.** **26-02**

(52) **U.S. Cl.**
USPC **D26/45**

(57) **CLAIM**

(58) **Field of Classification Search**
USPC D26/24, 37-52, 113, 138
CPC F21Y 2115/10; F21Y 2101/00; F21Y 2113/13; F21Y 2113/17; F21Y 2103/10; F21V 23/0414; F21V 15/01; F21V 21/0885; F21V 14/045; F21V 14/025; F21V 21/145; F21V 21/406; F21V 19/02; F21V 21/0965; F21V 5/006; F21V 21/08; F21V 21/30; F21V 14/065; F21V 33/0064; F21V 23/0407; F21V 5/04; F21V 7/0075; F21V 9/083; F21V 13/045; F21V 33/0004; F21V 19/006; F21V 17/04; F21L 4/005; F21L 4/027; F21L 4/00; F21L 4/085; F21L 4/045; F21L 2001/00

The ornamental design for a flashlight, as shown and described.

See application file for complete search history.

DESCRIPTION

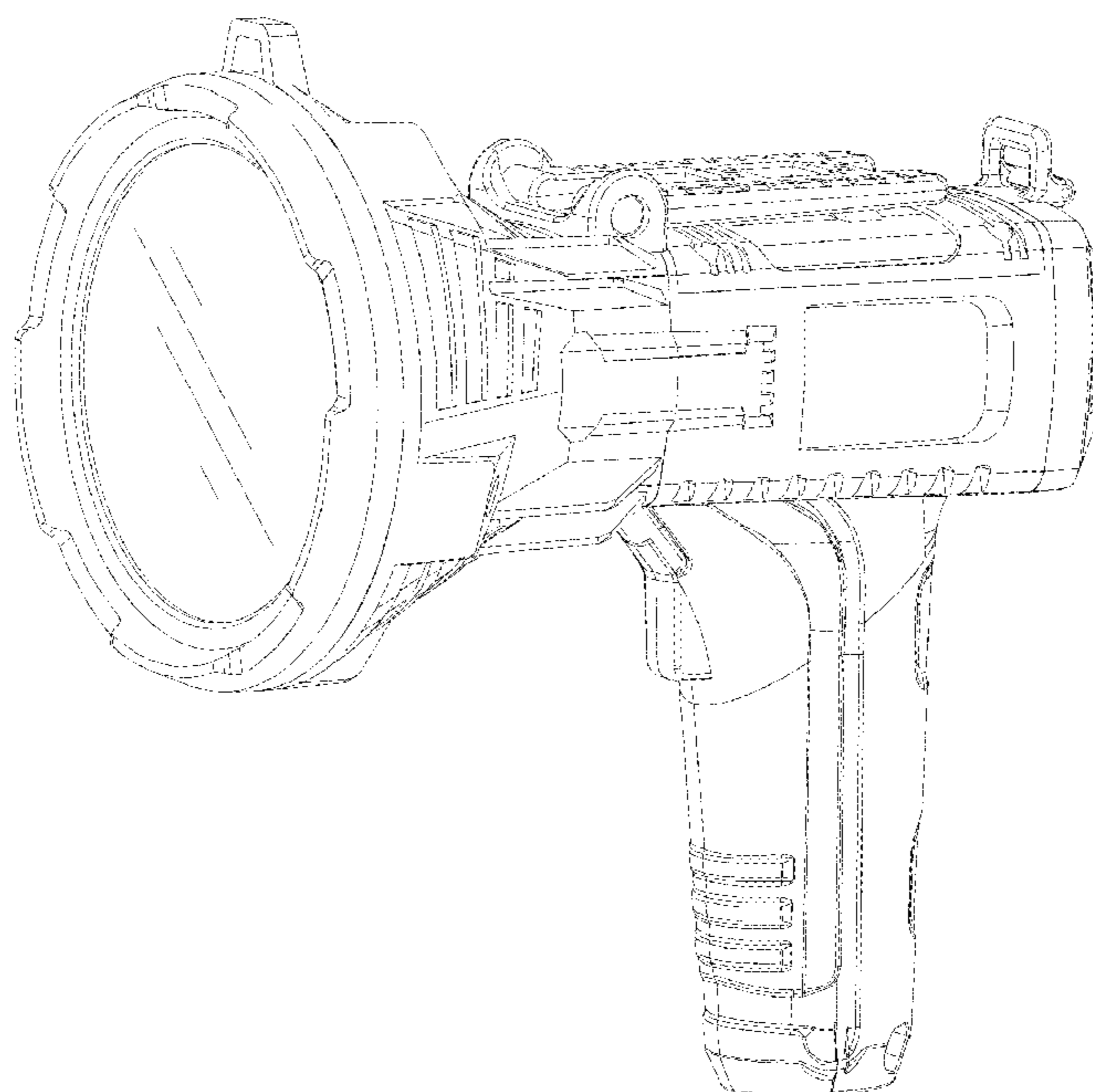
(56) **References Cited**

FIG. 1 is a front perspective view of a flashlight showing my new design;
FIG. 2 is a rear, right side perspective view thereof;
FIG. 3 is a front, right side perspective view thereof;
FIG. 4 is a front elevational view thereof;
FIG. 5 is a rear elevational view thereof;
FIG. 6 is a left side elevational view thereof;
FIG. 7 is a right side elevational view thereof;
FIG. 8 is a top plan view thereof;
FIG. 9 is a bottom plan view thereof; and,
FIG. 10 is a front perspective view of the flashlight shown in an alternate configuration of use.
The broken lines in the drawings depict portions of the flashlight that form no part of the claimed design.

U.S. PATENT DOCUMENTS

D462,470 S * 9/2002 Krieger D26/45
D525,735 S * 7/2006 Krieger D26/45

1 Claim, 10 Drawing Sheets



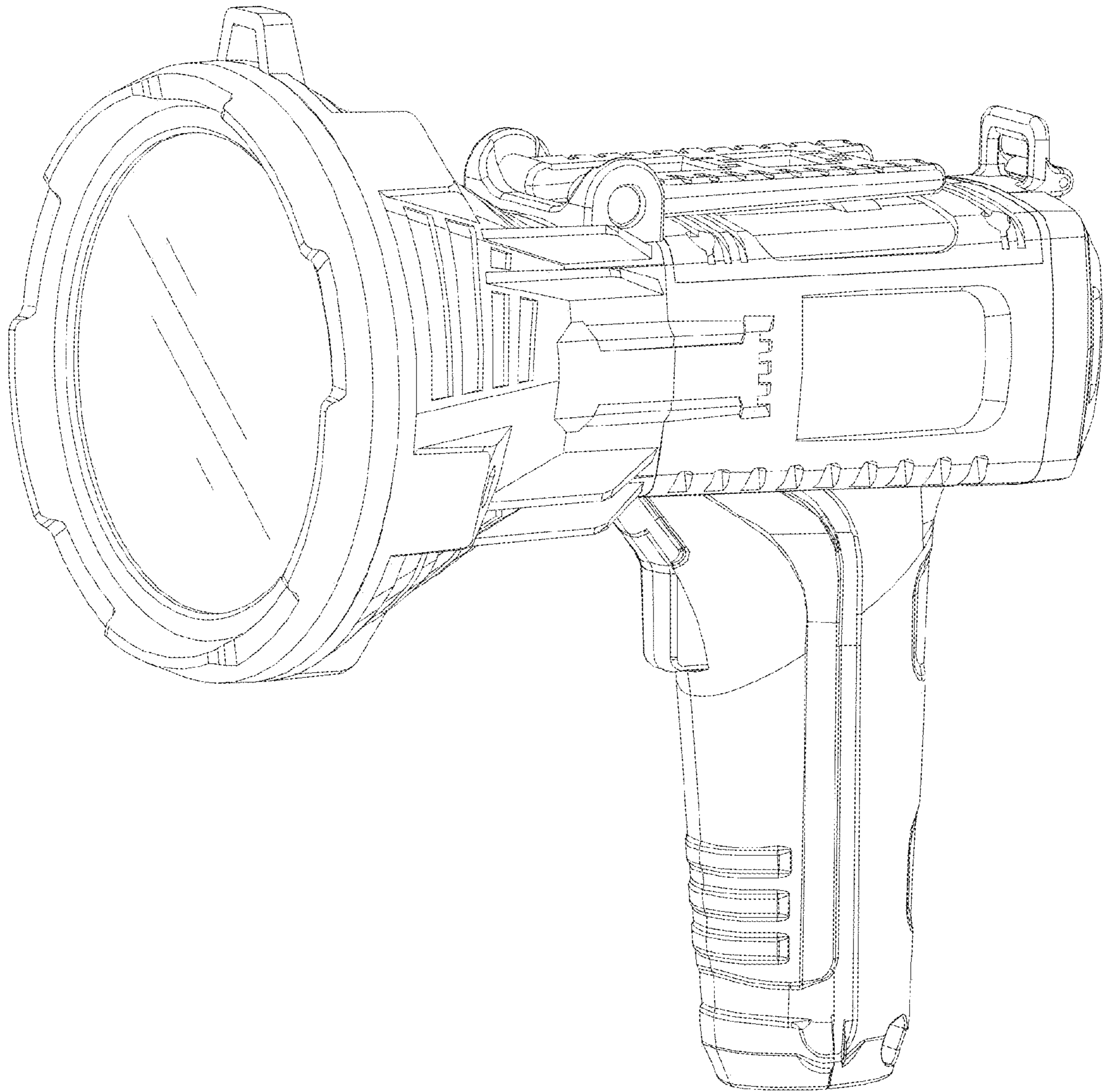


FIG. 1

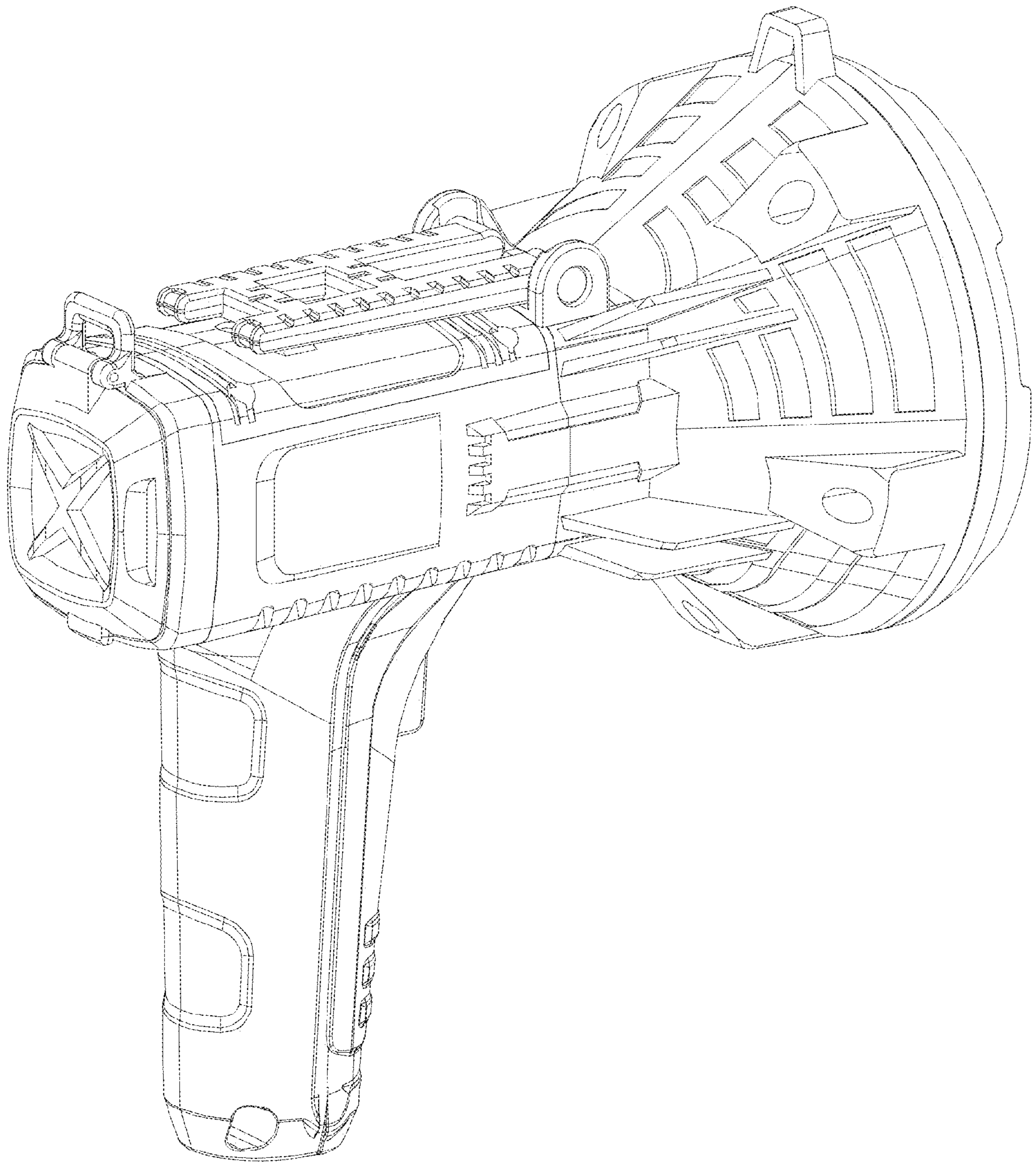


FIG. 2

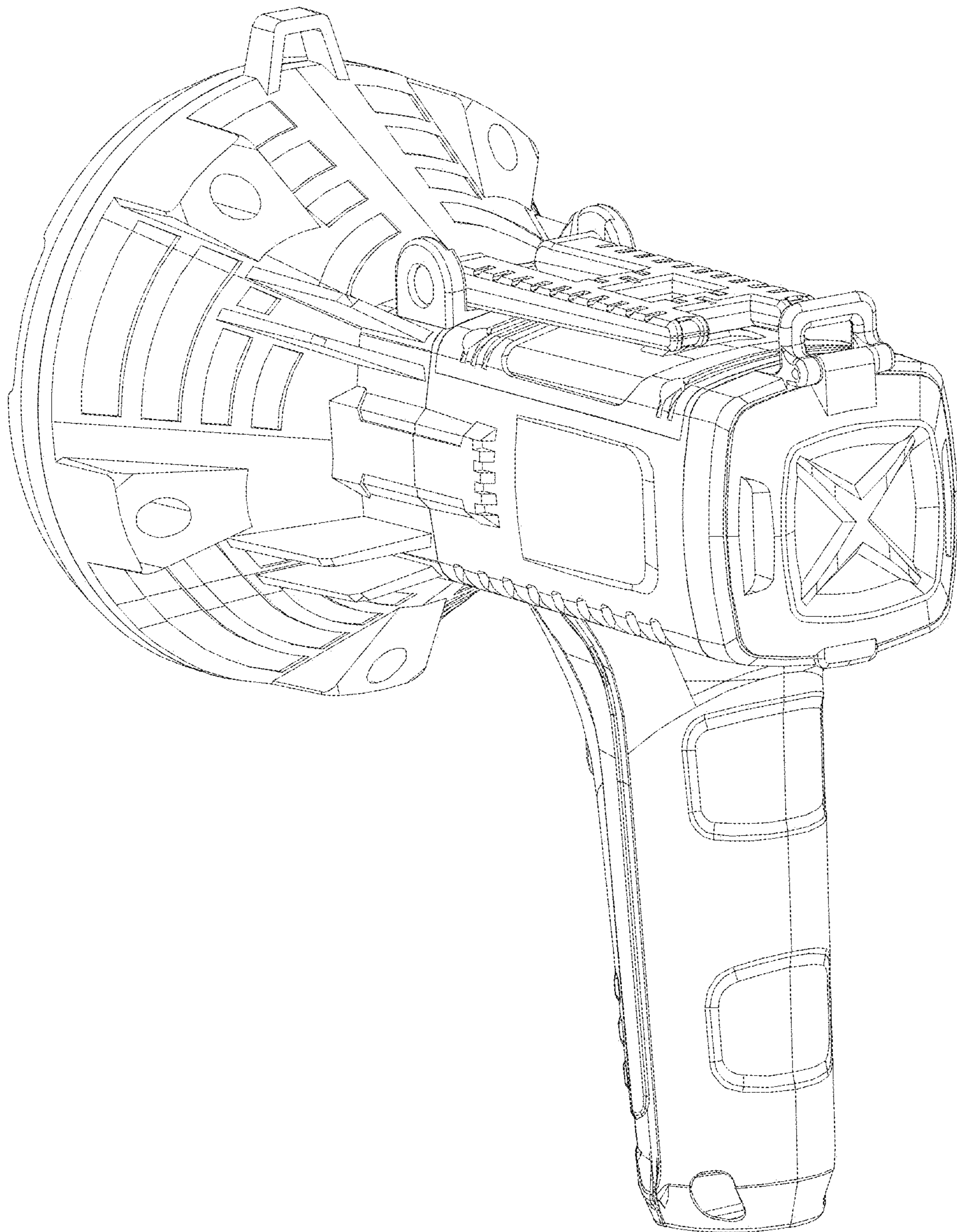


FIG. 3

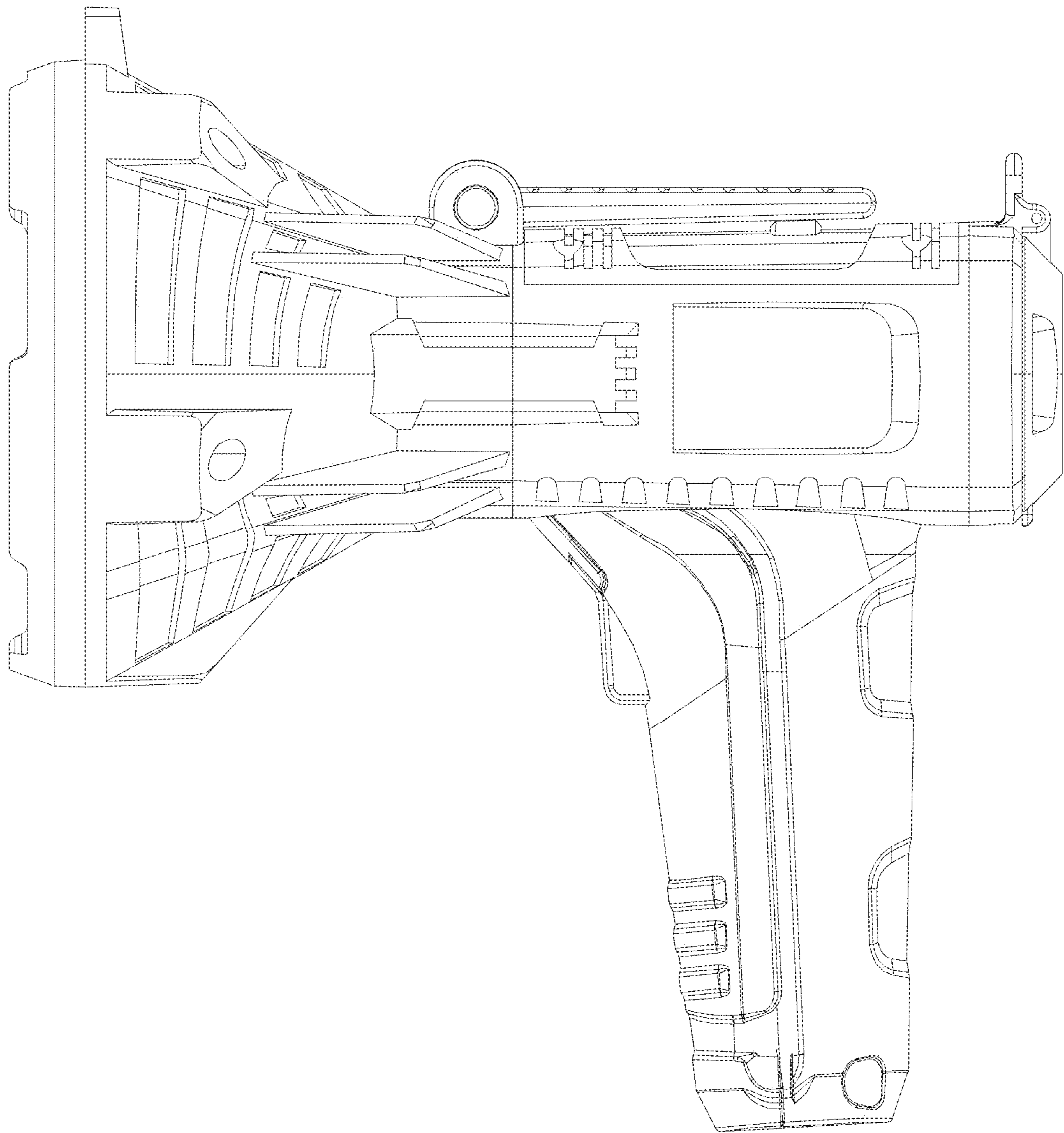


FIG. 4

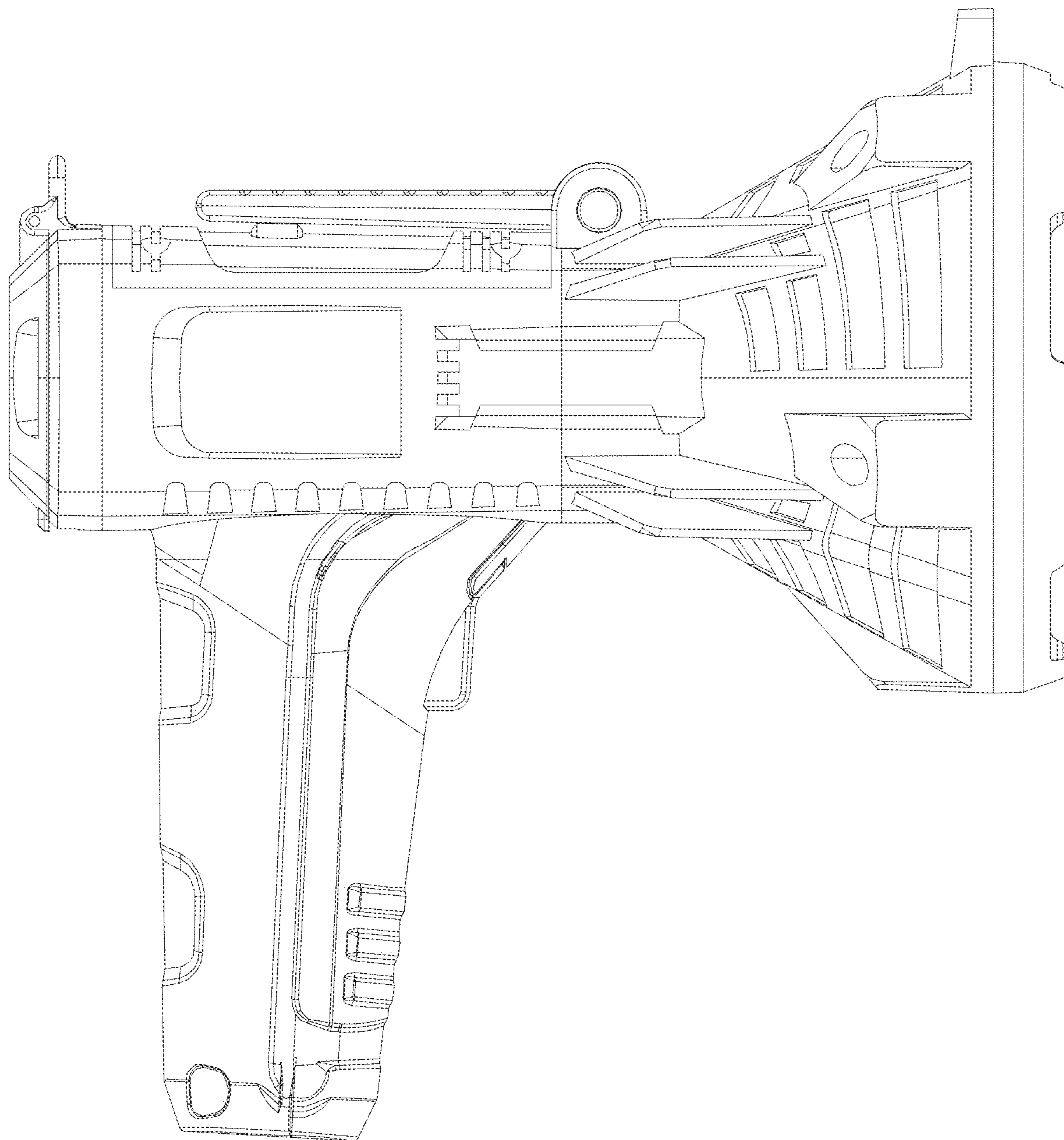


FIG. 5

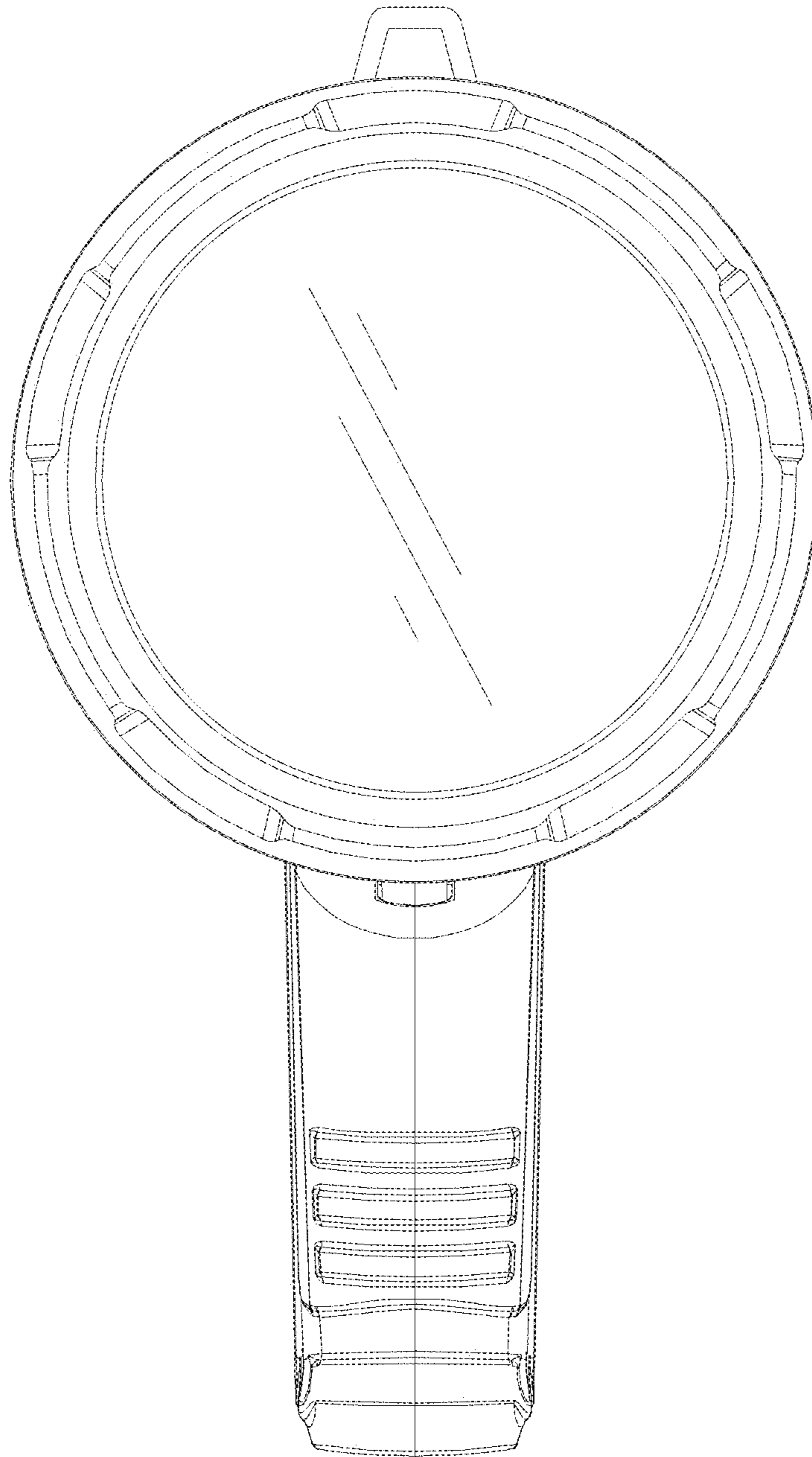


FIG. 6

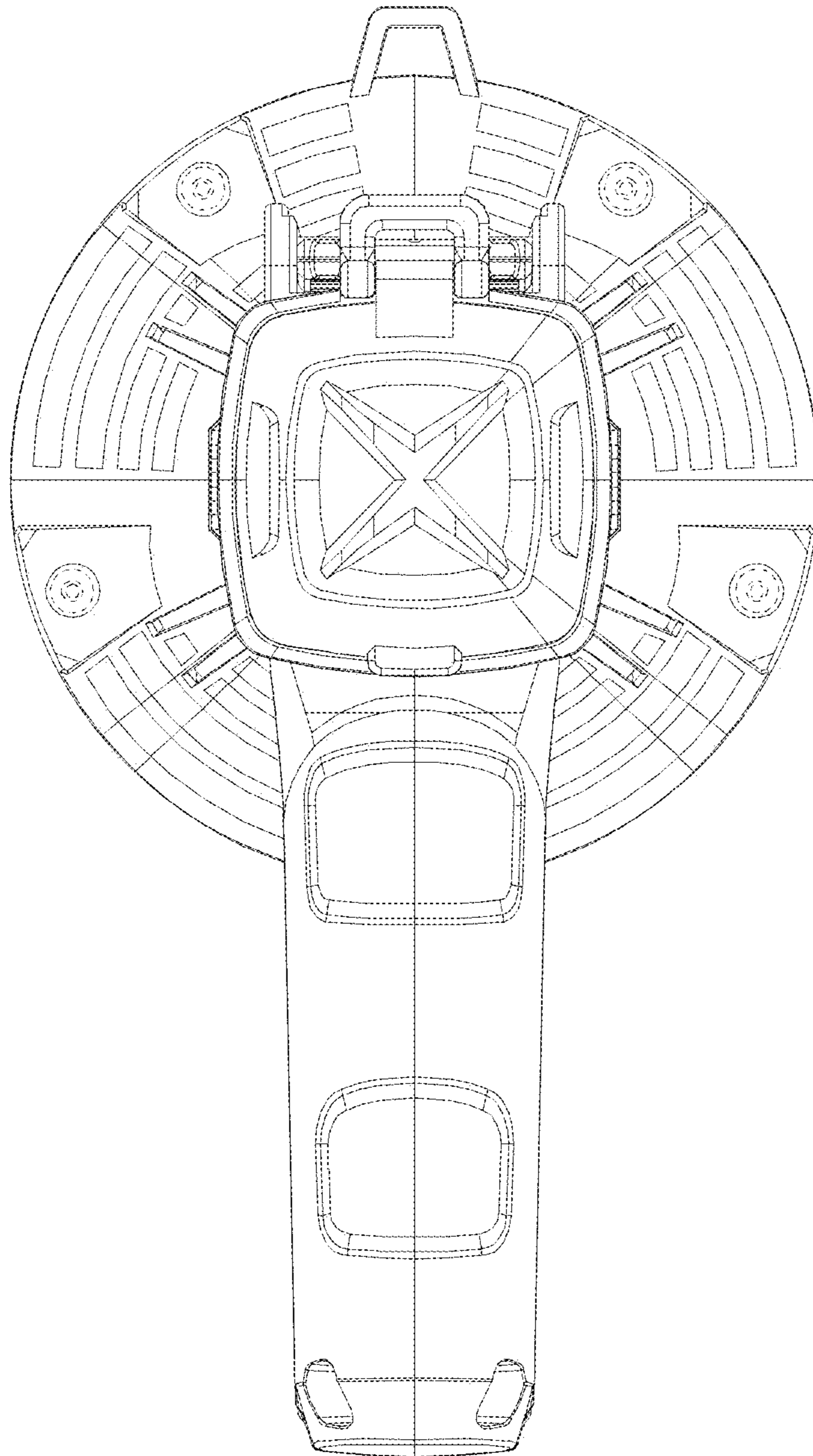


FIG. 7

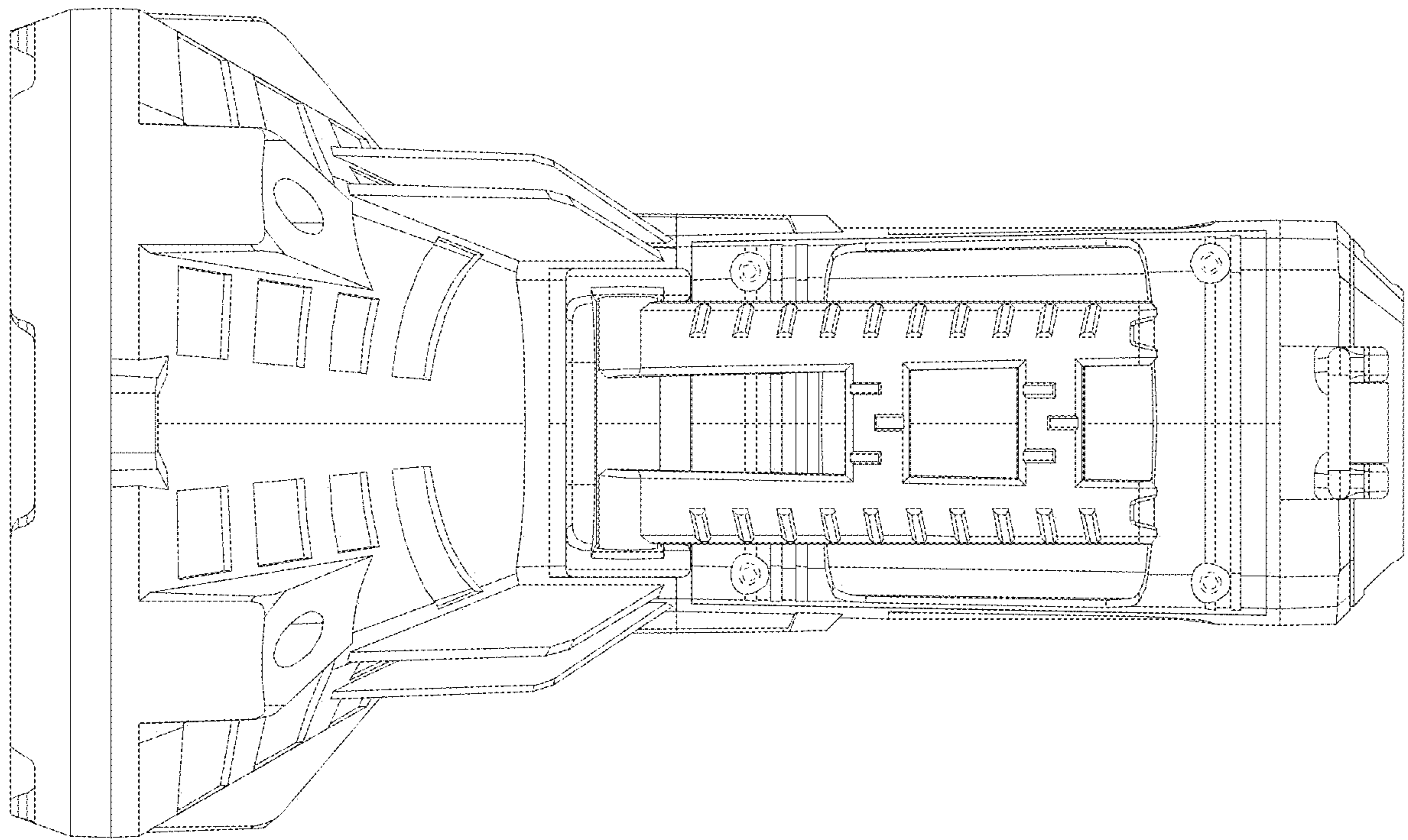


FIG. 8

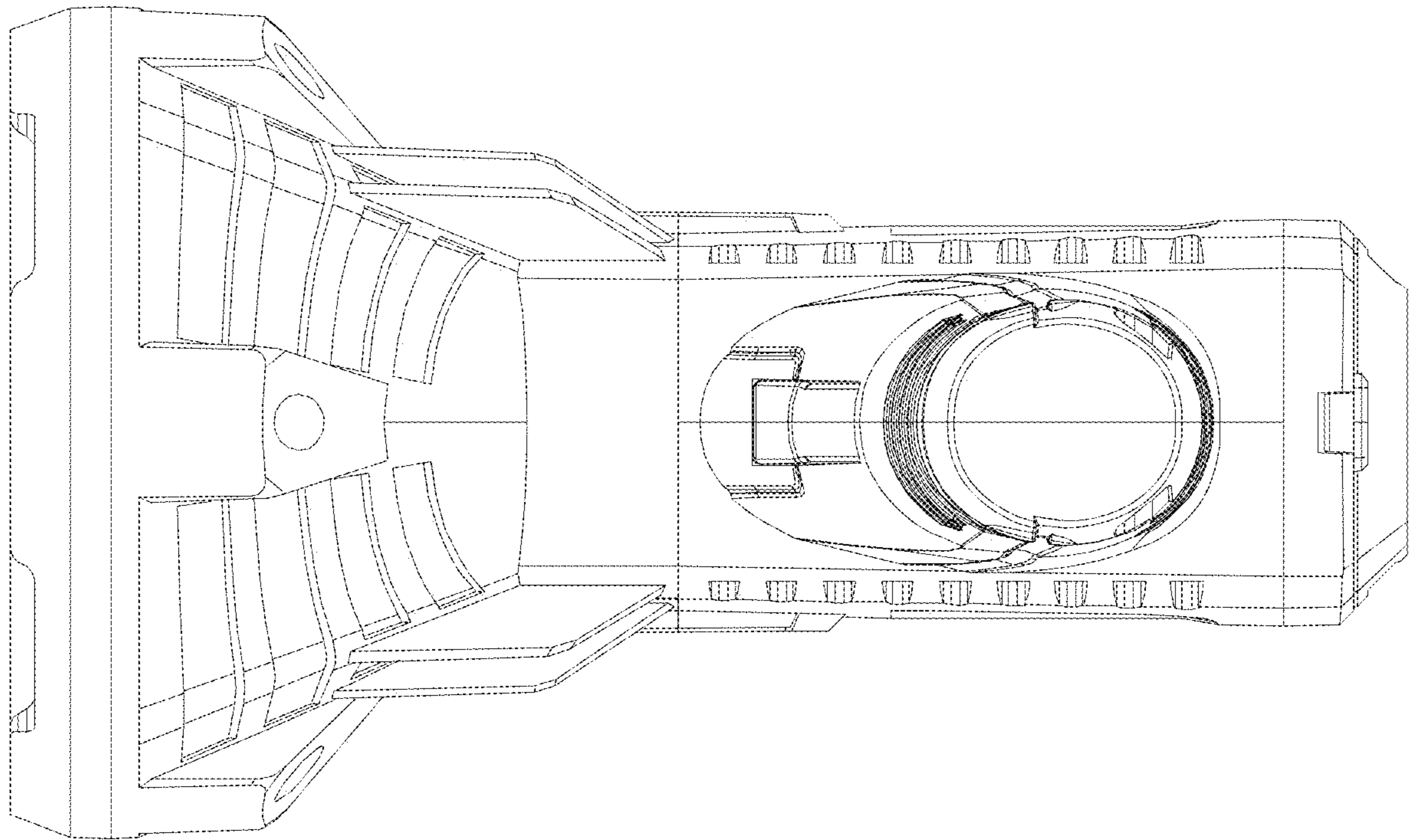


FIG. 9

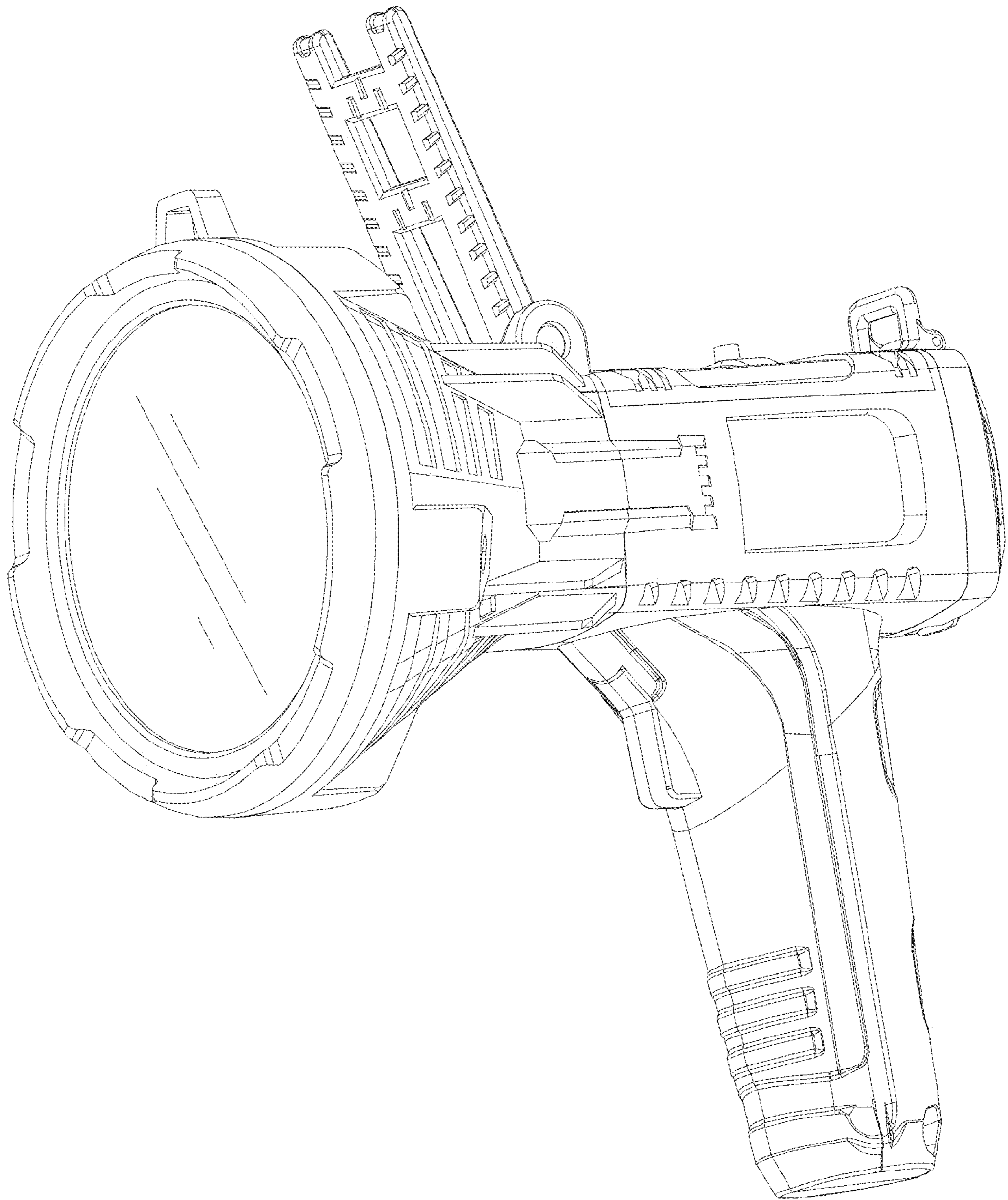


FIG. 10