



US00D970069S

(12) **United States Design Patent** (10) **Patent No.:** **US D970,069 S**
Lin (45) **Date of Patent:** **** Nov. 15, 2022**

(54) **AUTOMOBILE HEADLIGHT**
(71) Applicant: **Chi-Chung Lin**, Hsinchu (TW)
(72) Inventor: **Chi-Chung Lin**, Hsinchu (TW)
(**) Term: **15 Years**
(21) Appl. No.: **29/771,444**
(22) Filed: **Feb. 23, 2021**

(51) **LOC (13) Cl.** **26-06**
(52) **U.S. Cl.**
USPC **D26/28**
(58) **Field of Classification Search**
USPC D26/28, 29, 30, 31, 32, 33, 34, 35, 36
CPC F21W 2103/35; F21W 2103/40; F21W
2102/17; F21W 2102/30; F21W 2103/00;
F21W 2103/55; F21W 2104/00; F21W
2107/17; F21W 2107/13; F21S 41/00;
F21S 41/141; F21S 41/162; F21S 41/18;
F21S 41/20; F21S 41/33; F21S 41/36;
F21S 41/60; F21S 43/00; F21V 21/04
See application file for complete search history.

(56) **References Cited**

U.S. PATENT DOCUMENTS

D569,021 S 5/2008 Saridakis et al.
D624,217 S 9/2010 Saridakis et al.
D646,410 S * 10/2011 Eda D26/28
D674,932 S * 1/2013 Kawano D26/28
D681,852 S 5/2013 Behmer et al.
D685,116 S * 6/2013 Kido D26/28
D783,870 S * 4/2017 Yamakawa D26/28

D812,791 S * 3/2018 Wu D26/28
D819,851 S * 6/2018 Munakata D26/28
D833,043 S * 11/2018 Aiba D26/28
D842,510 S * 3/2019 Kang D26/28
D852,996 S * 7/2019 Suzuki D26/28
D877,374 S 3/2020 Luo
D878,644 S 3/2020 Lai
D910,892 S * 2/2021 Tanaka D26/28
D912,860 S * 3/2021 Wu D26/28
D930,858 S * 9/2021 Yang D26/28
D954,306 S * 6/2022 Lin D26/28

FOREIGN PATENT DOCUMENTS

CN 305839437 S 6/2020

* cited by examiner

Primary Examiner — Angela J Lee

(74) *Attorney, Agent, or Firm* — Alexander Chen, Esq.

(57) **CLAIM**

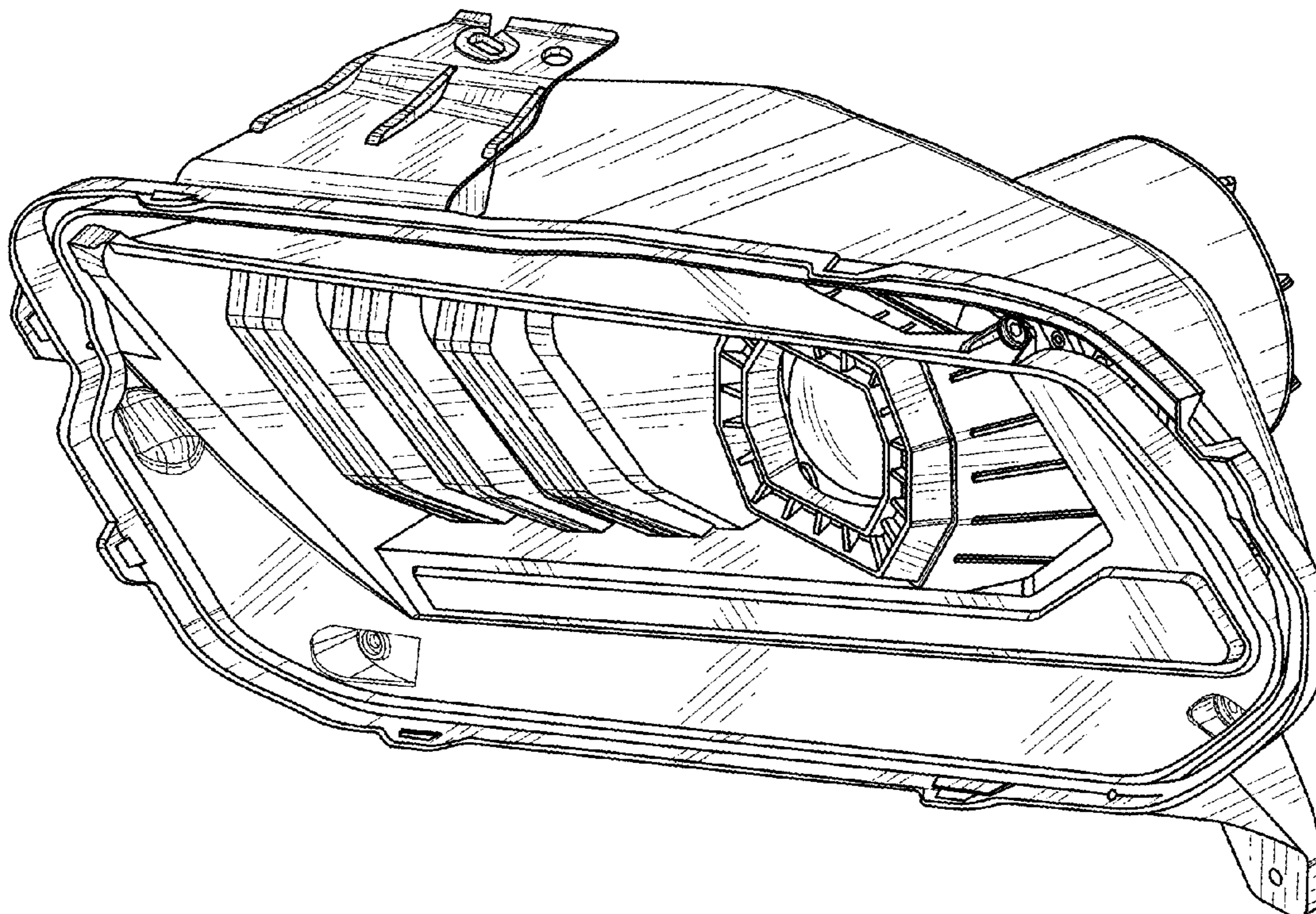
The ornamental design for an automobile headlight, as shown and described.

DESCRIPTION

FIG. 1 is a perspective view of an automobile headlight; FIG. 2 is a front view thereof; FIG. 3 is a side view thereof; and, FIG. 4 is a top view thereof.

The broken lines shown in the drawings represent environmental structure that form no part of the claimed design. The drawings and descriptions represent the left side embodiment. The claim is also for a mirror image right side embodiment.

1 Claim, 4 Drawing Sheets



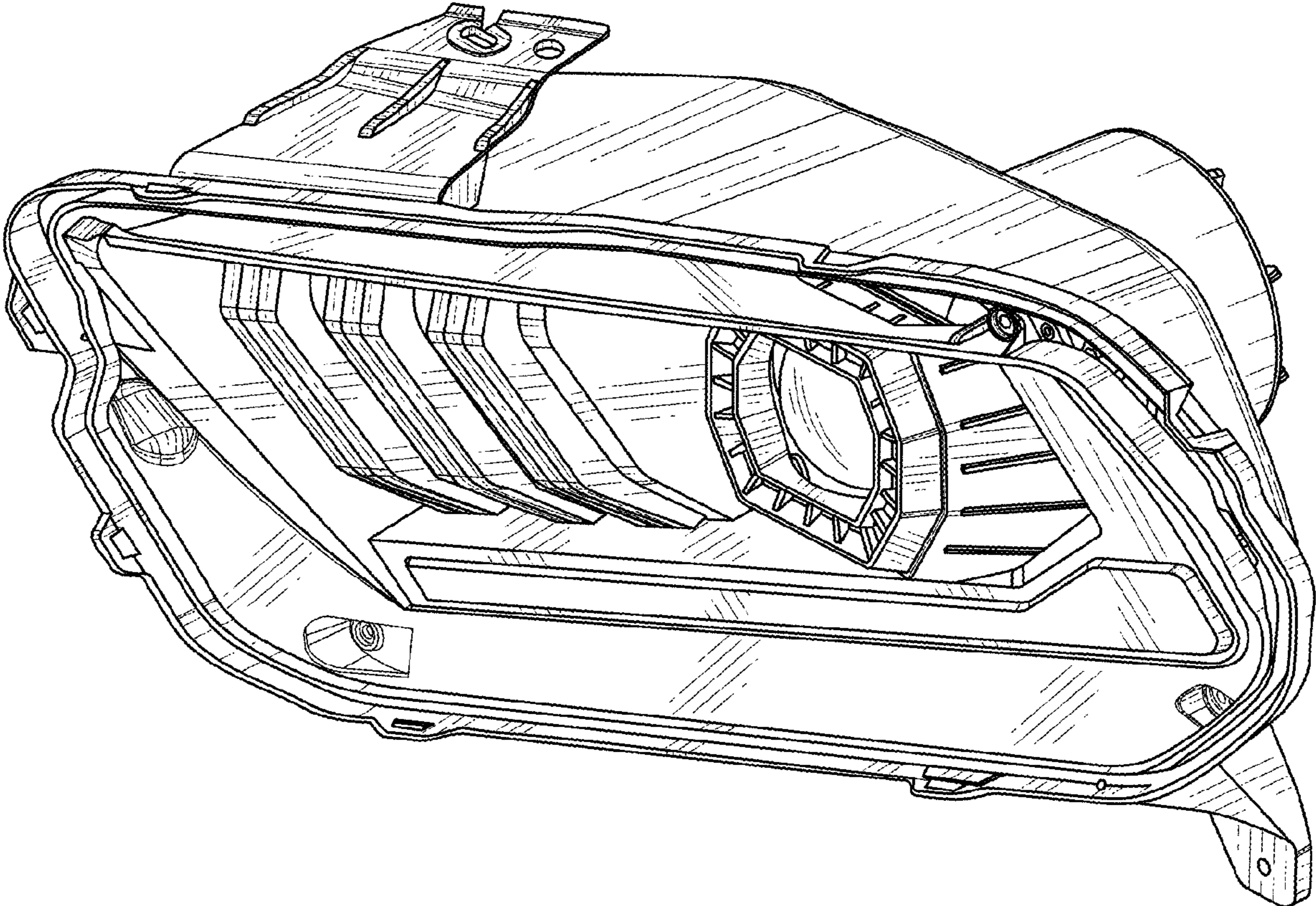


FIG. 1

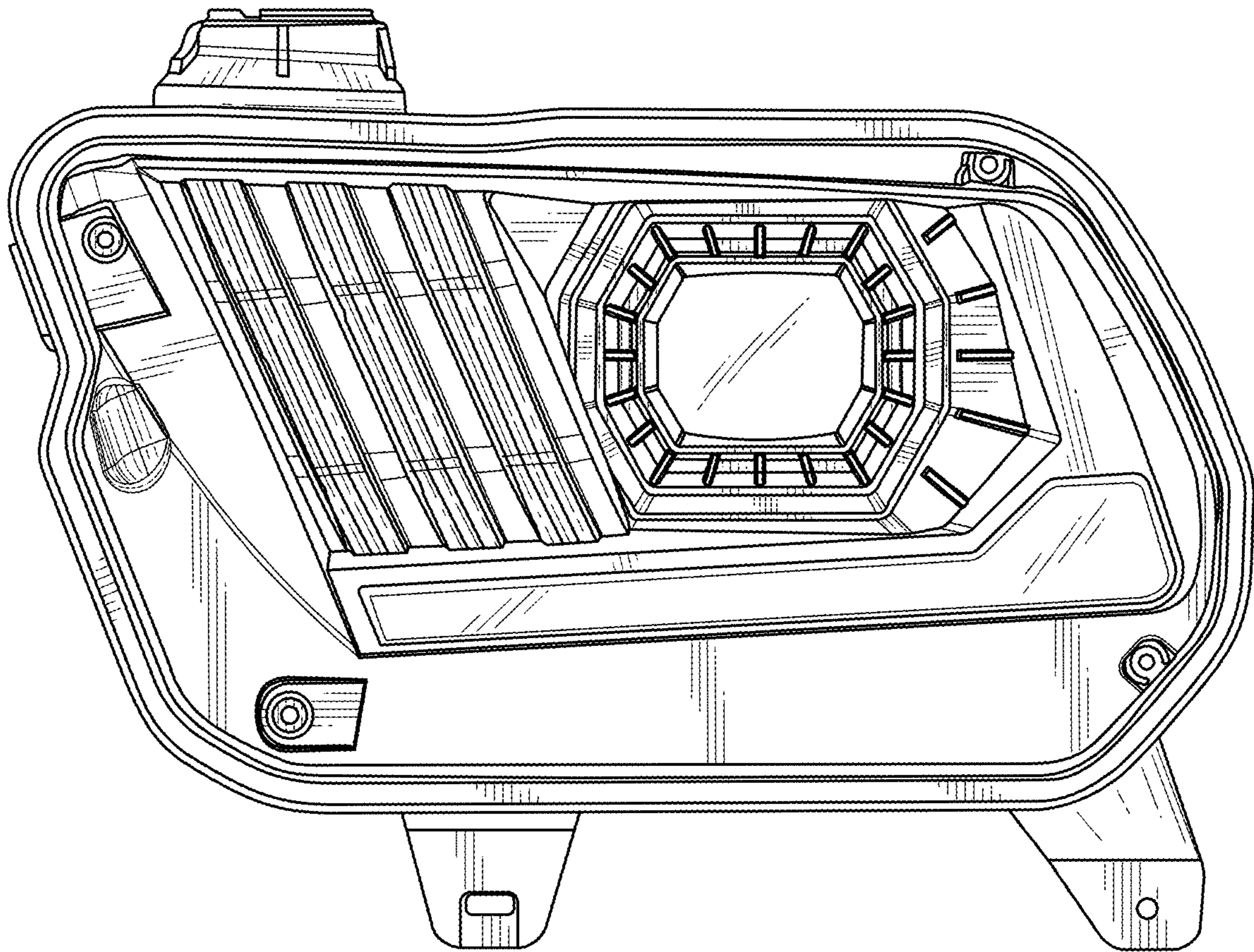


FIG. 2

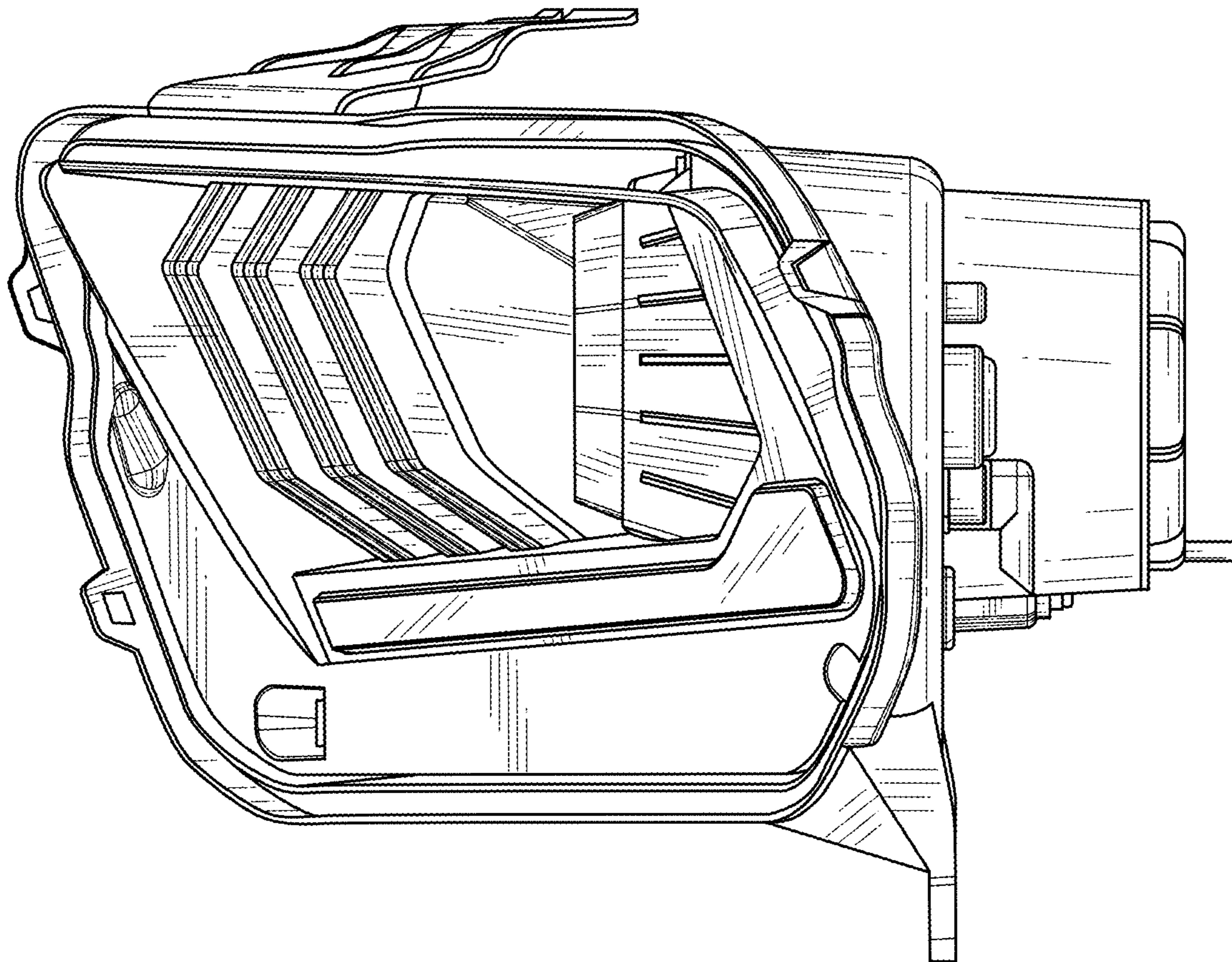


FIG. 3

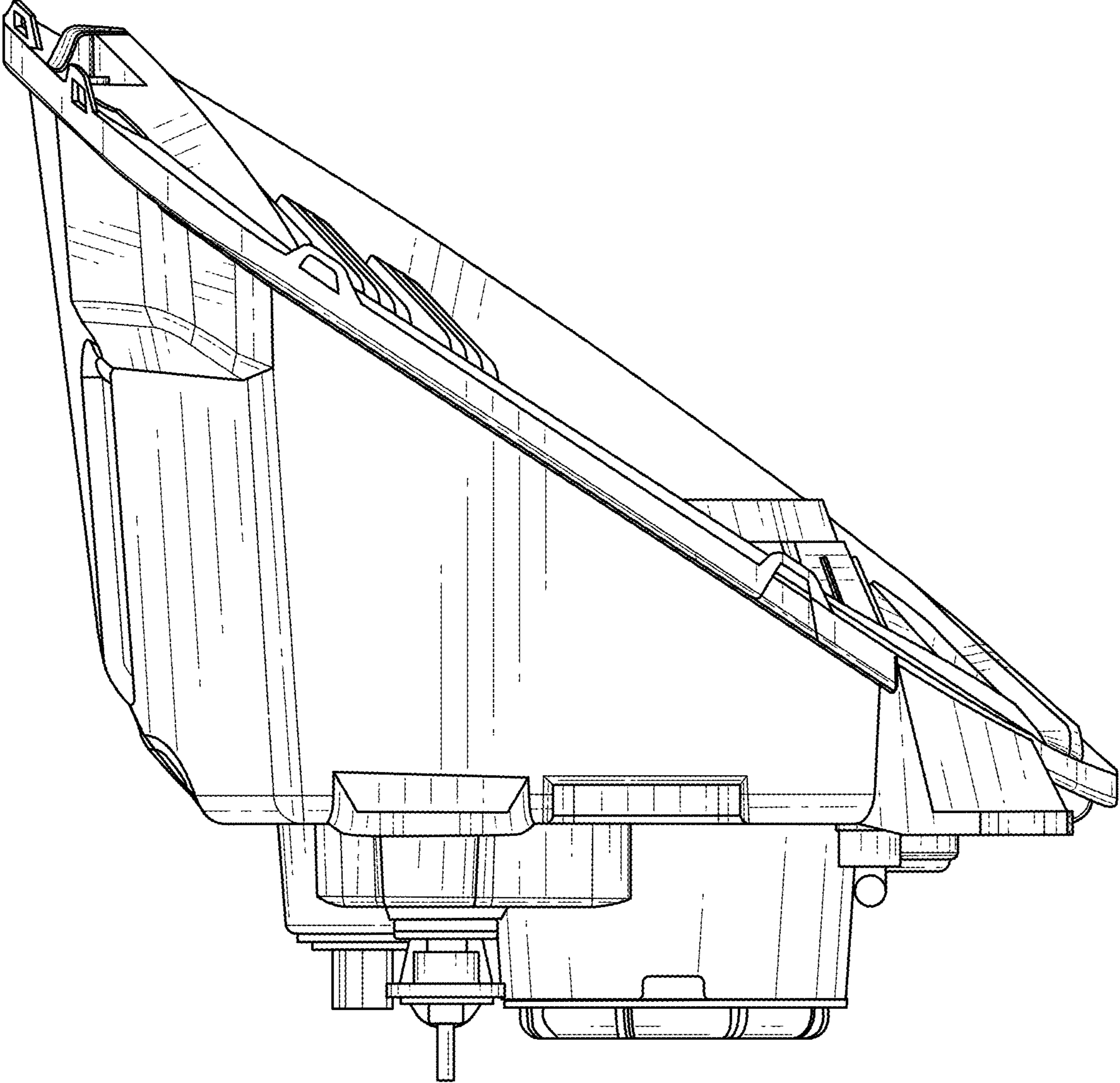


FIG. 4