



US00D970068S

(12) **United States Design Patent** (10) **Patent No.:** **US D970,068 S**  
**Kondo et al.** (45) **Date of Patent:** **\*\* Nov. 15, 2022**

(54) **LIGHTING DEVICE**

D776,325 S \* 1/2017 Jeswani ..... D26/74  
D779,700 S \* 2/2017 Lee ..... D26/74  
D808,058 S \* 1/2018 Johnson ..... D26/74

(71) Applicant: **Mitsubishi Electric Corporation,**  
Tokyo (JP)

(Continued)

(72) Inventors: **Masayuki Kondo,** Tokyo (JP); **Yuka Yokobori,** Tokyo (JP); **Toshihisa Ogura,** Tokyo (JP); **Masaaki Hoshi,** Tokyo (JP); **Hiroyuki Inuta,** Tokyo (JP)

FOREIGN PATENT DOCUMENTS

CN 303587012 \* 9/2015  
NO 20150710-0001 \* 7/2015  
WO WOD092834-001 \* 8/2016

(73) Assignee: **Mitsubishi Electric Corporation,**  
Tokyo (JP)

OTHER PUBLICATIONS

“YGS-Tech” reference by YGS-TECH on Amazon.com, date first available Mar. 12, 2019 [online], site visited Mar. 16, 2022, available from internet URL: <https://www.amazon.com/YGS-Tech-Downlight-Dimmable-Halogen-Equivalent/dp/B07PM2T4HP> (Year: 2019).\*

(\*\*) Term: **15 Years**

(Continued)

(21) Appl. No.: **29/746,417**

(22) Filed: **Aug. 13, 2020**

*Primary Examiner* — Marissa J Cash

*Assistant Examiner* — Liv C Anderson

(30) **Foreign Application Priority Data**

May 15, 2020 (JP) ..... 2020-009571 D

(74) *Attorney, Agent, or Firm* — Studebaker & Brackett PC

(51) **LOC (13) Cl.** ..... **26-06**

(52) **U.S. Cl.**  
USPC ..... **D26/28**

(57) **CLAIM**

The ornamental design for a lighting device, as shown and described.

(58) **Field of Classification Search**  
USPC .... D26/24, 72, 74, 81–84, 88, 93, 113, 138, D26/142, 3, 26, 61, 75, 76, 85, 140, 141, D26/152, 155, 28, 123, 124  
CPC ..... F21S 6/00; F21S 6/005; F21S 8/00; F21S 8/02; F21S 8/026; F21S 8/066; F21V 21/02; F21V 21/042; F21V 21/047; F21V 21/06; F21V 21/08; F21V 17/16; F21V 19/0065

**DESCRIPTION**

FIG. 1. is a top perspective view of the top, front, and right sides of a lighting device showing our new design;  
FIG. 2. is a bottom perspective view of the bottom, front, and right sides thereof;  
FIG. 3. is a front view thereof;  
FIG. 4. is a rear view thereof;  
FIG. 5. is a left side view thereof;  
FIG. 6. is a right side view thereof;  
FIG. 7. is a top plan view thereof; and,  
FIG. 8. is a bottom plan view thereof.

See application file for complete search history.

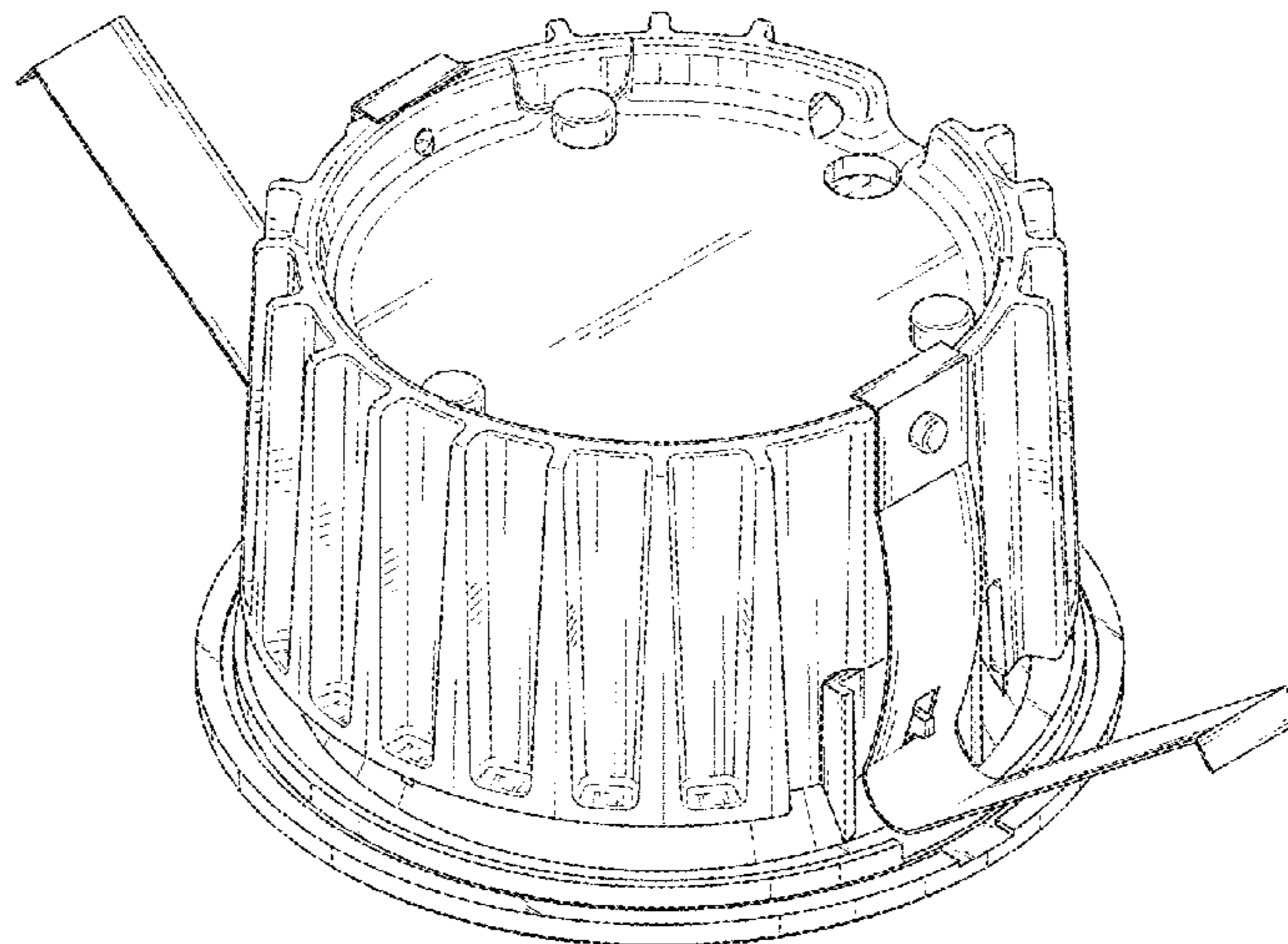
The broken lines in the drawings depict portions of the lighting device that form no part of the claimed design.

(56) **References Cited**

U.S. PATENT DOCUMENTS

D659,893 S \* 5/2012 Ding ..... D26/113  
D665,117 S \* 8/2012 Yoshida ..... D26/74  
D681,862 S \* 5/2013 Soni ..... D26/74  
D762,907 S \* 8/2016 Jeswani ..... D26/74

**1 Claim, 8 Drawing Sheets**



(56)

**References Cited**

## U.S. PATENT DOCUMENTS

D827,903	S *	9/2018	Wu	.....	D26/74
D854,725	S *	7/2019	Goetz-Schaefer	.....	D26/74
D866,040	S *	11/2019	Wu	.....	D26/74
D910,223	S *	2/2021	Cohen	.....	D26/74
D940,374	S *	1/2022	Chen	.....	D26/74
D946,807	S *	3/2022	Hoshi	.....	D26/74
11,274,821	B2 *	3/2022	Danesh	.....	F21V 23/003
2009/0290354	A1 *	11/2009	Moriyama	.....	F21V 7/0083
					362/296.01
2010/0053950	A1 *	3/2010	Higuchi	.....	H05K 1/0271
					362/373
2012/0243243	A1 *	9/2012	Masuda	.....	F21V 29/745
					362/382
2019/0103522	A1 *	4/2019	Abe	.....	H05B 45/10
2020/0224838	A1 *	7/2020	Yotsumoto	.....	F21S 8/026
2021/0262650	A1 *	8/2021	Danesh	.....	F21V 29/10

## OTHER PUBLICATIONS

“OBSESS” reference by OBSESS on Amazon.com, date first available Sep. 5, 2015 [online], site visited Mar. 16, 2022, available from internet URL: <https://www.amazon.com/OBSESS-Waterproof-Recessed-Downlight-Downlights/dp/B014YJ3SQU> (Year: 2019).\*

“Torchstar” reference by Torchstar on Amazon.com, date first available Jan. 30, 2018 [online], site visited Mar. 16, 2022, available from internet URL: <https://www.amazon.com/TORCHSTAR-Recessed-Dimmable-Airtight-Certified/dp/B079GLKCV7> (Year: 2018).\*

“Lithonia” reference by Amazon.com, date first available May 14, 2018 [online], site visited Mar. 16, 2022, available from internet URL: <https://www.amazon.com/Lithonia-Lighting-6JBK-30K-90CRI/dp/B07D2PQBTK> (Year: 2018).\*

\* cited by examiner

Fig.1

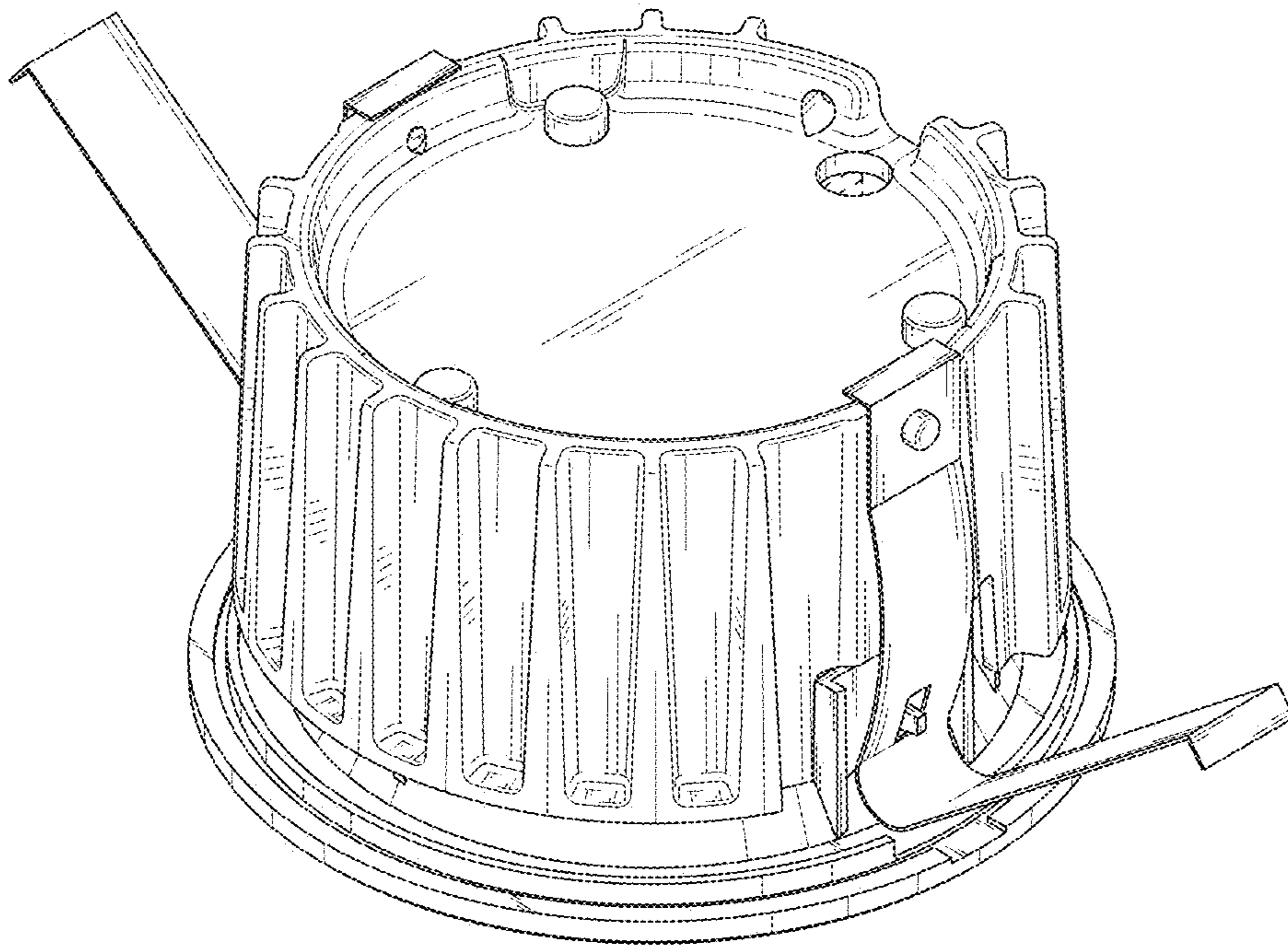


Fig.2

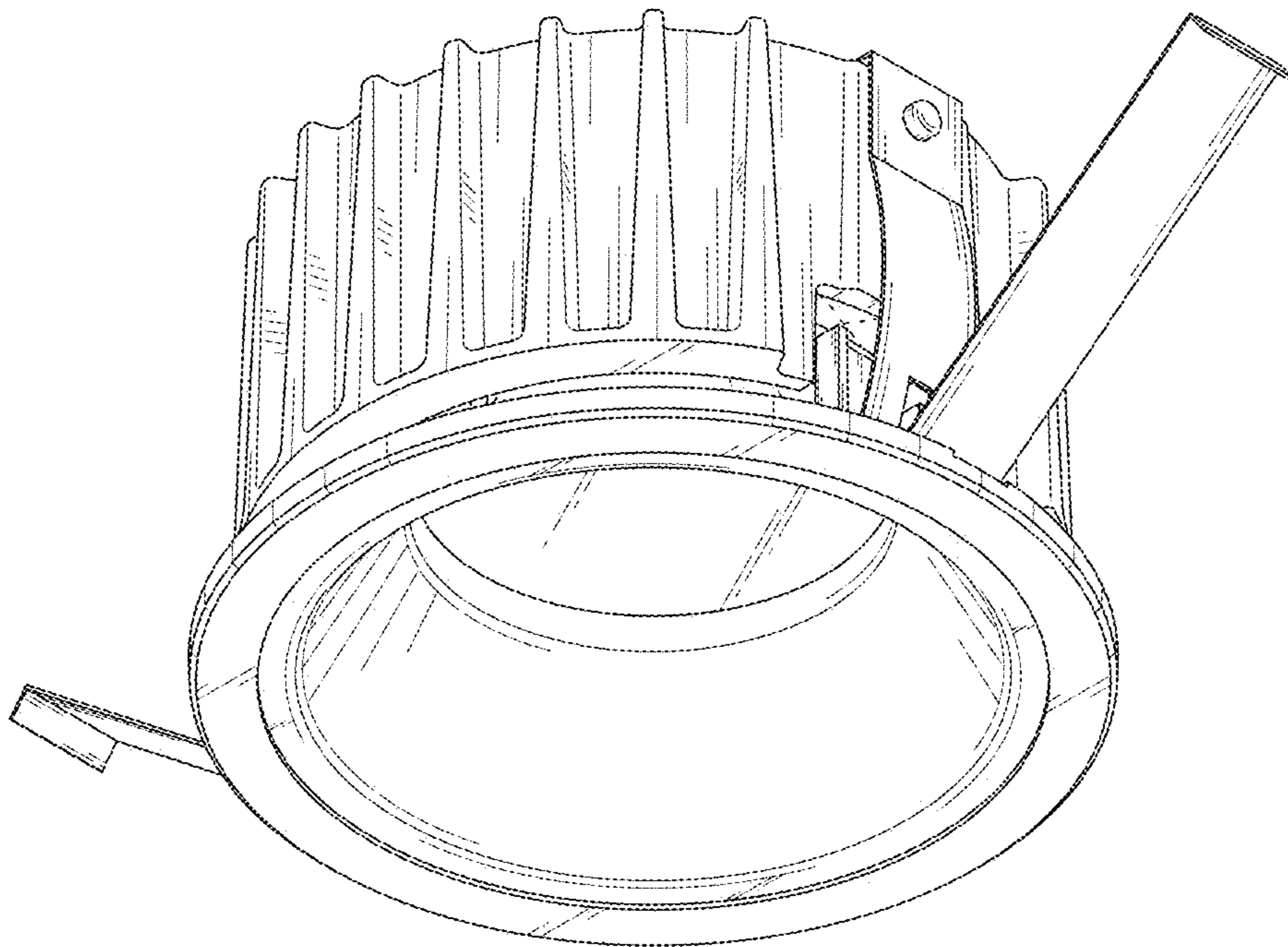


Fig.3

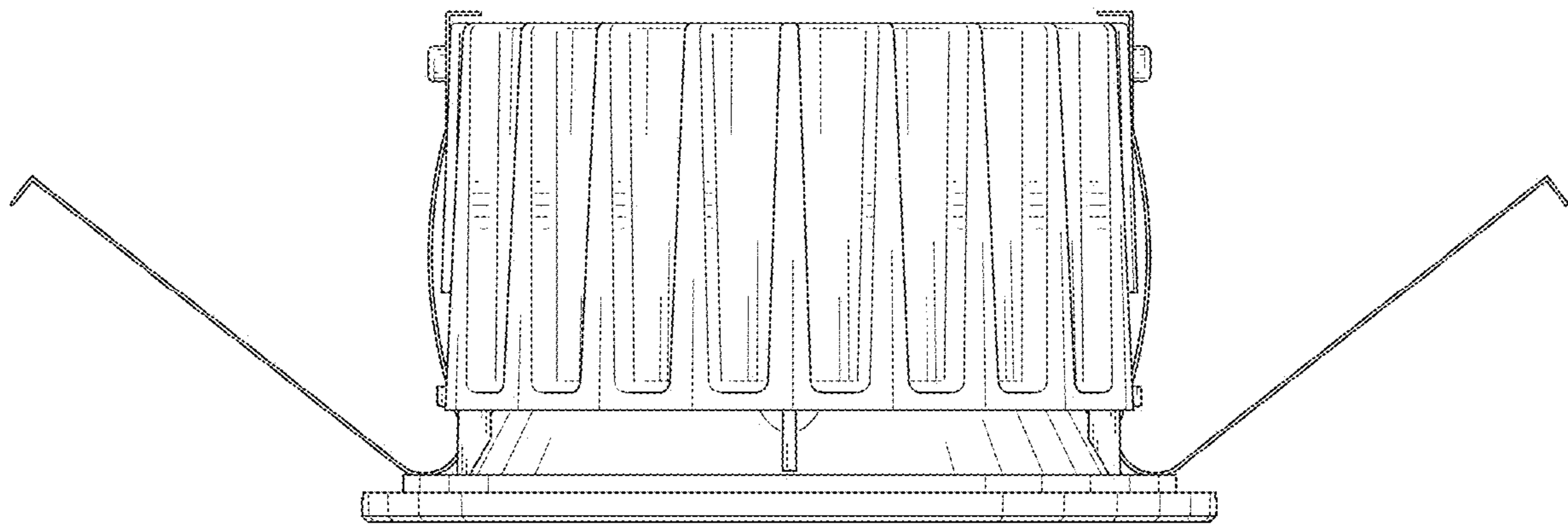


Fig.4

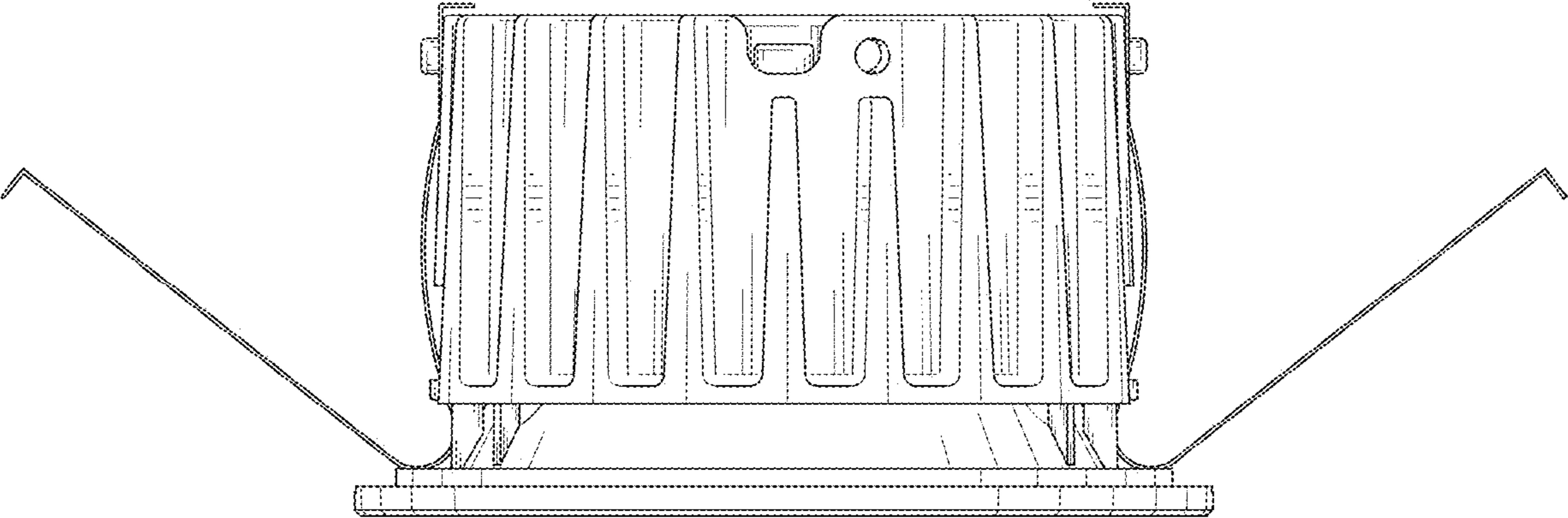


Fig.5

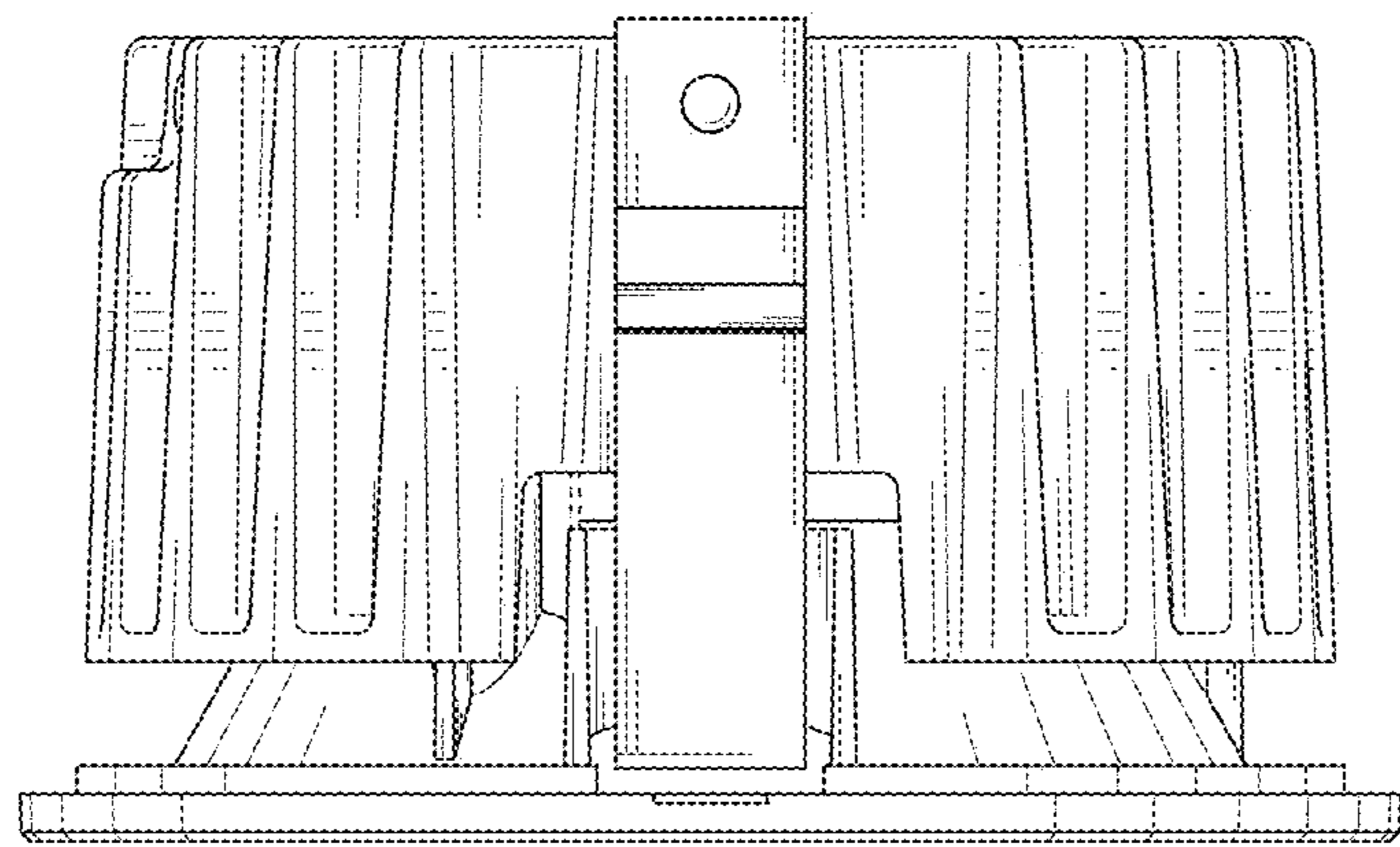


Fig.6

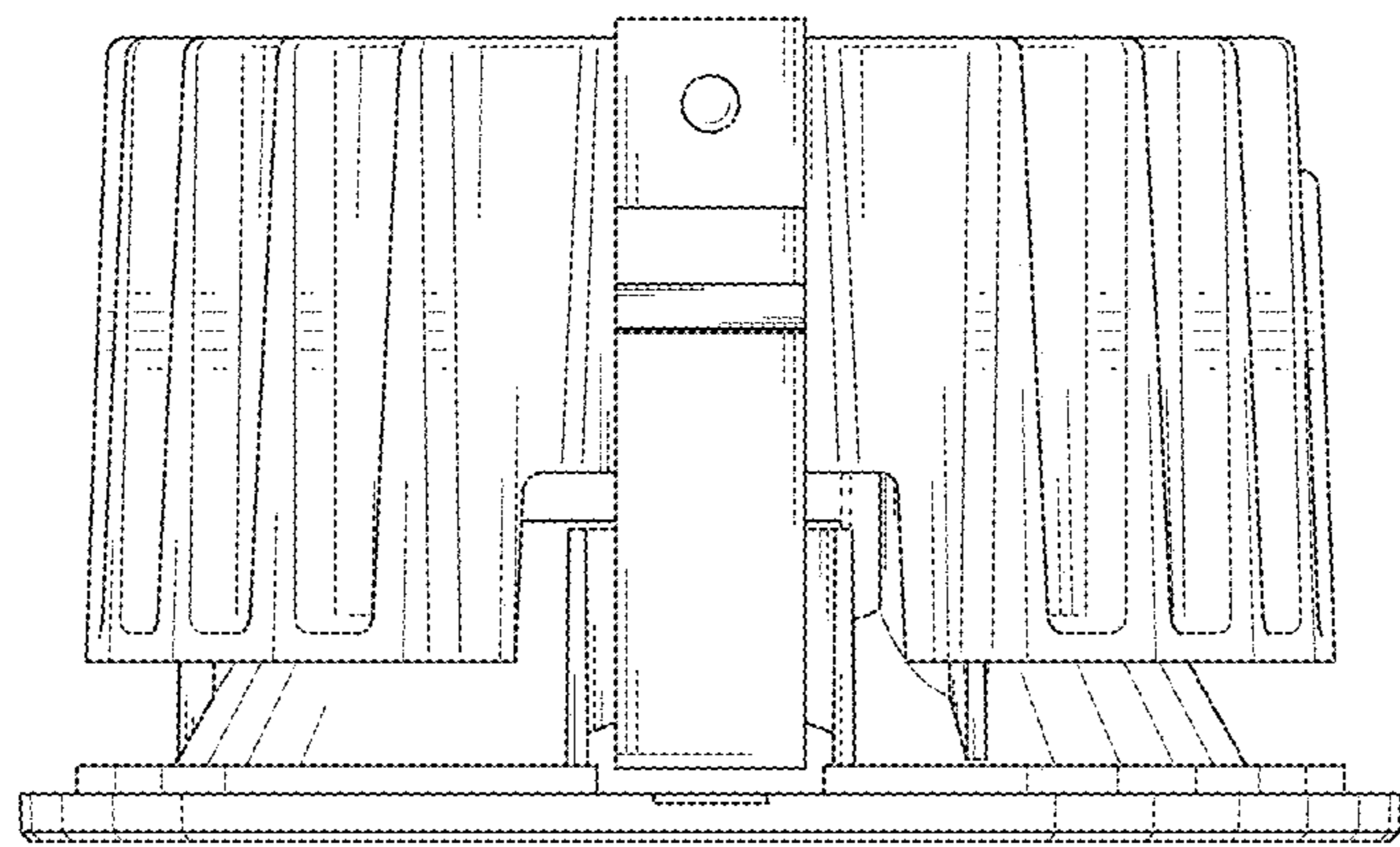




Fig.7

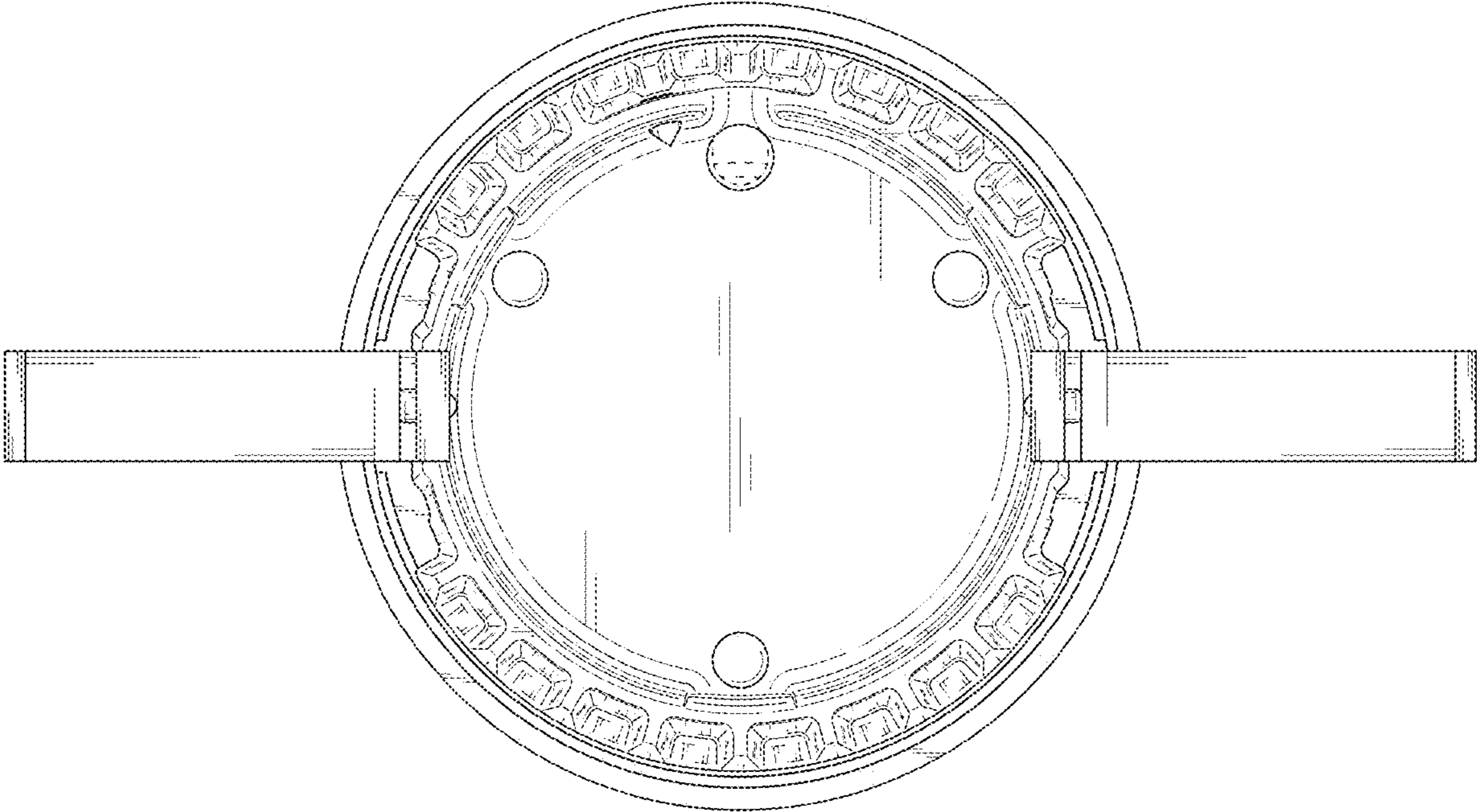


Fig.8

