



US00D970065S

(12) **United States Design Patent** (10) **Patent No.:** **US D970,065 S**
Waldmann (45) **Date of Patent:** **** Nov. 15, 2022**

(54) **LAMP**

(71) Applicant: **Herbert Waldmann GmbH & Co. KG**, Villingen-Schwenningen (DE)

(72) Inventor: **Gerhard Waldmann**, Stein am Rhein (CH)

(73) Assignee: **HERBERT WALDMANN GMBH & CO. KG**, Villingen-Schwenningen (DE)

(**) Term: **15 Years**

(21) Appl. No.: **29/729,239**

(22) Filed: **Mar. 25, 2020**

Related U.S. Application Data

(63) Continuation-in-part of application No. 29/698,948, filed on Jul. 22, 2019, now Pat. No. Des. 950,780.

(30) **Foreign Application Priority Data**

Jan. 23, 2019 (WO) 970010840

(51) **LOC (13) Cl.** **26-04**

(52) **U.S. Cl.**
USPC **D26/3; D26/138**

(58) **Field of Classification Search**
USPC D26/3, 72, 75, 76, 78, 79, 138, 140
(Continued)

(56) **References Cited**

U.S. PATENT DOCUMENTS

D521,676 S * 5/2006 Richner D26/78
D526,737 S * 8/2006 Noh D26/78
(Continued)

FOREIGN PATENT DOCUMENTS

JP 1542976 12/2015
JP 1580154 6/2017

(Continued)

OTHER PUBLICATIONS

U.S. Appl. No. 29/698,948 filed Jul. 22, 2019, Waldmann.

(Continued)

Primary Examiner — Angela J Lee

(74) *Attorney, Agent, or Firm* — Andrew F. Young, Esq.;
Nolte Lackenbach Siegel

(57) **CLAIM**

The ornamental design for a lamp, as shown and described.

DESCRIPTION

FIG. 1 is a front top perspective view of a first embodiment of my invention.

FIG. 2 is a rear bottom perspective view of FIG. 1.

FIG. 3 is a front elevation view of FIG. 1.

FIG. 4 is a rear elevation view of FIG. 1.

FIG. 5 is a bottom plan view of FIG. 1.

FIG. 6 is a top plan view of FIG. 1.

FIG. 7 is a right side view of FIG. 1.

FIG. 8 is a left side view view of FIG. 1.

FIG. 9 is a front top perspective view of a second embodiment of my invention.

FIG. 10 is a rear bottom perspective view of FIG. 1.

FIG. 11 is a front elevation view of FIG. 1.

FIG. 12 is a rear elevation view of FIG. 1.

FIG. 13 is a bottom plan view of FIG. 1.

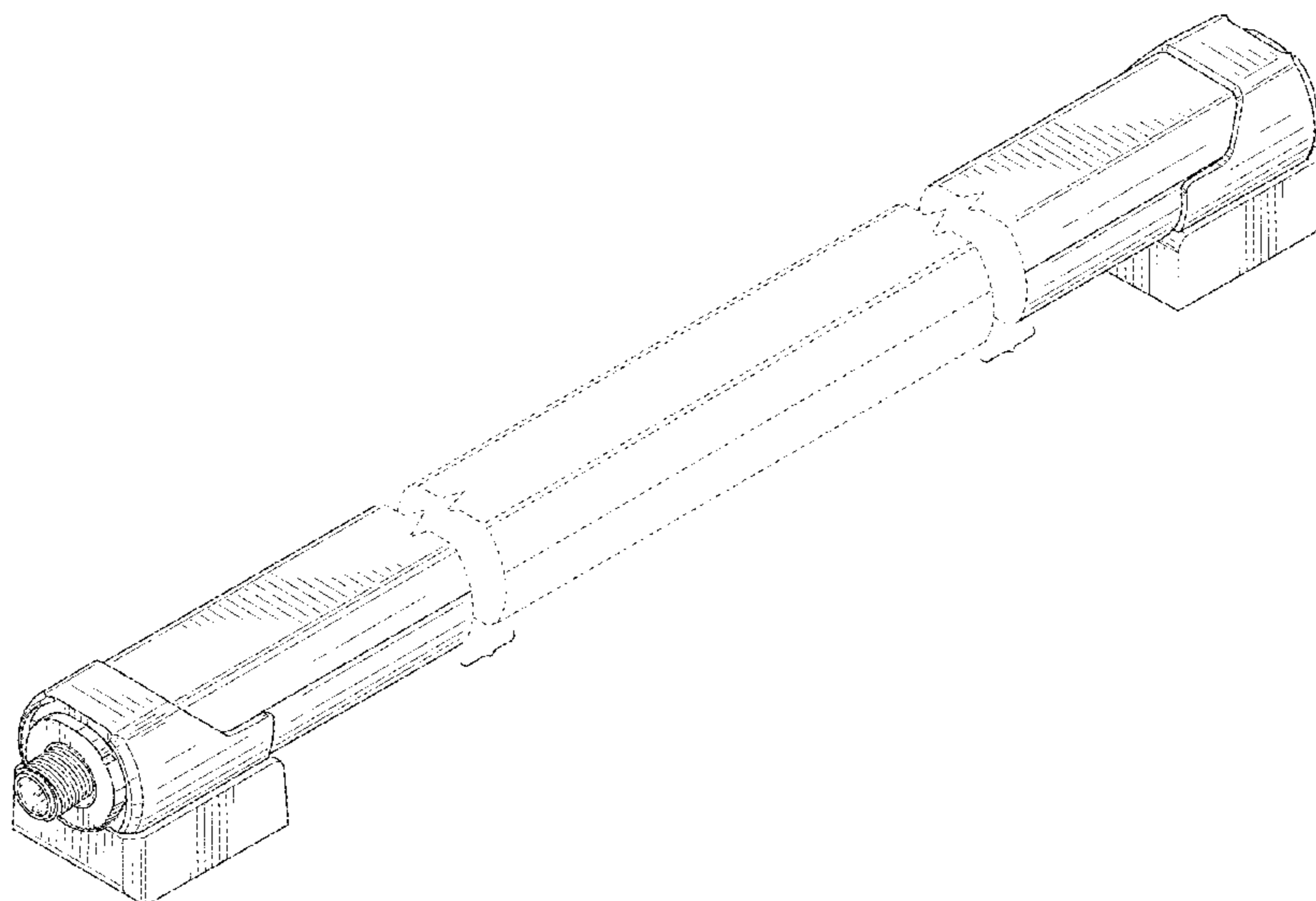
FIG. 14 is a top plan view of FIG. 1.

FIG. 15 is a right side view of FIG. 1; and,

FIG. 16 is a left side view view of FIG. 1.

The dash-dash disclaim lines indicated disclaimed portions of the design to which no claim is made. The break lines designate a break in the disclaimed lengths of the design, which are of various lengths having similar end features, and are for illustrative convention purposes only and form no part of the claimed design. No claim is made to portions which are not shown.

1 Claim, 10 Drawing Sheets



(58) **Field of Classification Search**

CPC F21S 8/031; F21V 19/00; F21V 19/0005;
 F21V 19/006; F21V 19/0075; F21V
 19/008; H01R 33/00; H01R 33/05; H01R
 33/08; H01R 33/22

See application file for complete search history.

FOREIGN PATENT DOCUMENTS

JP	1580155	6/2017
JP	1580156	6/2017
JP	1580157	6/2017
JP	1543050	12/2017
KR	30-0439492	2/2007

(56)

References Cited

U.S. PATENT DOCUMENTS

D593,698	S *	6/2009	Noh	D26/78
D597,686	S *	8/2009	Noh	D26/3
D621,975	S *	8/2010	Wang	D26/3
D655,025	S *	2/2012	Diekmann	D26/3
D740,972	S *	10/2015	Bernard	D26/3
D771,861	S *	11/2016	Wu	D26/138
D830,588	S *	10/2018	Kuang	D26/3
D848,037	S *	5/2019	Rioux	D26/3
D898,237	S *	10/2020	Zhang	D26/3
2006/0291235	A1 *	12/2006	Hendrikus	F21S 8/031 362/551
2018/0347792	A1 *	12/2018	Chen	F21S 8/061

OTHER PUBLICATIONS

JP 2019-016291, Search Report dated Dec. 17, 2019, 3 pages—
 Japanese; 3 pages—English.
 JP 2019-016292, Search Report dated Dec. 17, 2019, 3 pages—
 Japanese; 3 pages—English.
 JP 2019-016293, Search Report dated Dec. 17, 2019, 3 pages—
 Japanese; 3 pages—English.
 JP 2019-016294, Search Report dated Dec. 17, 2019, 3 pages—
 Japanese; 3 pages—English.

* cited by examiner

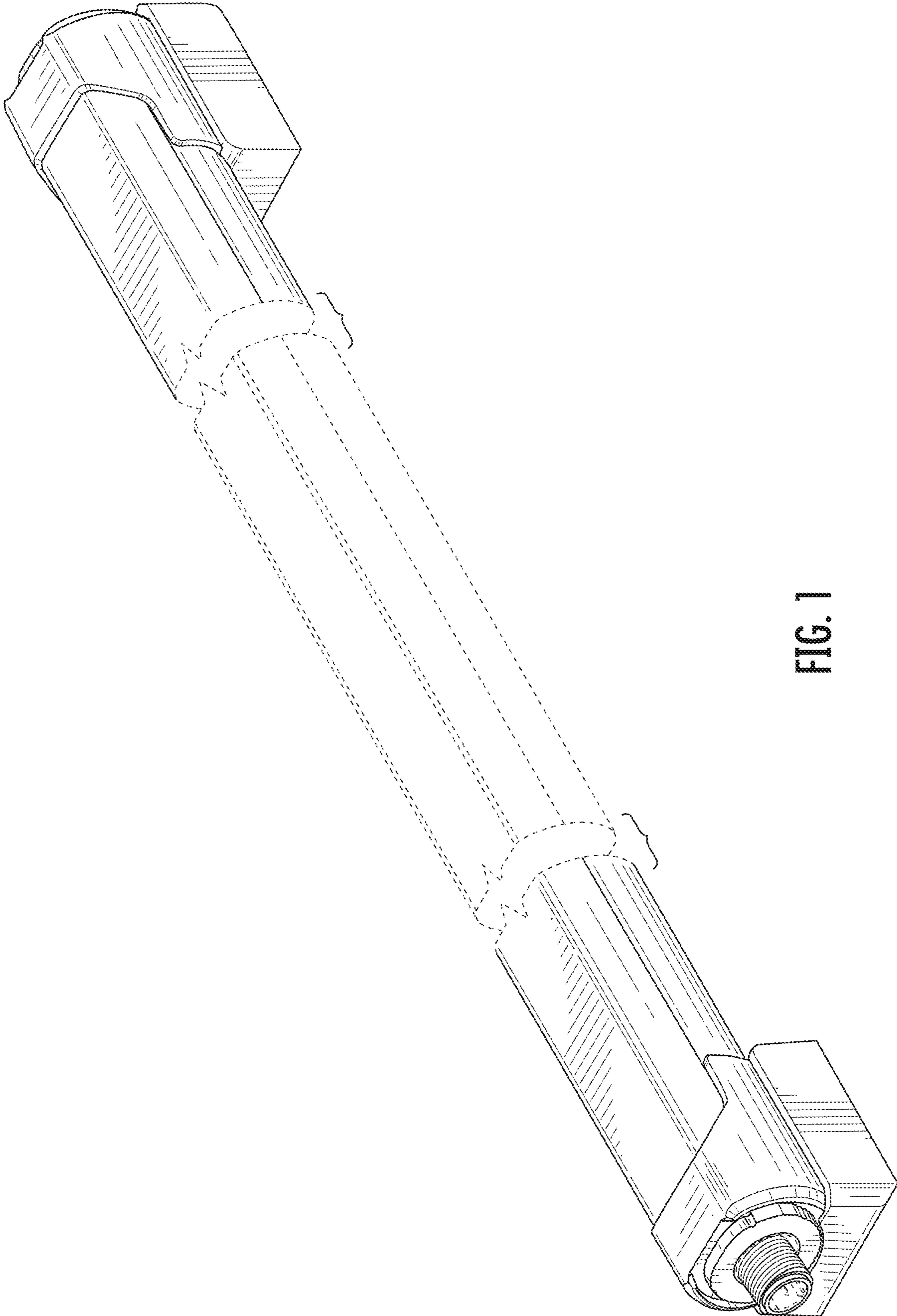


FIG. 1

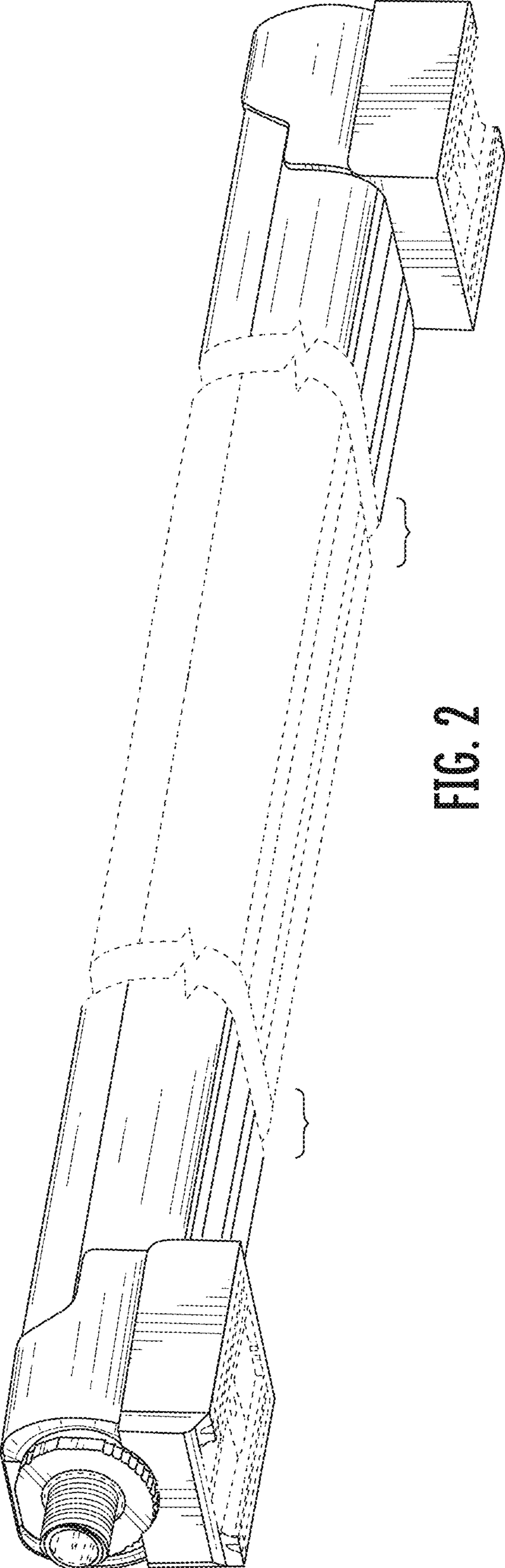


FIG. 2

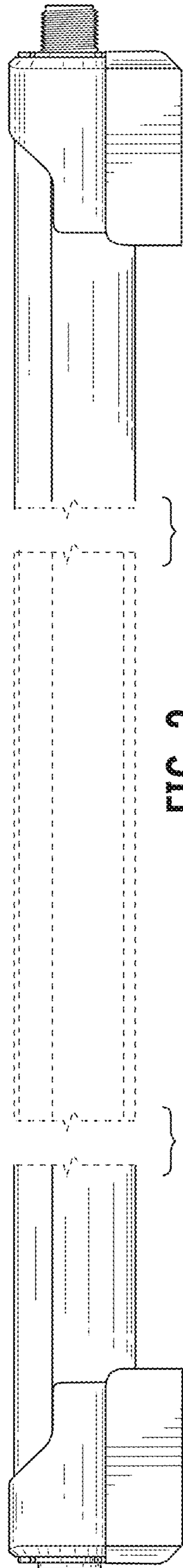


FIG. 3

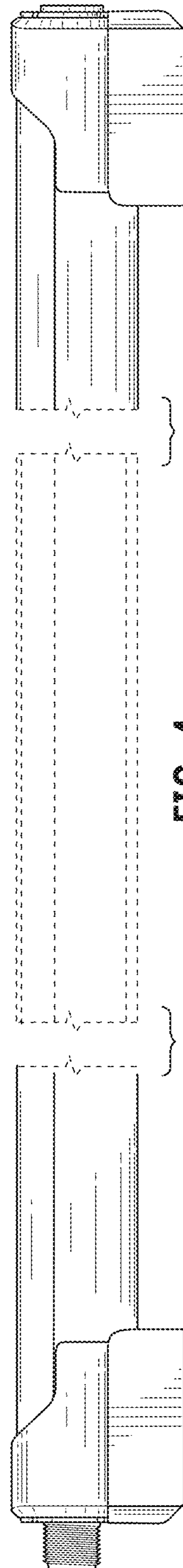


FIG. 4

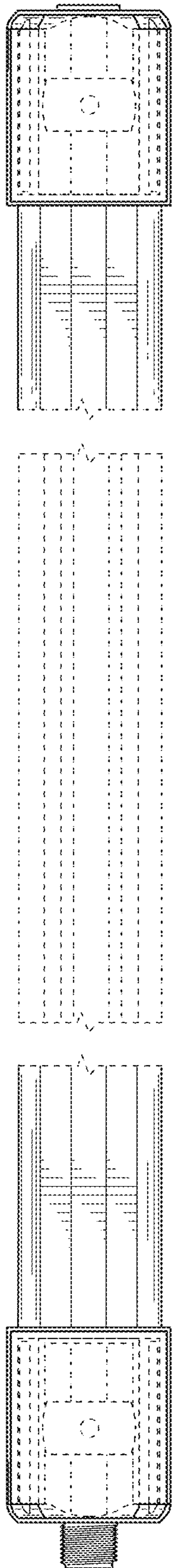


FIG. 5

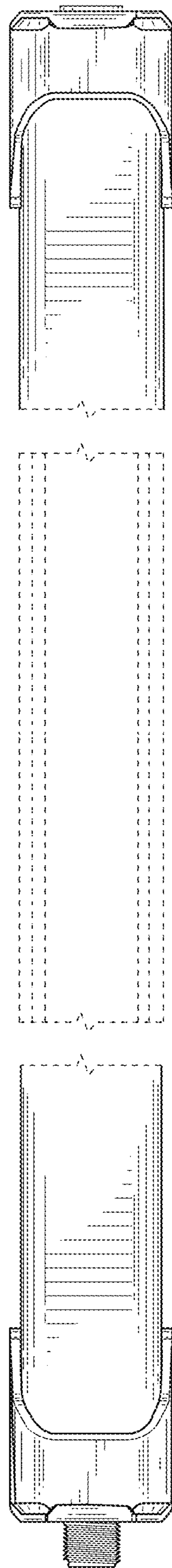


FIG. 6

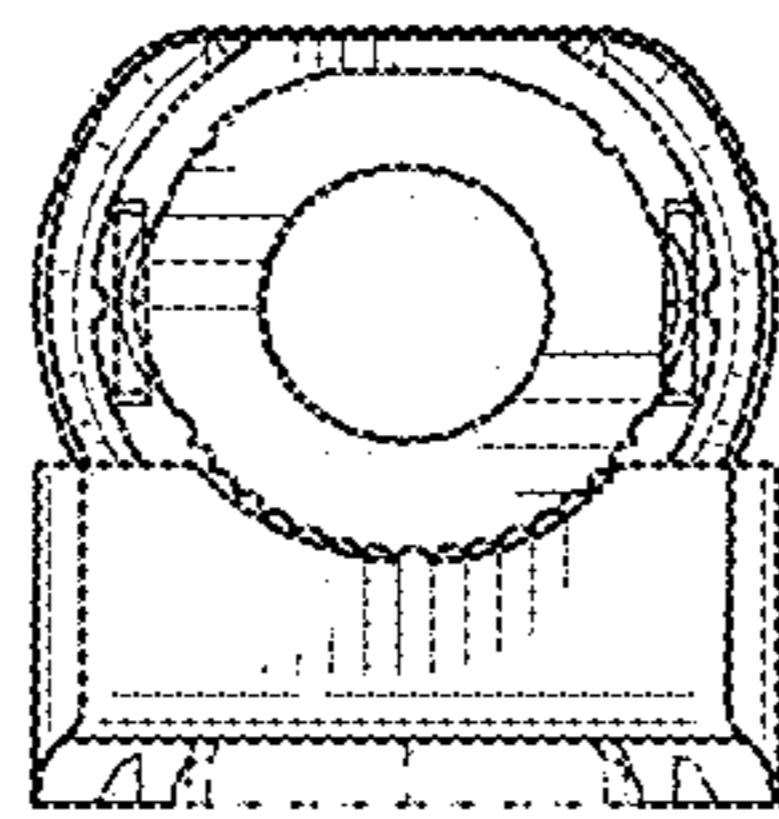


FIG. 7

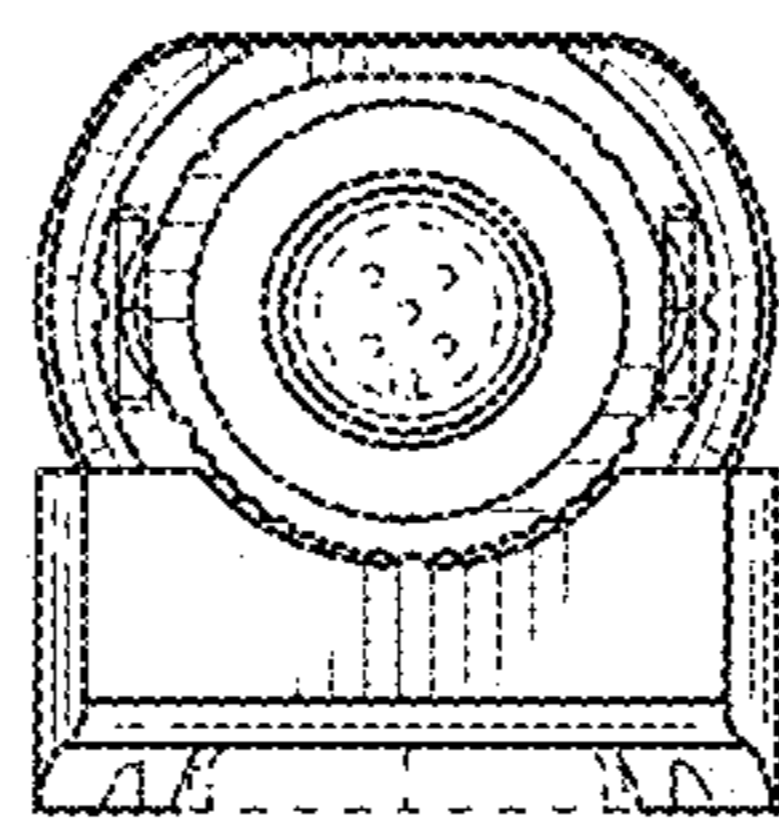


FIG. 8

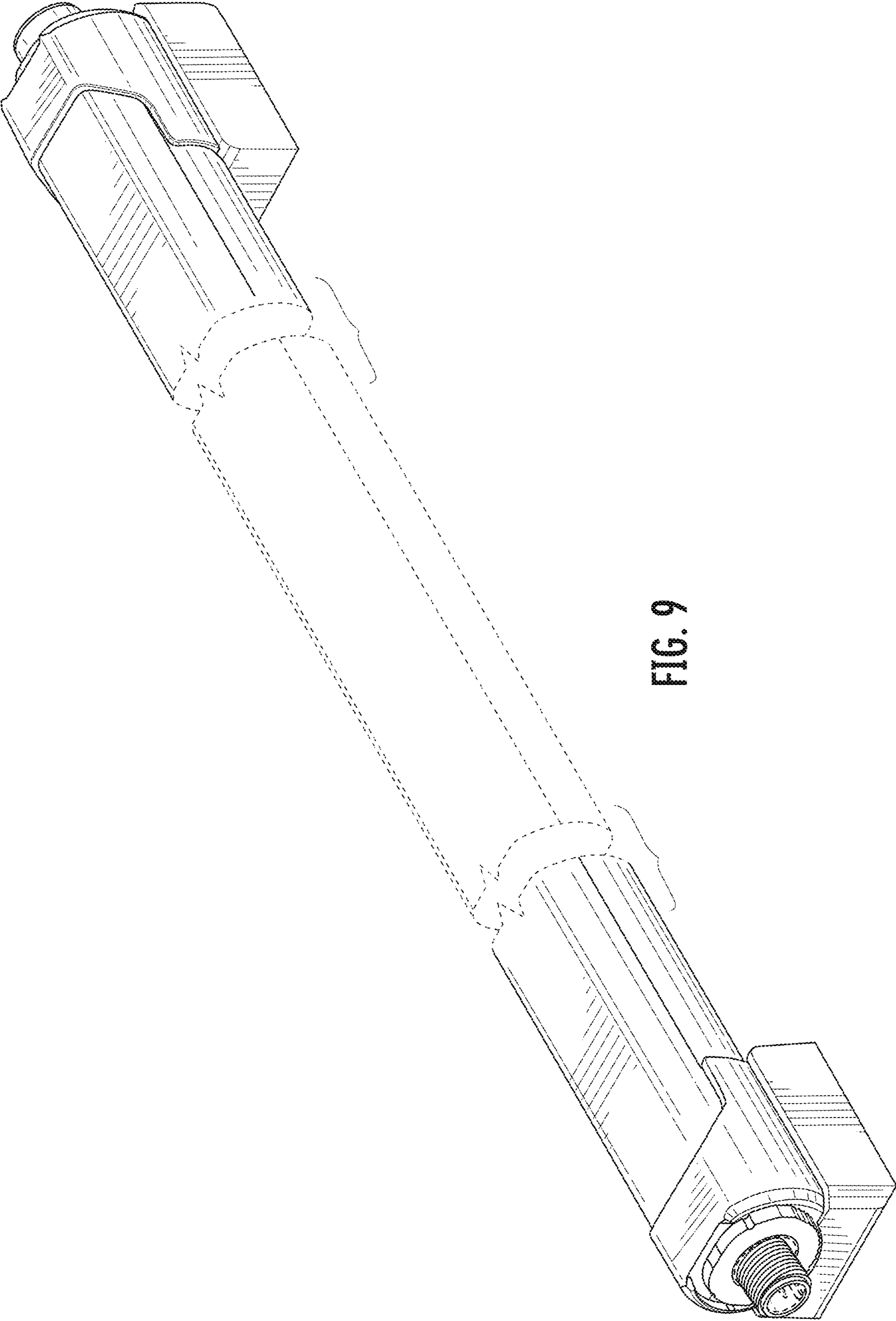


FIG. 9

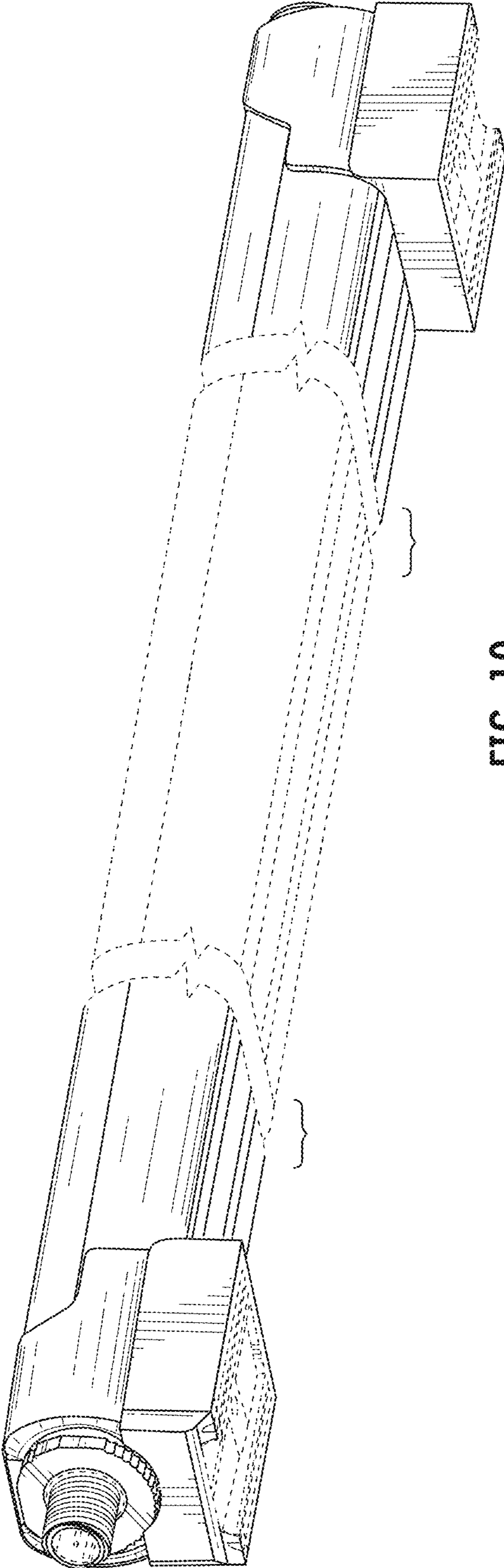


FIG. 10

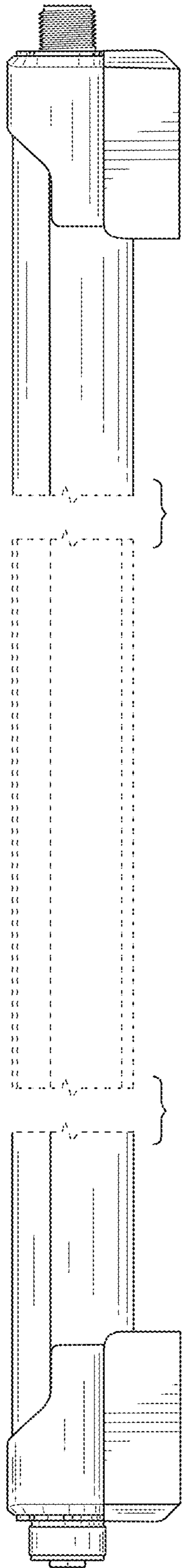


FIG. 11

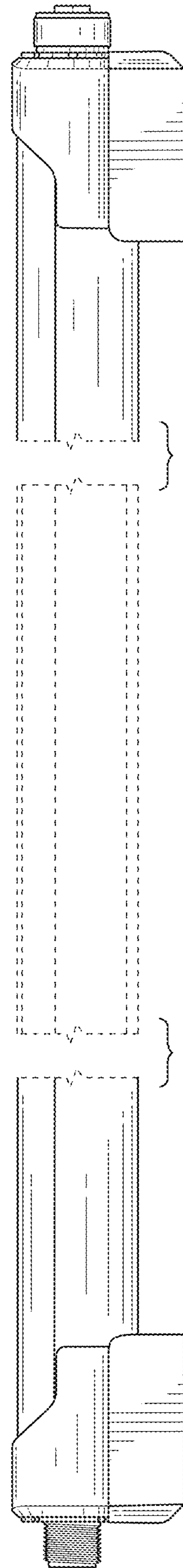


FIG. 12

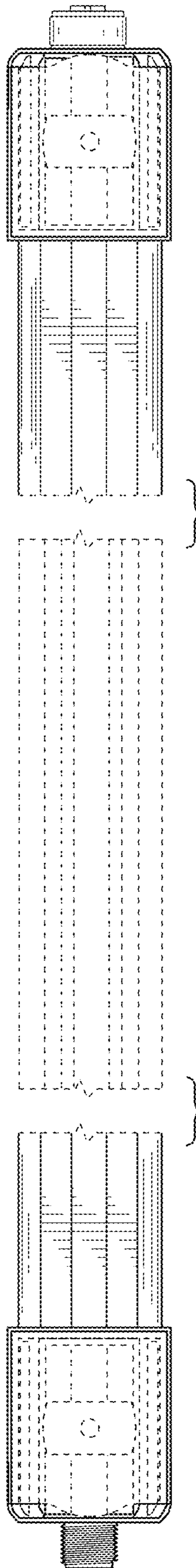


FIG. 13

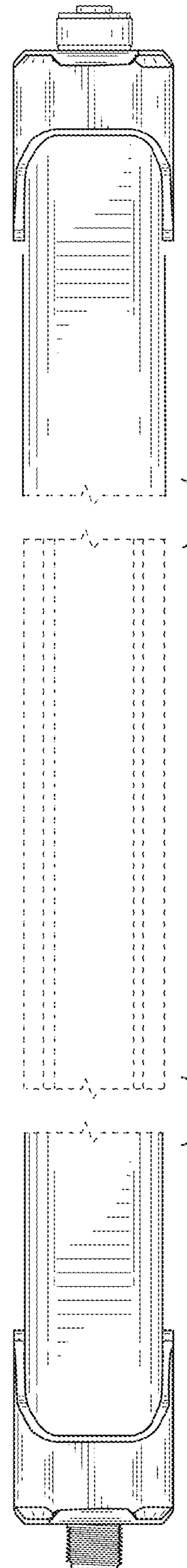


FIG. 14

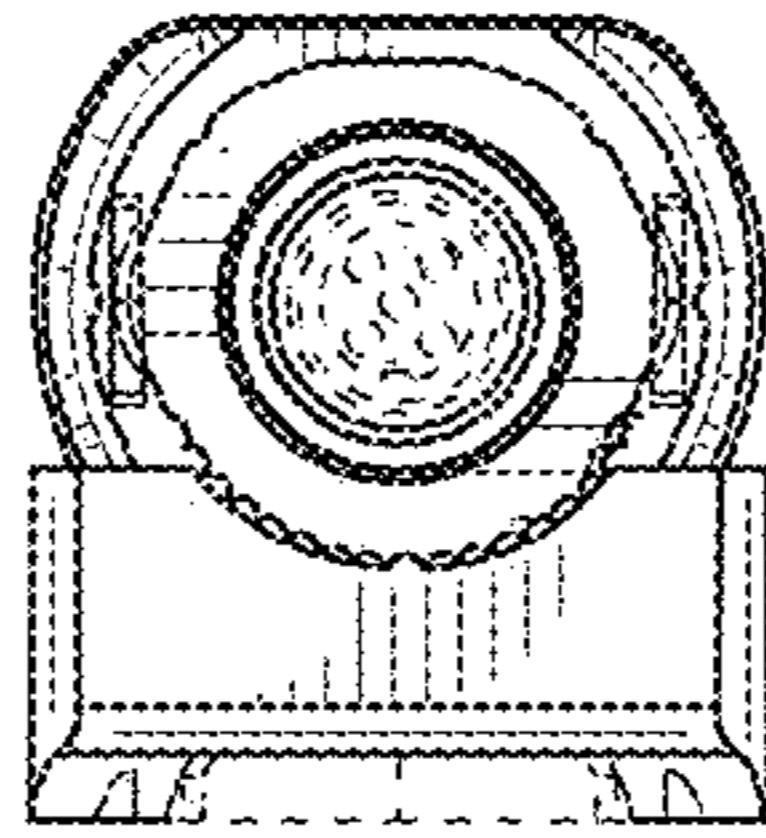


FIG. 15

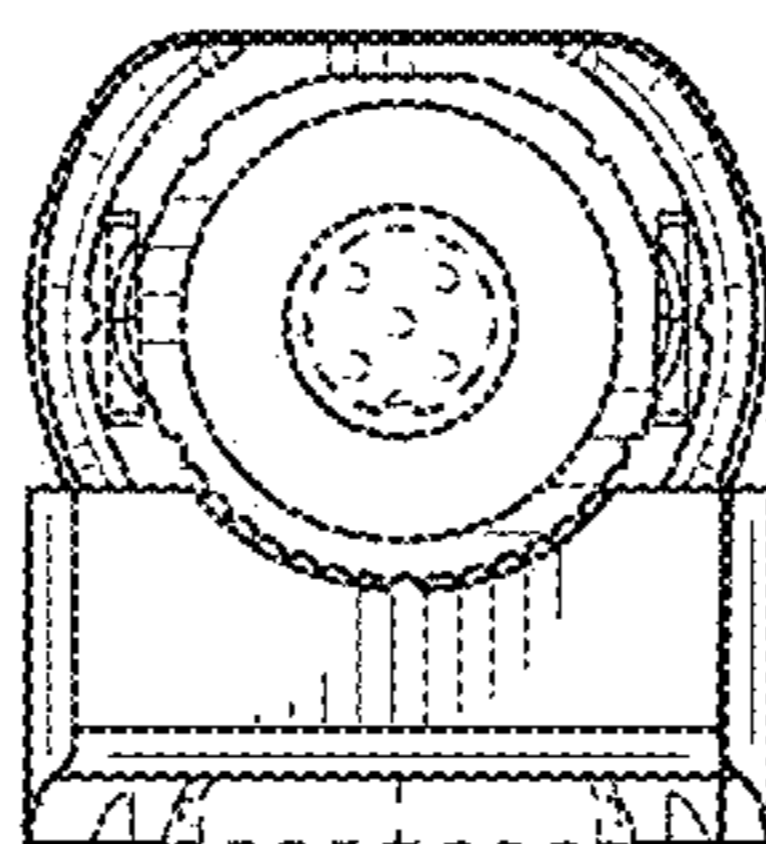


FIG. 16