



US00D970055S

(12) **United States Design Patent**
Loughran

(10) **Patent No.:** **US D970,055 S**

(45) **Date of Patent:** **** Nov. 15, 2022**

(54) **MODULAR FLOOR PANEL LOCKING SYSTEM**

(71) Applicant: **James Loughran**, Island Park, NY (US)

(72) Inventor: **James Loughran**, Island Park, NY (US)

(**) Term: **15 Years**

(21) Appl. No.: **29/780,504**

(22) Filed: **Apr. 25, 2021**

(51) **LOC (13) Cl.** **25-01**

(52) **U.S. Cl.**
USPC **D25/138**

(58) **Field of Classification Search**
USPC D25/138; D21/479
CPC E04F 15/02005; E04F 15/02016; E04F 15/02011; E04F 2015/02122; E04F 2015/14; E04F 2001/0505; E04F 2001/0523; E04F 2001/09; E04F 2201/09; E04F 2201/093; E04F 2201/098
See application file for complete search history.

(56) **References Cited**

U.S. PATENT DOCUMENTS

3,500,606	A	3/1970	Martin	
4,287,693	A	9/1981	Collette	
4,577,448	A	3/1986	Howorth	
5,118,547	A	6/1992	Chen	
5,202,166	A	4/1993	Crompton	
5,205,091	A *	4/1993	Brown E04F 15/02429 52/126.6
6,006,486	A	12/1999	Moriau	
6,647,684	B1 *	11/2003	Gank E04F 15/02005 52/456
7,052,200	B2	5/2006	Harris	
7,841,145	B2	11/2010	Pervan	

7,958,688	B2	6/2011	Vilar Llop et al.	
8,006,458	B1	8/2011	Olofsson	
8,071,186	B1 *	12/2011	Quimby A47G 27/0206 52/177
D694,433	S *	11/2013	Justin D25/138
8,881,482	B2	11/2014	Cerny	
9,010,067	B2	4/2015	Baker	
9,376,806	B2	6/2016	Meyer	
D907,812	S *	1/2021	Brugger D25/138
2003/0061774	A1	4/2003	Lin	
2004/0172904	A1	9/2004	Martensson	
2004/0255540	A1	12/2004	Wang	
2007/0286971	A1	12/2007	Cooper	
2009/0031662	A1	2/2009	Chen	
2009/0056016	A1 *	3/2009	Zack E04F 15/22 5/417

(Continued)

Primary Examiner — Doris Clark

(74) *Attorney, Agent, or Firm* — Quickpatents, LLC; Kevin Prince

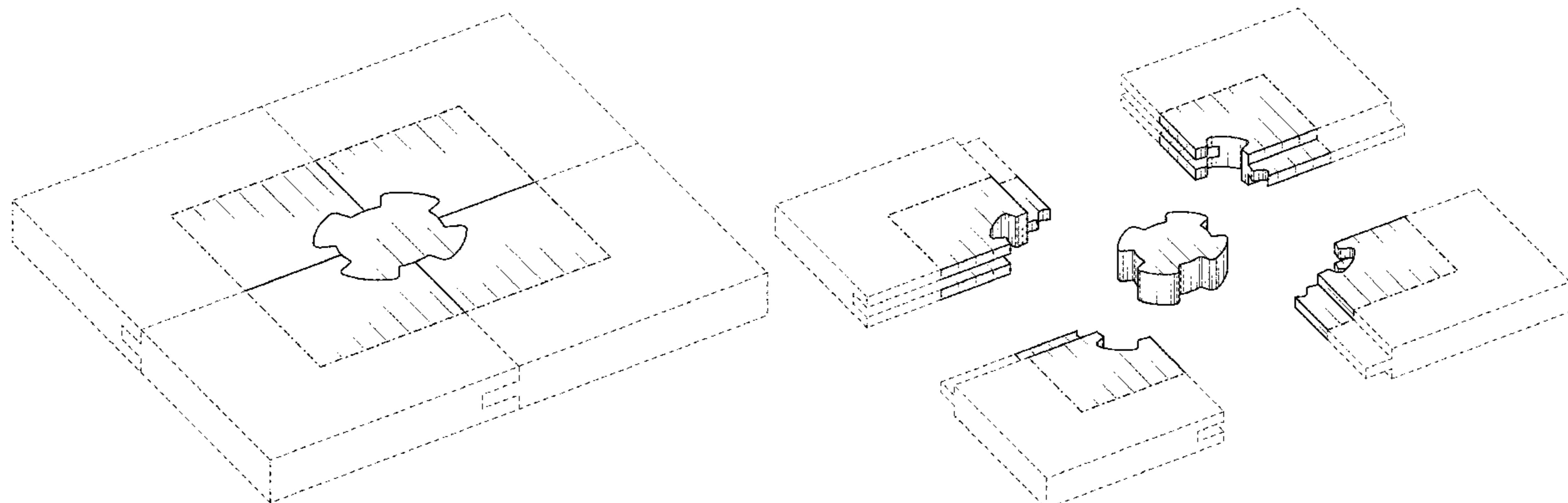
(57) **CLAIM**

The ornamental design for a modular floor panel locking system, as shown and described.

DESCRIPTION

FIG. 1 is a perspective view of a modular floor panel locking system, showing my new design; FIG. 2 is an exploded perspective view thereof; FIG. 3 is an exploded top plan view of FIG. 2; FIG. 4 is an exploded bottom plan view of FIG. 2; FIG. 5 is an exploded front elevational view thereof; FIG. 6 is an exploded rear elevational view thereof; FIG. 7 is an exploded left-side elevational view thereof; and, FIG. 8 is an exploded right-side elevational view thereof. The broken lines showing portions of the tiles depicted in the figures illustrate portions of the modular floor panel locking system that form no part of the claimed design. The dot-dash type broken line represents a boundary of the design.

1 Claim, 4 Drawing Sheets



(56)

References Cited

U.S. PATENT DOCUMENTS

2009/0107077	A1	4/2009	Zhang
2010/0269441	A1	10/2010	Fenollosa Esteve
2011/0179728	A1	7/2011	Cerny
2012/0266557	A1	10/2012	Kuo
2013/0042567	A1	2/2013	Zhu
2013/0178130	A1	7/2013	Blint
2014/0041332	A1	2/2014	Speidel
2014/0272241	A1	9/2014	Meyer
2014/0333022	A1	11/2014	Wang
2017/0058535	A1	3/2017	Jiang
2017/0260756	A1	9/2017	Seitner
2019/0383026	A1	12/2019	Bergelin

* cited by examiner

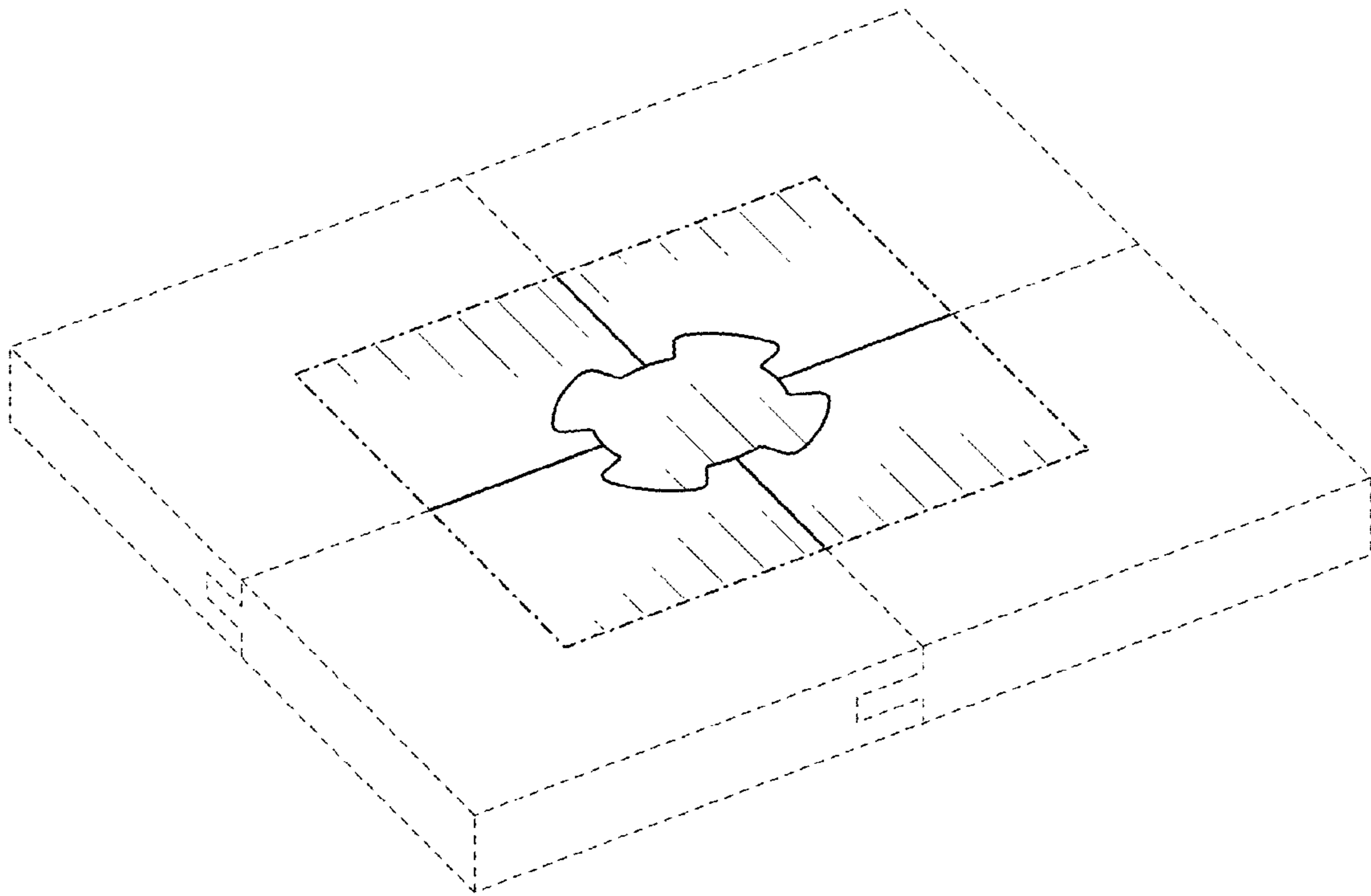


FIG. 1

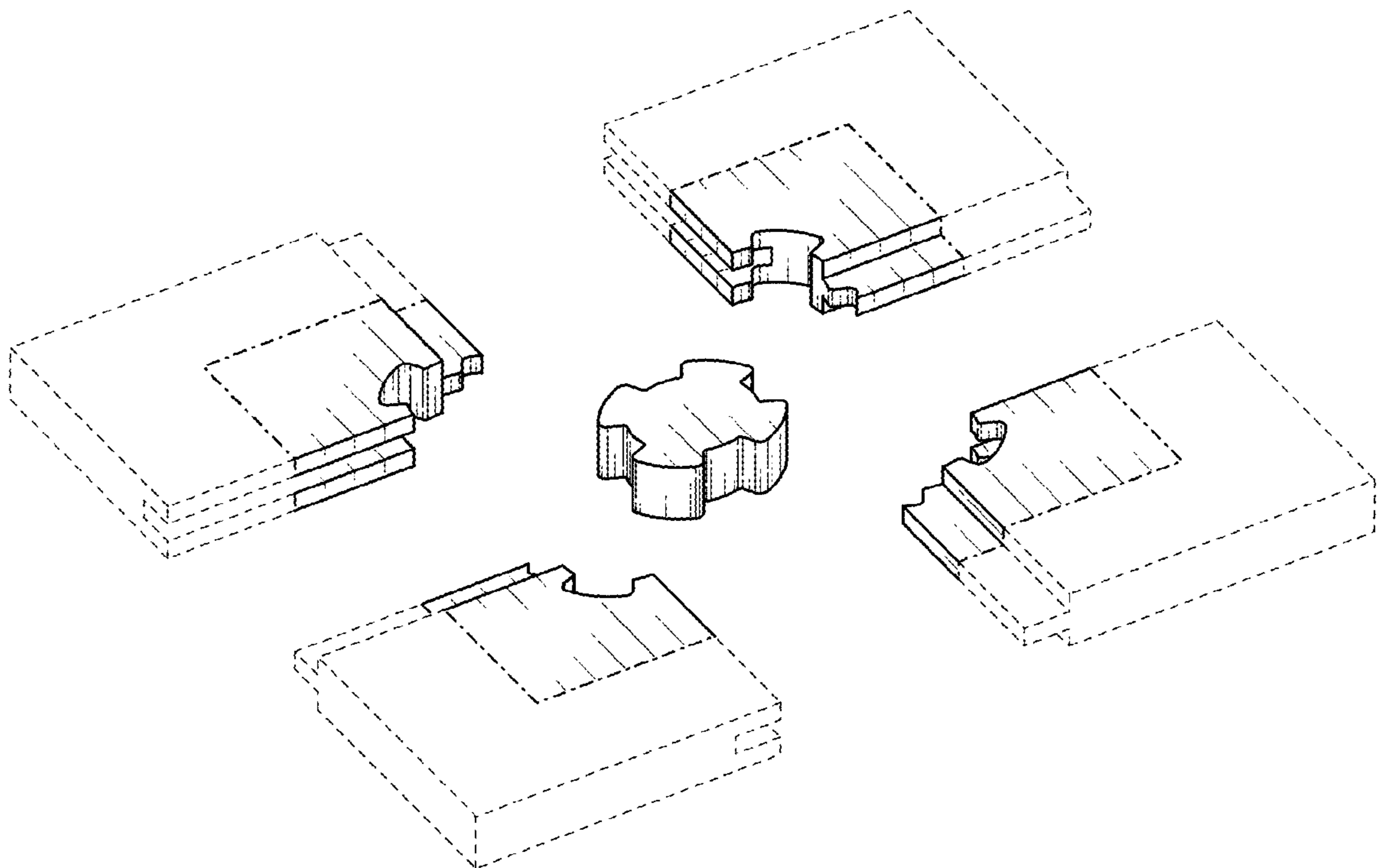


FIG. 2

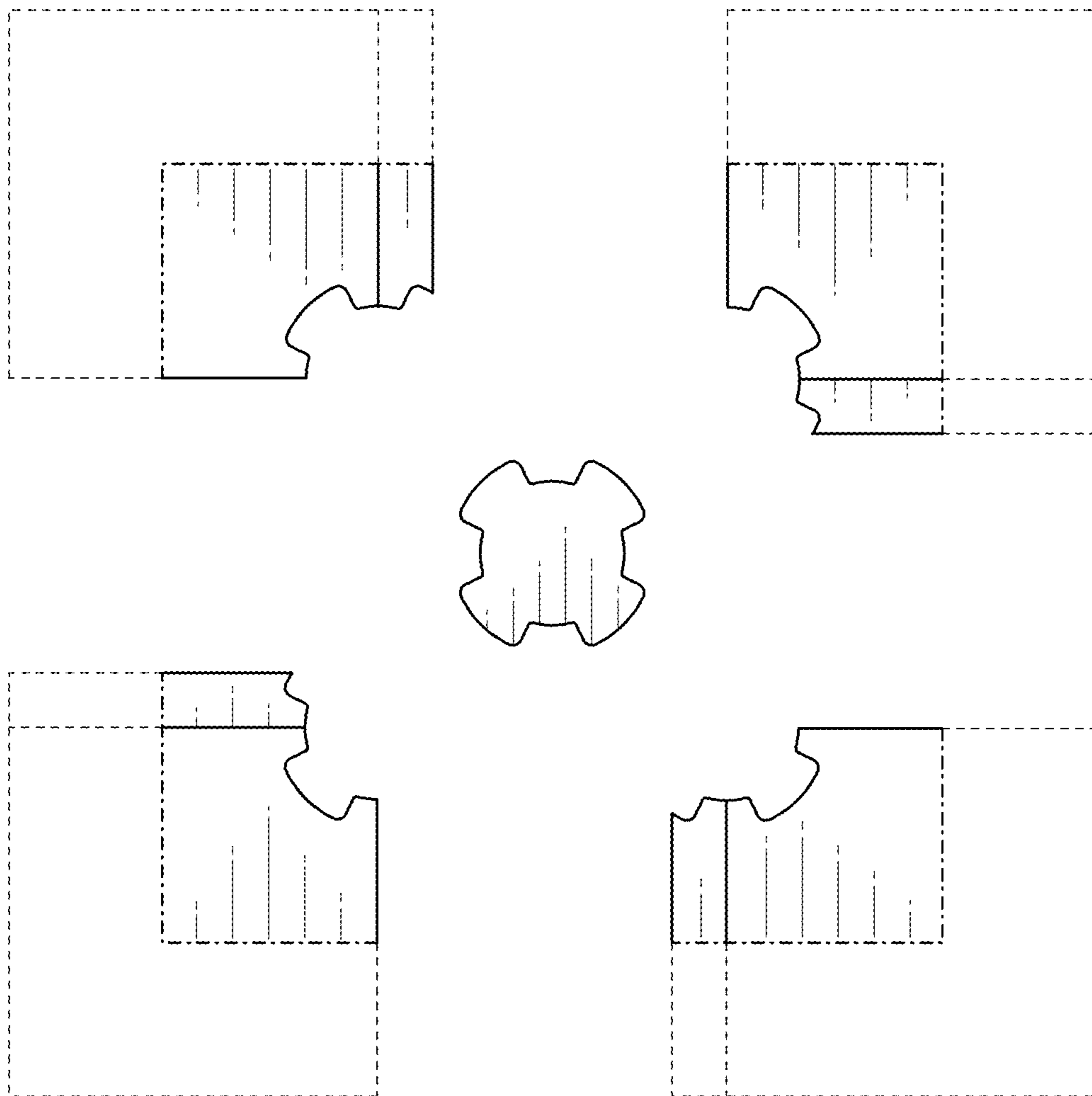


FIG. 3

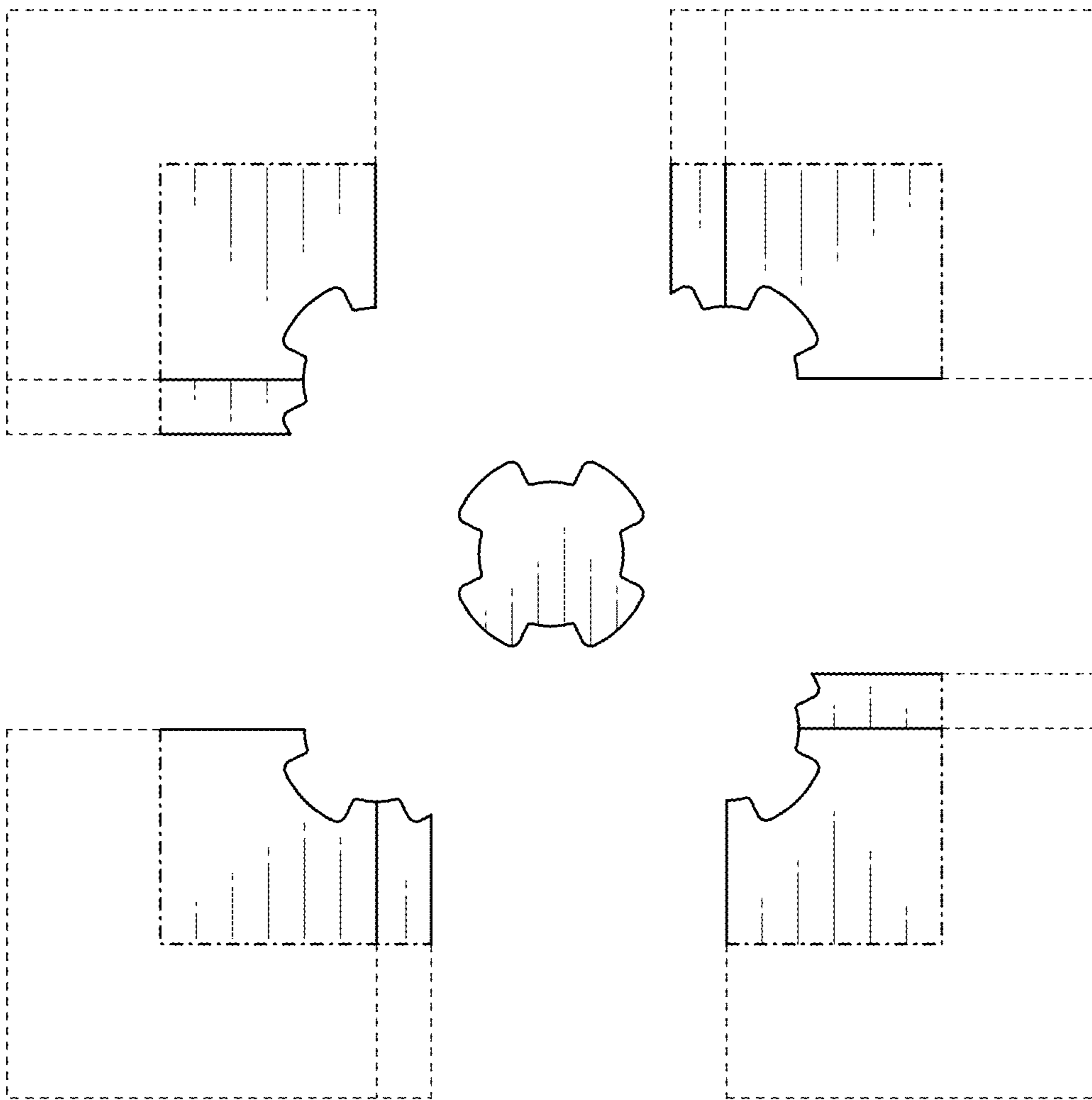


FIG. 4



FIG. 5



FIG. 6



FIG. 7



FIG. 8