



US00D970053S

(12) **United States Design Patent** (10) **Patent No.:** **US D970,053 S**
Crawley et al. (45) **Date of Patent:** **** Nov. 15, 2022**

(54) **BASE FOR POSTS**

(71) Applicant: **Tensator Group Ltd**, Milton Keynes (GB)
(72) Inventors: **Peter James Crawley**, Milton Keynes (GB); **Tommy Coe**, Milton Keynes (GB)
(**) Term: **15 Years**
(21) Appl. No.: **35/512,965**
(22) Filed: **Nov. 3, 2021**

(80) **Hague Agreement Data**

Int. Filing Date: **Nov. 3, 2021**
Int. Reg. No.: **DM/217294**
Int. Reg. Date: **Nov. 3, 2021**
Int. Reg. Pub. Date: **Nov. 19, 2021**

(51) **LOC (13) Cl.** **25-01**

(52) **U.S. Cl.**
USPC **D25/133**

(58) **Field of Classification Search**

USPC D25/125, 126, 127, 128, 129, 130, 131, D25/132, 133, 134, 135, 136, 60, 61, 119, D25/121, 124, 138, 164; D8/363, 364, D8/381
CPC E04C 2003/0482; E04C 2003/0434; E04C 2003/043; E04C 2003/0465; E04C 3/30; E04H 17/1413; E04H 17/063; E04H 14/16; E04H 17/20; E04H 12/2261; E04B 2/7881; Y10S 256/05; A47B 96/07; E04F 11/1812; E04G 21/3223

See application file for complete search history.

(56) **References Cited**

U.S. PATENT DOCUMENTS

D470,601 S *	2/2003	Kohlberger	D25/133
D513,536 S *	1/2006	Walker	D25/133
D530,834 S *	10/2006	Navare	D25/133
D531,325 S *	10/2006	Navare	D25/133
D739,563 S *	9/2015	Whiteley	D25/133
D752,775 S *	3/2016	Stacey	D25/133
D767,167 S *	9/2016	Masuda	D25/133
D782,708 S *	3/2017	Key	D25/133
D790,082 S *	6/2017	Guinn	D25/133
D856,537 S *	8/2019	Crawley	D25/131
D908,248 S *	1/2021	Crawley	D25/133
11,208,774 B2 *	12/2021	Crawley	E01F 13/028

* cited by examiner

Primary Examiner — Samantha Q Lawrence

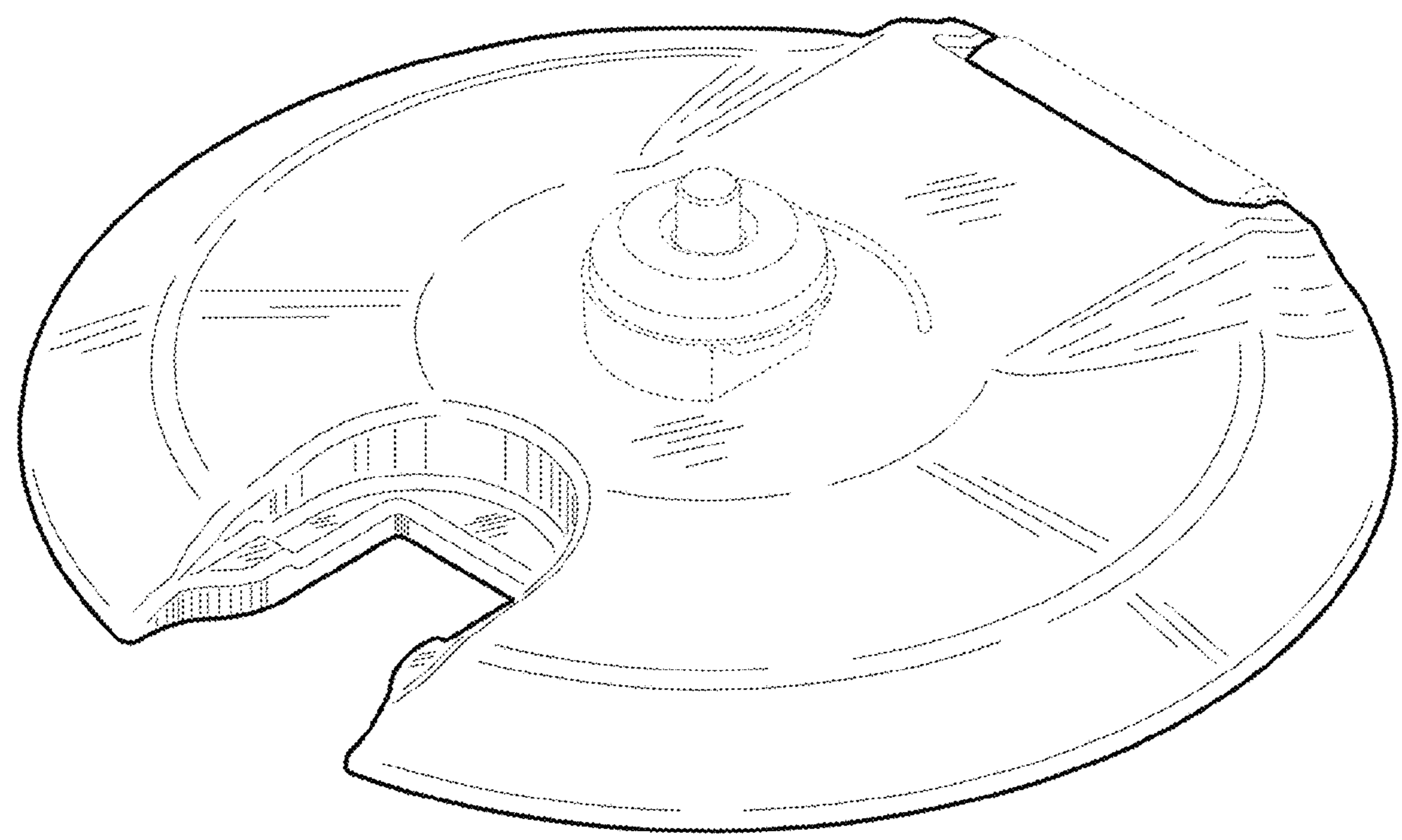
(57) **CLAIM**

The ornamental design for a base for posts, as shown and described.

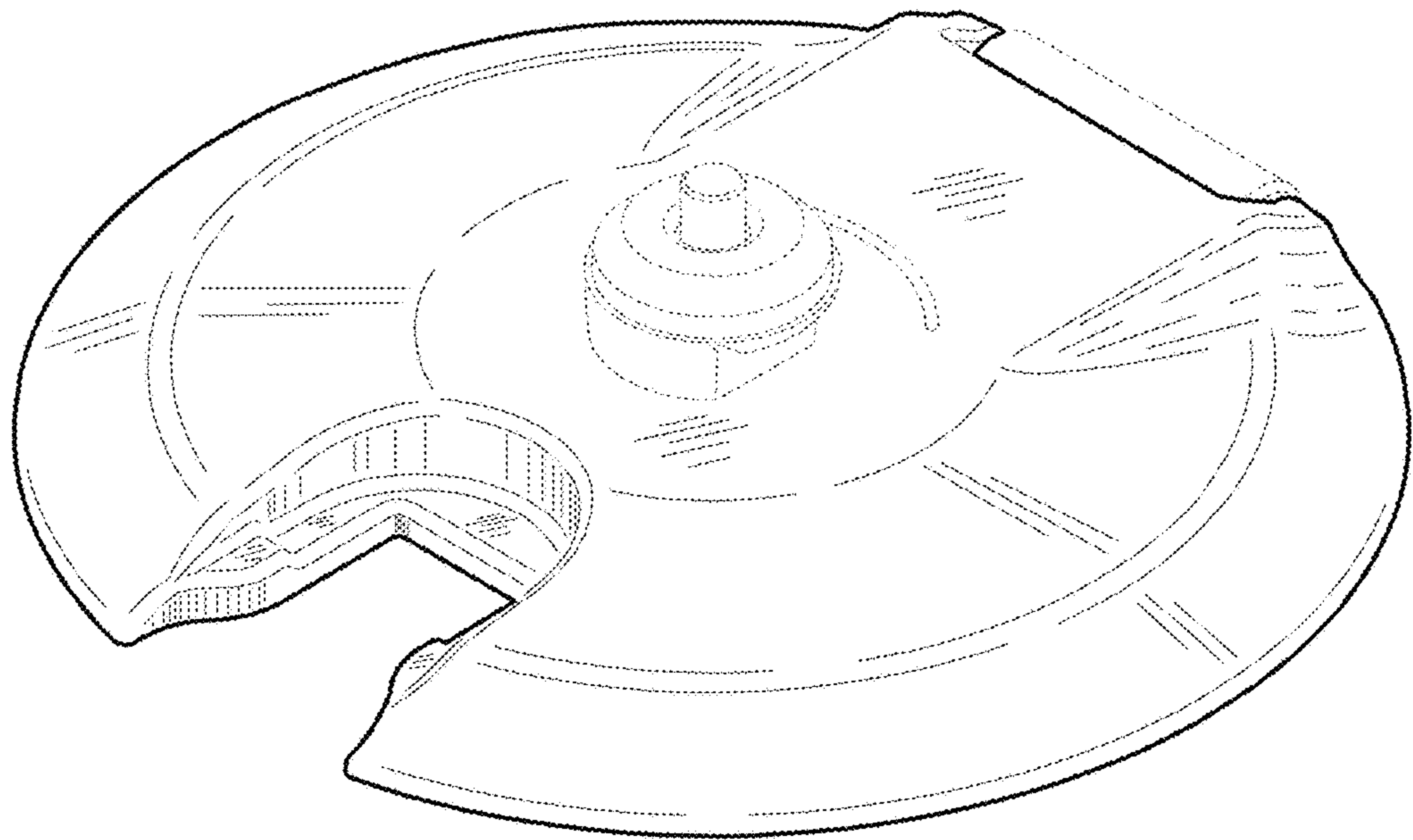
DESCRIPTION

1. Base for posts
Figure 1.1 is a perspective view of a base for posts;
Figure 1.2 is a top view thereof;
Figure 1.3 is a top view thereof;
Figure 1.4 is a back view thereof;
Figure 1.5 is a left view thereof;
Figure 1.6 is a front view thereof; and
Figure 1.7 is a right view thereof.

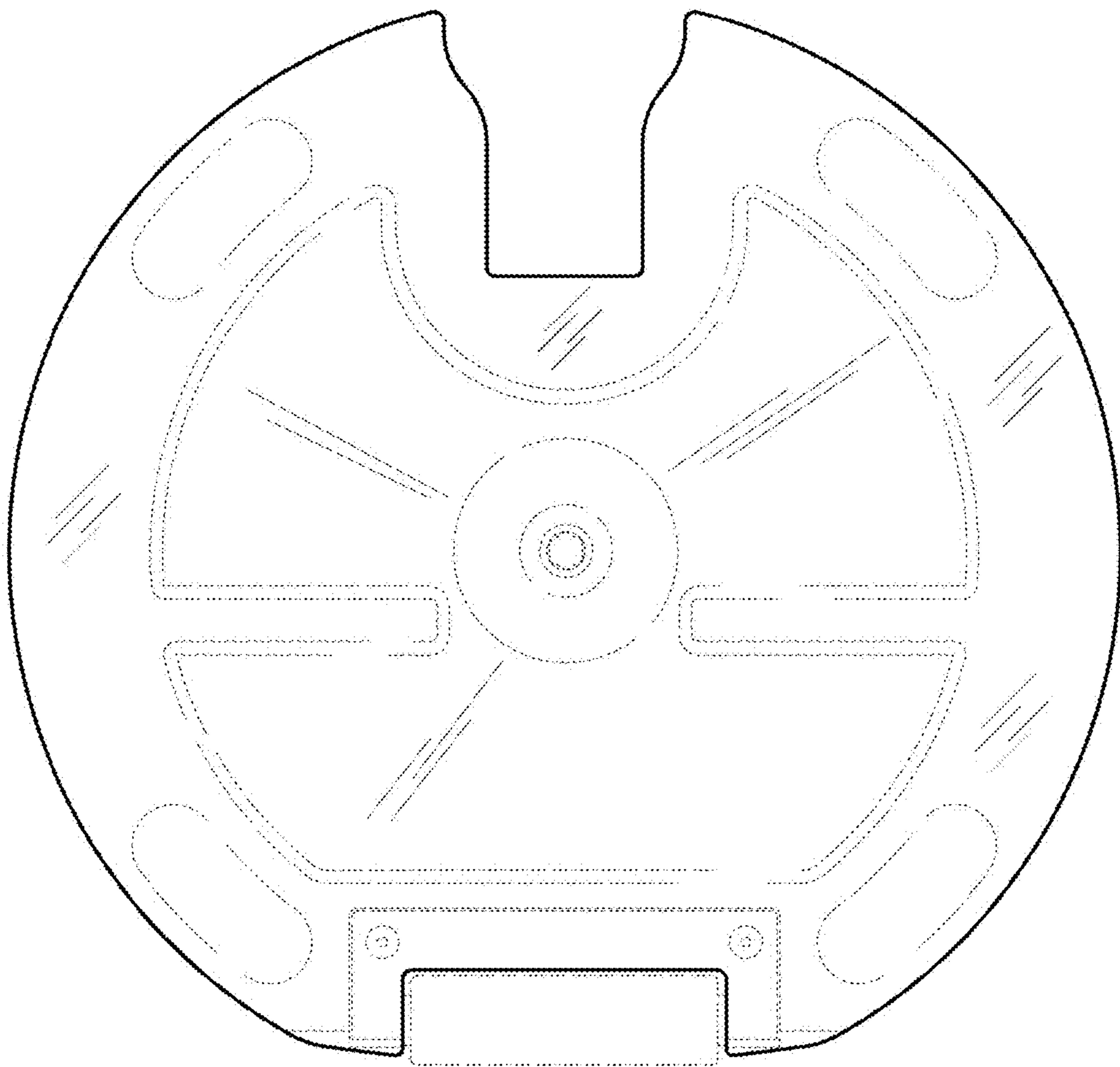
1 Claim, 7 Drawing Sheets



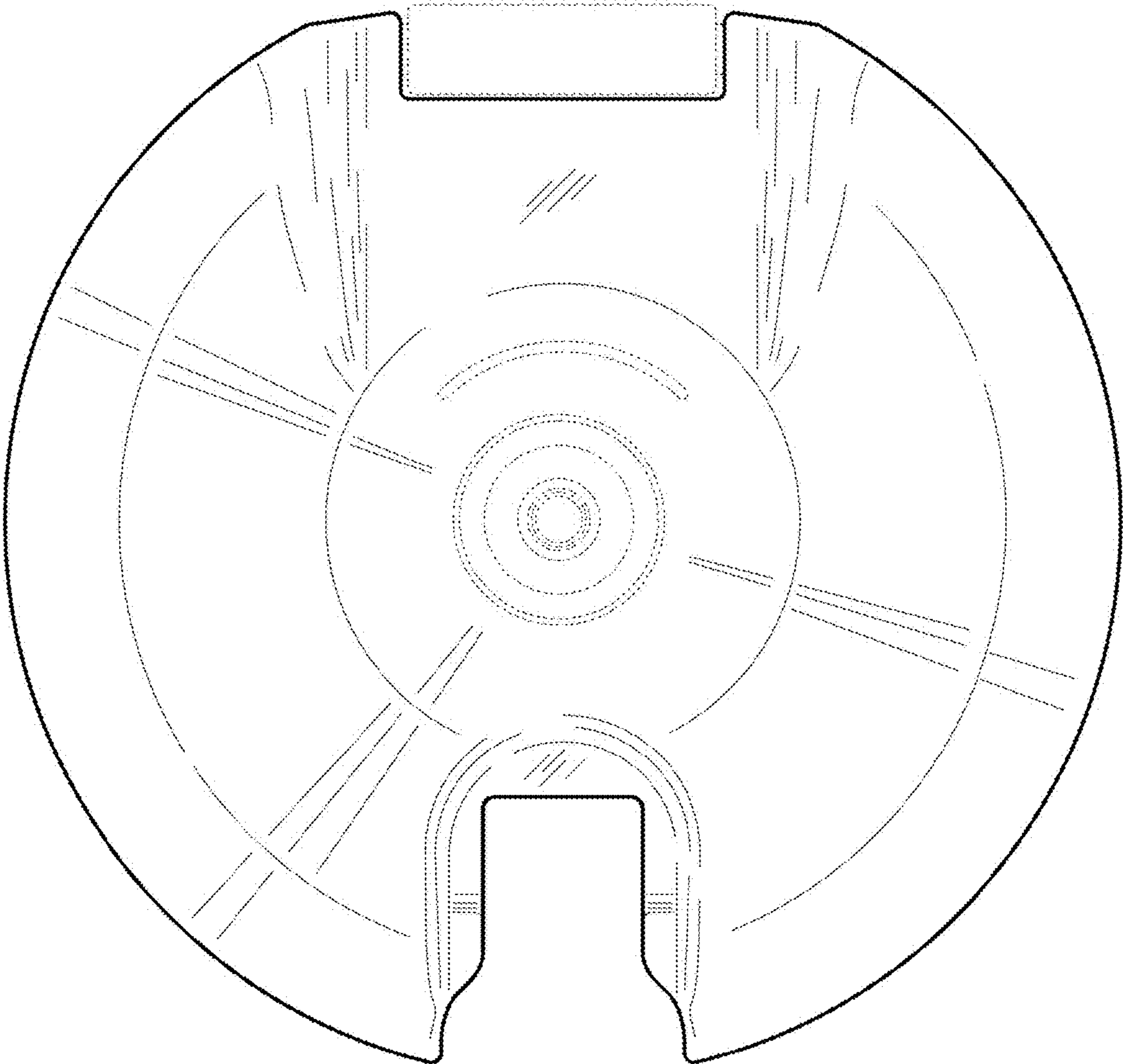
1.1



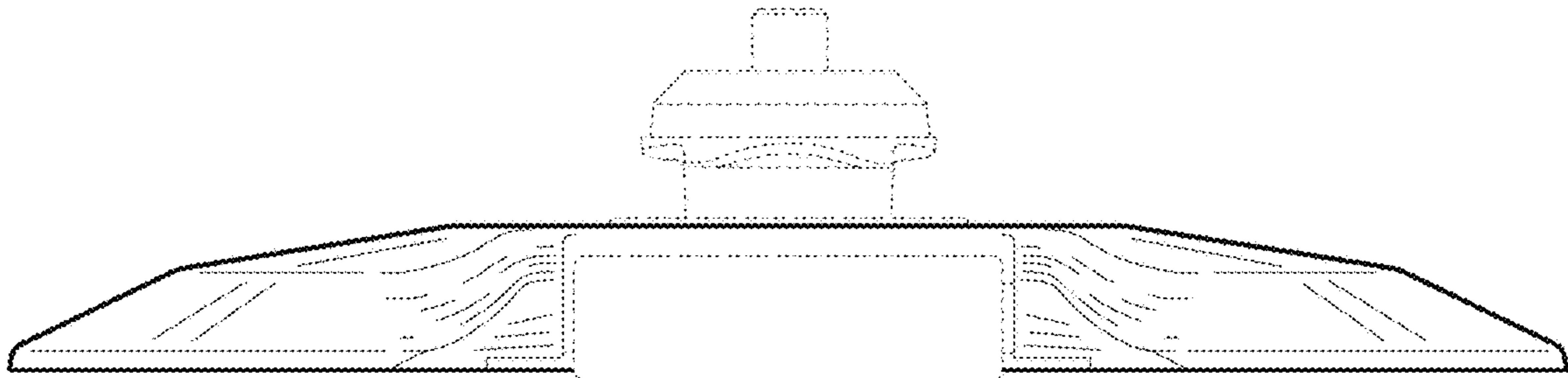
1.2



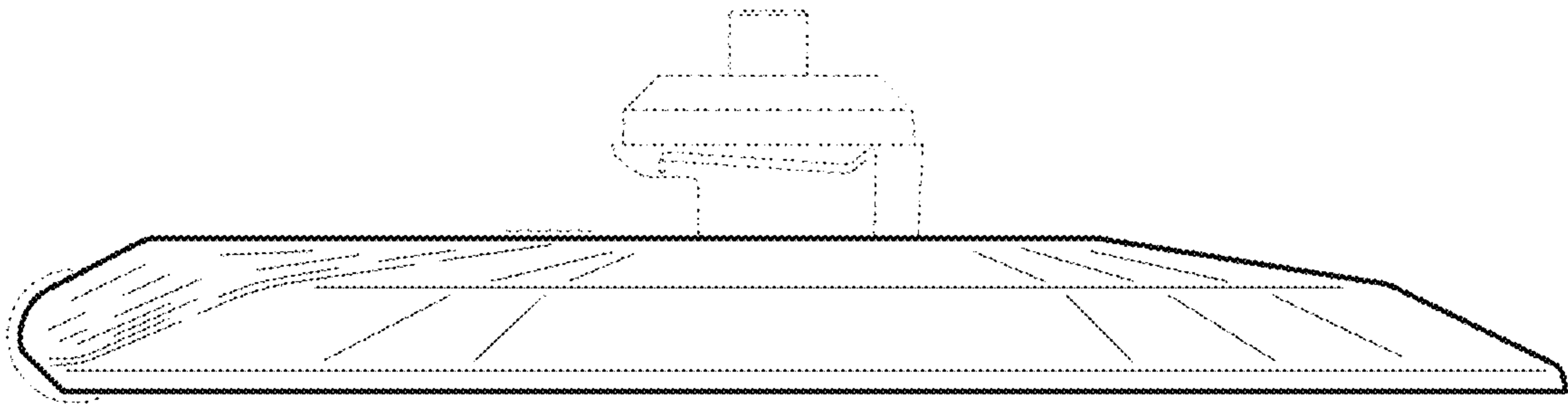
1.3



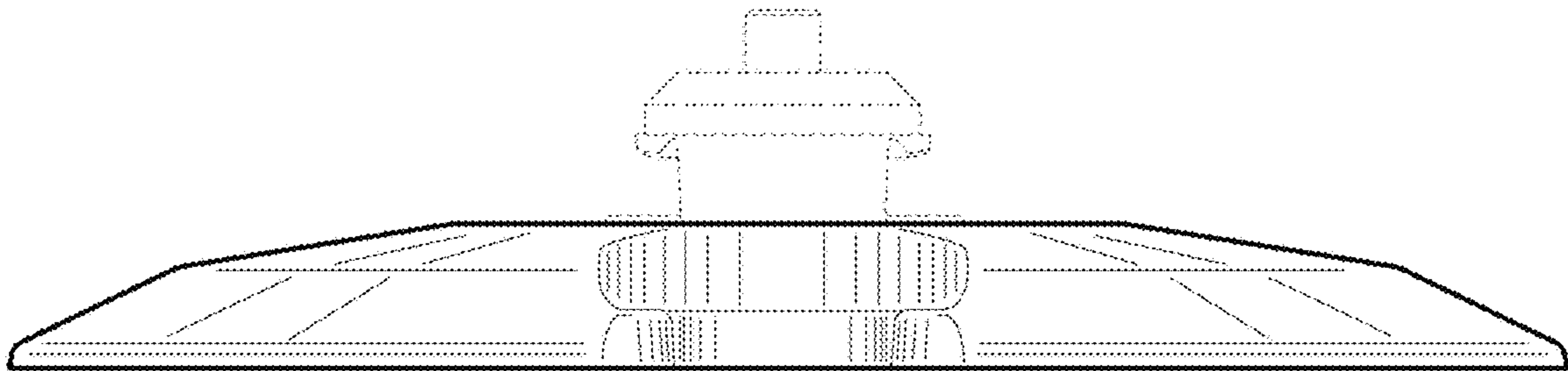
1.4



1.5



1.6



1.7

