



US00D970048S

(12) **United States Design Patent** (10) **Patent No.:** **US D970,048 S**
Anger (45) **Date of Patent:** **** Nov. 15, 2022**

(54) **INTERNAL CORNER STRIP** 8,511,016 B2 * 8/2013 Smythe, Jr. E04F 13/06
52/287.1
(71) Applicant: **James Hardie Technology Limited,** 8,756,886 B1 * 6/2014 Grant E04F 13/0733
Dublin (IE) 52/287.1
D800,923 S * 10/2017 Gonzales D25/121

(72) Inventor: **Jesse Anger,** Sydney (AU)

* cited by examiner

(73) Assignee: **James Hardie Technology Limited,**
Dublin (IE)

Primary Examiner — Doris Clark

(**) Term: **15 Years**

(74) *Attorney, Agent, or Firm* — Knobbe Martens Olson
& Bear, LLP

(21) Appl. No.: **29/786,643**

(57) **CLAIM**

(22) Filed: **Jun. 1, 2021**

The ornamental design for an internal corner strip, as shown
and described.

(30) **Foreign Application Priority Data**

DESCRIPTION

Dec. 7, 2020 (AU) 202016612

(51) **LOC (13) Cl.** **25-01**

(52) **U.S. Cl.**
USPC **D25/122**

(58) **Field of Classification Search**
USPC D25/55, 121, 123, 125, 164, 122
CPC . E04F 13/0733; E04F 13/0839; E04F 19/028;
E04F 19/0486; E04F 19/0495; E04F
19/061; E04F 19/064; E04F 2013/063;
E04F 21/1655

FIG. 1 is a lower right perspective view of an internal corner
strip embodying our new design;
FIG. 2 is a bottom view of the internal corner strip of FIG.
1, the top being a mirror image thereof;
FIG. 3 is a front view of the internal corner strip of FIG. 1,
the right side being a mirror image thereof; and,
FIG. 4 is a left side view of the internal corner strip of FIG.
1, the back being a mirror image thereof.

See application file for complete search history.

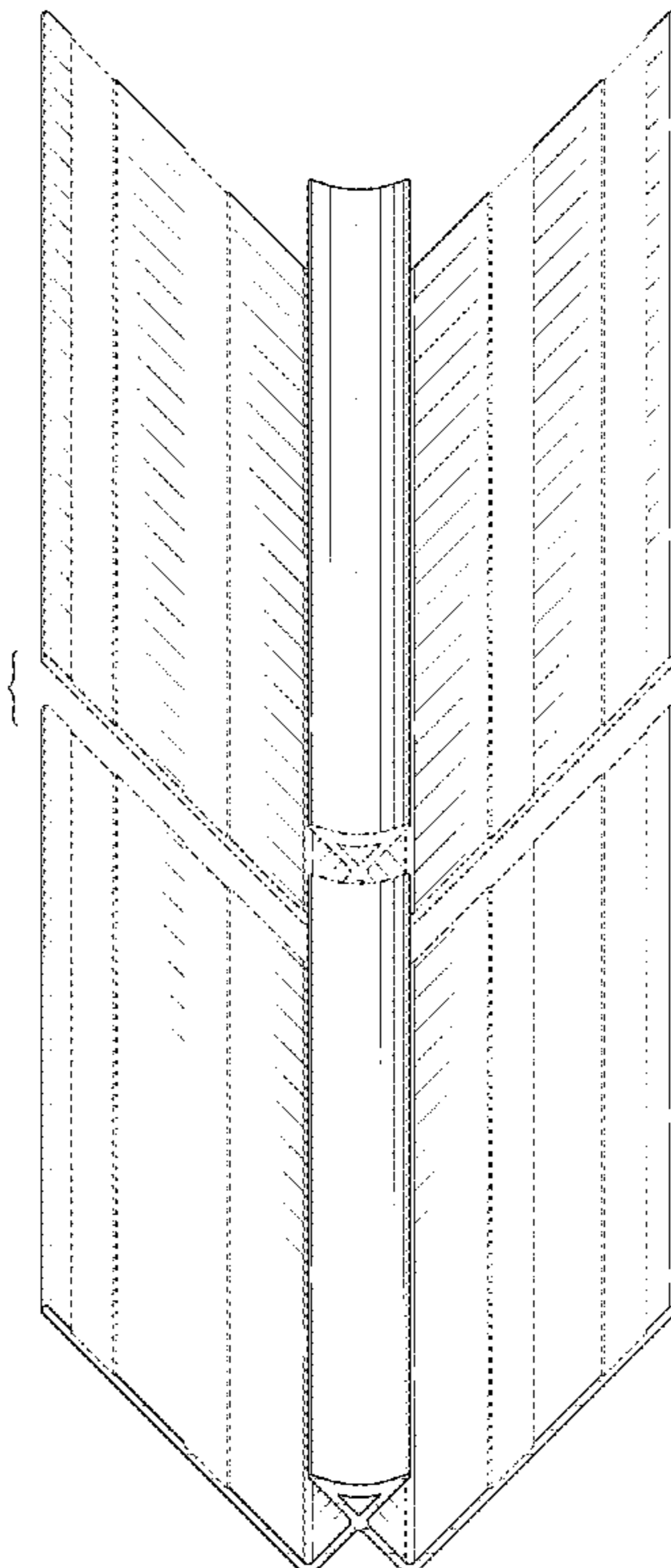
The drawings contain a symbolic break indicated in dot-dash
broken lines. The portion between the break lines forms no
part of the claimed design. The dash-dash broken lines
illustrate portions of the internal corner strip that form no
part of the claimed design.

(56) **References Cited**

U.S. PATENT DOCUMENTS

1 Claim, 4 Drawing Sheets

D606,672 S * 12/2009 Southwell D25/122
D630,340 S * 1/2011 Southwell D25/123



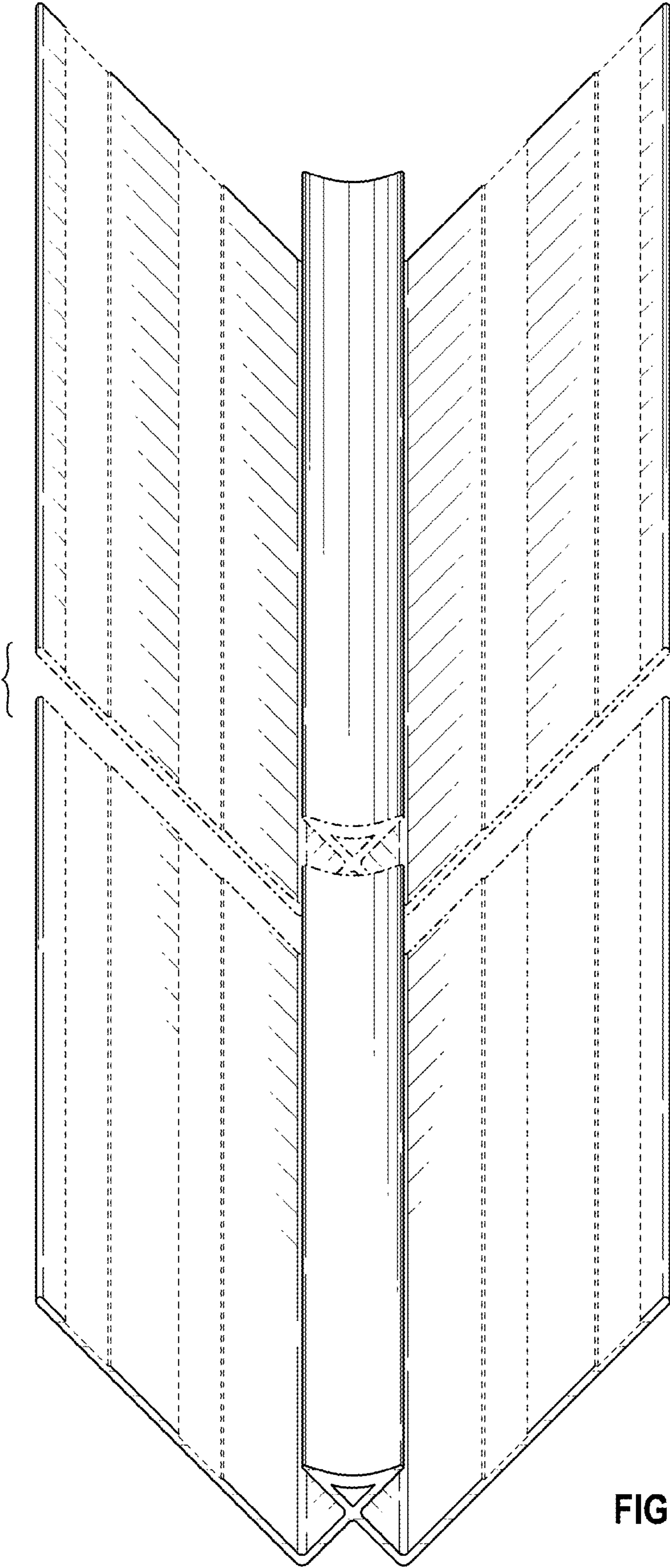


FIG. 1

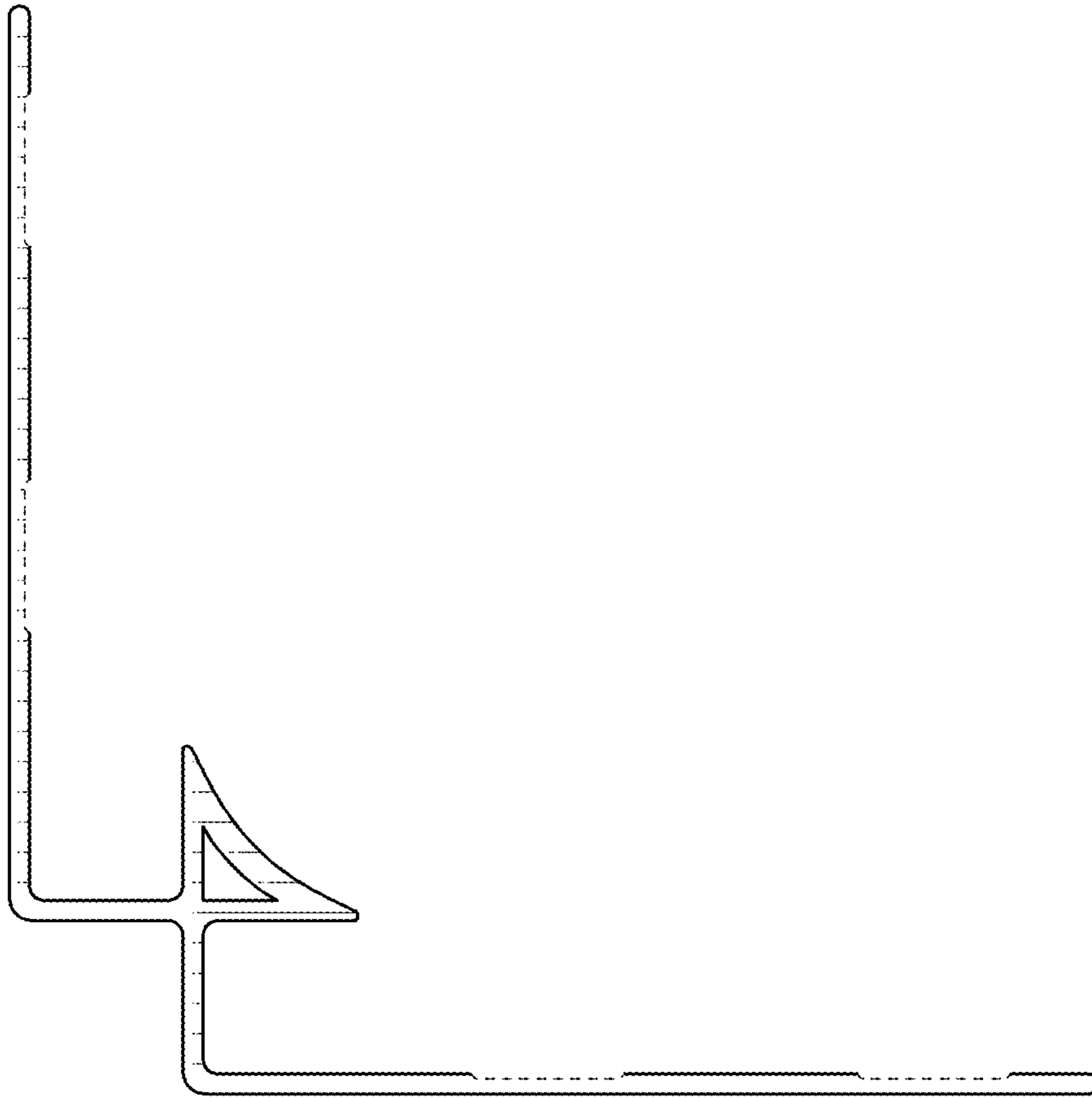


FIG. 2

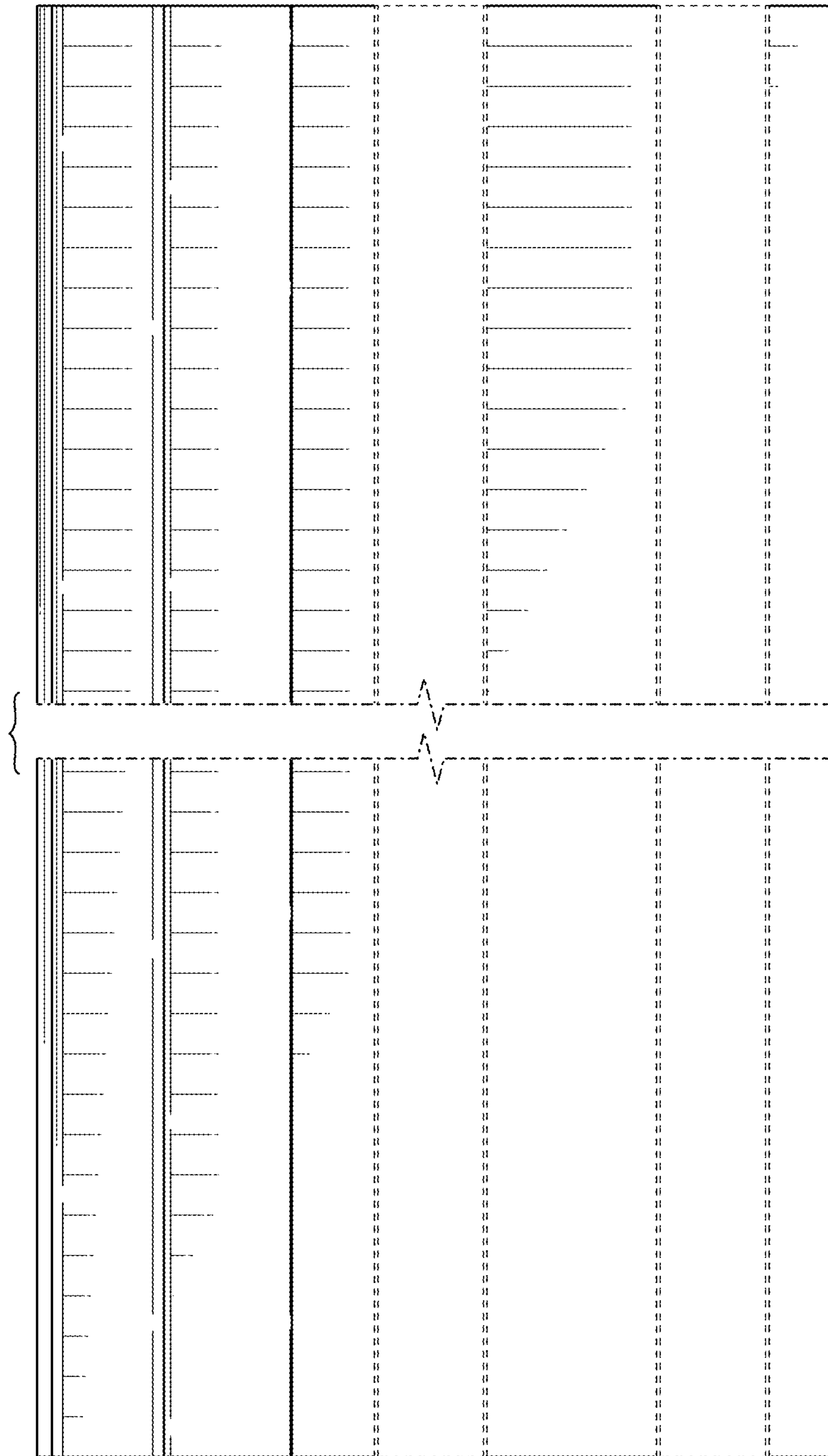


FIG. 3

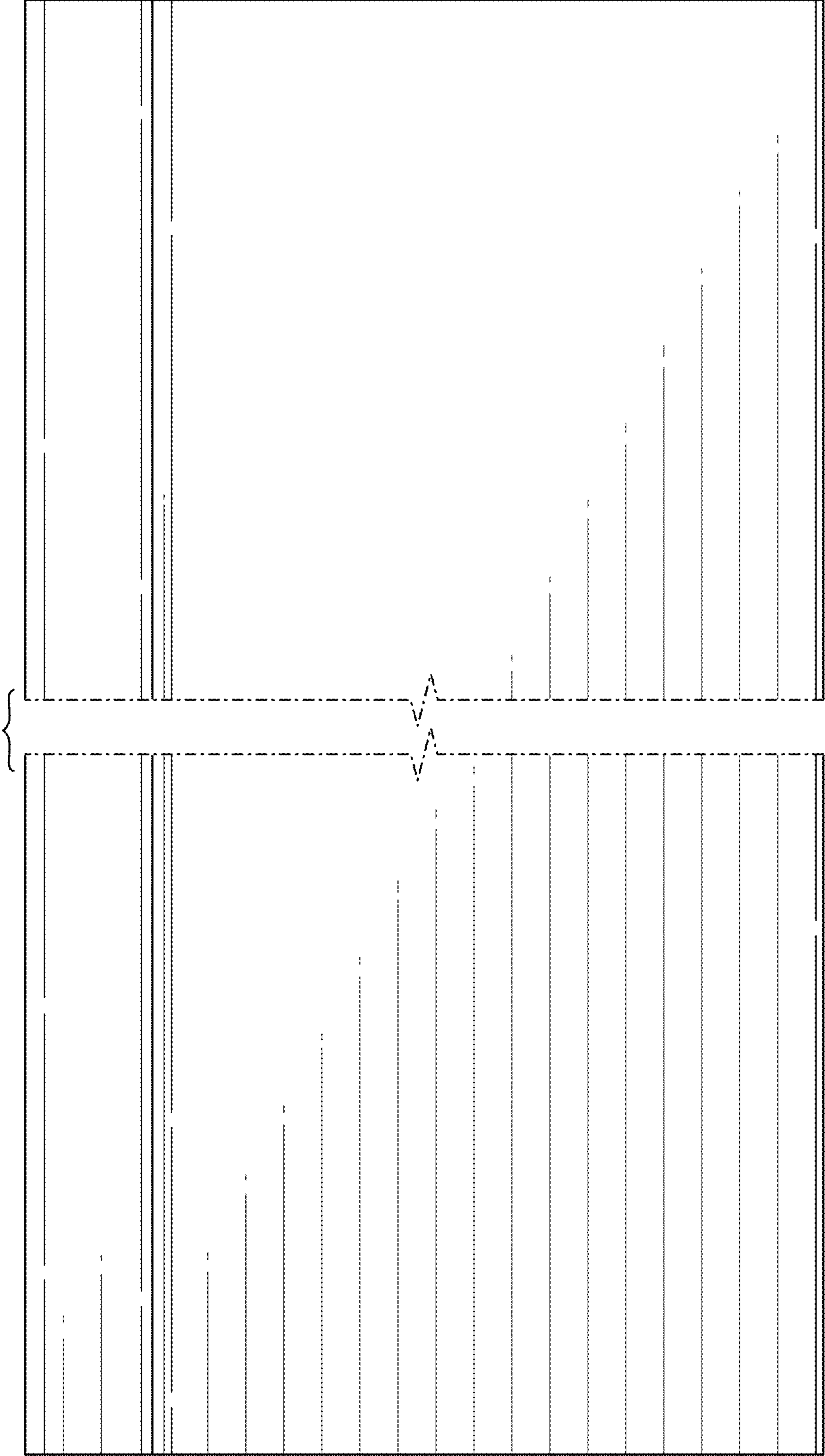


FIG. 4