



US00D970047S

(12) **United States Design Patent** (10) **Patent No.:** **US D970,047 S**
Suga (45) **Date of Patent:** **** Nov. 15, 2022**

- (54) **CONCRETE BUILDING BLOCK**
- (71) Applicant: **ASURO Co., LTD.**, Shiraoka (JP)
- (72) Inventor: **Masaaki Suga**, Saitama (JP)
- (73) Assignee: **ASURO Co., LTD.**, Shiraoka (JP)
- (**) Term: **15 Years**
- (21) Appl. No.: **29/805,201**
- (22) Filed: **Aug. 25, 2021**

- D225,846 S 1/1973 Cruzen
- 3,855,752 A 12/1974 Aylon
- D245,999 S 10/1977 Strigle, Jr. et al.
- 4,094,380 A 6/1978 Kobayashi et al.
- 4,473,985 A 10/1984 Hunt
- 4,485,604 A 12/1984 Palamara et al.
- 5,048,250 A 9/1991 Elias
- 5,729,943 A 3/1998 Cambiuzzi
- D409,313 S 5/1999 Behunin
- D633,630 S 3/2011 Jacot et al.
- D655,021 S 2/2012 Oetlinger
- D893,053 S 8/2020 Bott

(Continued)

Related U.S. Application Data

- (62) Division of application No. 35/509,488, filed on Nov. 26, 2019 (U.S. filing date under 35 U.S.C. 384), and having an international filing date of Nov. 26, 2019, now Pat. No. Des. 945,643.

Foreign Application Priority Data

- (30) Jun. 5, 2019 (JP) 2019-012383 D

- (51) **LOC (13) Cl.** **25-01**

- (52) **U.S. Cl.**
USPC **D25/115**

- (58) **Field of Classification Search**
USPC D8/373; D10/113.3; D21/484, 485, 486, D21/489, 491, 494, 499; D25/38.1, 48.2, D25/48.4, 60, 112-116, 118, 119, 136, D25/138, 140, 141, 134, 156, 163, 199
CPC E04B 2/18; E04B 2/46; E04B 2/54; E04B 2002/0208; E04C 1/41
See application file for complete search history.

References Cited

U.S. PATENT DOCUMENTS

- D68,612 S 11/1925 Branciforti
- D138,256 S 7/1944 McCammon
- 2,498,276 A 2/1950 Kany

FOREIGN PATENT DOCUMENTS

- GB 8204710000-1000 11/2019
- GB 8204710000-2000 11/2019

(Continued)

Primary Examiner — Richard Kearney

(74) *Attorney, Agent, or Firm* — Saidman DesignLaw Group, LLC

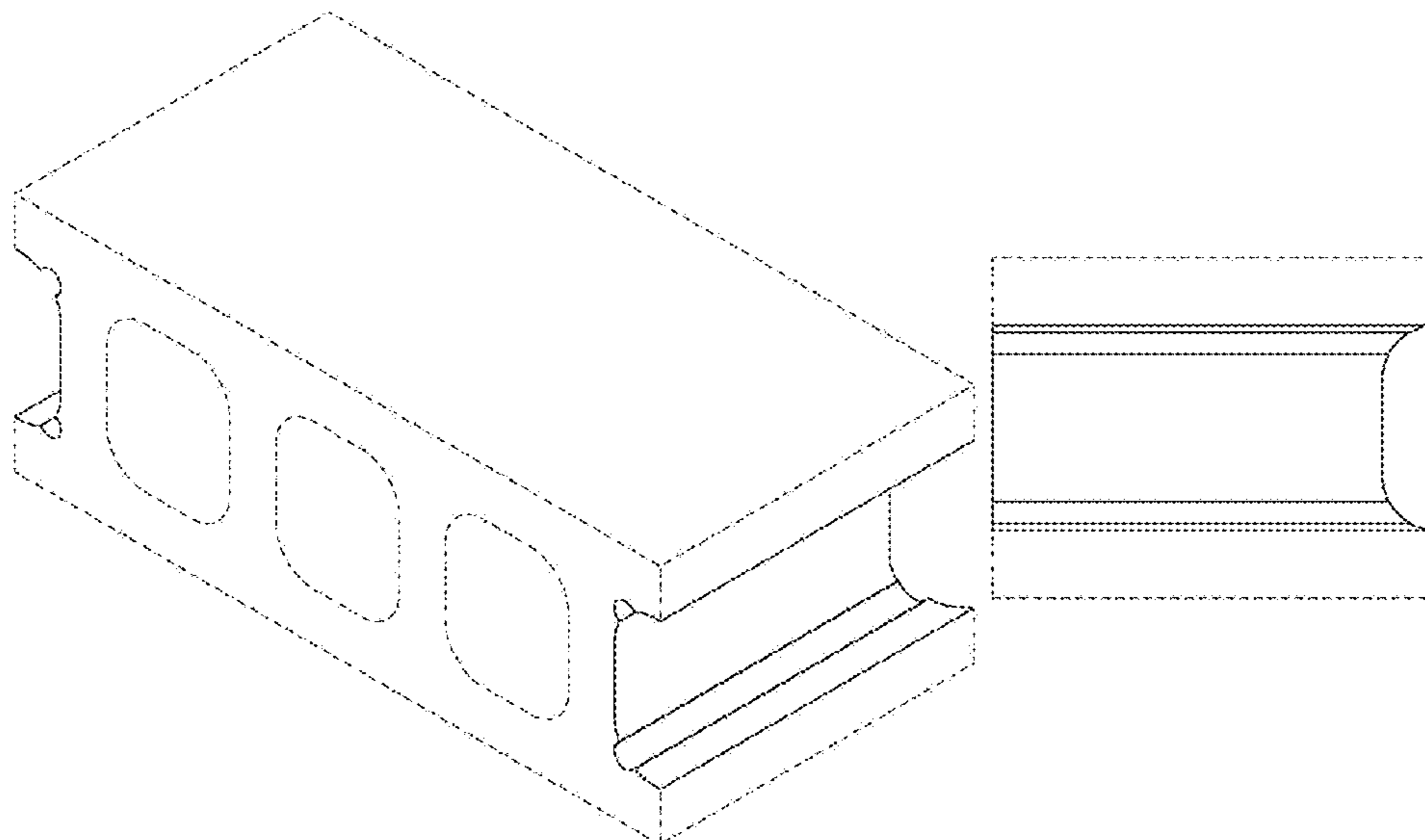
(57) **CLAIM**

The ornamental design for a concrete building block, as shown and described.

DESCRIPTION

FIG. 1 is a perspective view of a concrete building block showing my new design;
 FIG. 2 is a front view thereof;
 FIG. 3 is a rear view thereof;
 FIG. 4 is a top view thereof;
 FIG. 5 is a bottom view thereof;
 FIG. 6 is a right side view thereof;
 FIG. 7 is a left side view thereof; and,
 FIG. 8 is a cross-sectional view taken along lines 8-8 of FIG. 2 thereof.
 The broken lines illustrate portions of the concrete building block which form no part of the claimed design.

1 Claim, 8 Drawing Sheets



(56)

References Cited

U.S. PATENT DOCUMENTS

D902,444	S	11/2020	Suga	
D915,627	S	4/2021	Phan et al.	
D945,643	S *	3/2022	Suga	D25/115
D953,580	S *	5/2022	Suga	D25/115
2015/0218805	A1	8/2015	Jensen	
2020/0032513	A1	1/2020	Devito	

FOREIGN PATENT DOCUMENTS

JP	1544209	2/2016
JP	D1591307	11/2017
JP	D1620659	12/2018
VN	35743	5/2019

* cited by examiner

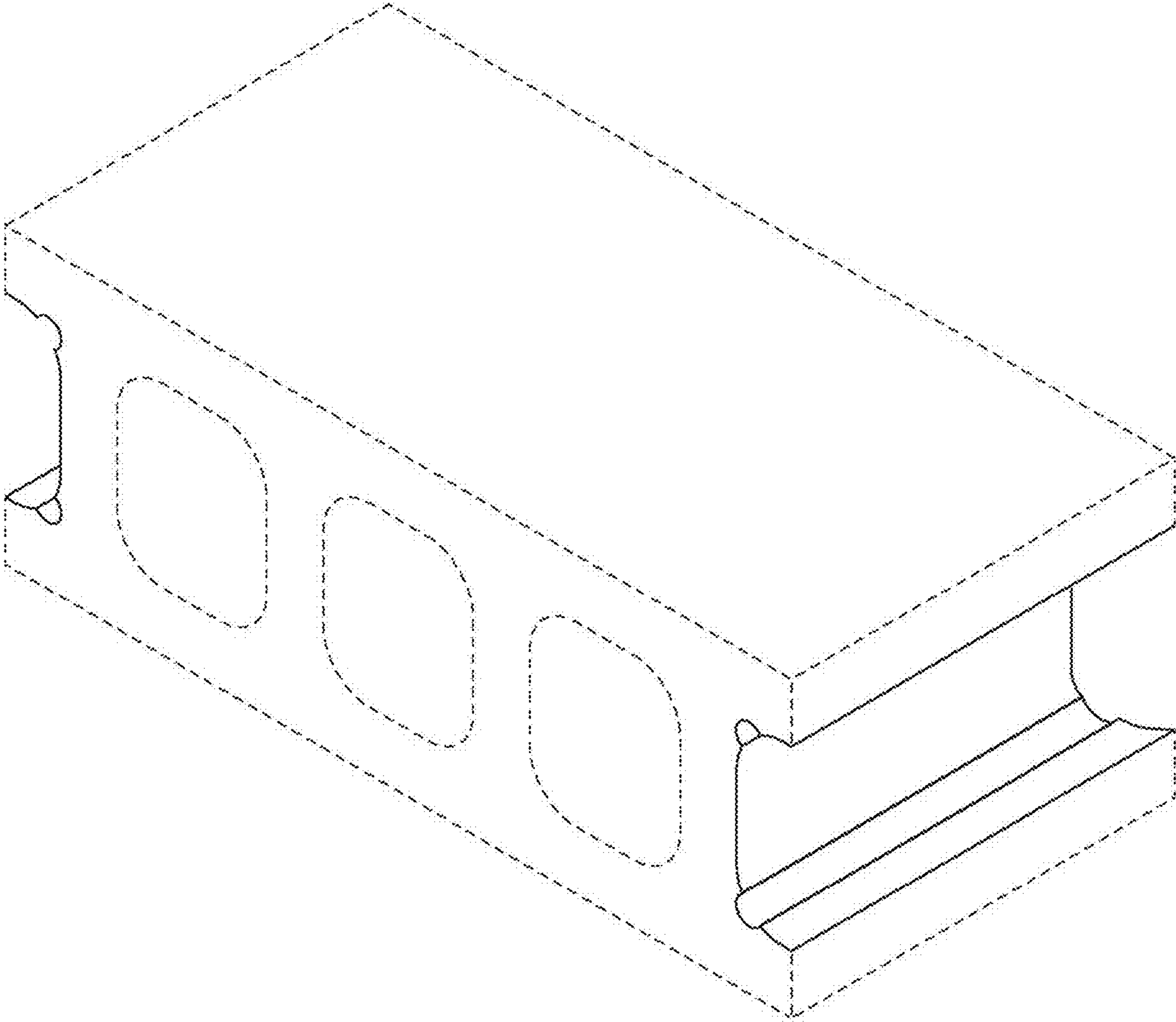


FIG. 1

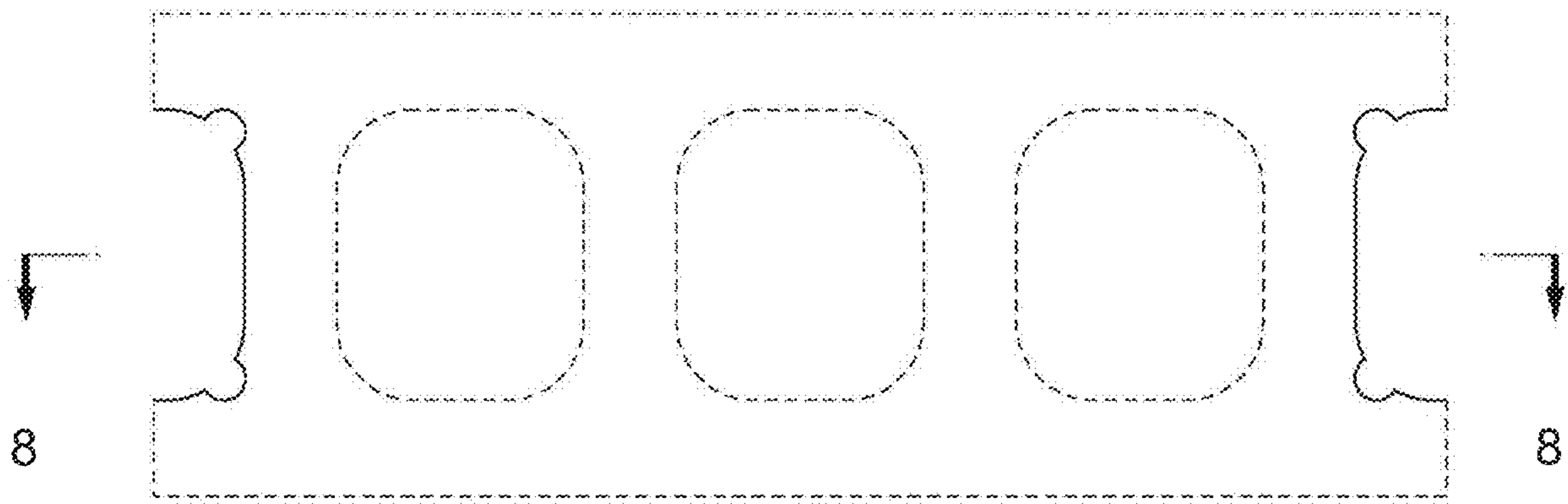


FIG. 2

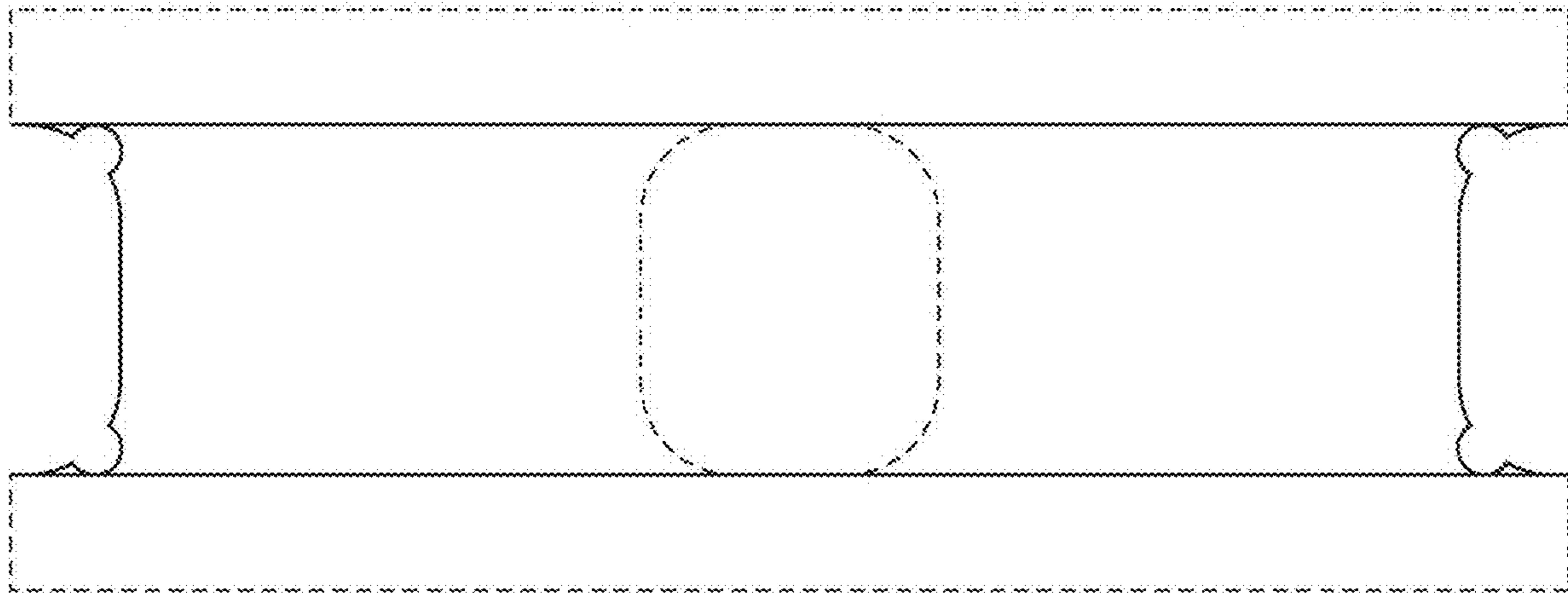


FIG. 3



FIG. 4



FIG. 5

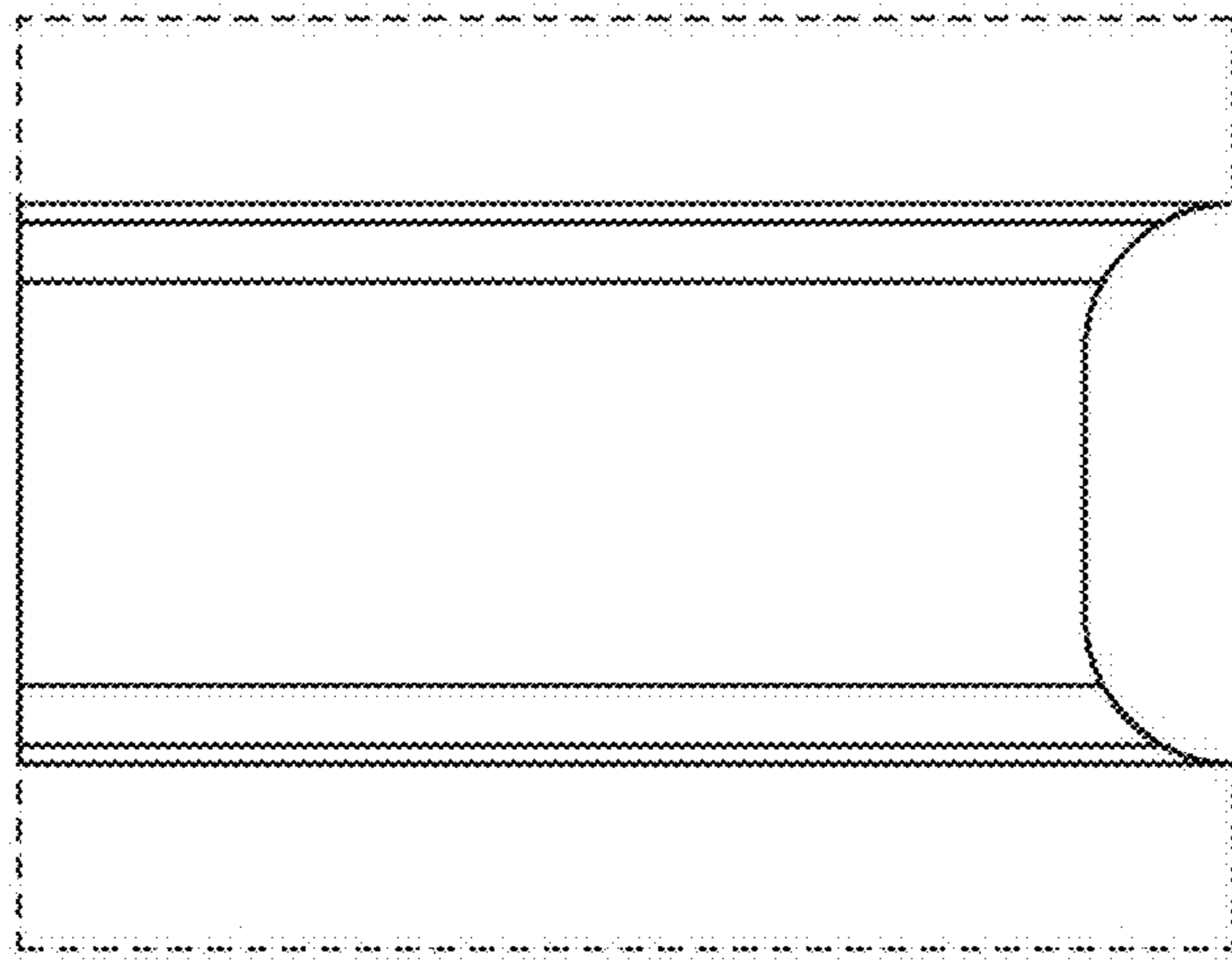


FIG. 6

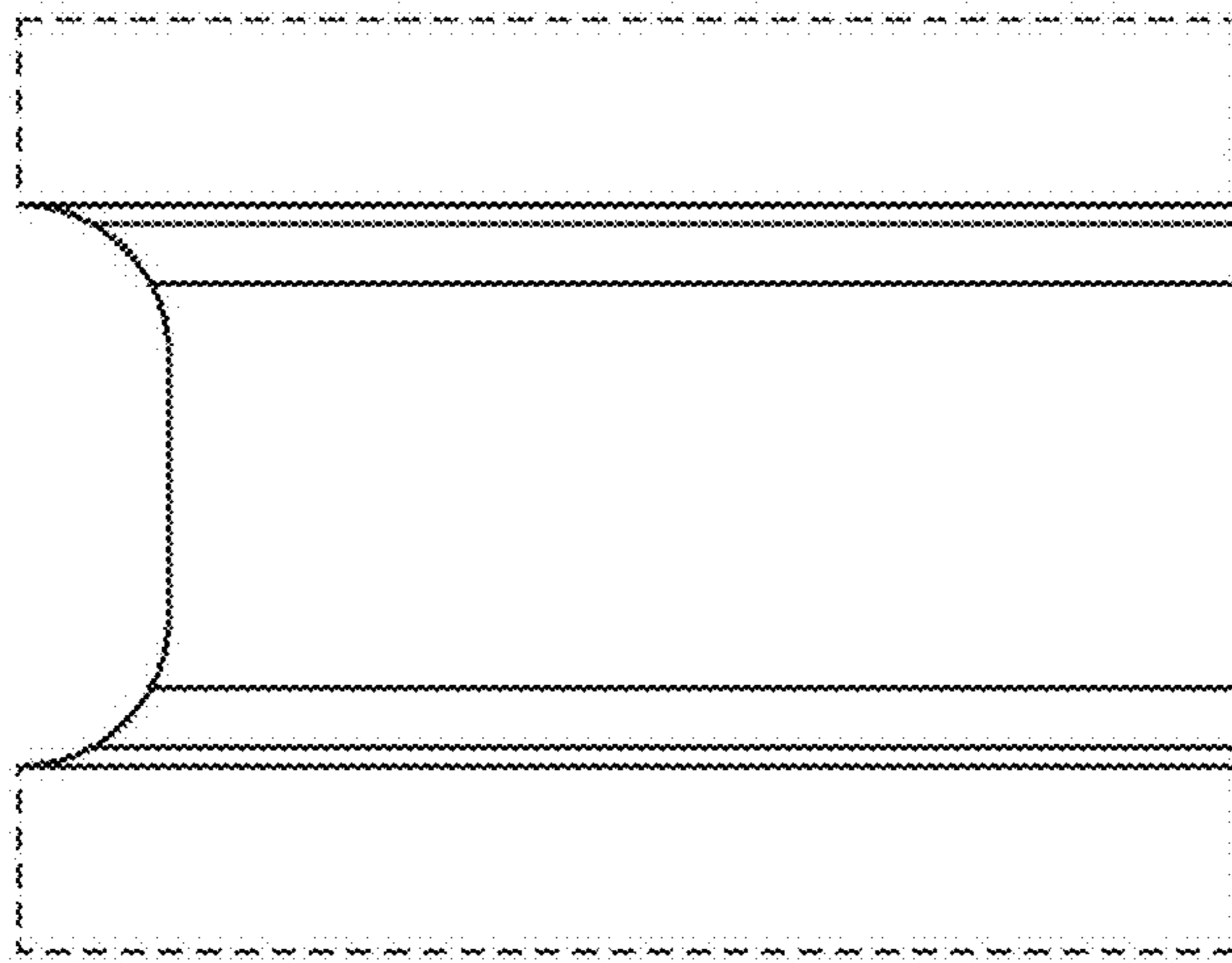


FIG. 7

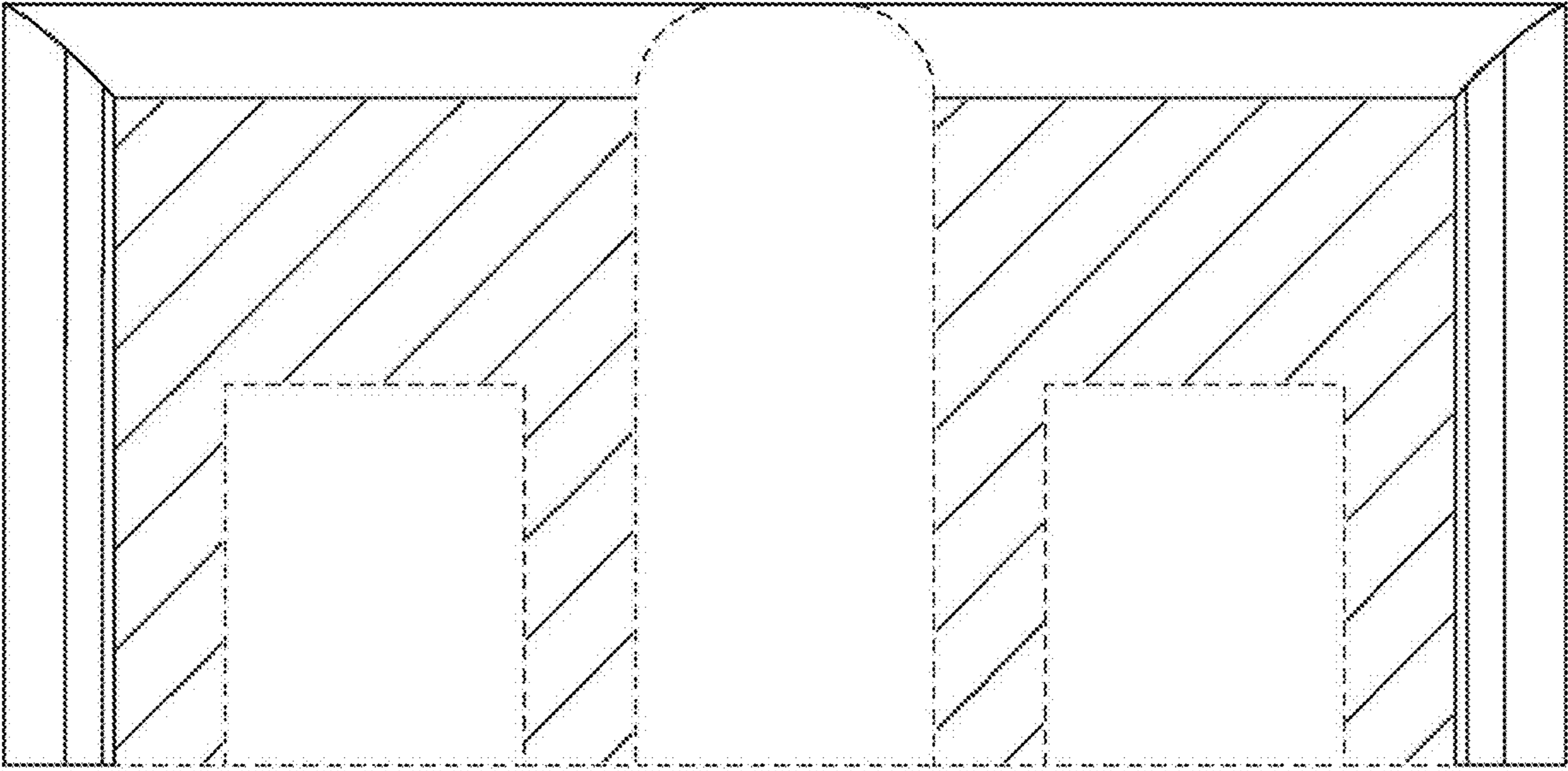


FIG. 8