



US00D970046S

(12) **United States Design Patent**
Mittanck et al.

(10) **Patent No.:** **US D970,046 S**
(45) **Date of Patent:** **** Nov. 15, 2022**

(54) **LADDER**
(71) Applicant: **LITTLE GIANT LADDER SYSTEMS, LLC**, Springville, UT (US)
(72) Inventors: **Travis Mittanck**, Springville, UT (US); **Brian B. Russell**, Saratoga Springs, UT (US)
(73) Assignee: **LITTLE GIANT LADDER SYSTEMS, LLC**, Springville, UT (US)

D564,675 S 3/2008 Farber et al.
D576,290 S * 9/2008 Meyers D25/64
7,886,872 B2 * 2/2011 Astor E06C 7/14
182/129
D840,055 S 2/2019 Skubic et al.
10,597,941 B2 * 3/2020 Moss E06C 1/16
10,648,234 B2 * 5/2020 Skubic E06C 1/393
D920,541 S * 5/2021 Mittanck D25/64
D921,224 S * 6/2021 Mittanck D25/64
D935,054 S * 11/2021 Maxfield D25/64
D943,772 S * 2/2022 Maxfield D25/64
2013/0048427 A1 2/2013 Sordo
2015/0159434 A1 6/2015 Leng

(**) Term: **15 Years**

FOREIGN PATENT DOCUMENTS

(21) Appl. No.: **29/785,112**

KR 200146389 Y1 6/1999

(22) Filed: **May 24, 2021**

* cited by examiner

Related U.S. Application Data

(62) Division of application No. 29/657,374, filed on Jul. 20, 2018, now Pat. No. Des. 921,224.

Primary Examiner — Gino Colan

(74) *Attorney, Agent, or Firm* — Dorsey & Whitney LLP

(51) **LOC (13) Cl.** **25-04**

(57) **CLAIM**

The ornamental design for a ladder, as shown and described.

(52) **U.S. Cl.**

USPC **D25/64**

DESCRIPTION

(58) **Field of Classification Search**

USPC D25/62–65, 68, 69; 248/210; 182/165, 182/22, 180.1, 124, 115, 173, 23
CPC E06C 1/393; E06C 1/18; E06C 1/39
See application file for complete search history.

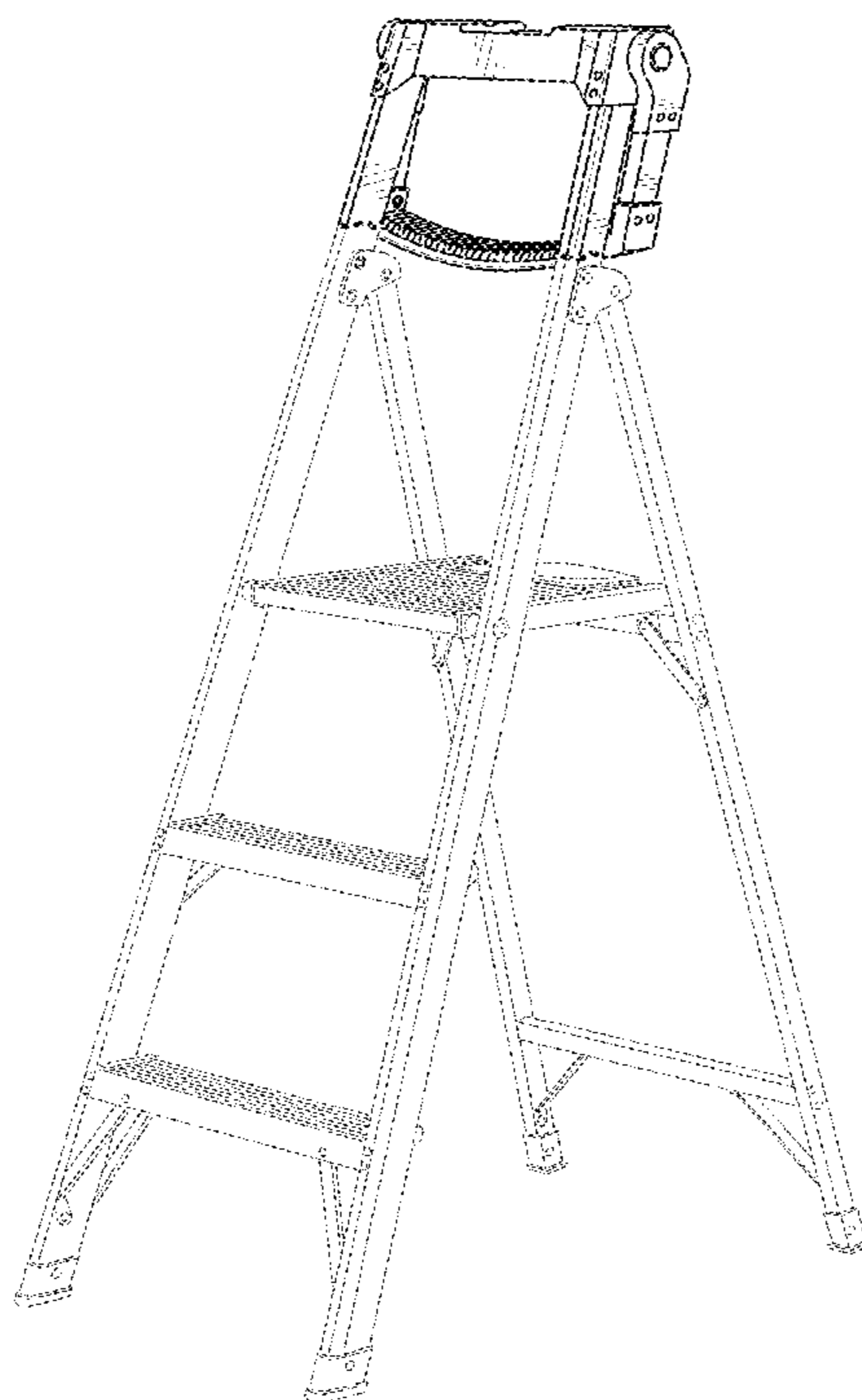
FIG. 1 is a front perspective view of a ladder.
FIG. 2 is a front view of the ladder of FIG. 1.
FIG. 3 is a right side view of the ladder of FIG. 1. The left side is a mirror image.
FIG. 4 is a rear view of the ladder of FIG. 1; and,
FIG. 5 is a top view of the ladder of FIG. 1.
The broken lines shown in the figures are for the purpose of illustrating boundary lines of the ladder and form no part of the claimed design.

(56) **References Cited**

U.S. PATENT DOCUMENTS

D388,882 S 1/1998 Kain
6,427,805 B1 8/2002 Gibson et al.
6,550,579 B2 4/2003 Gibson et al.

1 Claim, 5 Drawing Sheets



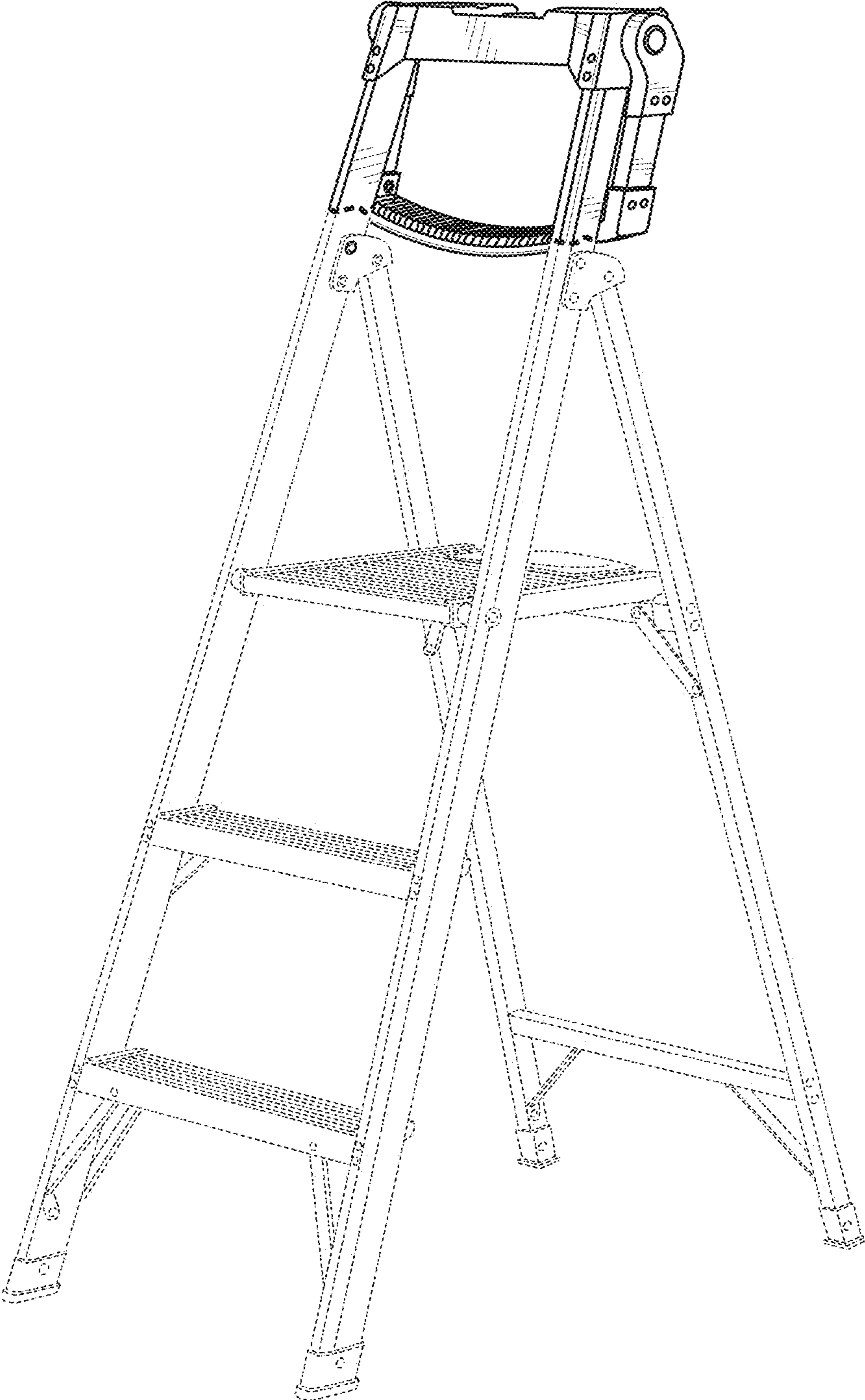


FIG. 1

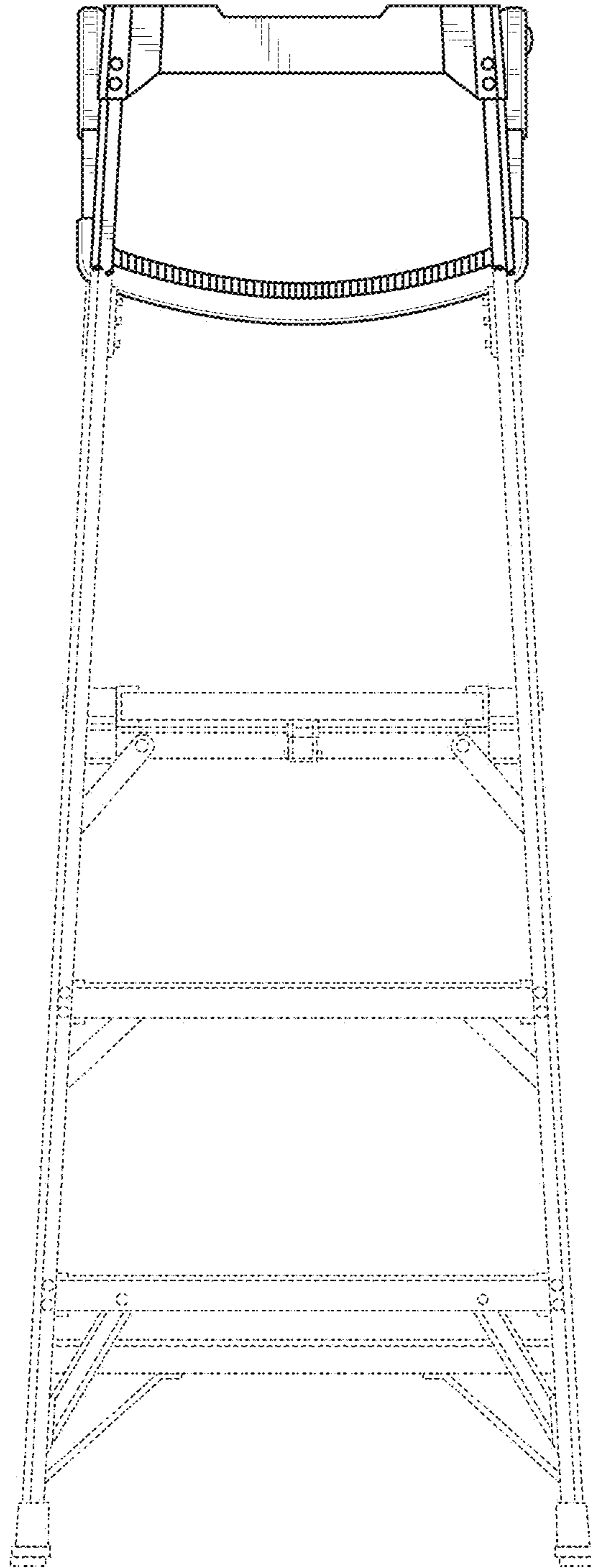


FIG. 2

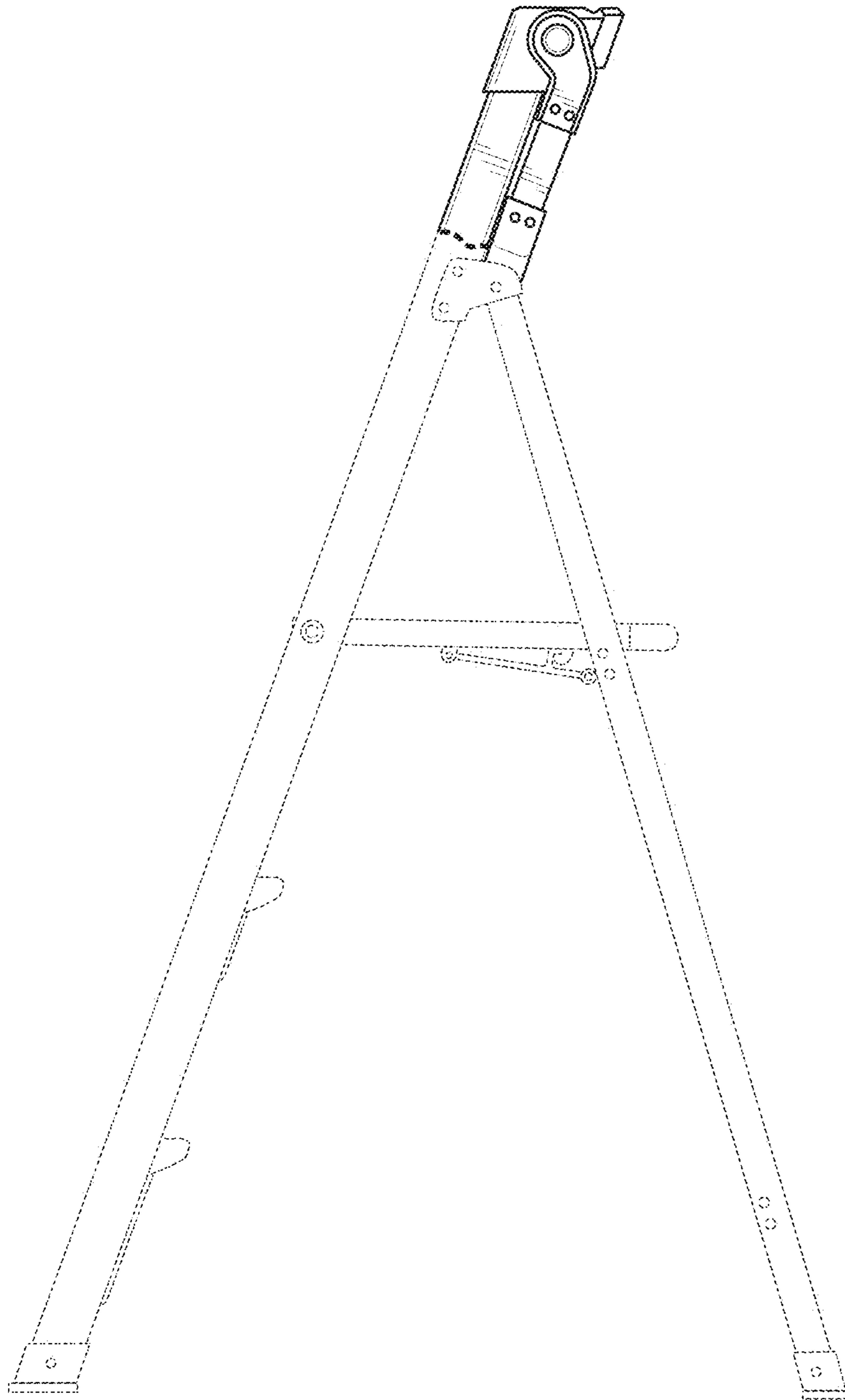


FIG. 3

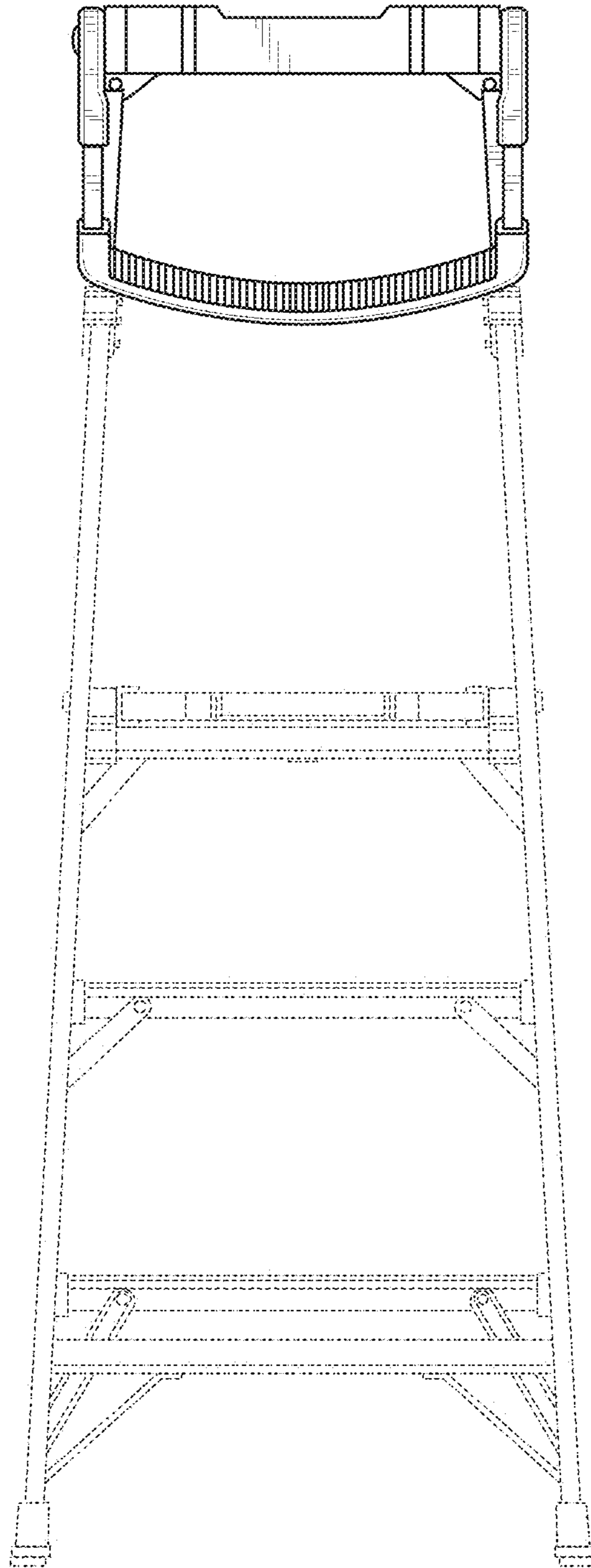


FIG. 4

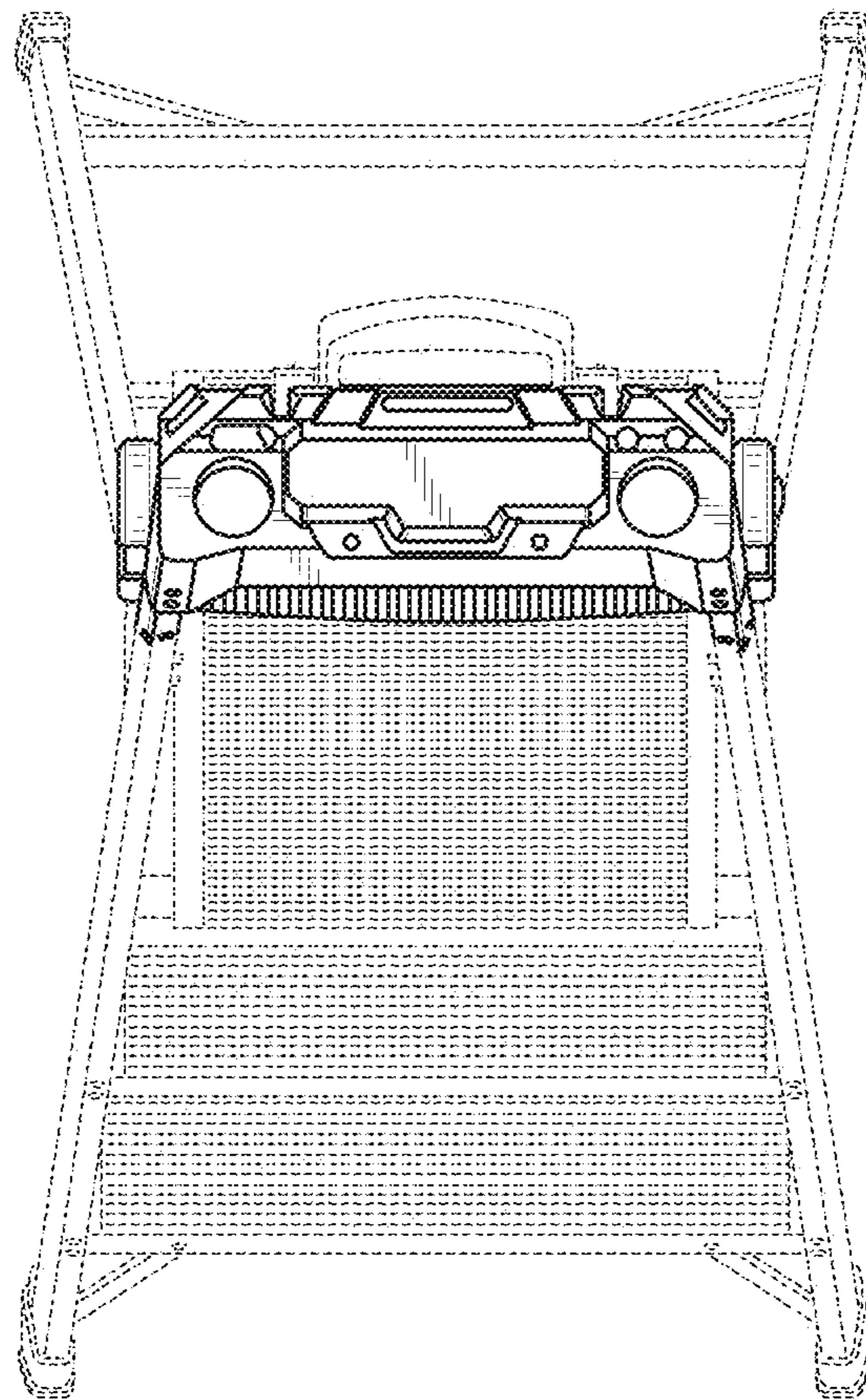


FIG. 5