



US00D970045S

(12) **United States Design Patent**  
**Mittanck et al.**

(10) **Patent No.:** **US D970,045 S**  
(45) **Date of Patent:** **\*\* Nov. 15, 2022**

(54) **LADDER**  
(71) Applicant: **LITTLE GIANT LADDER SYSTEMS, LLC**, Springville, UT (US)  
(72) Inventors: **Travis Mittanck**, Springville, UT (US); **Brian B. Russell**, Saratoga Springs, UT (US)  
(73) Assignee: **LITTLE GIANT LADDER SYSTEMS, LLC**, Springville, UT (US)

D564,675 S 3/2008 Farber et al.  
D576,290 S \* 9/2008 Meyers ..... D25/64  
7,886,872 B2 \* 2/2011 Astor ..... E06C 7/14  
182/129  
D840,055 S 2/2019 Skubic et al.  
10,597,941 B2 \* 3/2020 Moss ..... E06C 1/16  
10,648,234 B2 \* 5/2020 Skubic ..... E06C 1/393  
D920,541 S \* 5/2021 Mittanck ..... D25/64  
D921,224 S \* 6/2021 Mittanck ..... D25/64  
D935,054 S \* 11/2021 Maxfield ..... D25/64  
D943,772 S \* 2/2022 Maxfield ..... D25/64  
2013/0048427 A1 2/2013 Sordo  
2015/0159434 A1 6/2015 Leng

(\*\*) Term: **15 Years**

**FOREIGN PATENT DOCUMENTS**

(21) Appl. No.: **29/784,377**

KR 200146389 Y1 6/1999

(22) Filed: **May 19, 2021**

\* cited by examiner

**Related U.S. Application Data**

*Primary Examiner* — Gino Colan

(62) Division of application No. 29/657,373, filed on Jul. 20, 2018, now Pat. No. Des. 920,541.

(74) *Attorney, Agent, or Firm* — Dorsey & Whitney LLP

(51) **LOC (13) Cl.** ..... **25-04**

(57) **CLAIM**

(52) **U.S. Cl.**  
USPC ..... **D25/64**

The ornamental design for a ladder, as shown and described.

(58) **Field of Classification Search**  
USPC ..... D25/62–65, 68, 69; 248/210; 182/165, 182/22, 180.1, 124, 115, 173, 23  
CPC ..... E06C 1/393; E06C 1/18; E06C 1/39  
See application file for complete search history.

**DESCRIPTION**

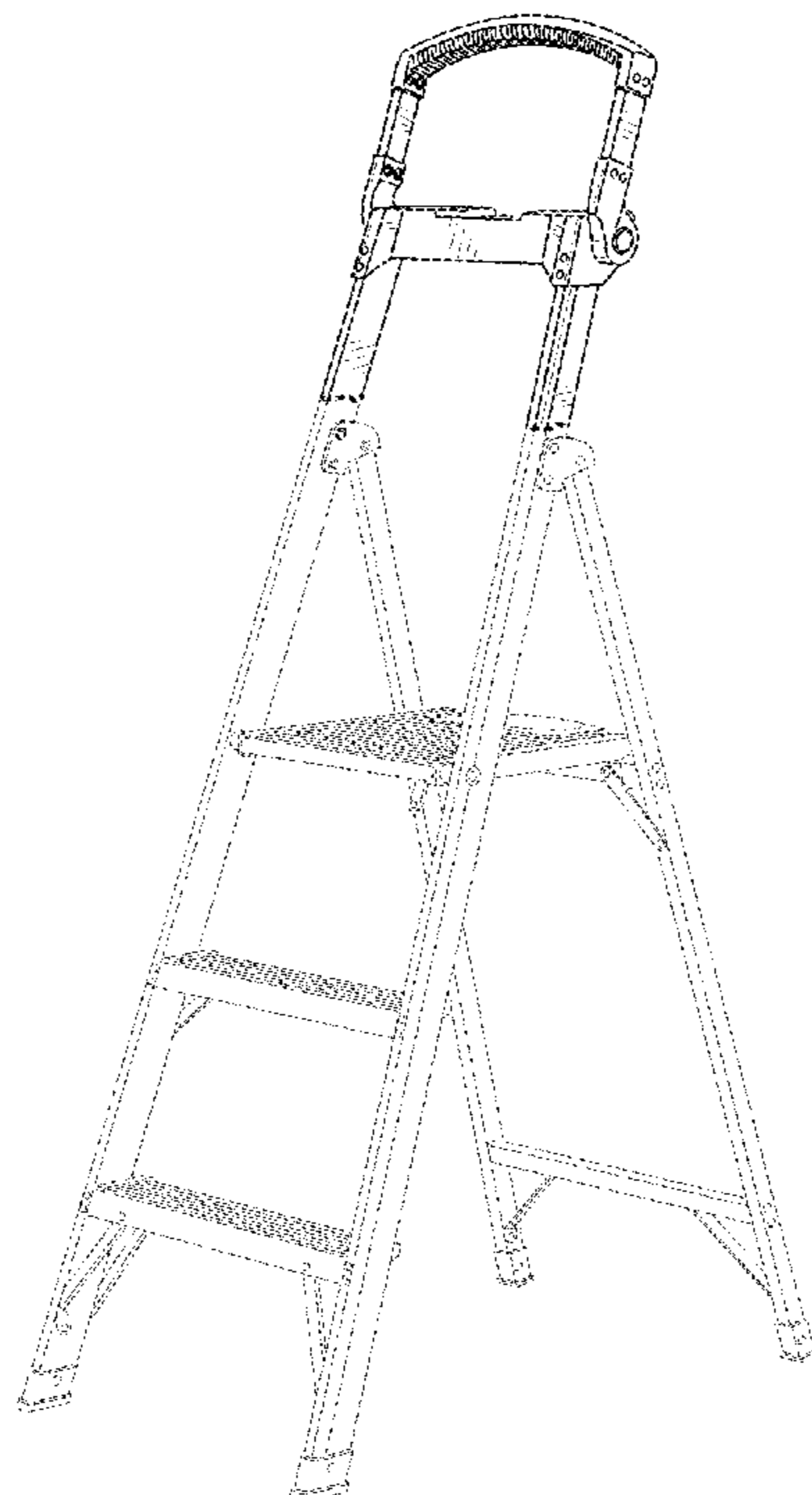
(56) **References Cited**

**U.S. PATENT DOCUMENTS**

D388,882 S 1/1998 Kain  
6,427,805 B1 8/2002 Gibson et al.  
6,550,579 B2 4/2003 Gibson et al.

FIG. 1 is a front perspective view of a ladder.  
FIG. 2 is a front view of the ladder of FIG. 1.  
FIG. 3 is a right side view of the ladder of FIG. 1. The left side is a mirror image.  
FIG. 4 is a rear view of the ladder of FIG. 1; and,  
FIG. 5 is a top view of the ladder of FIG. 1.  
The broken lines shown in the figures are for the purpose of illustrating boundary lines of the ladder and form no part of the claimed design.

**1 Claim, 5 Drawing Sheets**



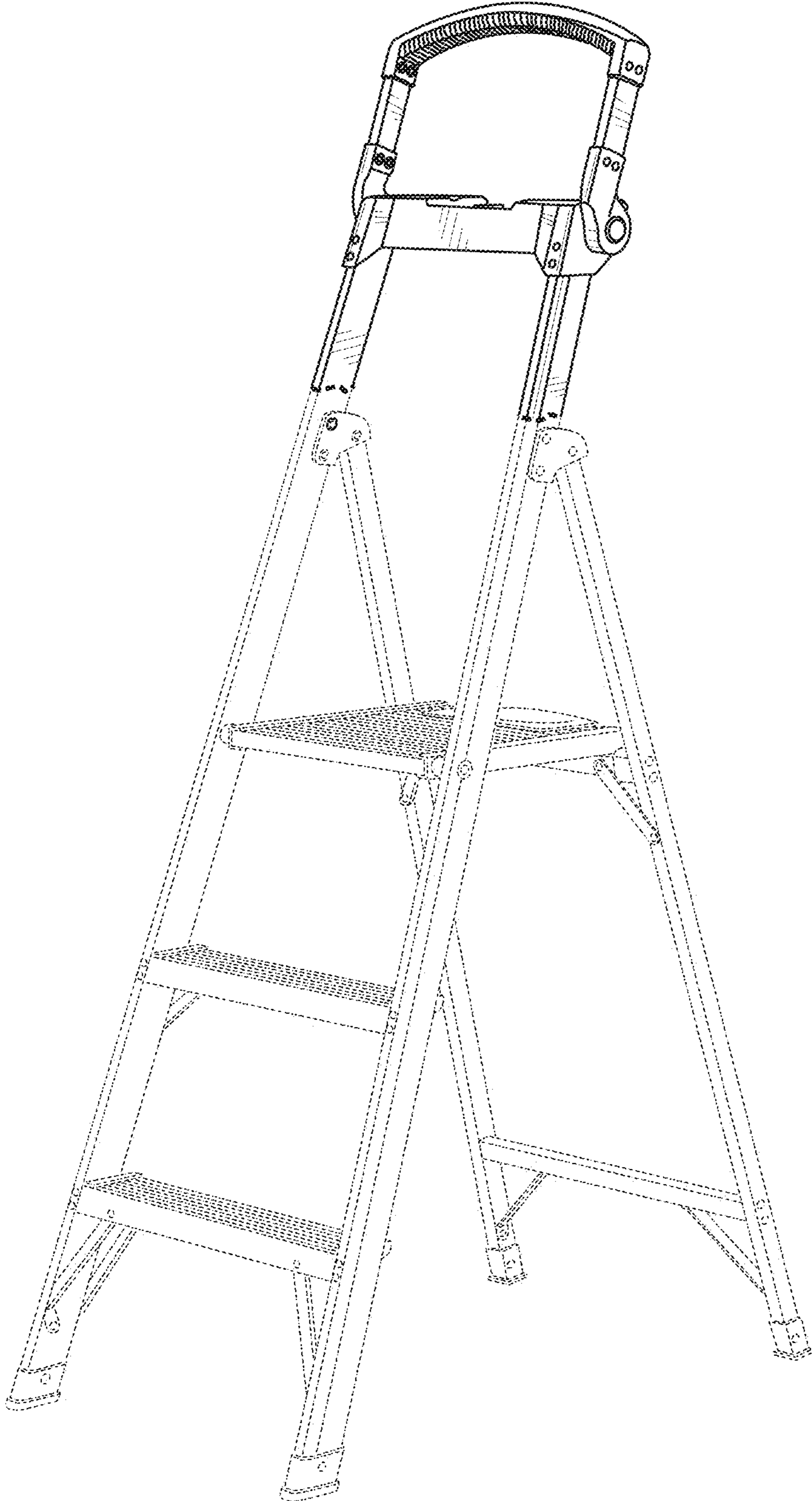
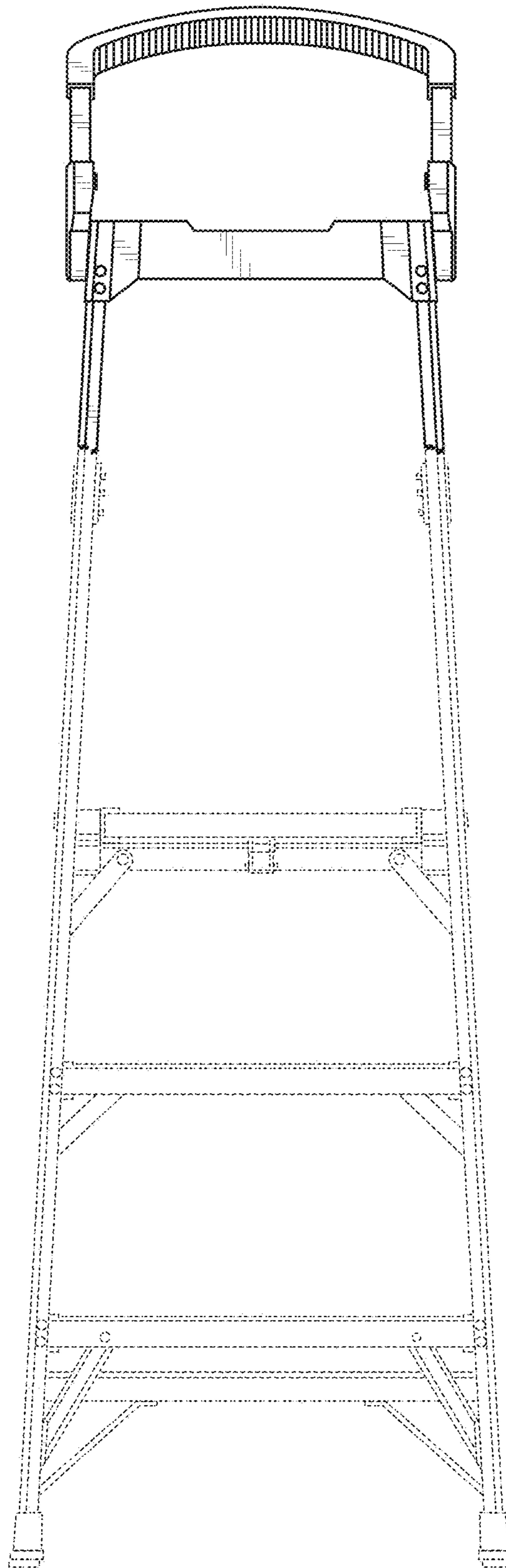


FIG. 1



**FIG. 2**

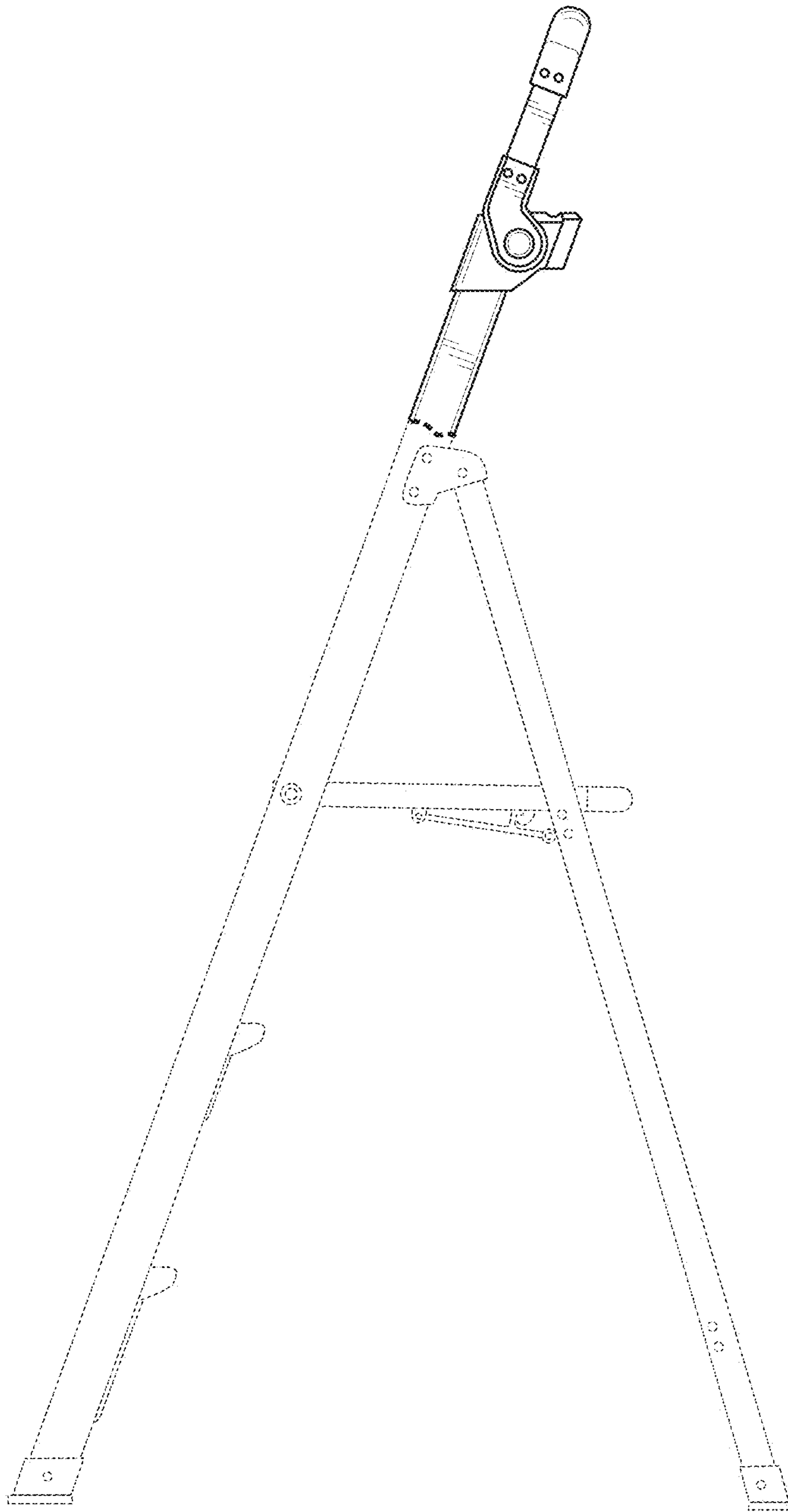
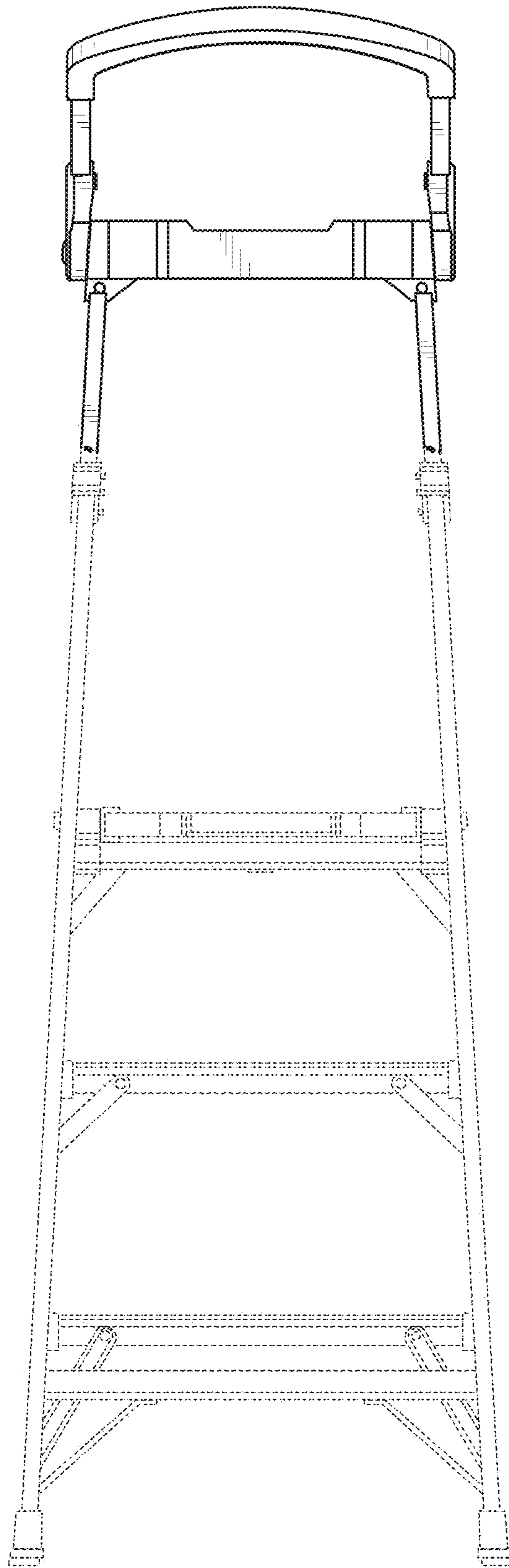
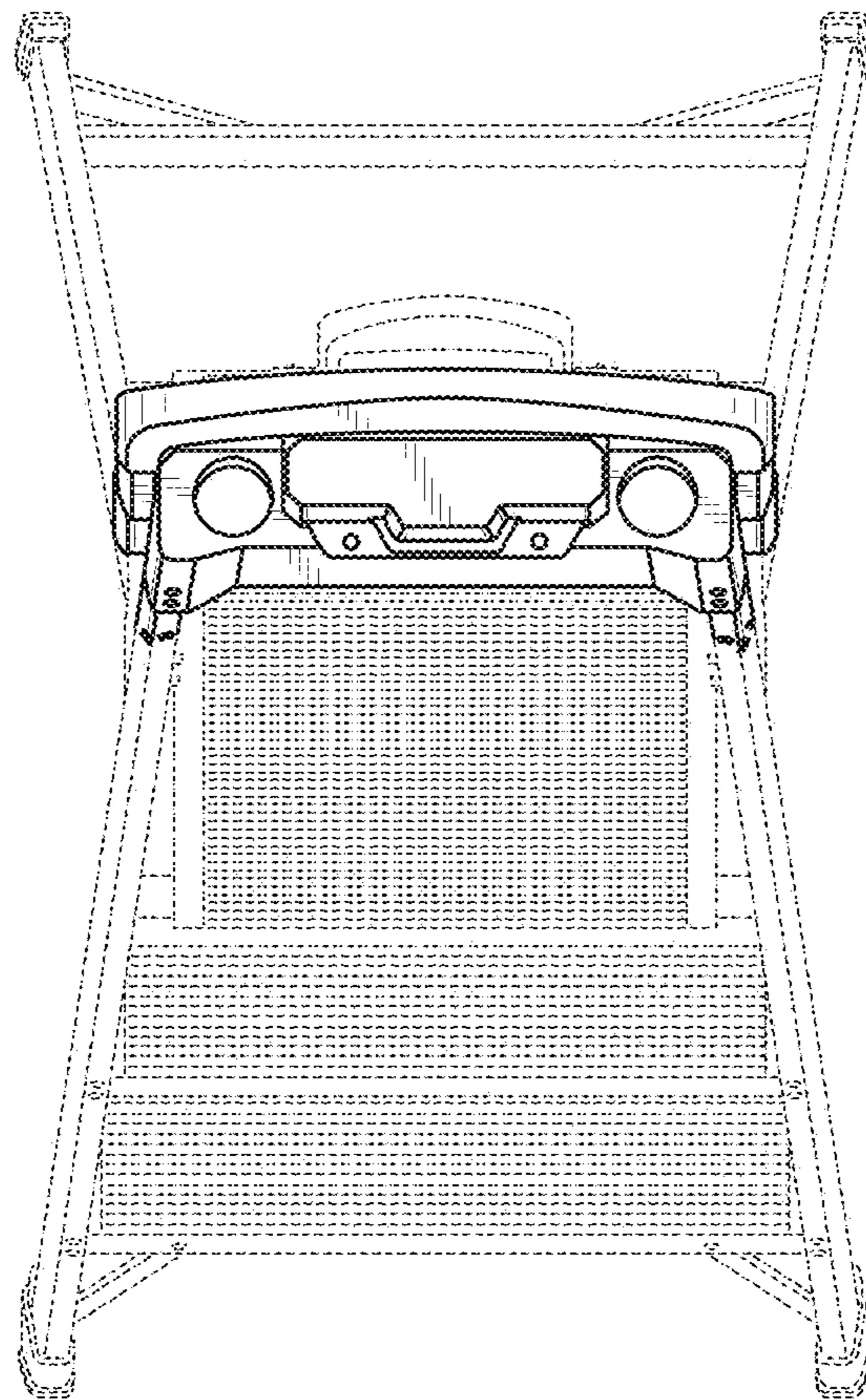


FIG. 3



**FIG. 4**





**FIG. 5**