



US00D970043S

(12) **United States Design Patent**
Uri

(10) **Patent No.: US D970,043 S**

(45) **Date of Patent: ** Nov. 15, 2022**

(54) **FRAMEWORK FOR BUILDING**

(71) Applicant: **Cignomet OU**, Luige (EE)

(72) Inventor: **Aivo Uri**, Juri (EE)

(**) Term: **15 Years**

(21) Appl. No.: **35/512,172**

(22) Filed: **Jun. 30, 2021**

(80) **Hague Agreement Data**

Int. Filing Date: **Jun. 30, 2021**

Int. Reg. No.: **DM/215120**

Int. Reg. Date: **Jun. 30, 2021**

Int. Reg. Pub. Date: **Jul. 16, 2021**

(51) **LOC (13) Cl.** **25-02**

(52) **U.S. Cl.**
USPC **D25/61**

(58) **Field of Classification Search**
USPC D25/43, 58, 61, 62, 64, 68, 69
CPC E04C 3/08; E04C 3/38; E04C 3/11; E04C
3/125; E04C 3/127; E04C 2003/0491
See application file for complete search history.

(56) **References Cited**

U.S. PATENT DOCUMENTS

702,332	A *	6/1902	Samen	105/418
1,705,708	A *	3/1929	Beisel	E04C 3/08 52/693
1,774,423	A *	8/1930	Dalton	E04C 3/08 52/693
1,939,598	A *	12/1933	Ragsdale	B64C 1/08 52/651.08
2,936,051	A *	5/1960	Martin	E04B 1/24 52/651.07
3,562,994	A *	2/1971	Von Linsowe	E04C 3/08 52/690
5,205,101	A *	4/1993	Swan	E04C 3/08 52/126.1

5,390,463	A *	2/1995	Sollner	E04C 3/08 403/14
6,065,267	A *	5/2000	Fisher	E04C 3/08 52/693
6,073,413	A *	6/2000	Tongiatama	E04B 1/26 52/693
7,654,059	B2 *	2/2010	Hejnicky	E04H 3/24 52/750
8,793,948	B2 *	8/2014	Beattie	E04F 15/18 52/693
8,978,338	B2 *	3/2015	Jobin	E04C 3/08 52/650.2
9,382,714	B2 *	7/2016	Richardson	E04C 3/08
9,909,299	B2 *	3/2018	Christie	E04C 3/08
9,909,314	B2 *	3/2018	Jobin	E04C 3/08
D846,153	S *	4/2019	de Deugd	D25/61
D936,242	S *	11/2021	Iverson	D25/126
11,333,297	B2 *	5/2022	Bruyninckx	E04B 1/19

(Continued)

OTHER PUBLICATIONS

Protective Bolt Plate Truss (available online) Retrieved from the internet Sep. 14, 2022 from URL: <https://www.candjtruss.com/protective-bolt-plate-truss/>.*

(Continued)

Primary Examiner — Richard Kearney

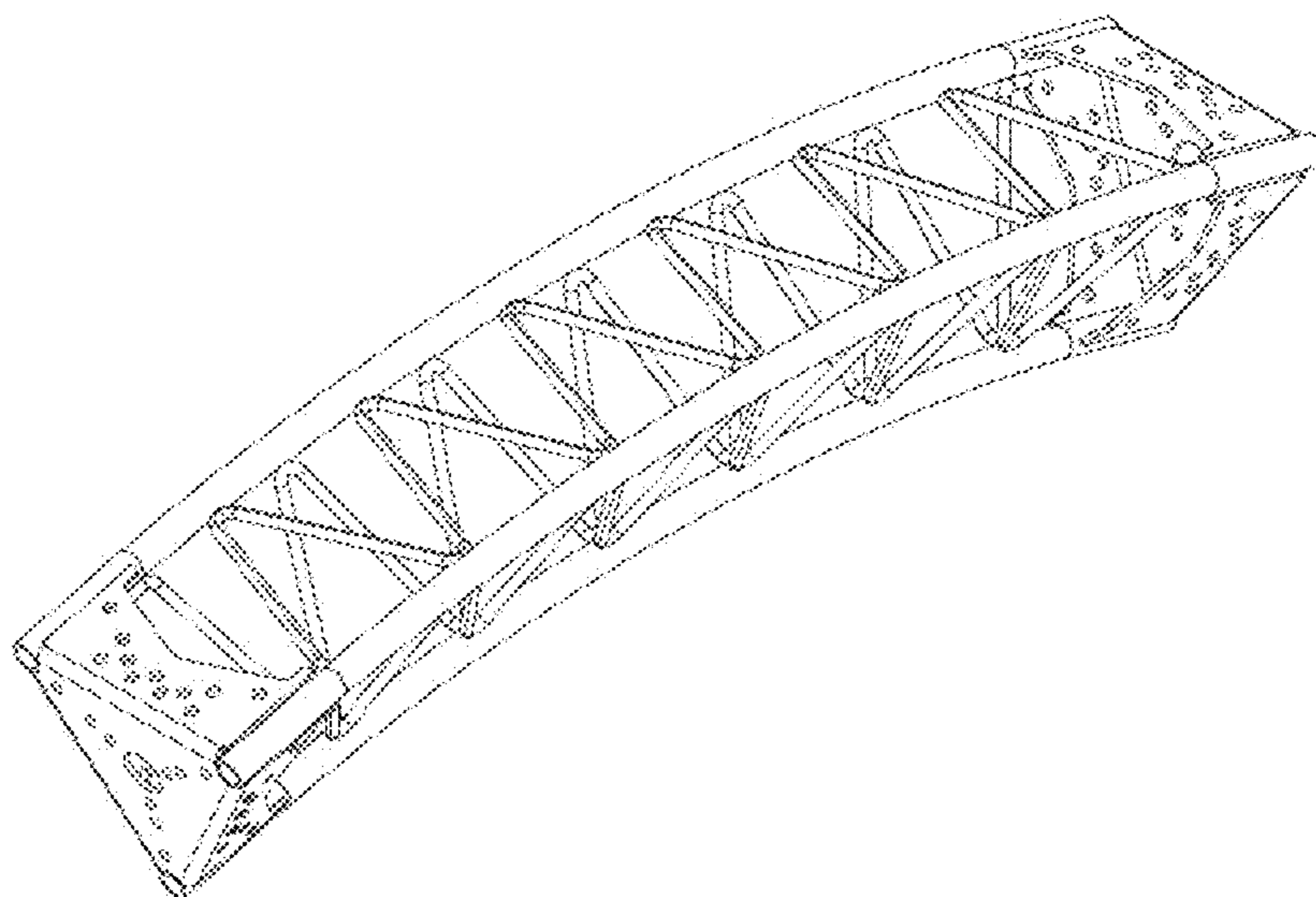
(57) **CLAIM**

The ornamental design for a framework for building, as shown and described.

DESCRIPTION

- 1. Framework for building
- 1.1 : Front
- 1.2 : Top
- 1.3 : Back
- 1.4 : Bottom
- 1.5 : Left
- 1.6 : Right
- 1.7 : Perspective

1 Claim, 7 Drawing Sheets



(56)

References Cited

U.S. PATENT DOCUMENTS

2004/0144055 A1* 7/2004 Lewison E04C 3/08
52/633
2011/0308189 A1* 12/2011 Daas E04H 12/10
52/646
2012/0216475 A1* 8/2012 Safari Kermanshahi
E04C 3/086
52/309.4
2017/0193135 A1* 7/2017 Goldberg G06F 30/13
2019/0078330 A1* 3/2019 Wells E04C 3/04
2019/0106899 A1* 4/2019 McDermott F16F 15/067
2019/0353422 A1* 11/2019 Gao F25J 3/0295
2022/0205429 A1* 6/2022 Nunes F03D 80/80

OTHER PUBLICATIONS

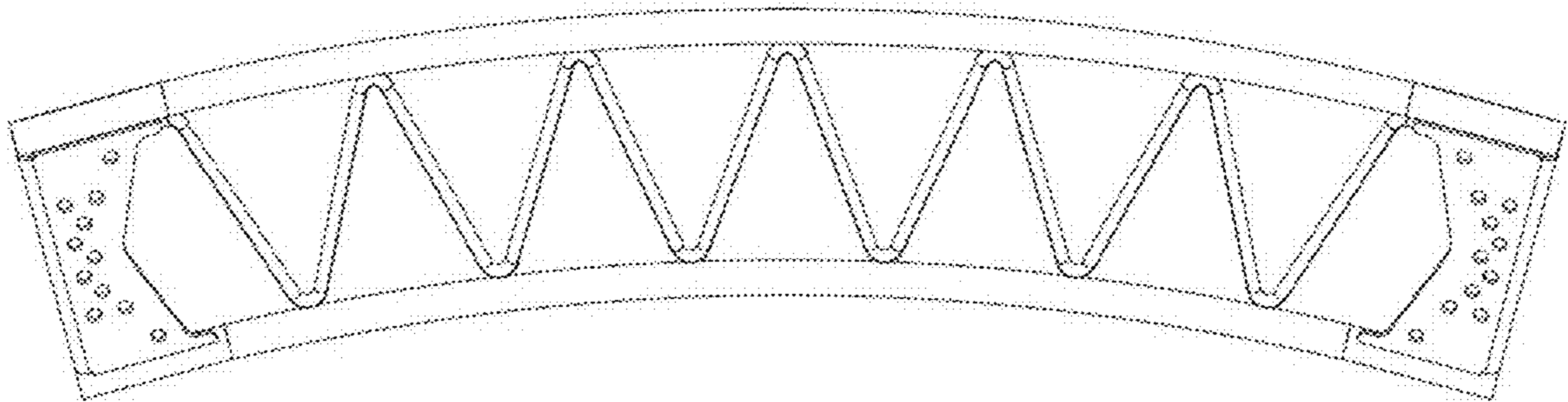
Trussing_A_Type (available online) Retrieved from the internet
Sep. 14, 2022 from URL: <https://www.christielites.com/a-type-12-curve-truss-90deg-12-3-4inch-diam-4pc/230w4w34w119w426>.*

XSF_Truss (available online Jul. 25, 2020) Retrieved from the
internet Sep. 14, 2022 from URL: <https://web.archive.org/web/20200725082123/https://www.xsfruss.com/triangle-truss/>.*

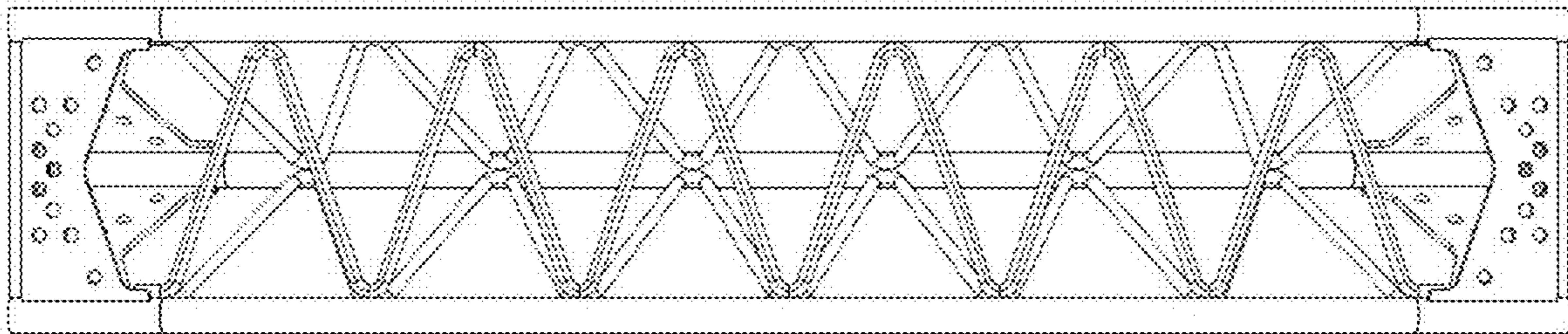
XSF_Truss (available online) Retrieved from the internet Sep. 14,
2022 from URL: <https://www.behance.net/gallery/32828399/Triangular-Truss-Standard-008>.*

* cited by examiner

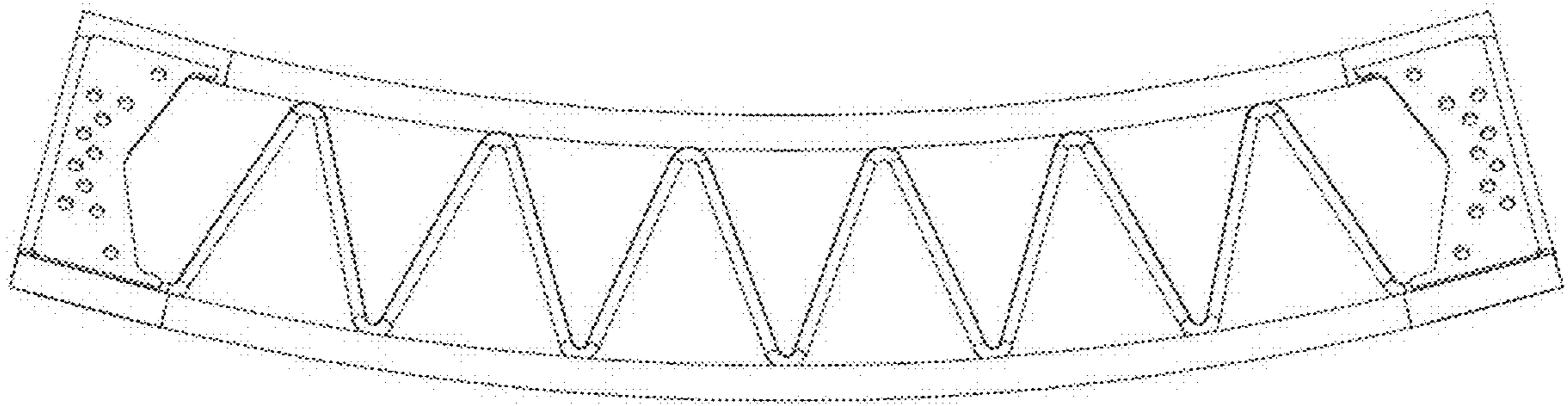
1.1



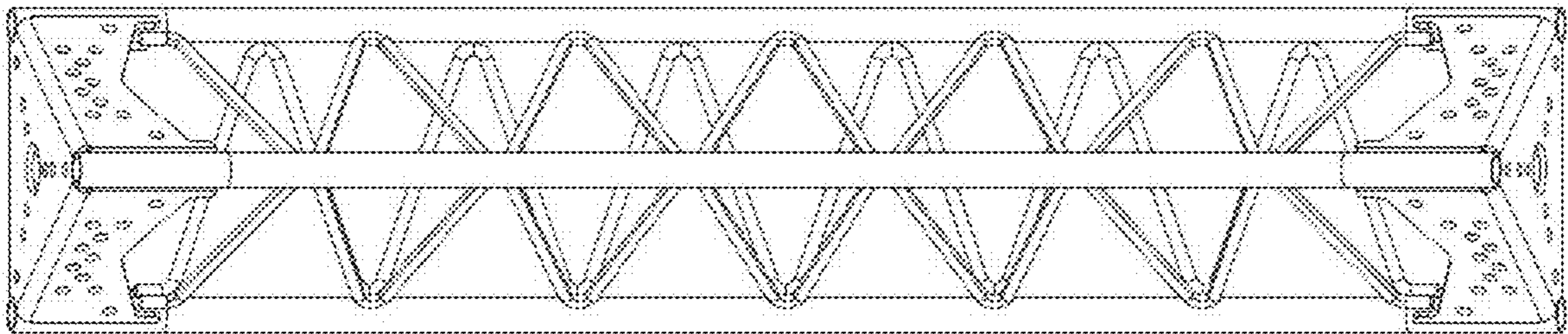
1.2



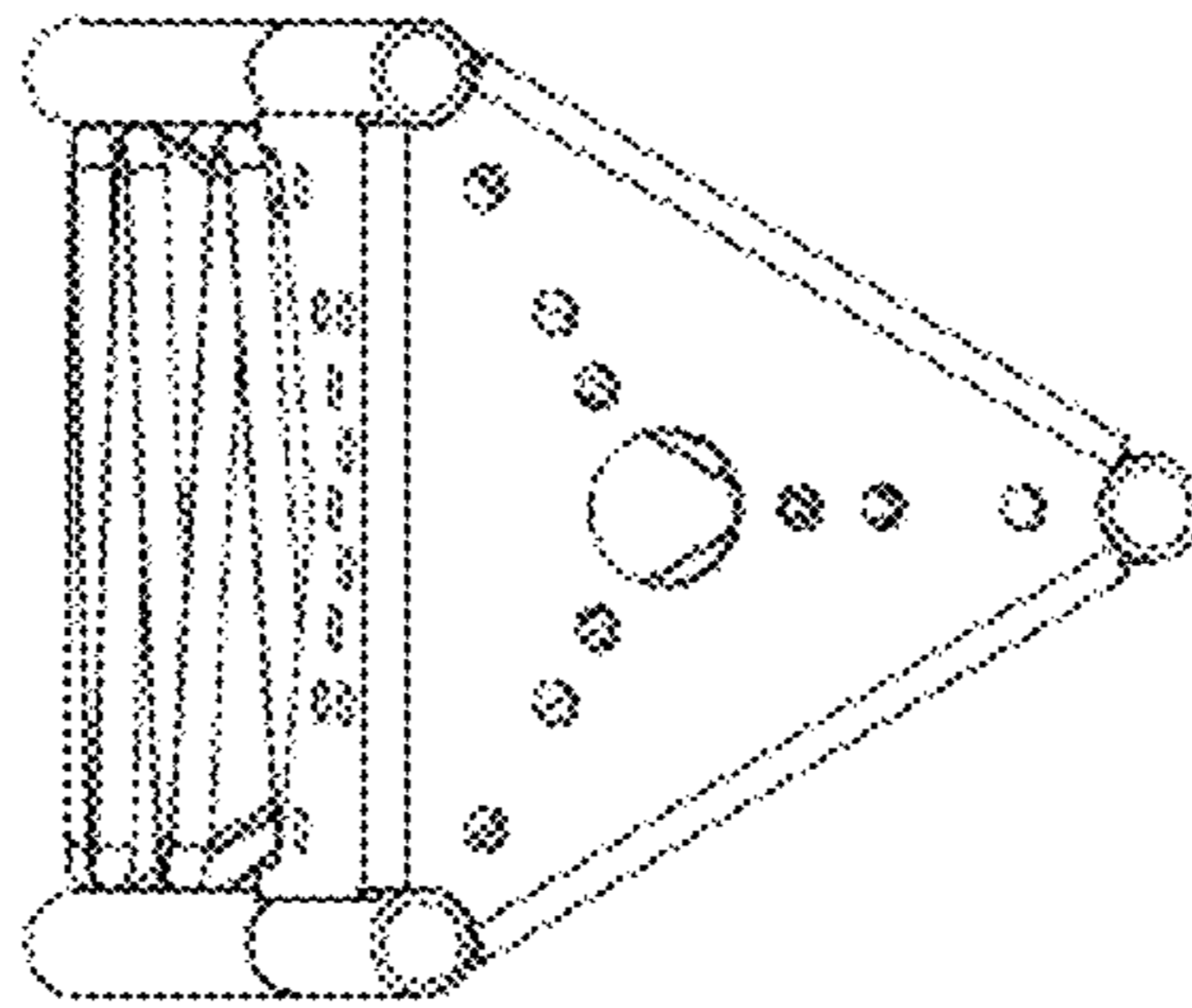
1.3



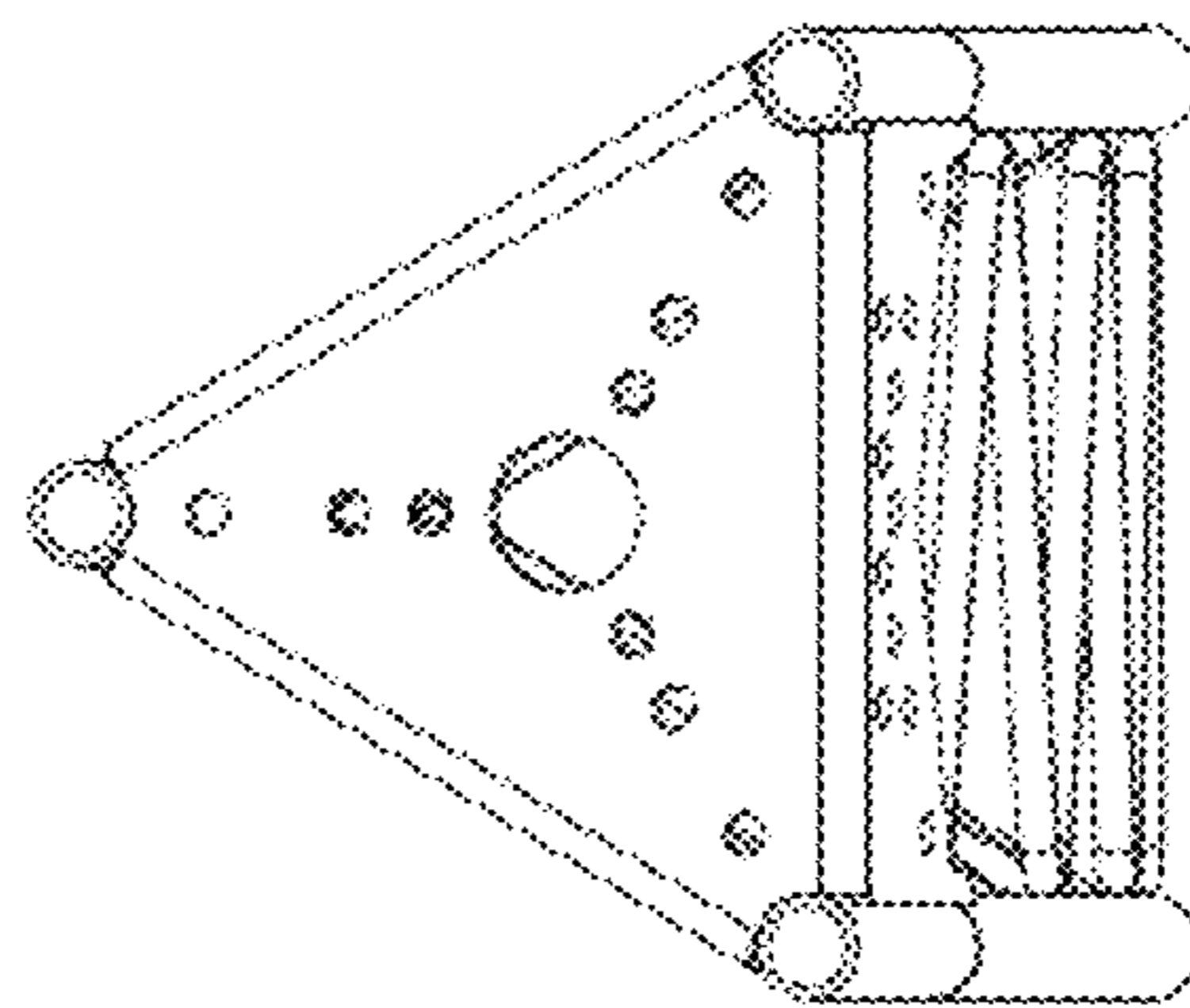
1.4



1.5



1.6



1.7

