



US00D970038S

(12) **United States Design Patent** (10) **Patent No.:** **US D970,038 S**
Trump (45) **Date of Patent:** **** Nov. 15, 2022**

(54) **HOLDER FOR COVERSLIPS OR SPECIMEN SLIDES**

(71) Applicant: **Leica Biosystems Nussloch GmbH**,
Nussloch (DE)

(72) Inventor: **Tobias Trump**, Frankenthal (DE)

(73) Assignee: **Leica Biosystems Nussloch GmbH**,
Nussloch (DE)

(**) Term: **15 Years**

(21) Appl. No.: **29/658,002**

(22) Filed: **Jul. 26, 2018**

(30) **Foreign Application Priority Data**

Mar. 15, 2018 (EM) 004757896
Jul. 16, 2018 (EM) 005504214

(51) **LOC (13) Cl.** **24-02**

(52) **U.S. Cl.**
USPC **D24/227**

(58) **Field of Classification Search**
USPC D24/216-232, 107, 108, 121, 162, 169,
D24/186, 233, 234; D10/81
CPC G01N 2001/315; B01L 3/508; B01L 9/52;
B01L 2300/0822
See application file for complete search history.

(56) **References Cited**

U.S. PATENT DOCUMENTS

8,288,086 B2 * 10/2012 Metzner G01N 1/31
435/3
D676,571 S 2/2013 Wilson
D701,972 S 4/2014 Ohmae
D720,470 S 12/2014 Lober
9,389,154 B2 7/2016 Knorr
D799,058 S 10/2017 Kennedy
D802,787 S 11/2017 Shanafelter
D804,682 S * 12/2017 Taylor D24/225

D806,574 S 1/2018 Ozenne
D815,752 S 4/2018 Jackson
D817,511 S 5/2018 Taylor
D818,604 S 5/2018 Smith
D862,727 S 10/2019 Hart
D865,215 S * 10/2019 Dangelo D24/224
D871,611 S 12/2019 Lamerton
2014/0234182 A1 8/2014 Motadel
2015/0260621 A1 * 9/2015 Scott B01L 9/52
435/7.1

(Continued)

OTHER PUBLICATIONS

U.S. Appl. No. 29/658,006, Non-final Office Action dated Mar. 19, 2020, 14 pp.

(Continued)

Primary Examiner — Mary Shannon Malley
(74) *Attorney, Agent, or Firm* — Lathrop GPM LLP

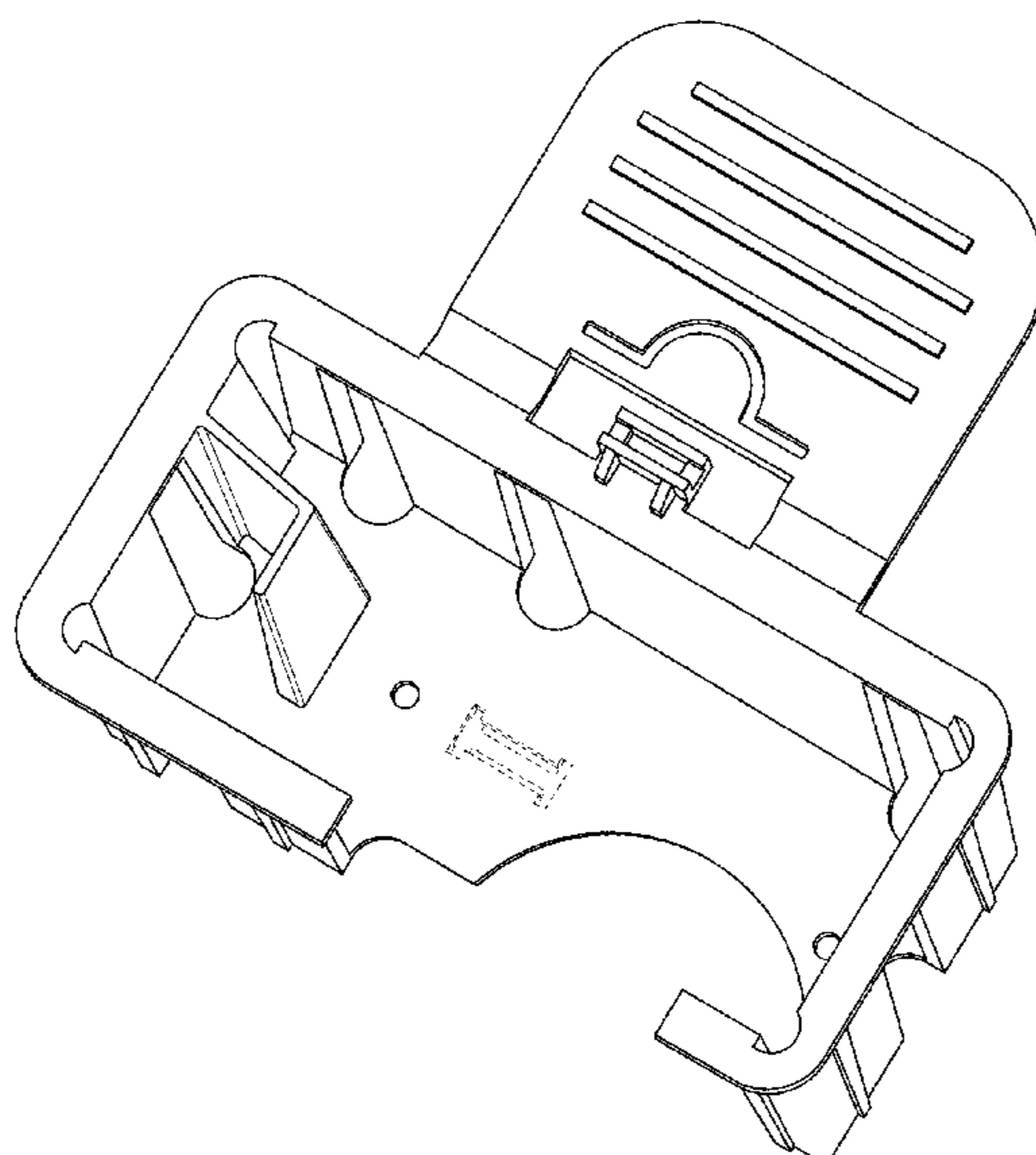
(57) **CLAIM**

The ornamental design for a holder for coverslips or specimen slides, as shown and described.

DESCRIPTION

FIG. 1 is a top perspective view of a holder for coverslips or specimen slides, according to the new design;
FIG. 2 is a front view of the holder for coverslips or specimen slides of FIG. 1;
FIG. 3 is a rear view of the holder for coverslips or specimen slides of FIG. 1;
FIG. 4 is a left view of the holder for coverslips or specimen slides of FIG. 1;
FIG. 5 is a right view of the holder for coverslips or specimen slides of FIG. 1;
FIG. 6 is a top view of the holder for coverslips or specimen slides of FIG. 1; and,
FIG. 7 is a bottom view of the holder for coverslips or specimen slides of FIG. 1.

1 Claim, 7 Drawing Sheets



(56)

References Cited

U.S. PATENT DOCUMENTS

2019/0316993 A1* 10/2019 Lupo G01N 1/31

OTHER PUBLICATIONS

U.S. Appl. No. 29/658,007, Non-final Office Action dated Mar. 19, 2020, 18 pp.

* cited by examiner

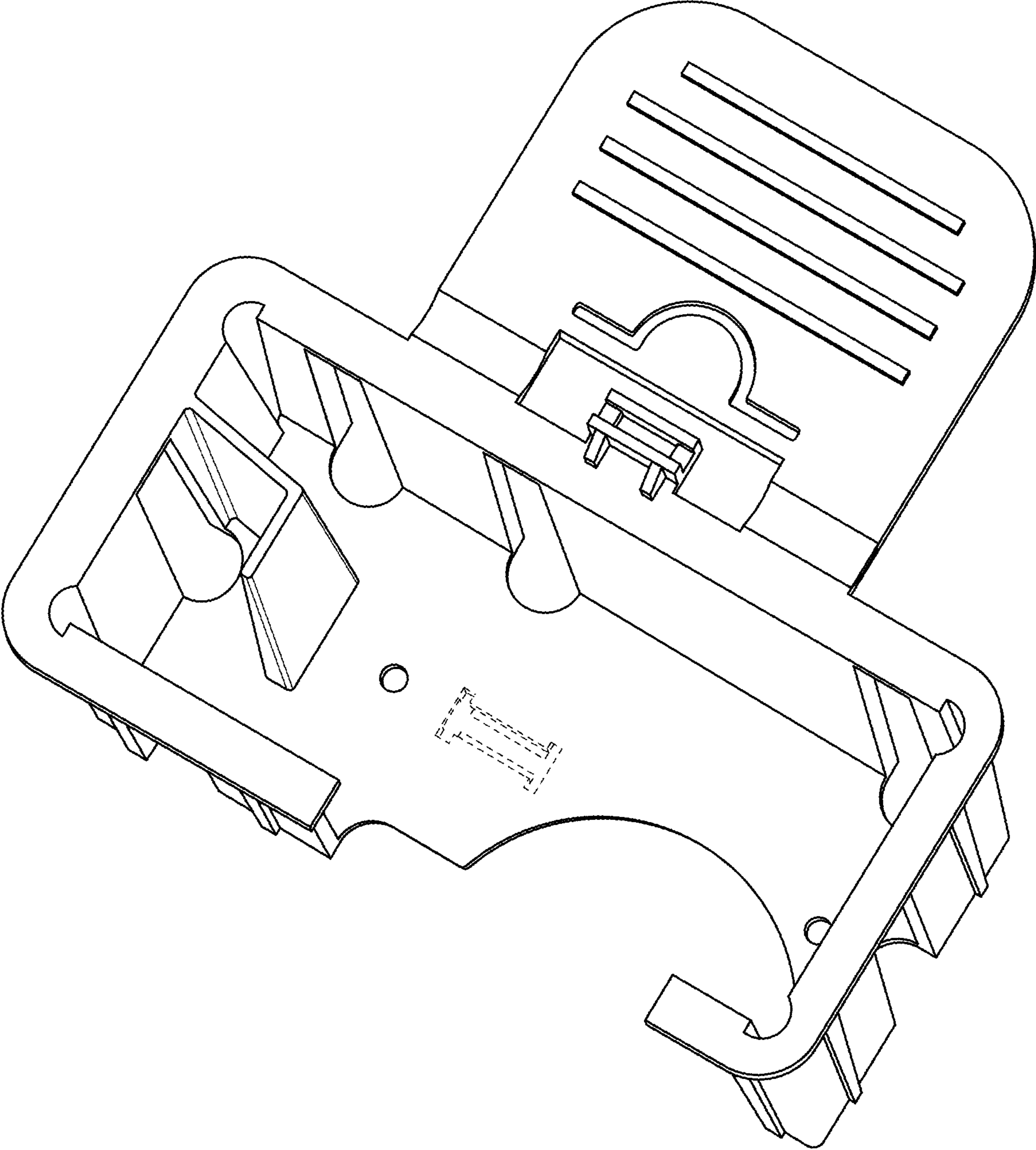


FIG. 1

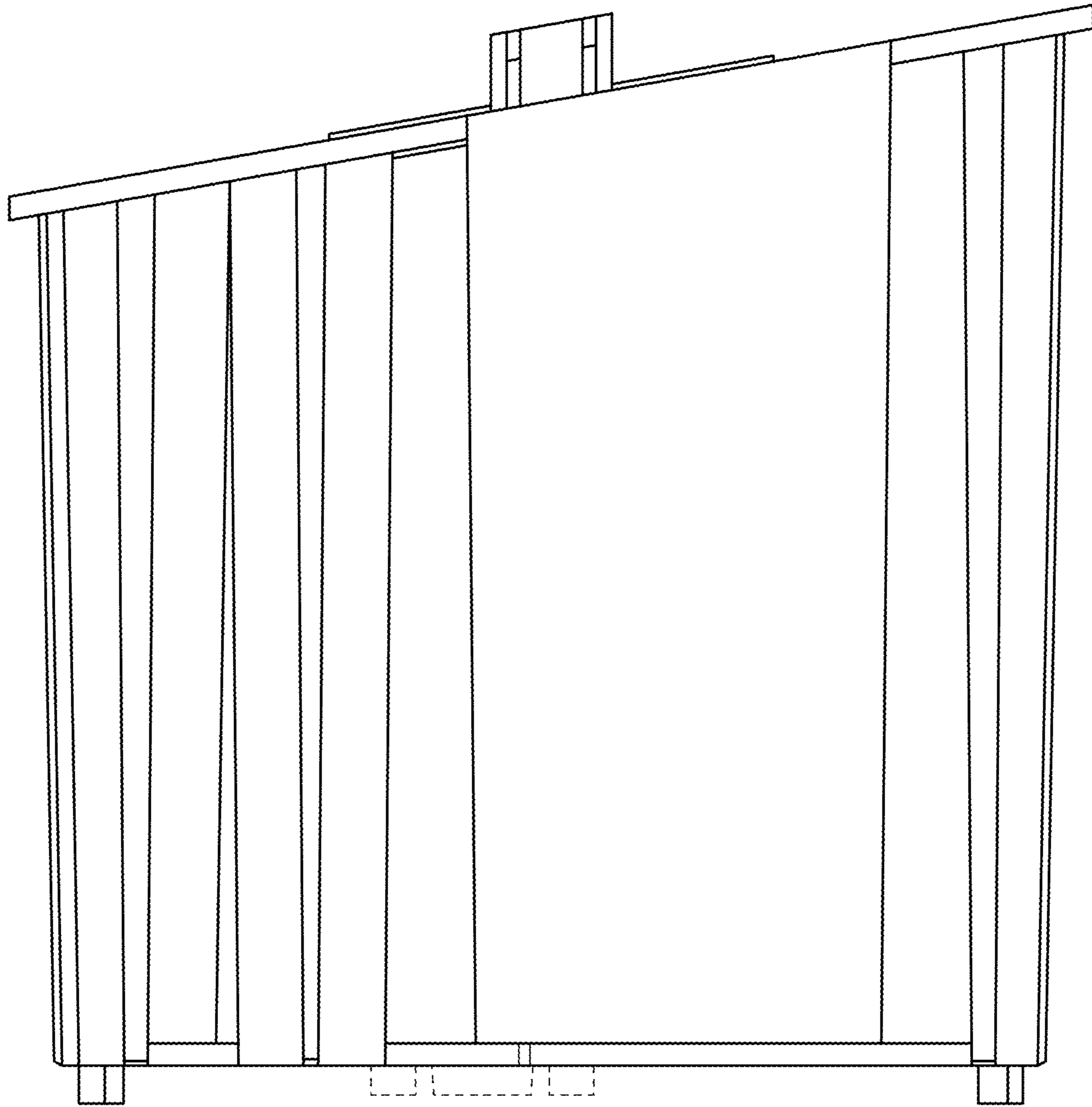


FIG. 2

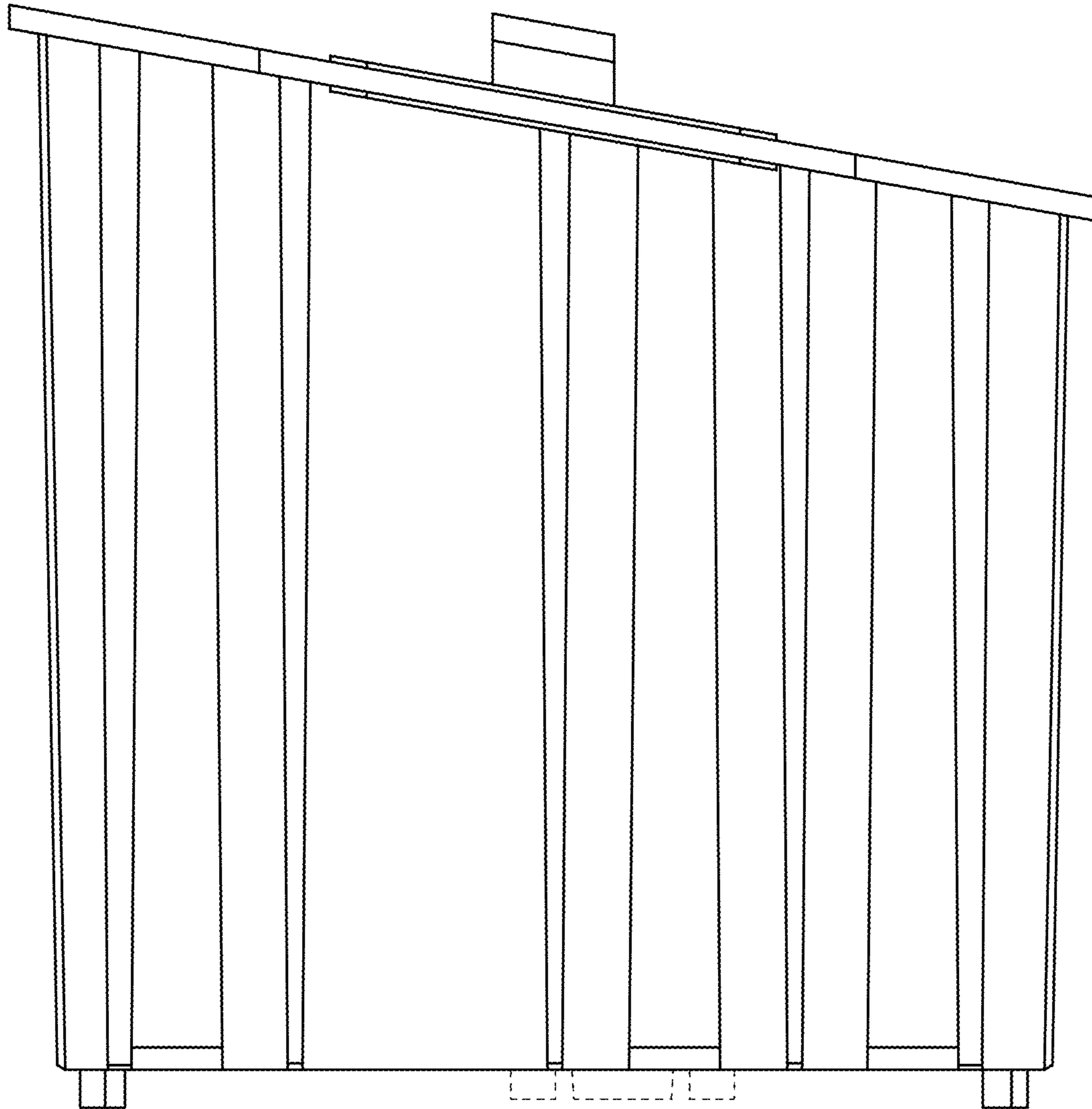


FIG. 3

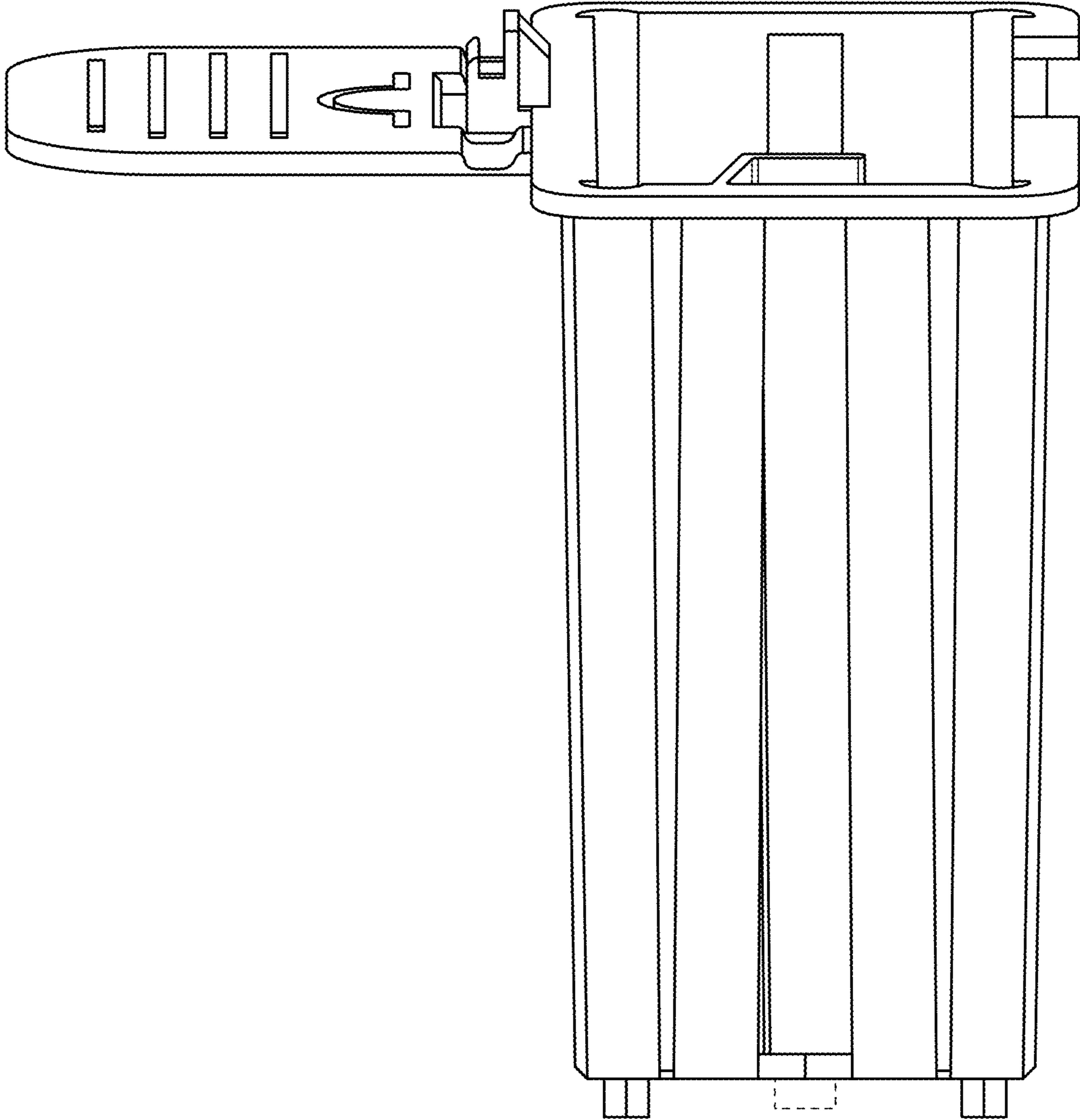


FIG. 4

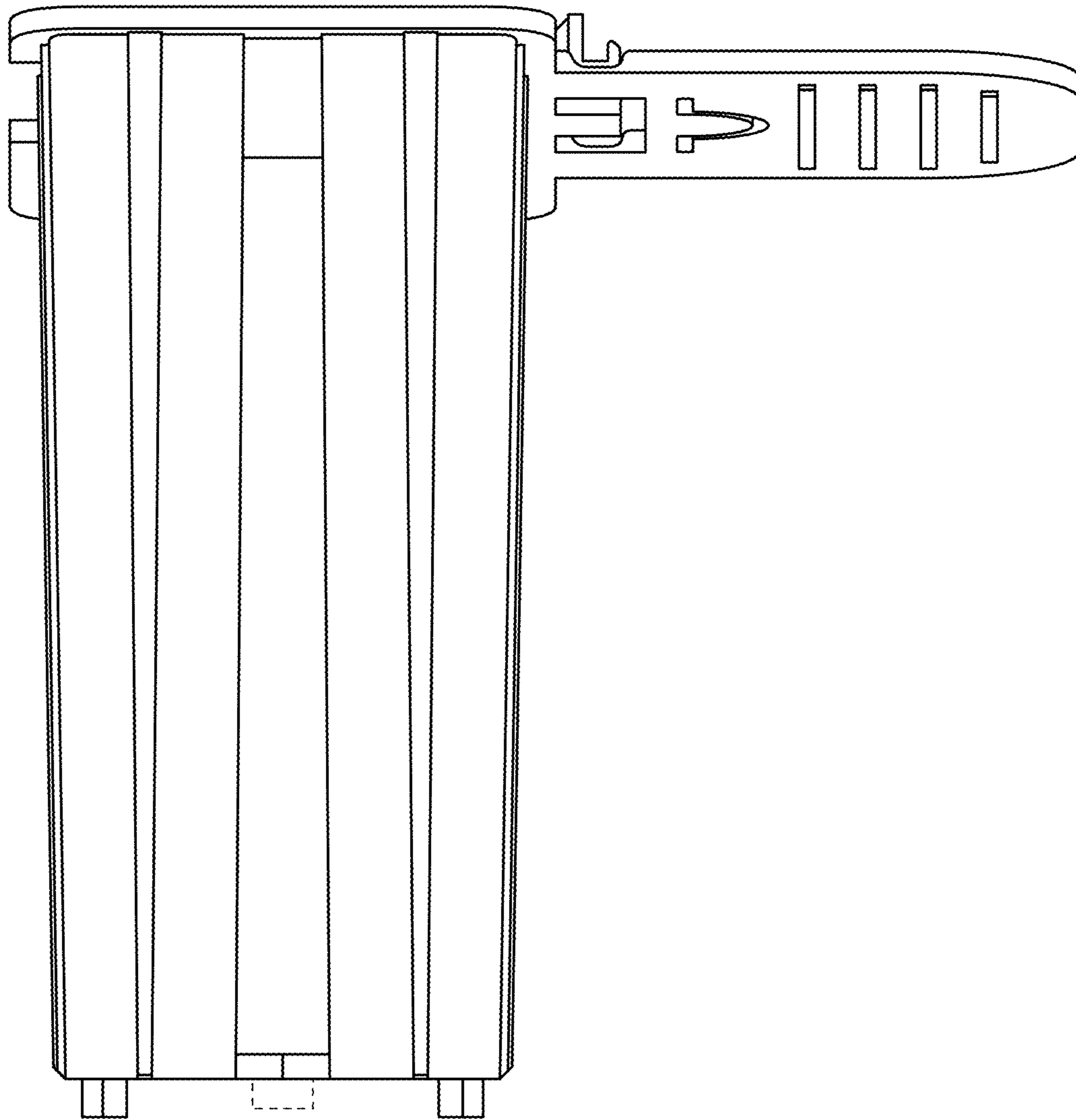


FIG. 5

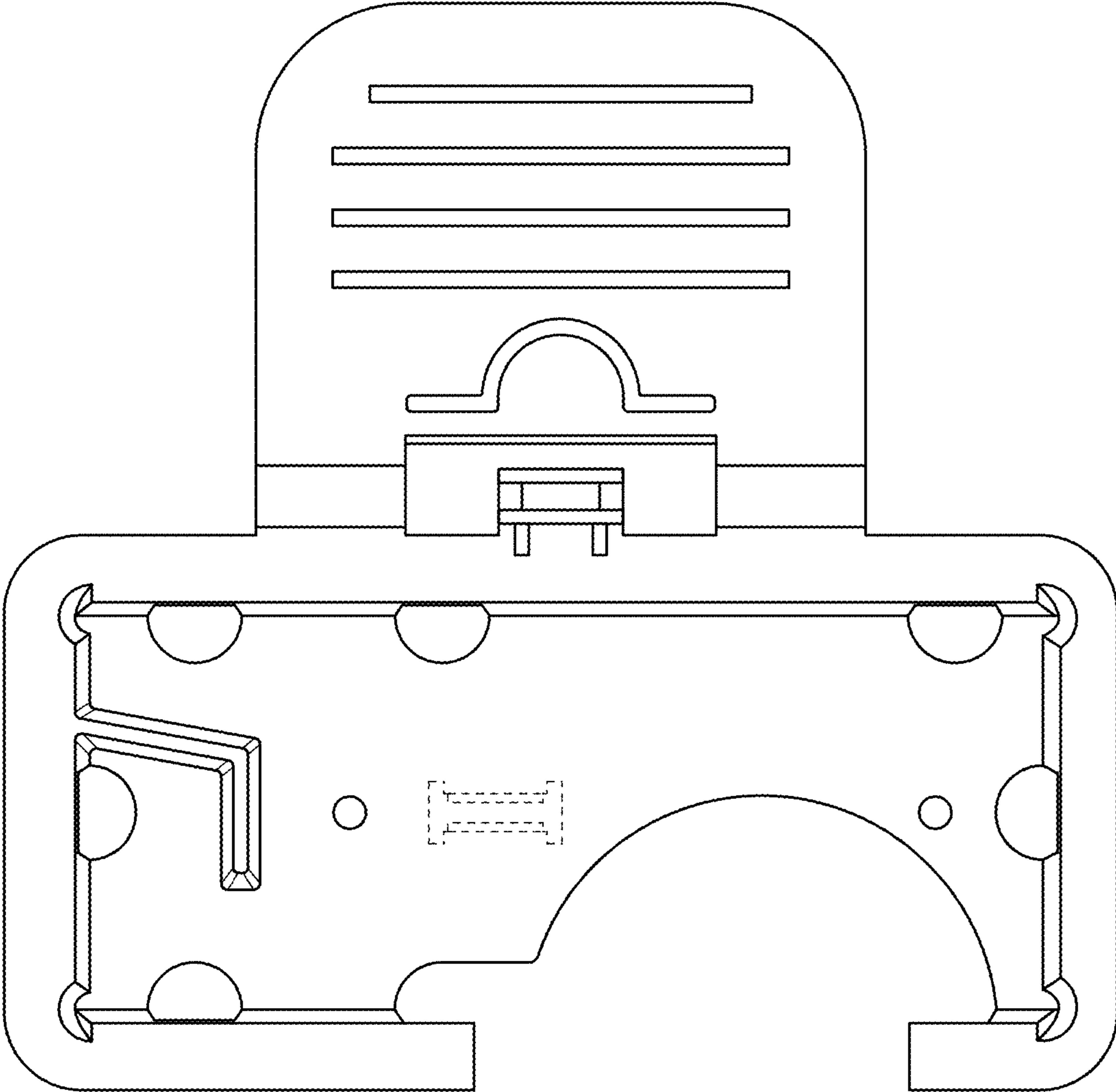


FIG. 6

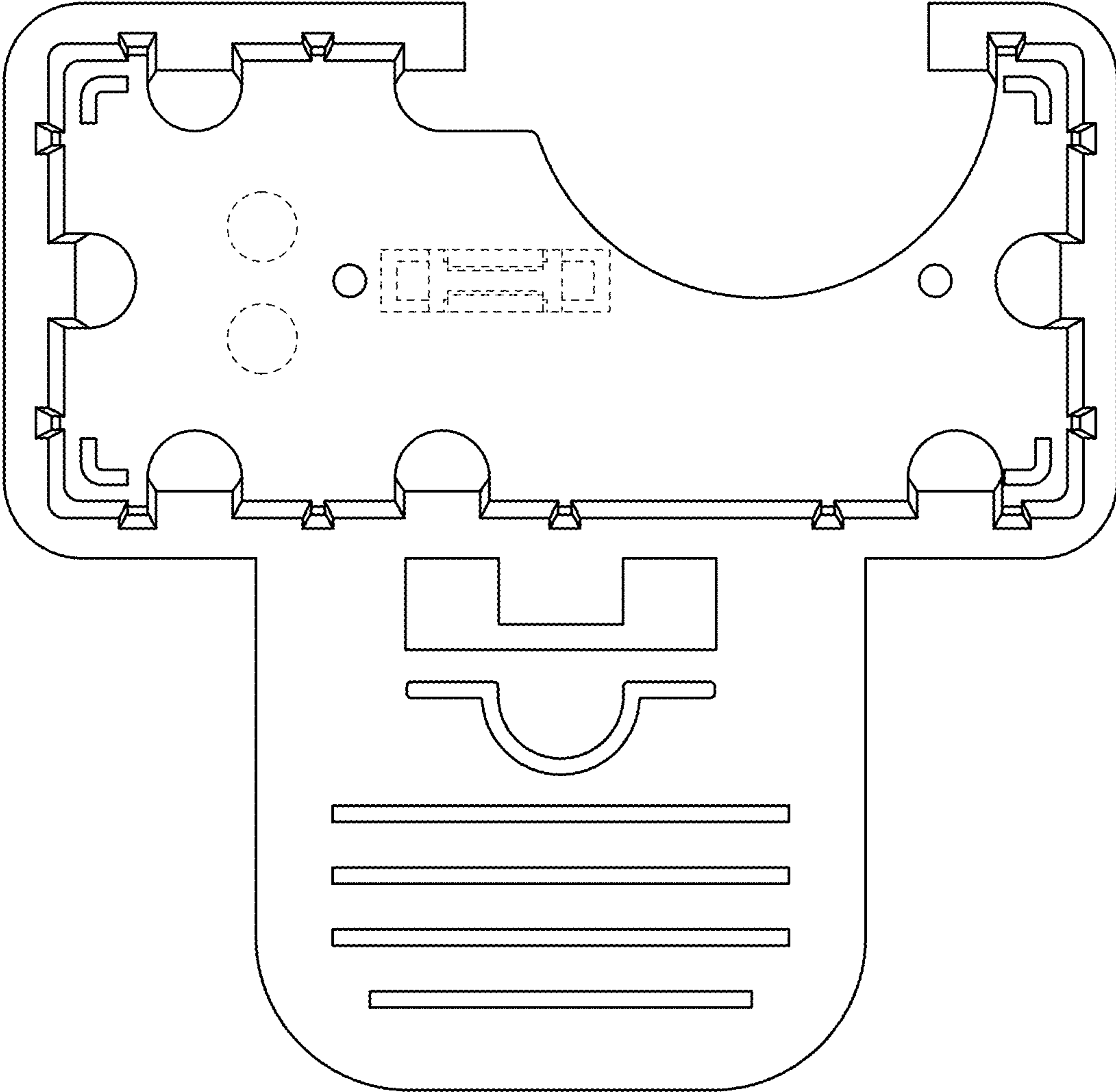


FIG. 7