



US00D970037S

(12) **United States Design Patent** (10) **Patent No.:** **US D970,037 S**
York (45) **Date of Patent:** **** Nov. 15, 2022**

(54) **SPECIMEN COLLECTION CONTAINER**

(71) Applicant: **Rebecca Sue York**, Arcanum, OH (US)

(72) Inventor: **Marcus York**, Anderson, IN (US)

(**) Term: **15 Years**

(21) Appl. No.: **29/843,093**

(22) Filed: **Jun. 17, 2022**

D610,254 S 2/2010 Huff
D625,961 S * 10/2010 Kent D7/545
7,850,006 B2 * 12/2010 Uchiyama A61B 1/041
206/363
D645,559 S 9/2011 Green et al.
D662,217 S 6/2012 Brown et al.
D668,331 S 10/2012 Ren et al.
D669,979 S 10/2012 Adams
D670,377 S 11/2012 Adams
D674,482 S 1/2013 Wurapa

(Continued)

Related U.S. Application Data

(62) Division of application No. 29/739,490, filed on Jun. 25, 2020, now Pat. No. Des. 955,601.

(51) **LOC (13) Cl.** **24-02**

(52) **U.S. Cl.**
USPC **D24/224; D24/122**

(58) **Field of Classification Search**
USPC D24/112, 122, 127, 132, 216, 224, 226,
D24/227, 229, 230; D23/302, 303, 309;
D7/400, 586, 587, 619, 629, 700, 701,
D7/703

CPC B01L 2300/042; B01L 2200/141; B01L
2300/0663; B01L 2300/0825; G01N
33/94; A61B 10/0038; A61B 5/20; A61B
10/007; A61B 5/208

See application file for complete search history.

(56) **References Cited**

U.S. PATENT DOCUMENTS

D227,413 S * 6/1973 Sherin D7/700
D275,606 S * 9/1984 Zawachi D24/122
D290,880 S * 7/1987 Blanton D7/700
D339,720 S * 9/1993 Kolada D7/667
D371,601 S * 7/1996 Markles D7/700
D425,982 S * 5/2000 Wilkinson D24/122
D441,075 S * 4/2001 Nara D24/122
D466,407 S * 12/2002 Nance D9/428
D563,161 S * 3/2008 Bodum D7/400
D605,754 S 12/2009 Nelson et al.
D607,557 S 1/2010 Wiggins

OTHER PUBLICATIONS

Urine & Stool Specimen Collection Pan, Nurses Hat. Online, published date unknown. Retrieved on Aug. 31, 2022 from URL: https://www.mountainside-medical.com/products/commode-specimen-collector-hats-800cc.*

Primary Examiner — Omeed Agilee

(74) *Attorney, Agent, or Firm* — Thomas E. Lees, LLC

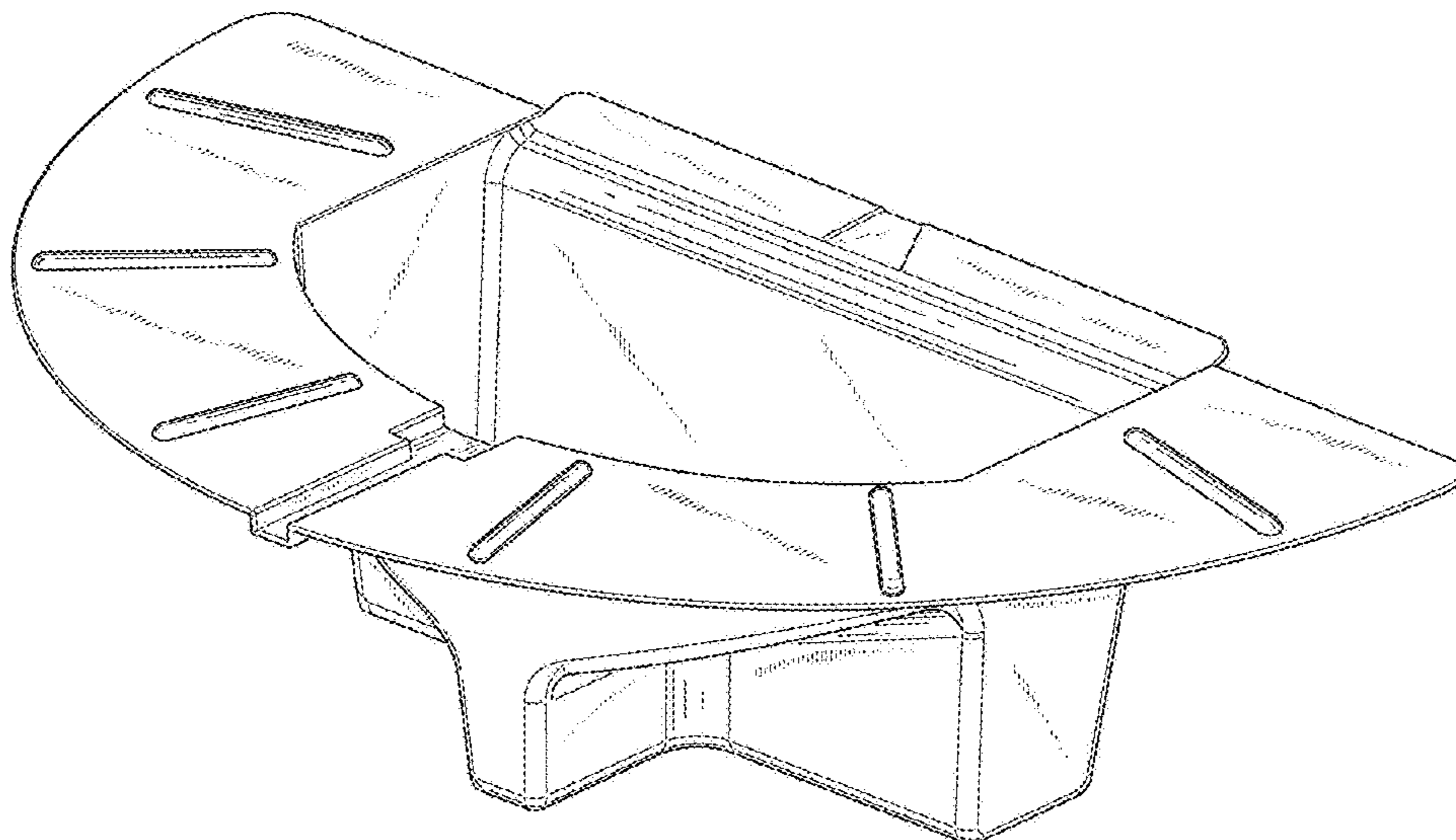
(57) **CLAIM**

The ornamental design for a specimen collection container, as shown and described.

DESCRIPTION

FIG. 1 is a perspective view of a specimen collection container;
FIG. 2 is a front side elevational view of the specimen collection container of FIG. 1;
FIG. 3 is a rear side elevational view of the specimen collection container of FIG. 1;
FIG. 4 is a left side elevational view of the specimen collection container of FIG. 1;
FIG. 5 is a right side elevational view of the specimen collection container of FIG. 1;
FIG. 6 is a top plan view of the specimen collection container of FIG. 1; and,
FIG. 7 is a bottom plan view of the specimen collection container of FIG. 1.

1 Claim, 7 Drawing Sheets



(56)

References Cited

U.S. PATENT DOCUMENTS

D694,900	S	*	12/2013	Hohl	D24/220
D694,905	S	*	12/2013	Brown	D24/224
D710,701	S		8/2014	Lai		
D711,195	S		8/2014	Cornu et al.		
D727,107	S	*	4/2015	Parodi, Jr.	D7/533
D737,959	S	*	9/2015	Wilson	D24/123
D738,491	S		9/2015	Foley et al.		
D746,979	S		1/2016	Dominguez et al.		
D771,804	S		11/2016	York		
D782,907	S	*	4/2017	Sowieja	D9/447
9,757,097	B2		9/2017	Hall et al.		
9,775,586	B2		10/2017	Hall et al.		
D845,469	S		4/2019	Hamilton et al.		
D903,142	S	*	11/2020	Hoke	D24/224
D907,781	S	*	1/2021	Moudy	A61G 7/0755
						D24/171
D955,601	S	*	6/2022	York	D24/224
D959,697	S	*	8/2022	Berka	D24/227
2012/0316462	A1	*	12/2012	Enos	A61B 10/0038
						600/562
2014/0121561	A1	*	5/2014	Chacchia	A61B 5/20
						600/574

* cited by examiner

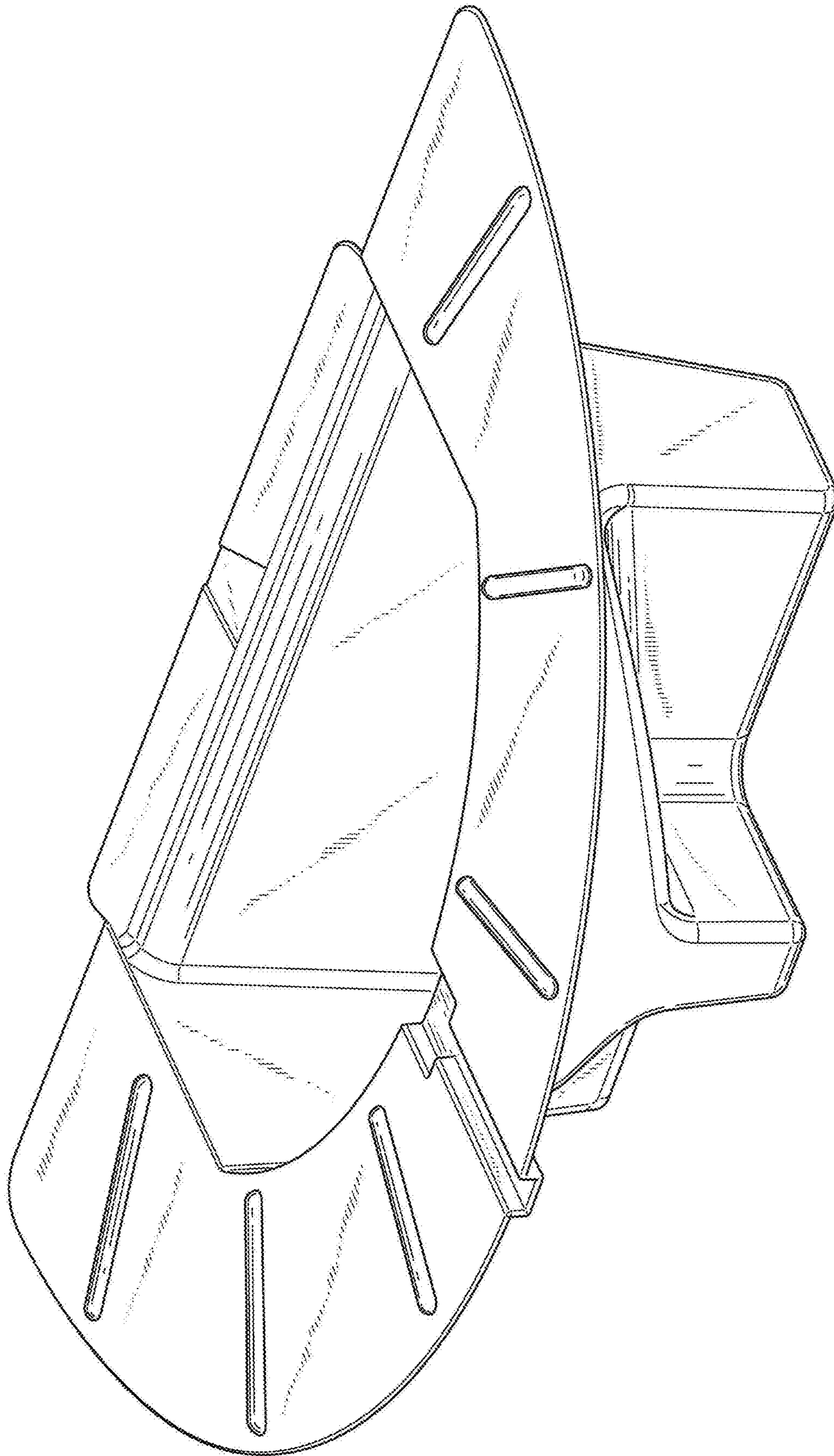


FIG. 1

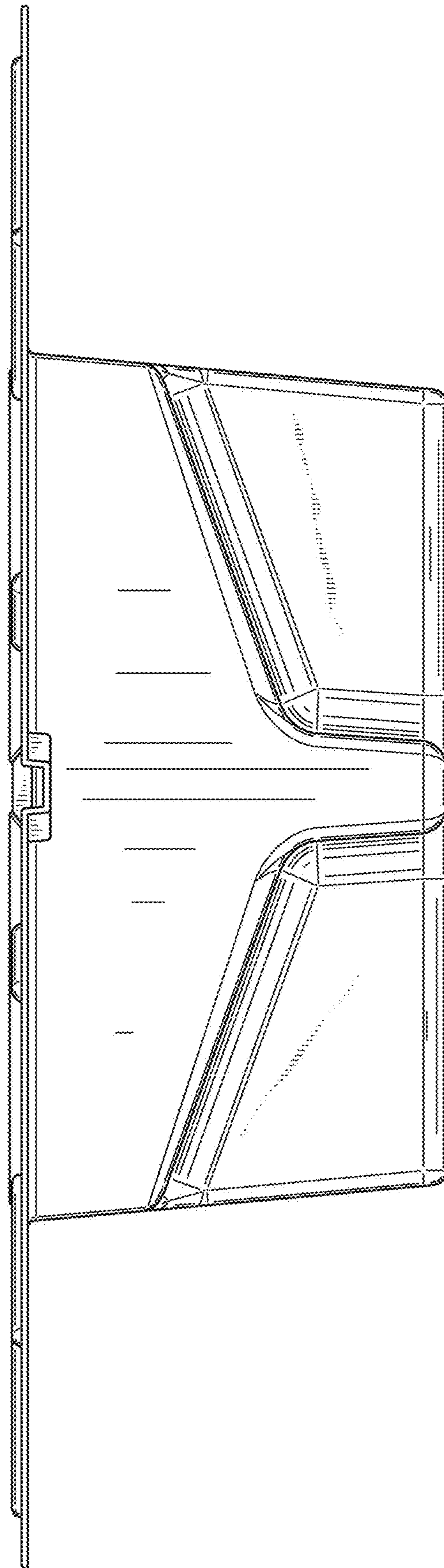


FIG. 2

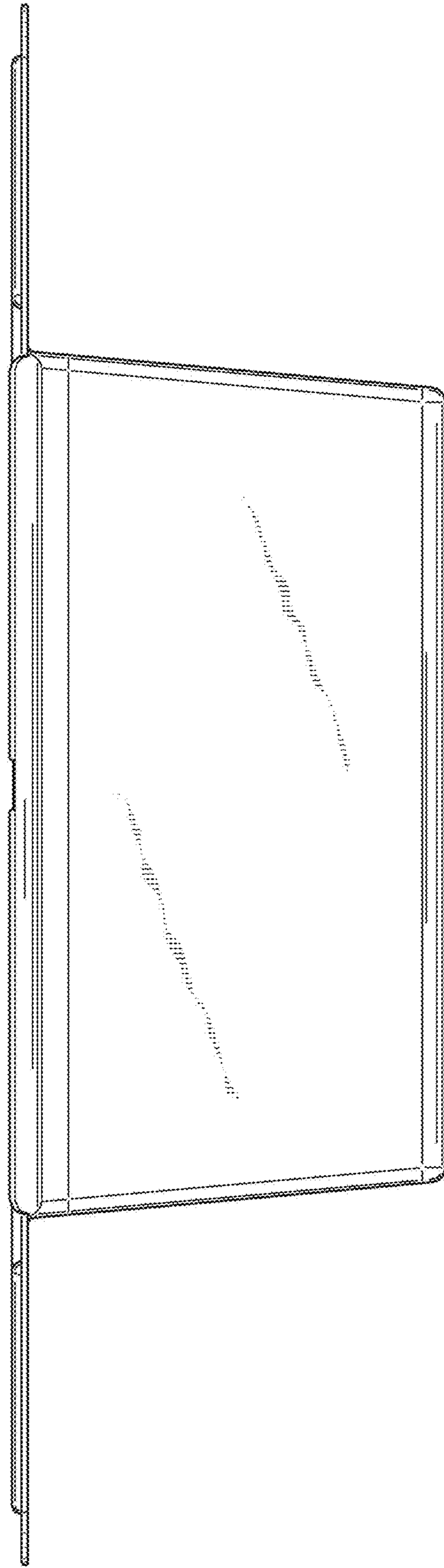


FIG. 3

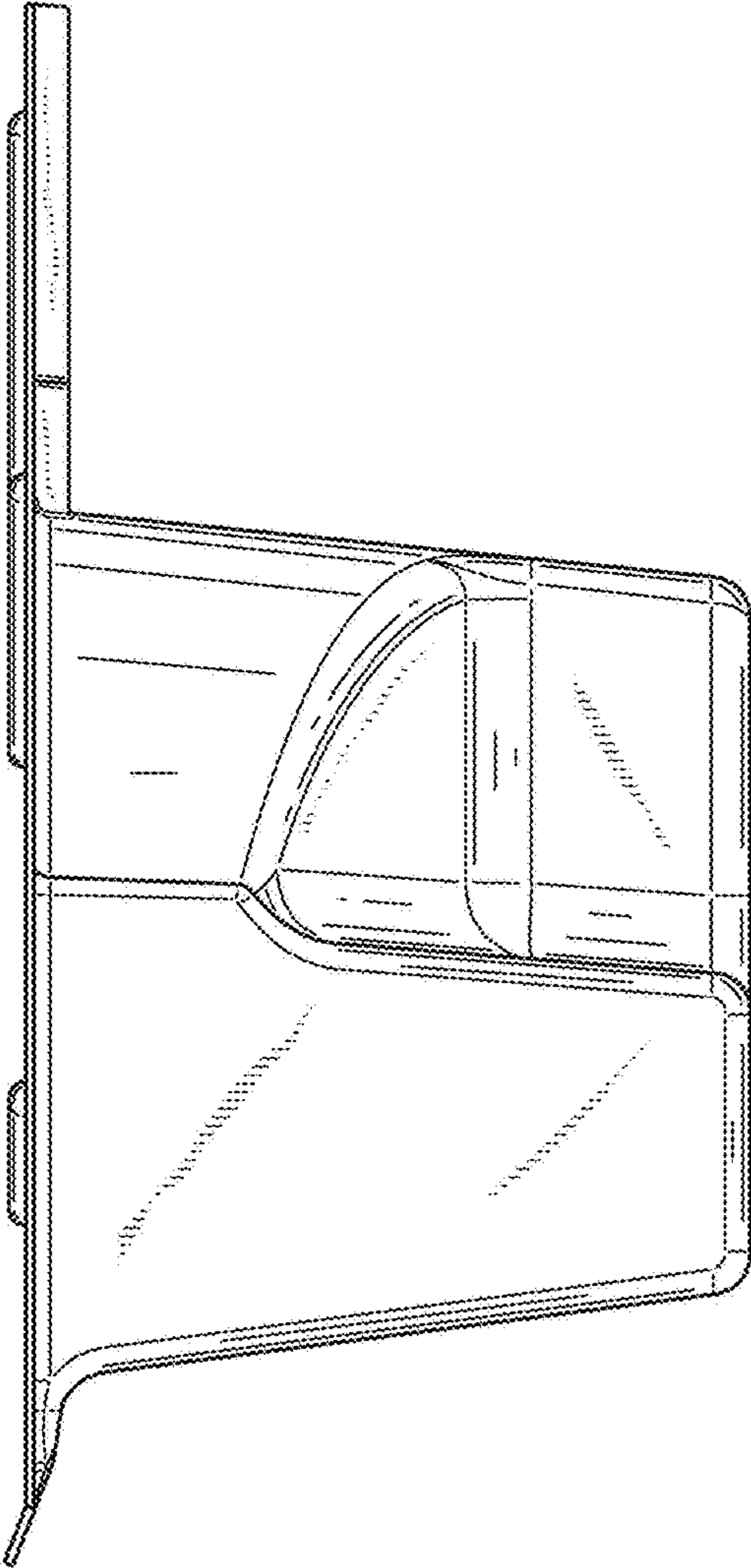


FIG. 4

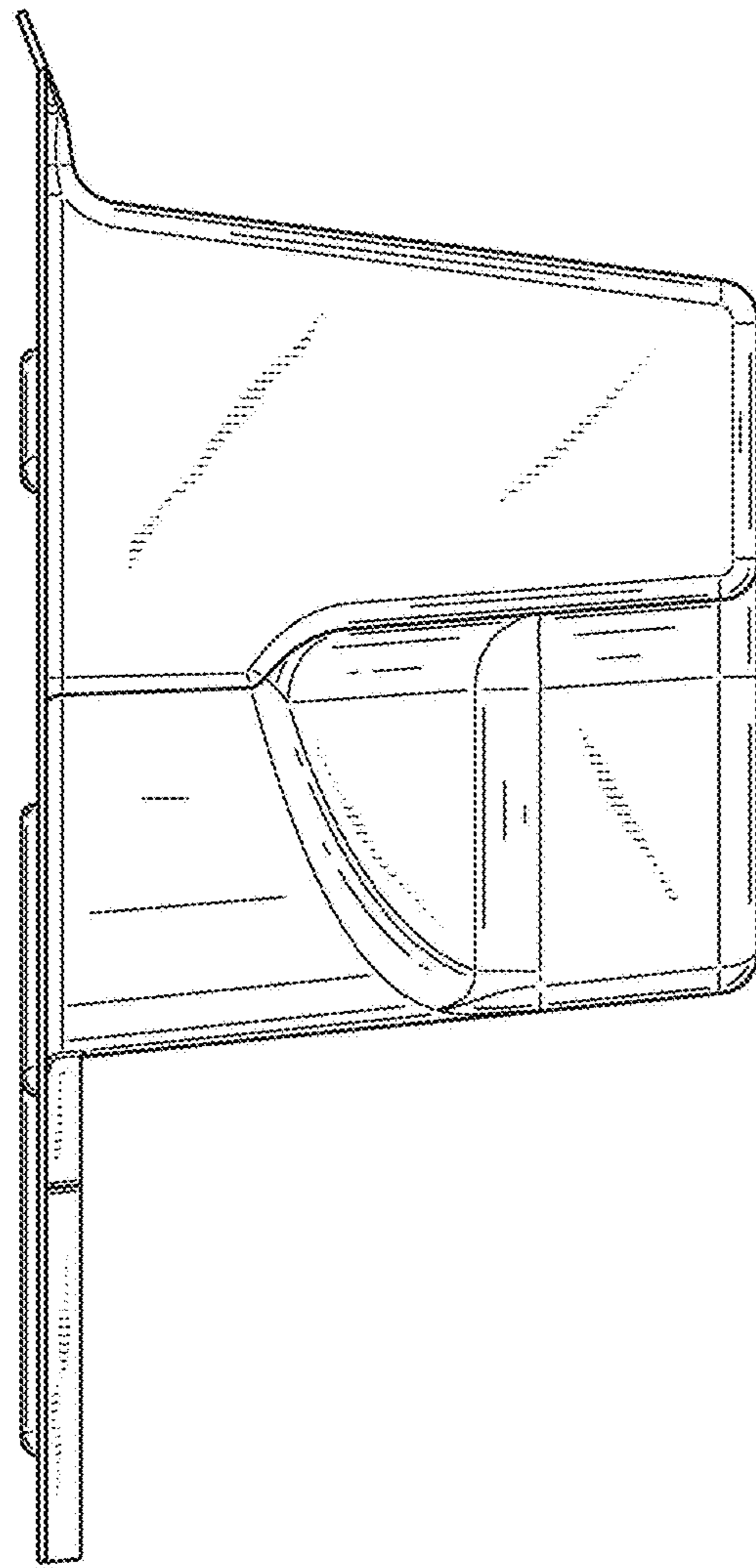


FIG. 5

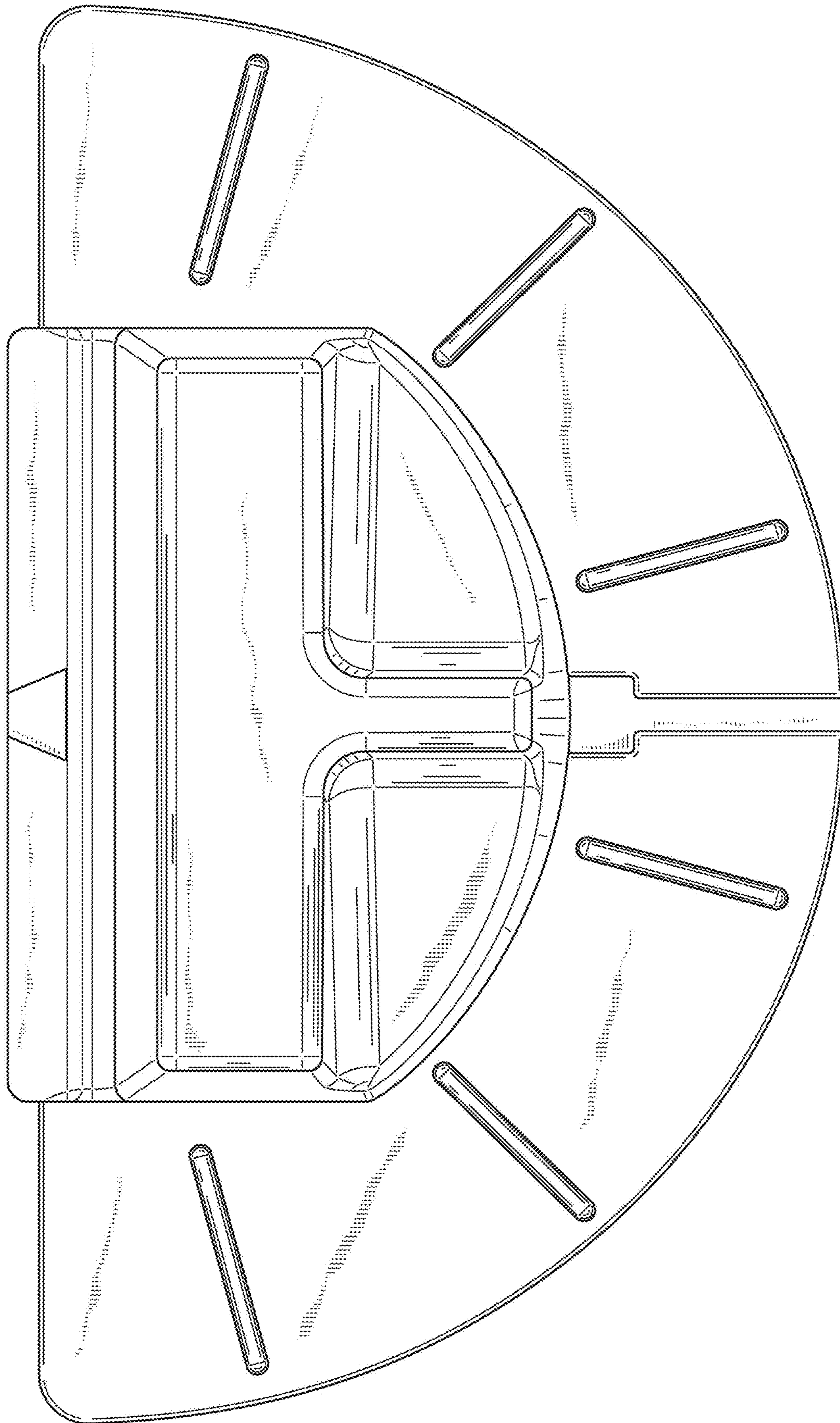


FIG. 6

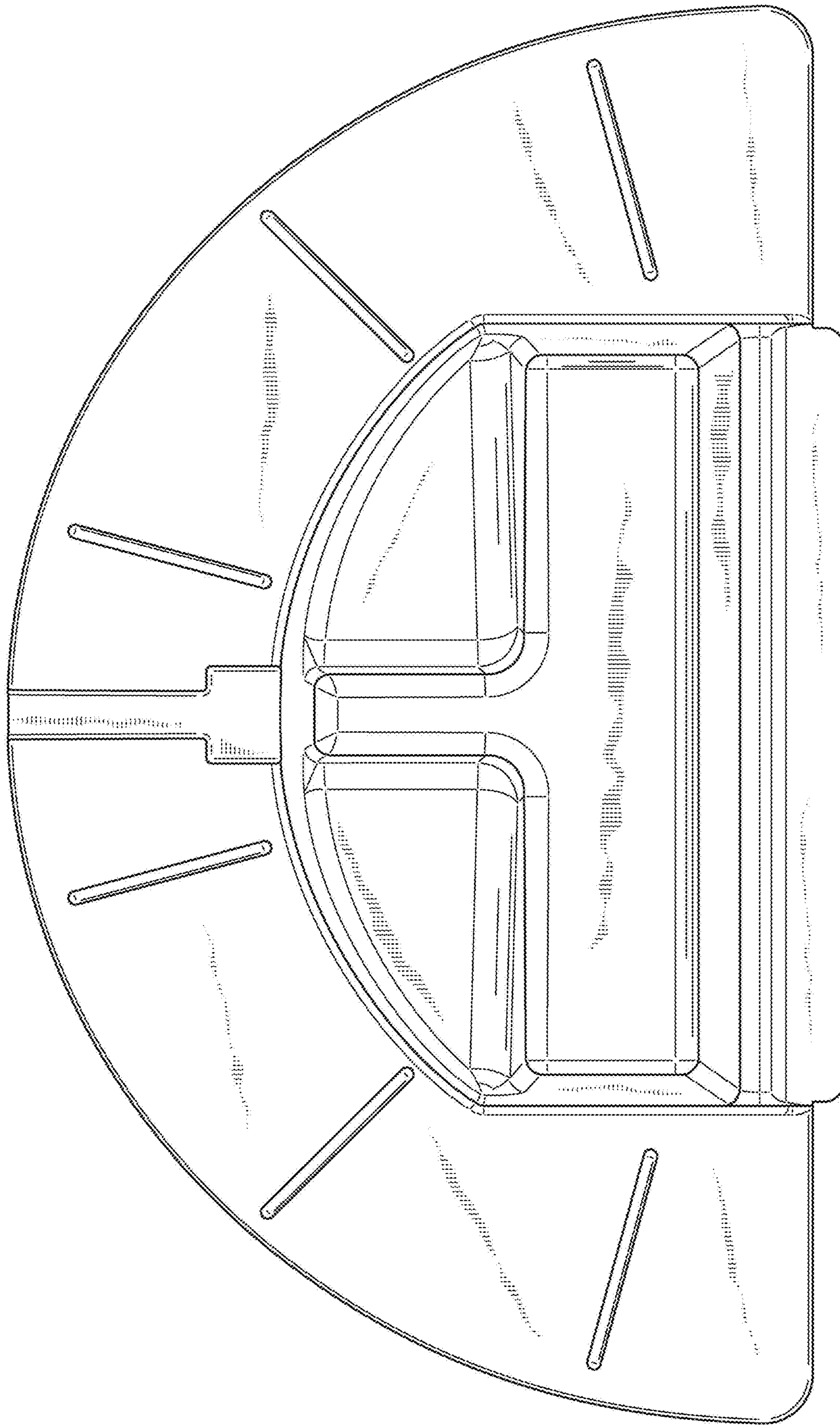


FIG. 7