



US00D970033S

(12) **United States Design Patent** (10) **Patent No.:** **US D970,033 S**
Marcelpoil et al. (45) **Date of Patent:** **** Nov. 15, 2022**

(54) **CARTRIDGE IMAGING BACKGROUND DEVICE**

(71) Applicant: **Becton, Dickinson and Company**, Franklin Lakes, NJ (US)

(72) Inventors: **Raphael Marcelpoil**, Grenoble (FR); **John Page**, White Hall, MD (US); **Jean-Marc Volle**, Coublevie (FR); **Cedrick Orny**, Grenoble (FR); **Carmelo Tricoli**, Grenoble (FR); **Mathieu Fernandes**, Coublevie (FR)

(73) Assignee: **Becton, Dickinson and Company**, Franklin Lakes, NJ (US)

(**) Term: **15 Years**

(21) Appl. No.: **29/756,005**

(22) Filed: **Oct. 23, 2020**

(51) **LOC (13) Cl.** **24-01**

(52) **U.S. Cl.**
USPC **D24/216**

(58) **Field of Classification Search**
USPC D24/216, 219, 223-227, 231, 232, 233, D24/234; D10/81
CPC .. B01L 3/502715; B01L 3/508; B01L 3/5085; B01L 3/50855; B01L 3/52; B01L 3/523; B01L 3/527; B01L 2200/16; B01L 2200/18; B01L 2300/0809; B01L 2300/0816; B01L 2300/0825; G01N 2021/0346; G06K 9/4652; G06K 9/4661; G06T 7/0012

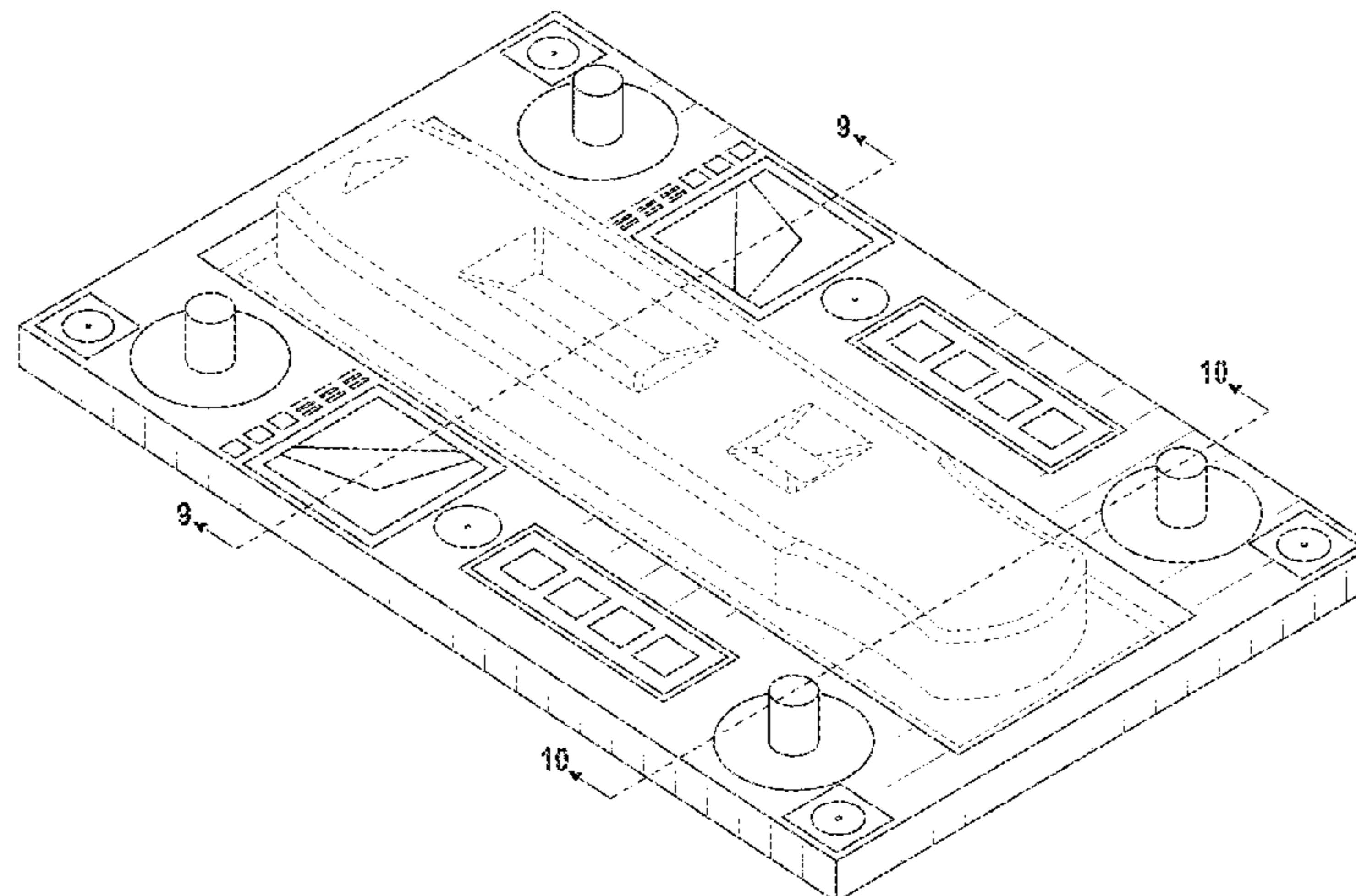
See application file for complete search history.

(56) **References Cited**

U.S. PATENT DOCUMENTS

4,843,377 A 6/1989 Fuller et al.
4,976,923 A 12/1990 Lipsky et al.
5,119,830 A 6/1992 Davis
5,260,219 A 11/1993 Fritz
5,360,013 A 11/1994 Gilbert
5,408,535 A 4/1995 Howard, III et al.

5,470,750 A 11/1995 Bar-Or
5,501,837 A 3/1996 Sayles
5,595,187 A 1/1997 Davis
5,976,469 A 11/1999 Davis
D457,246 S * 5/2002 Mazel D24/223
6,514,461 B1 2/2003 Lappe et al.
6,565,814 B1 5/2003 Anraku et al.
7,097,103 B2 8/2006 Tseng
7,190,818 B2 3/2007 Ellis et al.
7,197,169 B2 3/2007 Wang
7,267,799 B1 9/2007 Borich et al.
7,292,718 B2 11/2007 Douglass et al.
7,313,257 B2 12/2007 Roman
7,344,081 B2 3/2008 Tseng
7,420,663 B2 9/2008 Wang et al.
7,428,325 B2 9/2008 Douglass et al.
7,474,390 B2 1/2009 Robinson et al.
7,622,729 B2 11/2009 Duesbury
7,652,268 B2 1/2010 Patel
D633,209 S * 2/2011 Boessneck D24/169
D637,310 S * 5/2011 Barbieux D24/216
8,068,666 B2 11/2011 Gregory et al.
8,073,248 B2 12/2011 Brunner et al.
8,150,115 B2 4/2012 Capewell
8,268,636 B2 9/2012 Nazareth et al.
8,506,901 B2 8/2013 Chen et al.
D690,828 S * 10/2013 Yoon D24/224
8,655,009 B2 2/2014 Chen et al.
D712,060 S * 8/2014 Tippett D24/226
8,809,066 B2 8/2014 Matsumoto
8,814,531 B2 8/2014 Raasch
8,877,140 B2 11/2014 Chen et al.
8,889,424 B2 11/2014 Ehrenkranz et al.
8,911,679 B2 12/2014 Chen et al.
8,916,390 B2 12/2014 Ozean et al.
8,976,252 B2 3/2015 Koh et al.
8,998,613 B2 4/2015 Jung et al.
8,999,728 B2 4/2015 Nazareth et al.
9,042,630 B2 5/2015 Binnig et al.
9,063,091 B2 6/2015 Tsai et al.
9,230,187 B2 1/2016 Hamsici et al.
9,240,039 B2 1/2016 Cong et al.
9,285,323 B2 3/2016 Burg et al.
9,307,214 B1 4/2016 Liu et al.
9,354,181 B2 5/2016 Barstis et al.
9,386,221 B2 7/2016 Kauniskangas et al.
9,445,749 B2 9/2016 Erickson et al.
9,466,103 B2 10/2016 Athellogou et al.
9,466,104 B2 10/2016 Tsai et al.
9,489,703 B2 11/2016 Kauniskangas et al.
9,525,867 B2 12/2016 Thomas et al.
9,532,060 B2 12/2016 Mesh-Iliescu et al.
9,554,109 B2 1/2017 Yao



9,569,858 B2 2/2017 Babcock et al.
 9,600,878 B2 3/2017 Tsai et al.
 9,686,540 B2 6/2017 Zhou et al.
 9,689,803 B1 6/2017 Ruttner
 9,756,324 B1 9/2017 Flanagan et al.
 9,778,200 B2 10/2017 Tsai et al.
 9,787,815 B2 10/2017 Erickson et al.
 9,818,193 B2 11/2017 Smart
 9,824,441 B2 11/2017 Satish et al.
 9,833,783 B1 12/2017 Klein et al.
 9,857,372 B1 1/2018 Pulitzer et al.
 9,857,373 B1 1/2018 Pulitzer et al.
 9,863,811 B2 1/2018 Burg et al.
 9,888,186 B2 2/2018 Zhou et al.
 9,903,857 B2 2/2018 Polwart et al.
 9,933,359 B2 4/2018 Zehler et al.
 9,978,153 B2 5/2018 Kisner et al.
 9,990,560 B2 6/2018 Decker et al.
 10,019,656 B2 7/2018 Huang et al.
 10,055,837 B2 8/2018 Lee et al.
 10,068,329 B2 9/2018 Adiri et al.
 10,088,411 B2 10/2018 Shyam et al.
 10,089,753 B1 10/2018 Fegyver et al.
 10,101,342 B2 10/2018 Nazareth et al.
 10,132,802 B2 11/2018 Ehrenkranz
 10,168,322 B2 1/2019 Nazareth et al.
 10,175,162 B2 1/2019 Jia et al.
 10,210,626 B2 2/2019 Chiba et al.
 10,267,743 B2 4/2019 Burg et al.
 10,331,924 B2 6/2019 Pulitzer et al.
 10,352,946 B2 7/2019 Nazareth et al.
 10,354,166 B2 7/2019 Nahum et al.
 10,354,412 B2 7/2019 Kisner et al.
 D857,228 S * 8/2019 Kaplan D24/225
 10,395,368 B2 8/2019 Berezhna et al.
 10,473,659 B2 11/2019 Pulitzer et al.
 10,477,175 B2 11/2019 Ogasawara et al.
 10,498,936 B2 12/2019 Ehrenkranz
 10,527,555 B2 1/2020 Pulitzer et al.
 10,559,081 B2 2/2020 Omer et al.
 10,571,395 B2 2/2020 Karlovac et al.
 D879,999 S * 3/2020 Wronko D24/225
 10,605,741 B2 3/2020 Lu et al.
 10,635,870 B2 4/2020 Pulitzer et al.
 10,636,527 B2 4/2020 Pulitzer et al.
 10,663,466 B2 5/2020 Ozean et al.
 D886,901 S * 6/2020 Hussey D18/56
 10,670,533 B2 6/2020 Nazareth et al.
 10,681,516 B2 6/2020 Zin et al.
 10,753,932 B2 8/2020 Hopper
 10,769,489 B2 9/2020 Nahum et al.
 10,796,183 B2 10/2020 Topal et al.
 10,835,122 B2 11/2020 Pulitzer et al.
 10,890,534 B2 1/2021 Pulitzer et al.
 10,948,352 B2 3/2021 Burg
 D915,618 S * 4/2021 Heron D24/226
 10,983,065 B2 4/2021 Burg
 10,991,096 B2 4/2021 Adiri et al.
 11,026,624 B2 6/2021 Adiri et al.
 11,030,778 B2 6/2021 Burg et al.
 11,087,467 B2 8/2021 Adiri et al.
 11,107,585 B2 8/2021 Pulitzer et al.
 11,112,406 B2 9/2021 Pulitzer et al.
 11,120,235 B2 9/2021 Pulitzer et al.
 2003/0108450 A1 6/2003 Mainquist et al.
 2005/0221504 A1 10/2005 Petruno et al.
 2007/0026530 A1 2/2007 Wu et al.
 2007/0196862 A1 8/2007 Wang
 2008/0287316 A1 11/2008 Spivey et al.
 2015/0211987 A1 7/2015 Burg et al.
 2015/0254844 A1 9/2015 Tsai et al.
 2015/0325006 A1 11/2015 Adiri et al.
 2016/0139156 A1 5/2016 Lakdawala et al.
 2016/0222373 A1 8/2016 Jia
 2016/0245793 A1 * 8/2016 Samsoondar B01L 3/50273
 2016/0281150 A1 * 9/2016 Rawlings B01L 9/527
 2016/0300420 A1 10/2016 Li et al.
 2018/0190373 A1 7/2018 Pulitzer et al.
 2018/0196037 A1 7/2018 Polwart et al.

2018/0259449 A1 9/2018 Poulsen et al.
 2018/0364224 A1 12/2018 Pulitzer et al.
 2018/0372717 A1 12/2018 Tu et al.
 2019/0148014 A1 5/2019 Pulitzer et al.
 2019/0302009 A1 10/2019 Borich et al.
 2019/0376966 A1 12/2019 Pulitzer et al.
 2020/0126227 A1 * 4/2020 Adiri G06T 7/0012
 2020/0242769 A1 7/2020 Limburg et al.
 2020/0276329 A1 9/2020 Ruben et al.
 2020/0286600 A1 9/2020 De Brouwer et al.
 2020/0319140 A1 10/2020 Saratkar et al.
 2021/0016280 A1 * 1/2021 Flesher B01L 3/502715
 2021/0089814 A1 3/2021 Lopes et al.
 2021/0142890 A1 5/2021 Adiri et al.
 2021/0231574 A1 7/2021 Wang et al.
 2022/0084659 A1 3/2022 Rowe et al.
 2022/0128455 A1 4/2022 Marcelpoil et al.

FOREIGN PATENT DOCUMENTS

EP 1963828 B1 9/2008
 EP 3477270 A1 5/2019
 EP 3581921 A1 12/2019
 EP 3591385 A1 1/2020
 EP 3651162 A1 5/2020
 KR 101492972 B1 2/2015
 WO WO 2012/131386 A1 10/2012
 WO WO 2013/116831 A1 8/2013
 WO WO 2014/025415 A2 2/2014
 WO WO 2014/057159 A1 4/2014
 WO WO 2014/178062 A2 11/2014
 WO WO 2017/138946 A1 8/2017
 WO WO 2017/140686 A1 8/2017
 WO WO 2019/153934 A1 8/2019
 WO WO 2019/162496 A1 8/2019
 WO WO 2019/215199 A1 11/2019
 WO WO 2019/238500 A1 12/2019
 WO WO 2019/246361 A1 12/2019
 WO WO 2020/016616 A1 1/2020
 WO WO 2020/089188 A1 5/2020
 WO WO 2020/161238 A1 8/2020
 WO WO 2020/165456 A1 8/2020
 WO WO 2021/55127 A1 8/2021
 WO WO 2021/155082 A1 8/2021
 WO WO 2021/155103 A1 8/2021
 WO WO 2021/155105 A1 8/2021
 WO WO 2021/155153 A1 8/2021
 WO WO 2021/155170 A1 8/2021

OTHER PUBLICATIONS

Healthy.io gets FDA nod for smartphone camera-based home urine test. By Jonah Comstock (/content/jonah-comstock) Jul. 25, 2018. Retrieved from internet on Nov. 18, 2021 at: <https://www.mobihealthnews.com/content/healthyio-gets-fda-nod-smartphone-camera-based-home-urine-test>.
 healthy.io; (2020) Turning the smartphone into a medical device, downloaded from the Internet on Jan. 8, 2021, URL: <<https://healthy.io/services/maternity/>> in 3 pages.
 SCANWELL Health; (2020) At Home Medical Testing Kits, downloaded from the Internet on Jan. 8, 2021, URL: <<https://www.scanwellhealth.com/uti>> in 9 pages.
 Vogeser et al., "Evaluation of a commercially available rapid urinary porphobilinogen test," Clin Chem Lab Med. Jan. 1, 2011;49(9): 1491-1494.

* cited by examiner

Primary Examiner — Anhdao Doan
 (74) Attorney, Agent, or Firm — Knobbe Martens Olson & Bear, LLP

(57) CLAIM

The ornamental design for a cartridge imaging background device, as shown and described.

DESCRIPTION

FIG. 1 is a perspective view of a first cartridge imaging background device in accordance with the present invention showing a cartridge in broken lines to illustrate the environmental structure in which the article embodying the design is used.

FIG. 2 is a perspective view of the cartridge imaging background device of FIG. 1 without the cartridge shown in broken lines.

FIG. 3 is a top view of the cartridge imaging background device of FIG. 2.

FIG. 4 is a bottom view of the cartridge imaging background device of FIG. 2.

FIG. 5 is a left side view of the cartridge imaging background device of FIG. 2.

FIG. 6 is a right side view of the cartridge imaging background device of FIG. 2.

FIG. 7 is a front view of the cartridge imaging background device of FIG. 2.

FIG. 8 is a back view of the cartridge imaging background device of FIG. 2.

FIG. 9 is a cross-sectional view of the cartridge imaging background device of FIG. 1 taken along line 9-9 shown in FIG. 1.

FIG. 10 is a cross-sectional view of the cartridge imaging background device of FIG. 1 taken along line 10-10 shown in FIG. 1.

FIG. 11 is a cross-sectional view of the cartridge imaging background device of FIG. 2 taken along line 11-11 shown in FIG. 2; and,

FIG. 12 is a cross-sectional view of the cartridge imaging background device of FIG. 2 taken along line 12-12 shown in FIG. 2.

The broken lines depicting a cartridge in FIGS. 1, 9, and 10 illustrate environmental structure and form no part of the claimed design, and the remaining broken lines illustrate portions of the cartridge imaging background device that form no part of the claimed design.

1 Claim, 7 Drawing Sheets

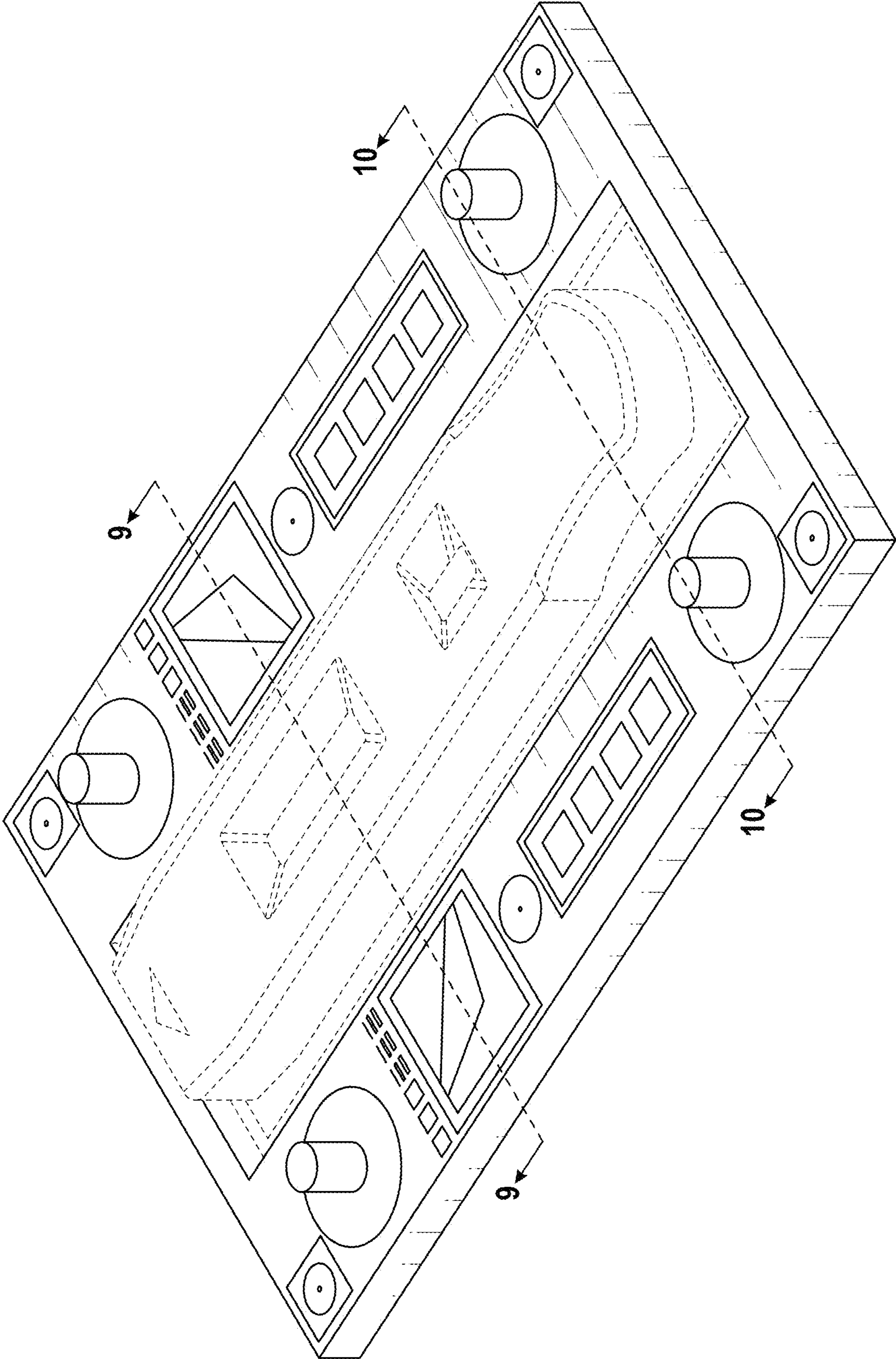


FIG. 1

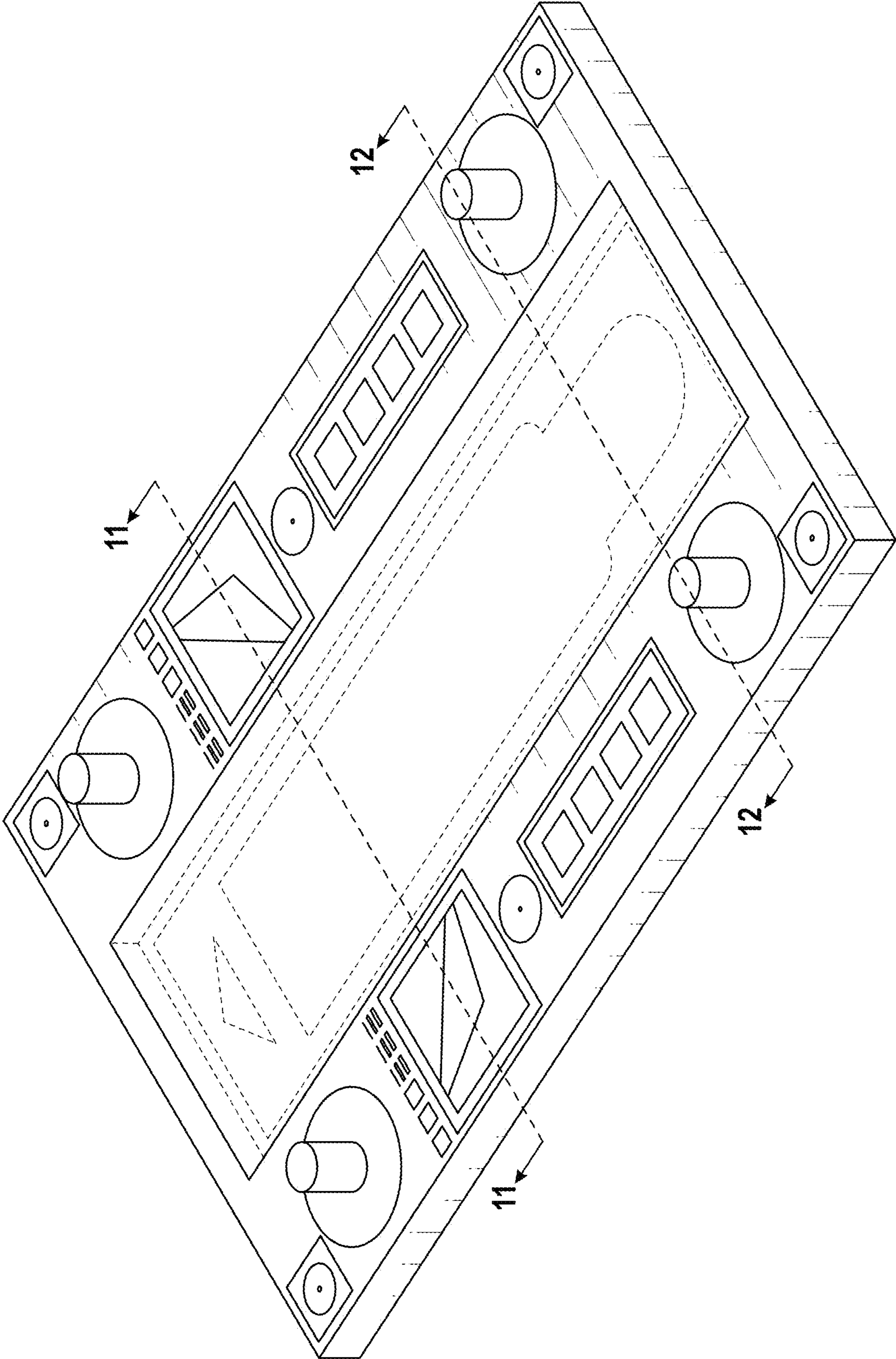


FIG. 2

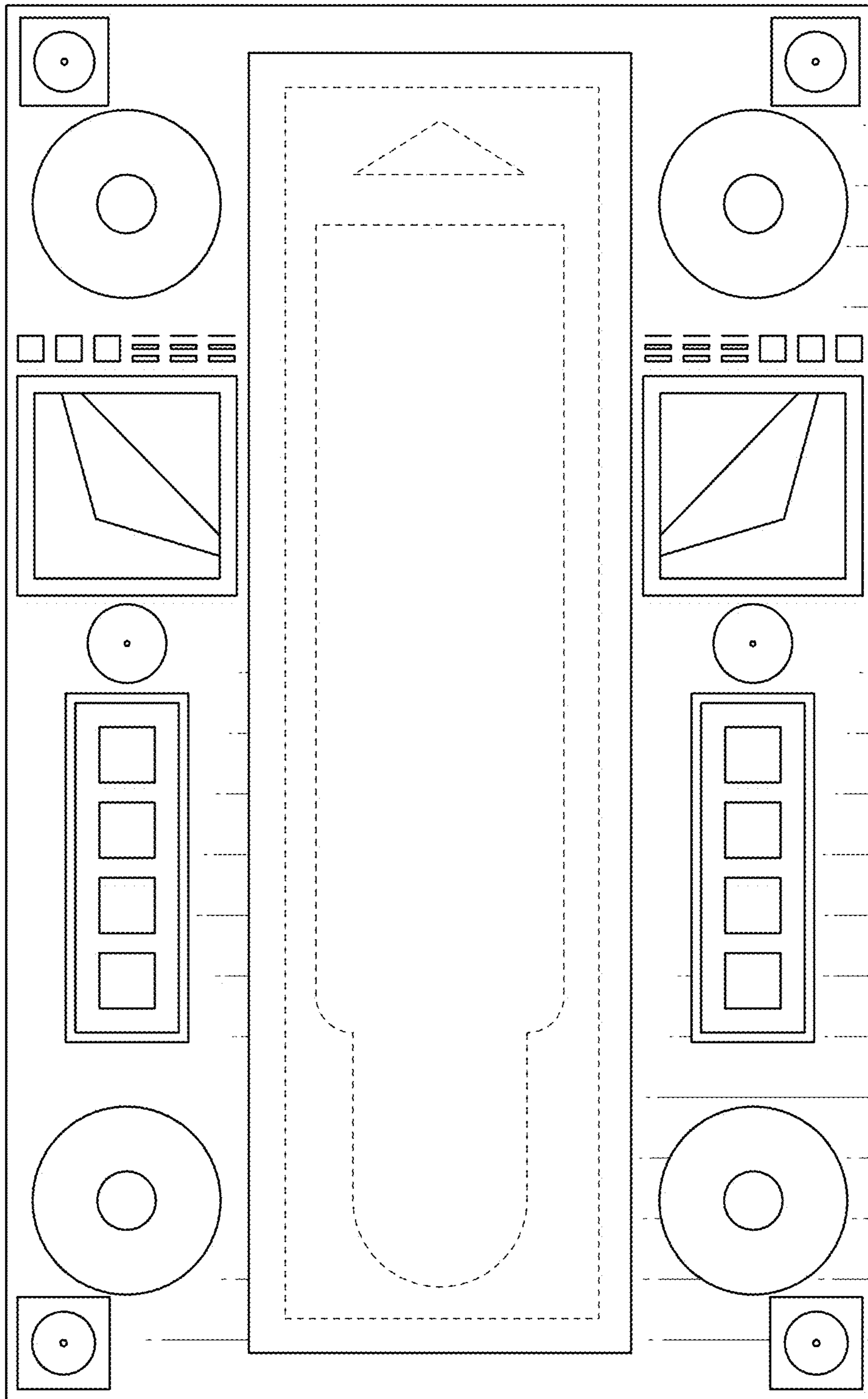


FIG. 3

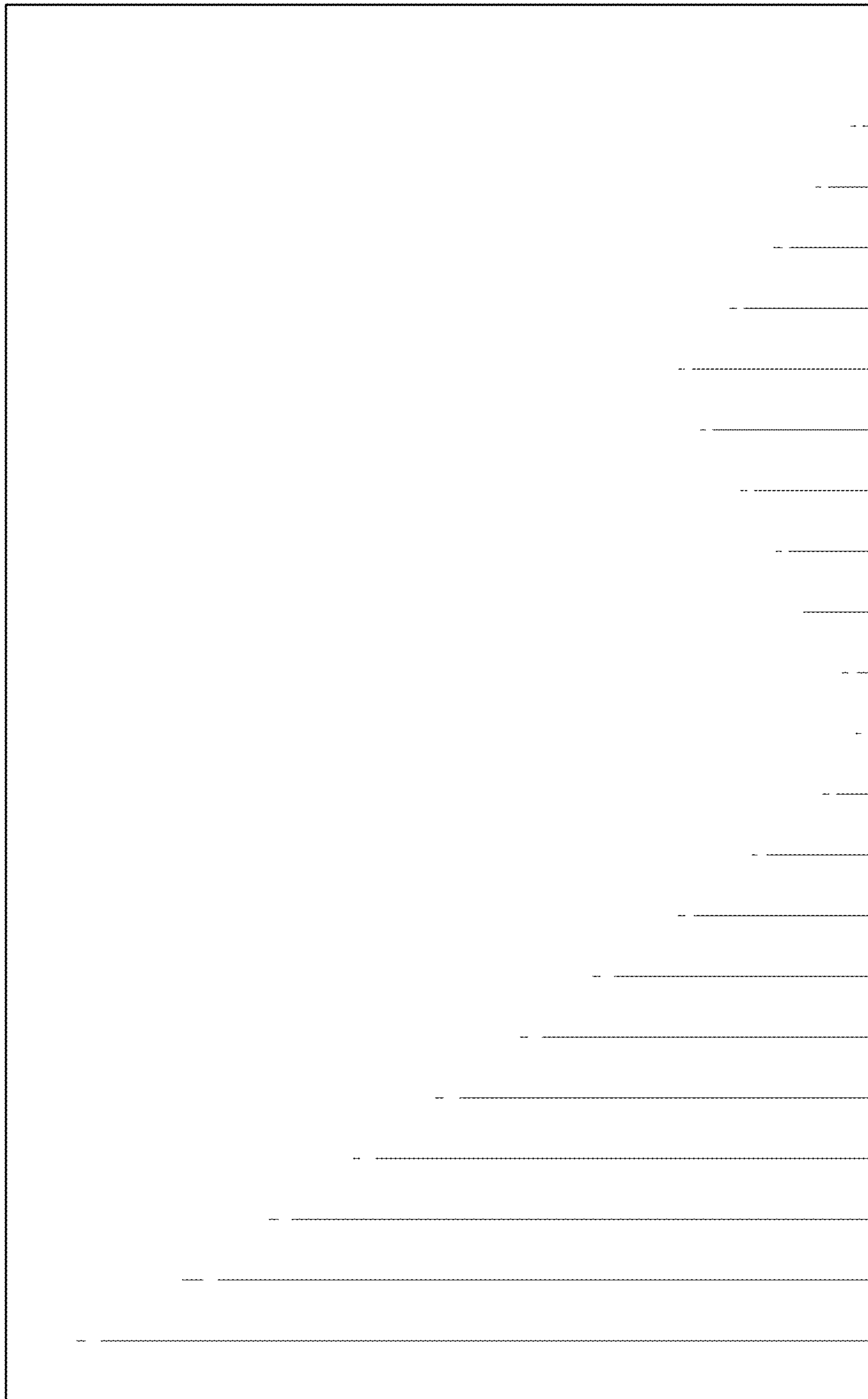


FIG. 4

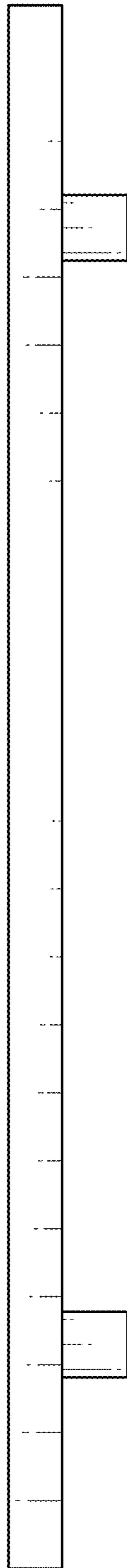


FIG. 5



FIG. 6

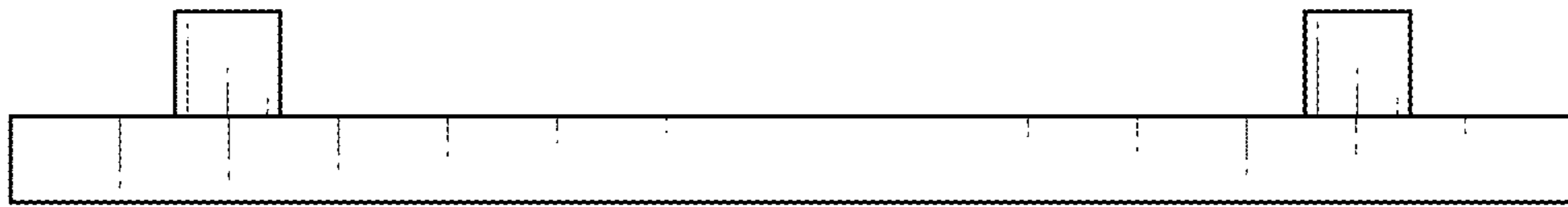


FIG. 7

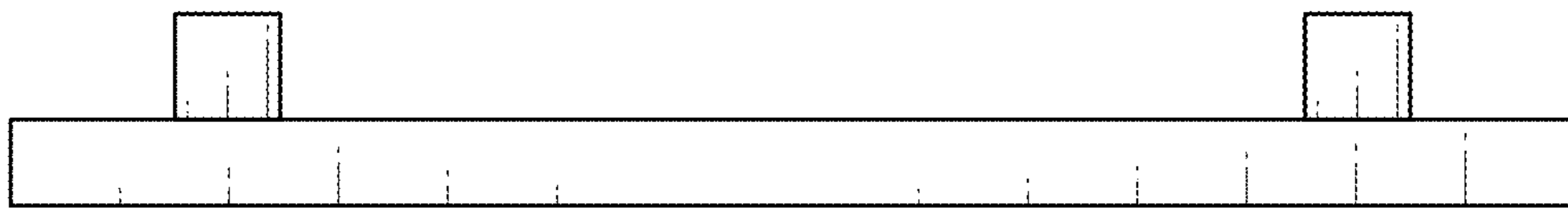


FIG. 8

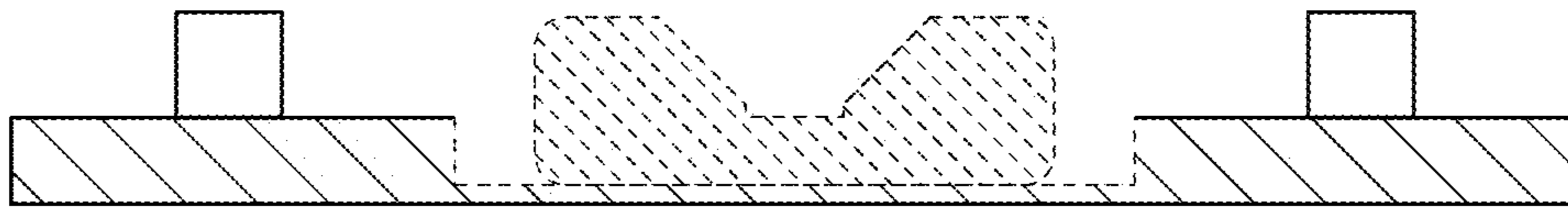


FIG. 9

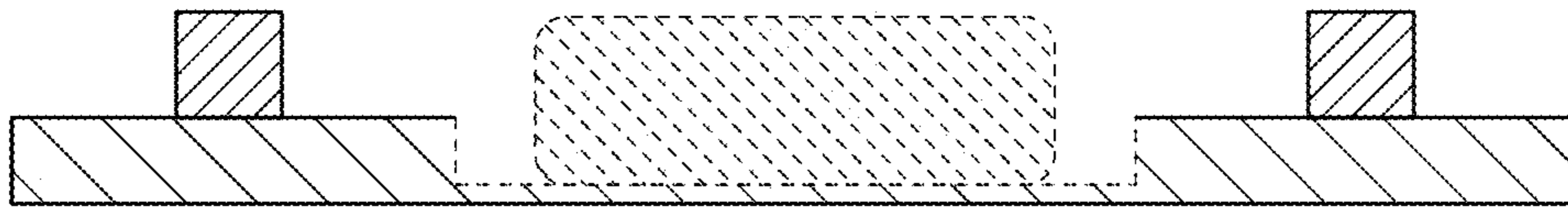


FIG. 10

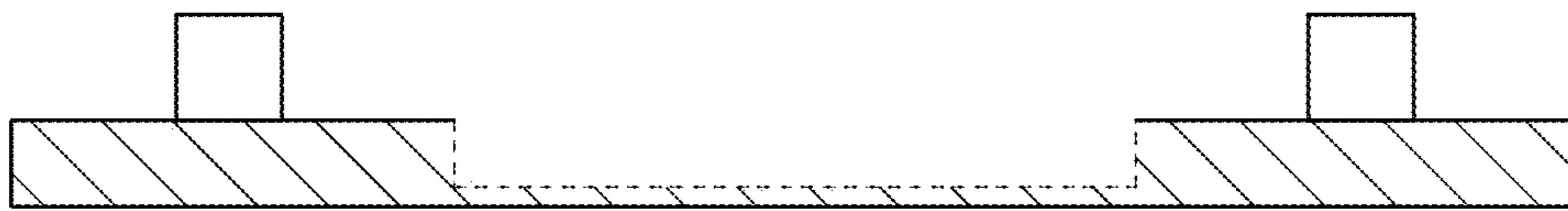


FIG. 11

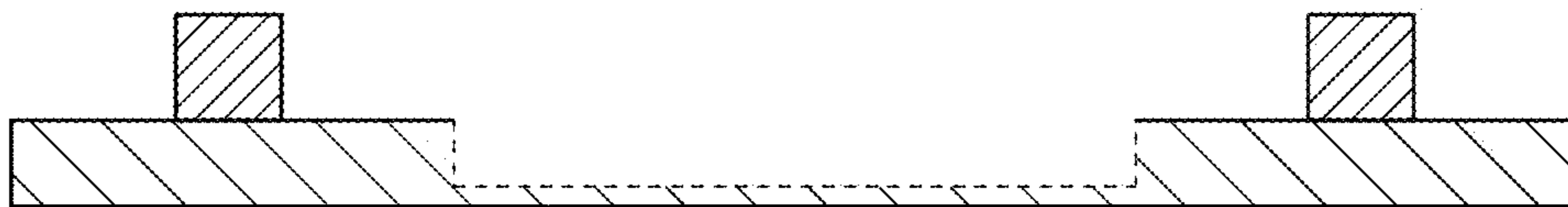


FIG. 12