



US00D970031S

(12) **United States Design Patent**  
**Yang**

(10) **Patent No.:** **US D970,031 S**

(45) **Date of Patent:** **\*\* Nov. 15, 2022**

(54) **NECK MASSAGER**

D870,907 S \* 12/2019 Cheng ..... D24/211  
D884,204 S \* 5/2020 Kramer ..... D24/211  
D916,300 S \* 4/2021 Fearis ..... D24/200

(71) Applicant: **Jingqiao Yang**, Guangdong (CN)

(72) Inventor: **Jingqiao Yang**, Guangdong (CN)

(\*\*) Term: **15 Years**

(21) Appl. No.: **29/779,698**

(22) Filed: **Apr. 20, 2021**

(51) **LOC (13) Cl.** ..... **28-03**

(52) **U.S. Cl.**  
USPC ..... **D24/215**

(58) **Field of Classification Search**  
USPC ..... D24/191, 200, 211, 212, 213, 214, 215  
CPC ..... A61H 2205/04; A61H 7/007; A61H  
2201/1609; A61H 2205/062; A61H  
2201/0207

See application file for complete search history.

(56) **References Cited**

**U.S. PATENT DOCUMENTS**

D378,134 S \* 2/1997 Kuan ..... D24/200  
6,241,693 B1 \* 6/2001 Lambden ..... A61H 15/0092  
601/129  
D452,572 S \* 12/2001 Nakamura ..... D24/214  
6,988,997 B2 \* 1/2006 Stultz ..... A61H 7/003  
601/135  
D613,416 S \* 4/2010 Schupman ..... D24/200  
D833,634 S \* 11/2018 Kramer ..... D24/211  
D844,802 S \* 4/2019 Reyes ..... D24/215  
D855,820 S \* 8/2019 Harashima ..... D24/215

**OTHER PUBLICATIONS**

Amazon, "Gideon Neck and Shoulder Self Massage Tool", Date First Available: Jun. 2, 2016. [https://www.amazon.com/GideonTM-Shoulder-Therapeutic-Self-Massage-Adjustable/dp/B01GIPQNA6/ref=cm\\_cr\\_ar\\_p\\_d\\_product\\_top?ie=UTF8](https://www.amazon.com/GideonTM-Shoulder-Therapeutic-Self-Massage-Adjustable/dp/B01GIPQNA6/ref=cm_cr_ar_p_d_product_top?ie=UTF8) (Year: 2016).\*  
Orbit, "Adjustable Neck Massager", Chinese Application No. 201830556703.1. Application Date: Sep. 30, 2018. [www.Orbit.com](http://www.Orbit.com). (Year: 2018).\*

\* cited by examiner

*Primary Examiner* — Michael A Maharajh  
(74) *Attorney, Agent, or Firm* — ScienBiziP, P.C.

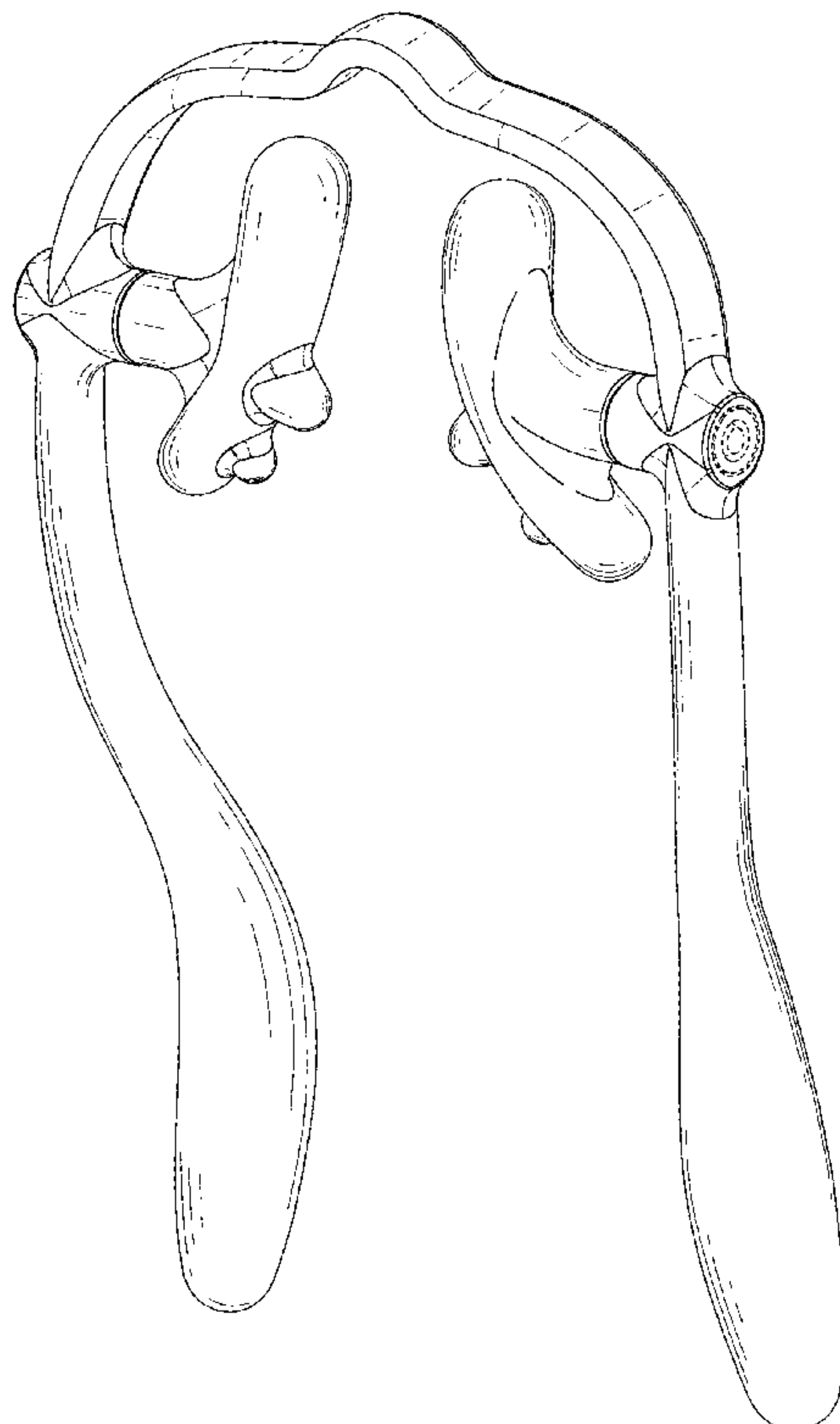
(57) **CLAIM**

The ornamental design for a neck massager, as shown and described.

**DESCRIPTION**

FIG. 1 is a front, right, and top perspective view of a neck massager, showing my design.  
FIG. 2 is a rear, left, and bottom perspective view thereof.  
FIG. 3 is a front elevation view thereof.  
FIG. 4 is a rear elevation view thereof.  
FIG. 5 is a left side elevation view thereof.  
FIG. 6 is a right side elevation view thereof.  
FIG. 7 is a top plan view thereof; and,  
FIG. 8 is a bottom plan view thereof.  
The broken lines shown in the drawings are included for the purpose of illustrating portions of the neck massager that form no part of the claimed design.

**1 Claim, 8 Drawing Sheets**



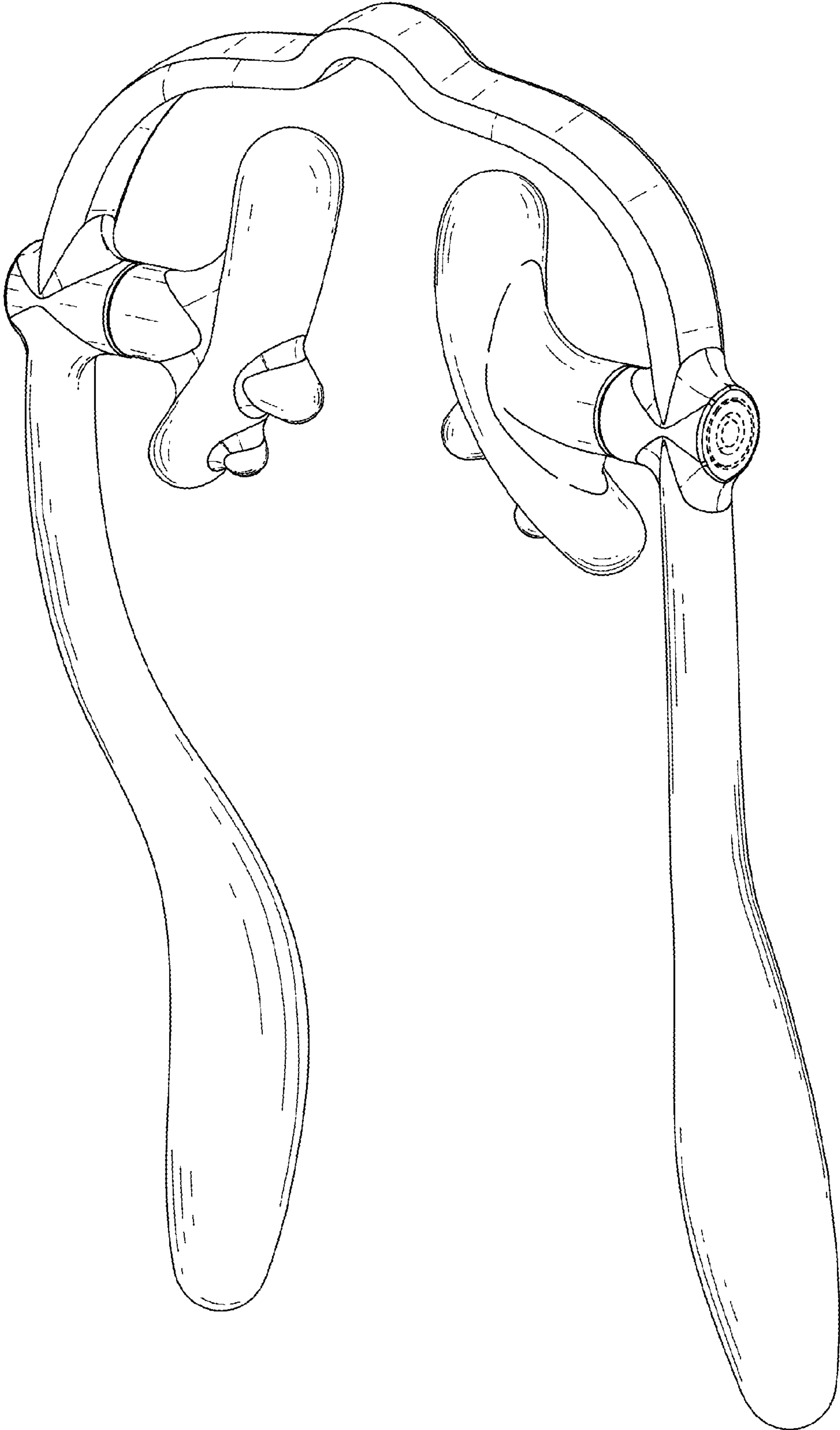


FIG.1

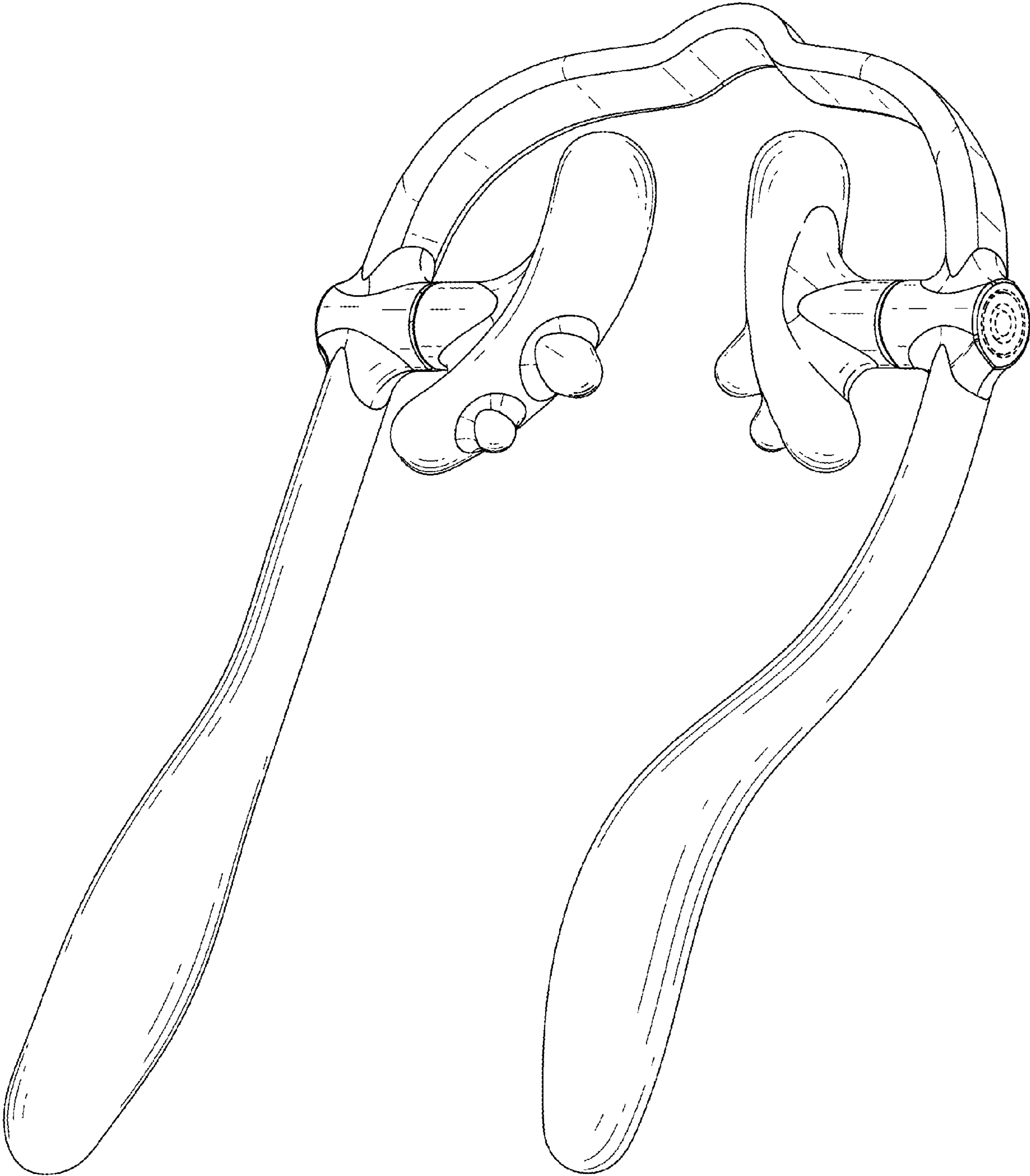


FIG. 2

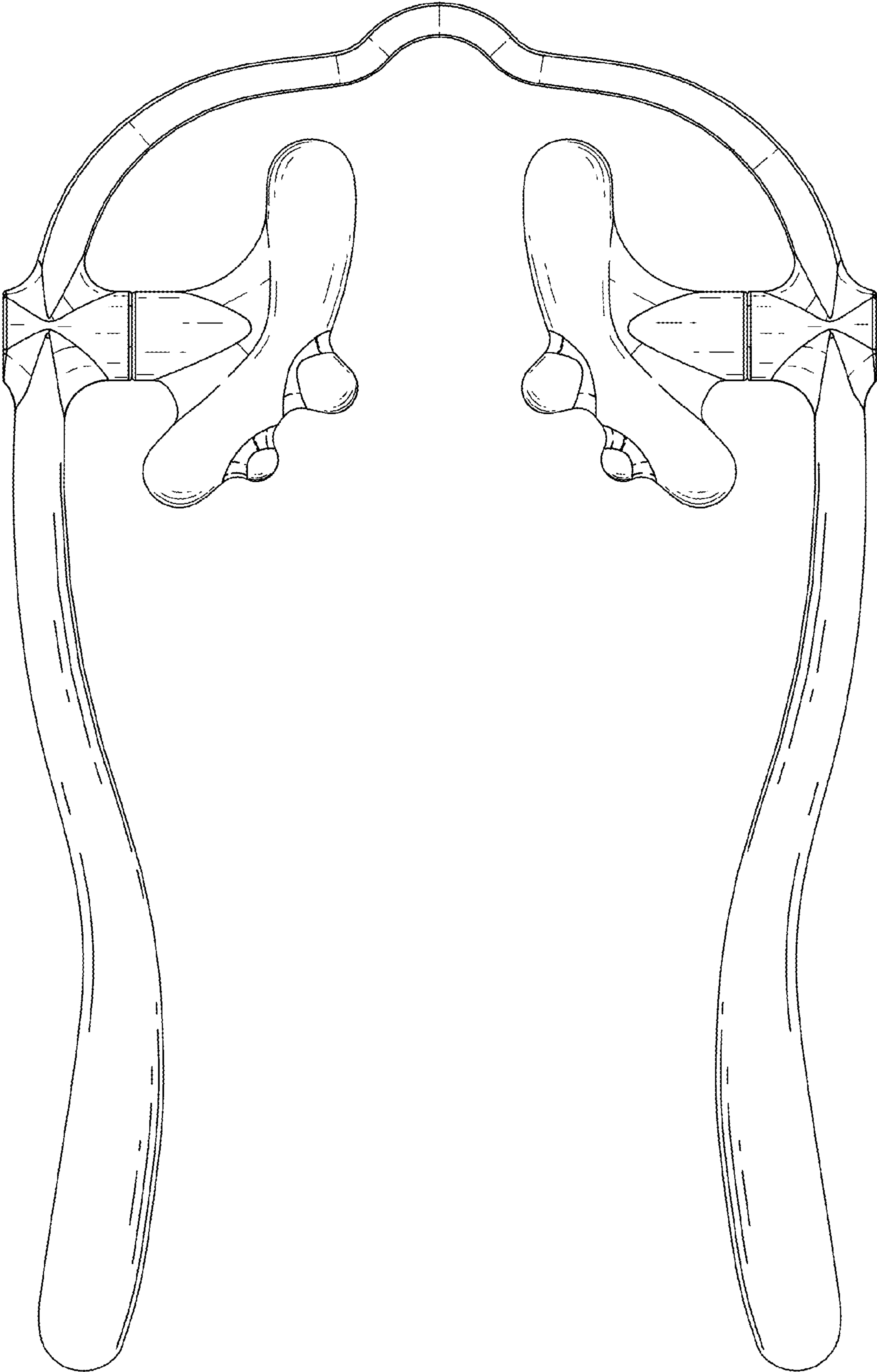


FIG. 3



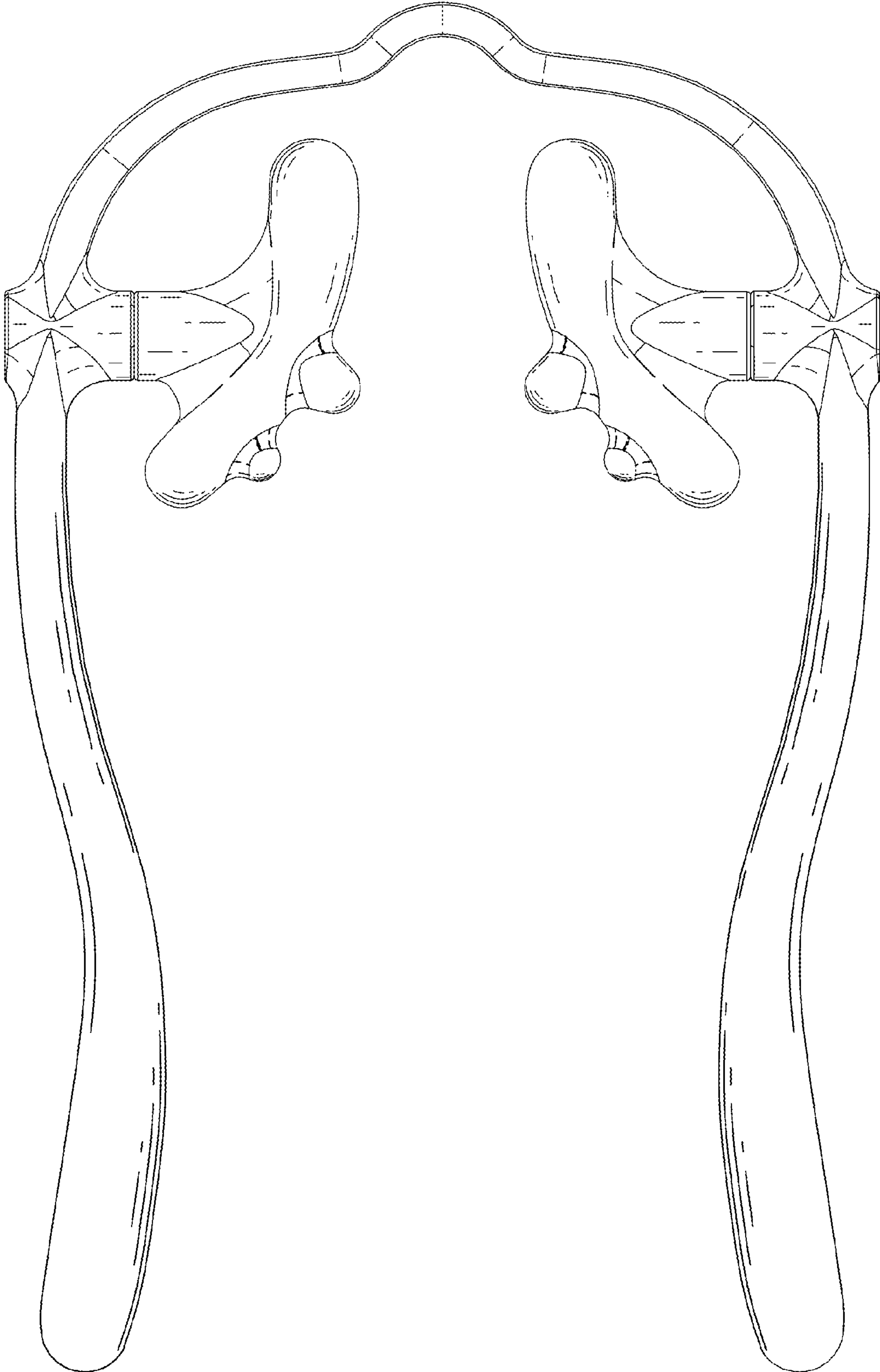


FIG.4

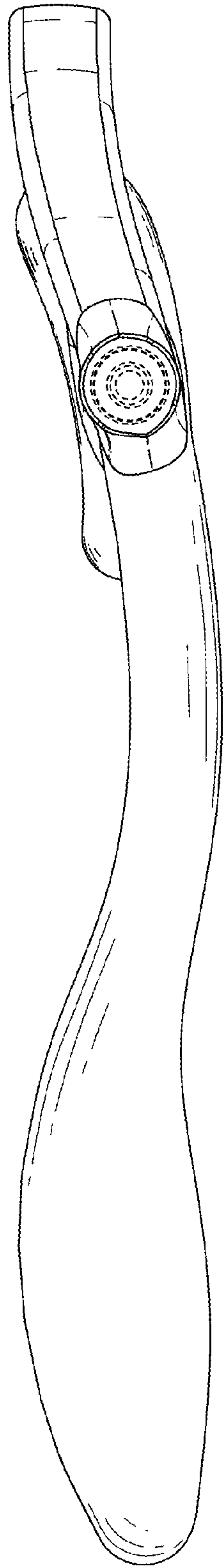


FIG. 5



FIG.6

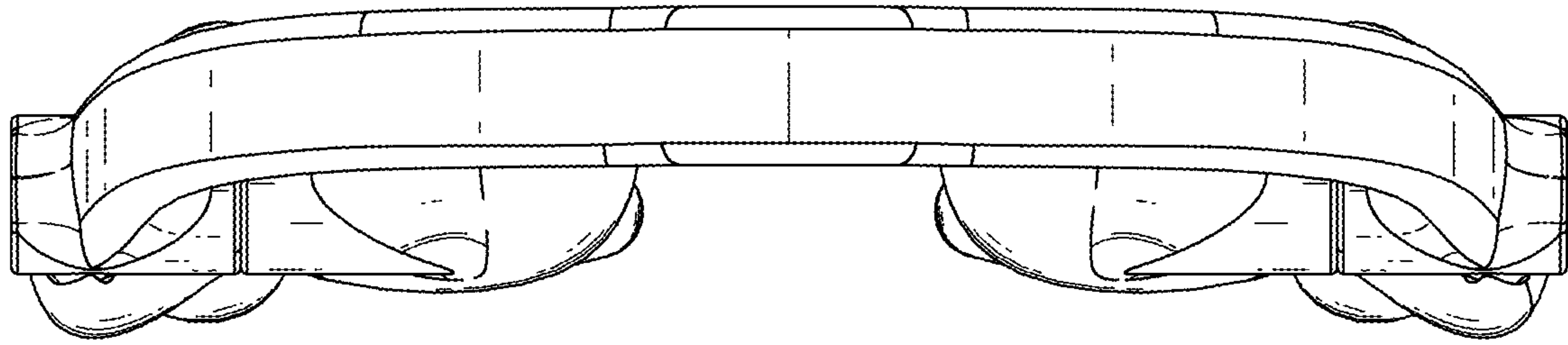


FIG. 7



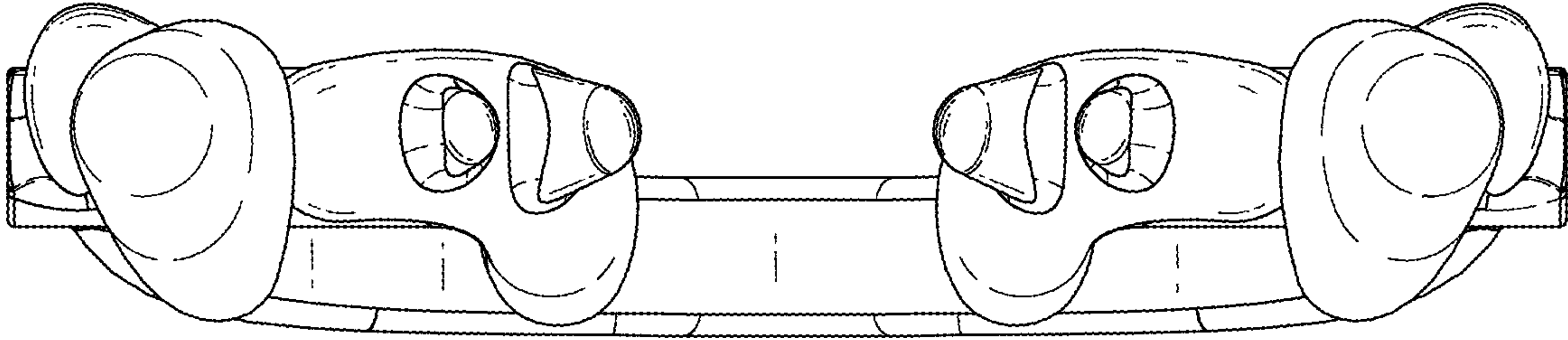


FIG. 8