



US00D970030S

(12) **United States Design Patent**  
**Zheng**

(10) **Patent No.:** **US D970,030 S**

(45) **Date of Patent:** **\*\* Nov. 15, 2022**

(54) **MASSAGER**

(71) Applicant: **SHENZHEN FLYSHINE TECHNOLOGY CO., LTD**, Shenzhen (CN)

(72) Inventor: **Yong Zheng**, Shenzhen (CN)

(73) Assignee: **SHENZHEN FLYSHINE TECHNOLOGY CO., LTD**, Shenzhen (CN)

(\*\*) Term: **15 Years**

(21) Appl. No.: **29/778,304**

(22) Filed: **Apr. 12, 2021**

(30) **Foreign Application Priority Data**

Oct. 14, 2020 (EM) ..... 008202808-0001

(51) **LOC (13) Cl.** ..... **28-03**

(52) **U.S. Cl.**  
USPC ..... **D24/215**

(58) **Field of Classification Search**  
USPC ..... D24/200, 211, 212, 213, 214, 215;  
D8/14.1; D28/13

CPC ..... A61H 15/02; A61H 1/008; A61H 2201/1635; A61H 1/006; A61H 15/00  
See application file for complete search history.

(56) **References Cited**

**U.S. PATENT DOCUMENTS**

D895,831 S *	9/2020	Chen	.....	D24/215
D912,267 S *	3/2021	Tang	.....	D24/215
D913,517 S *	3/2021	Yu	.....	D24/215
D923,188 S *	6/2021	Xu	.....	D24/211
D928,338 S *	8/2021	Hu	.....	D24/215
D931,481 S *	9/2021	Li	.....	D24/211
D932,039 S *	9/2021	Yu	.....	D24/215

D934,441 S *	10/2021	Zhang	.....	D24/215
D935,636 S *	11/2021	Luo	.....	D24/215
D935,637 S *	11/2021	Li	.....	D24/215
D945,007 S *	3/2022	Liu	.....	D24/215
D948,068 S *	4/2022	Xu	.....	D24/215
D949,379 S *	4/2022	Xu	.....	D24/215
D950,087 S *	4/2022	Shu	.....	D24/215
D958,392 S *	7/2022	Meng	.....	D24/215

**OTHER PUBLICATIONS**

Amazon.ca, "Massage Gun", Date First Available: Nov. 1, 2021. [https://www.amazon.ca/Massager-Electric-Handheld-Cordless-Massagers/dp/B09KRJFKKC/ref=cm\\_cr\\_arp\\_d\\_product\\_top?ie=UTF8](https://www.amazon.ca/Massager-Electric-Handheld-Cordless-Massagers/dp/B09KRJFKKC/ref=cm_cr_arp_d_product_top?ie=UTF8) (Year: 2021).\*

Amazon, "Massage Gun Portable Massager", Date First Available: Oct. 21, 2021. <https://www.amazon.com/Massage-Portable-Massager-Relief-Storage/dp/B09C1V5NGC> (Year: 2021).\*

\* cited by examiner

*Primary Examiner* — Michael A Maharajh

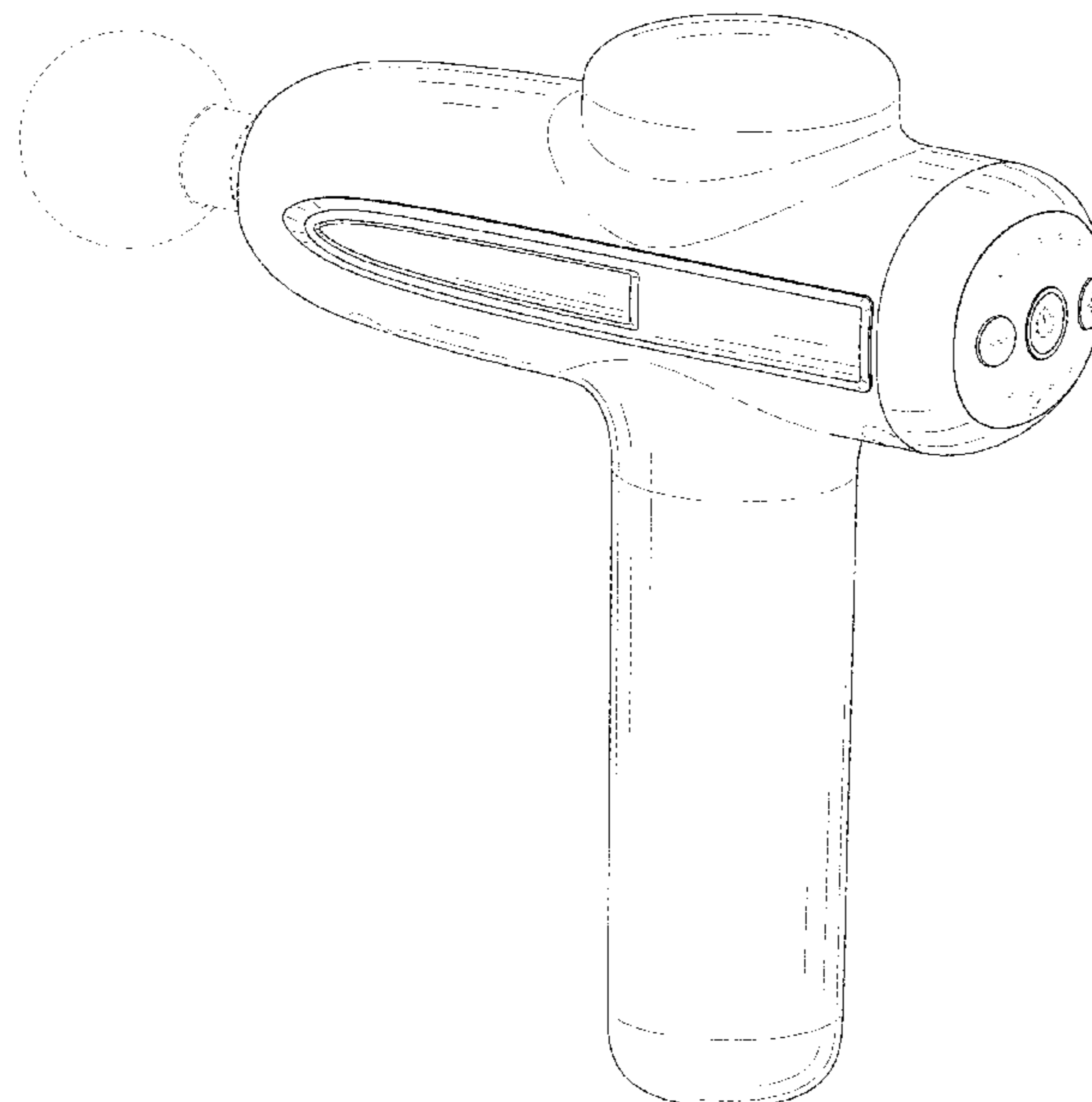
(57) **CLAIM**

The ornamental design for a massager, as shown and described.

**DESCRIPTION**

FIG. 1 is a perspective view of a massager showing my new design;  
FIG. 2 is another perspective view thereof;  
FIG. 3 is a front elevational view thereof;  
FIG. 4 is a rear elevational view thereof;  
FIG. 5 is a left side elevational view thereof;  
FIG. 6 is a right side elevational view thereof;  
FIG. 7 is a top plan view thereof; and,  
FIG. 8 is a bottom plan view thereof.  
The broken lines in the drawings depict portions of the massager that form no part of the claimed design.

**1 Claim, 8 Drawing Sheets**



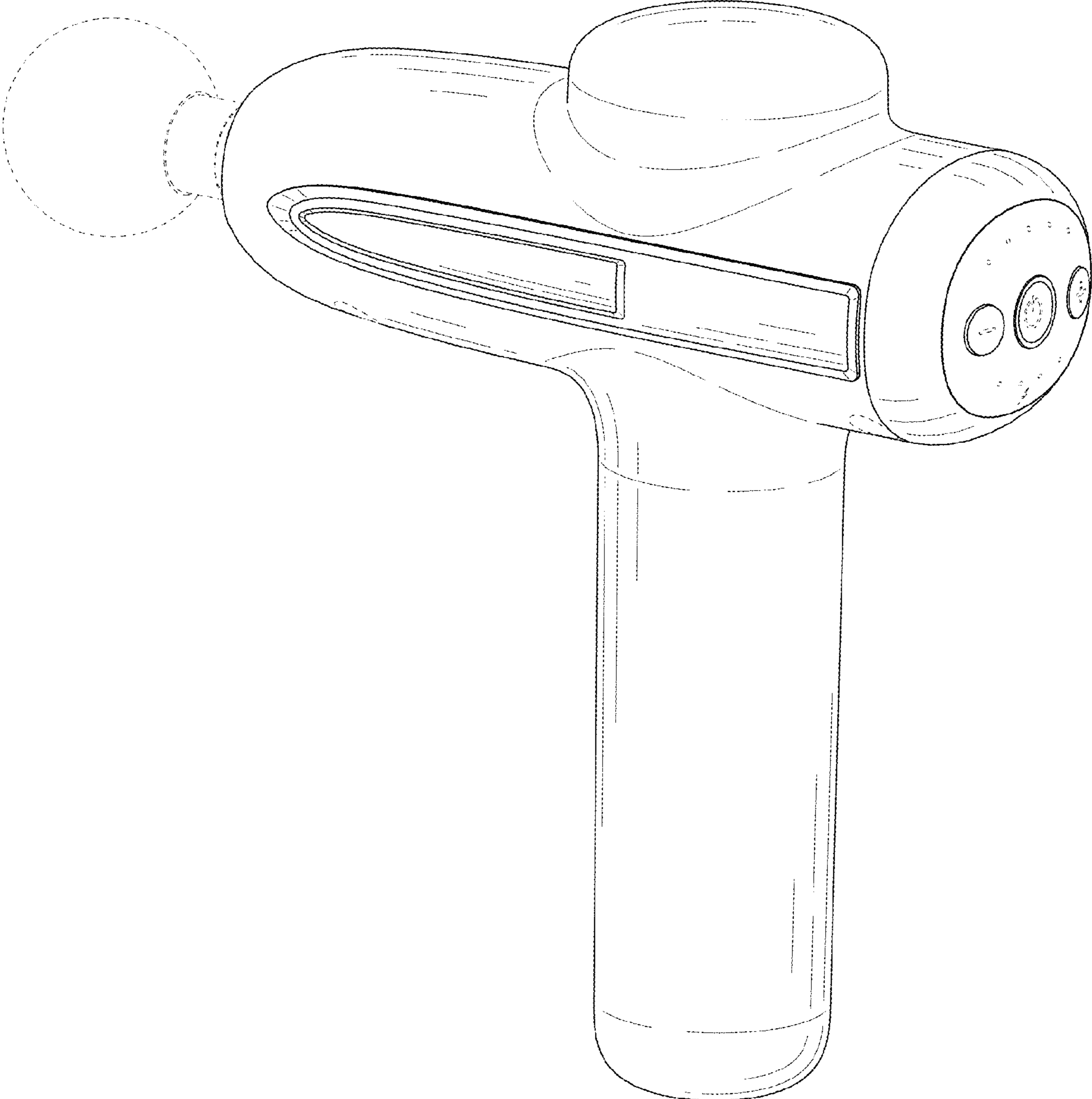


FIG. 1

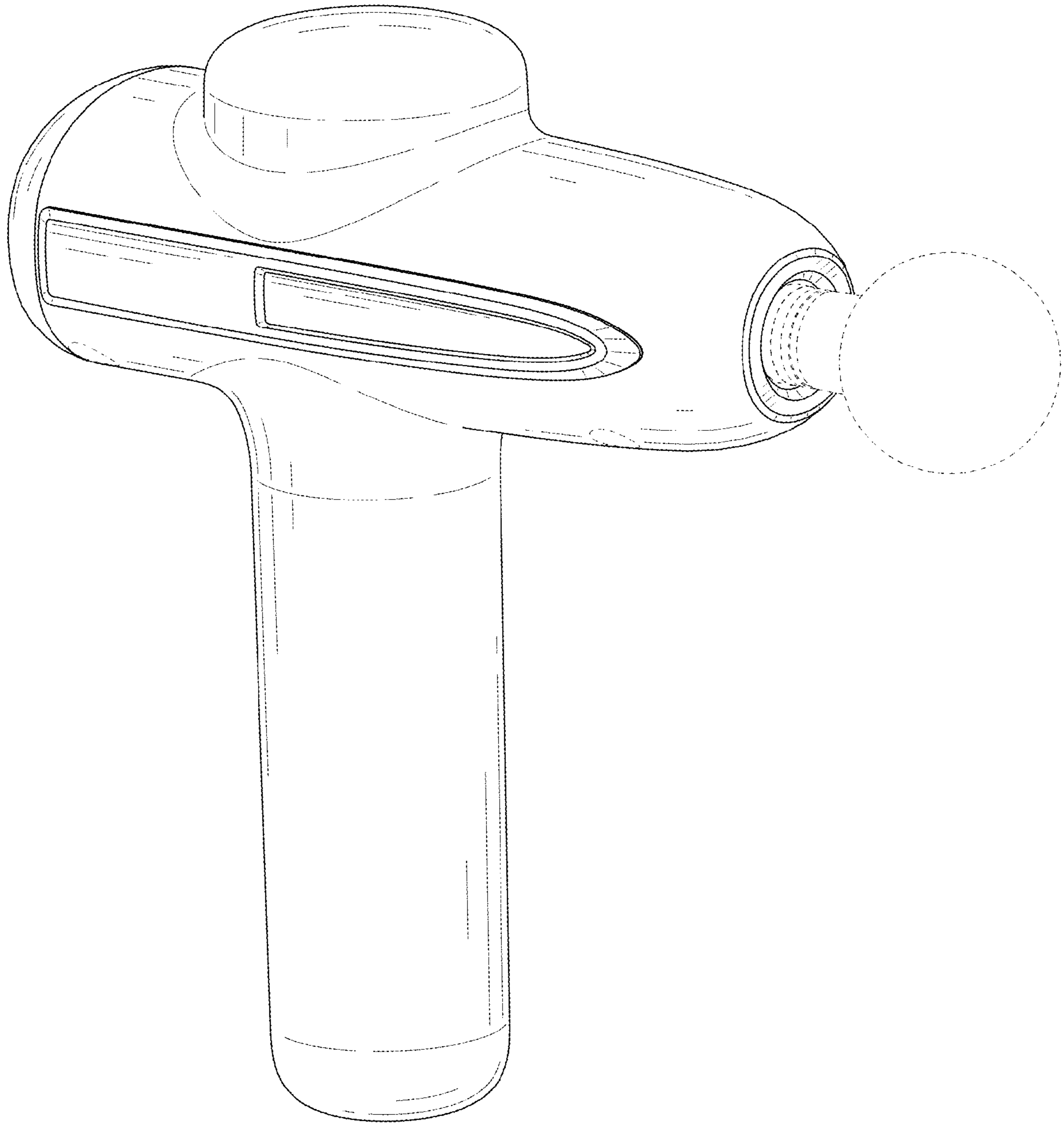


FIG. 2

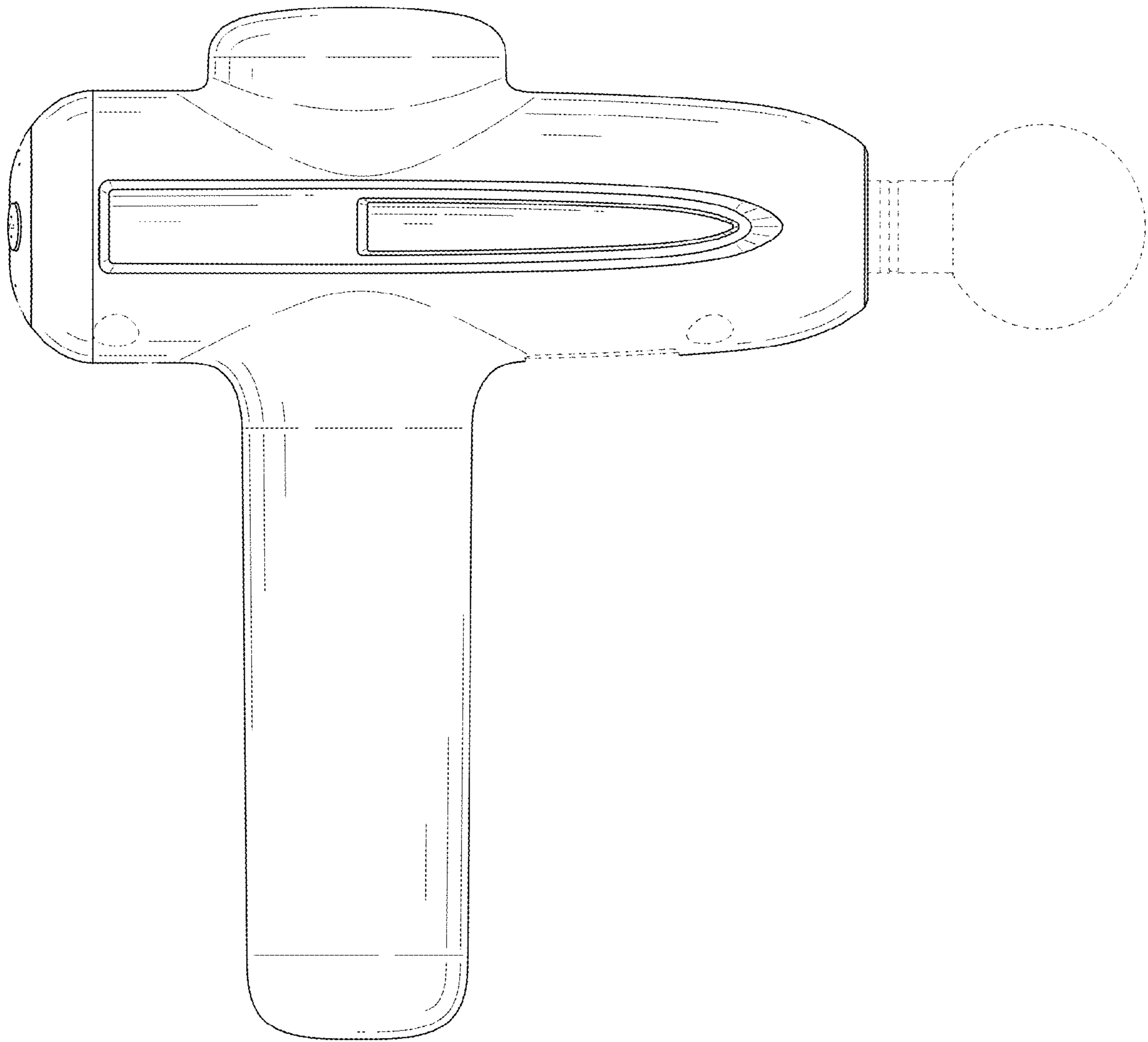


FIG. 3

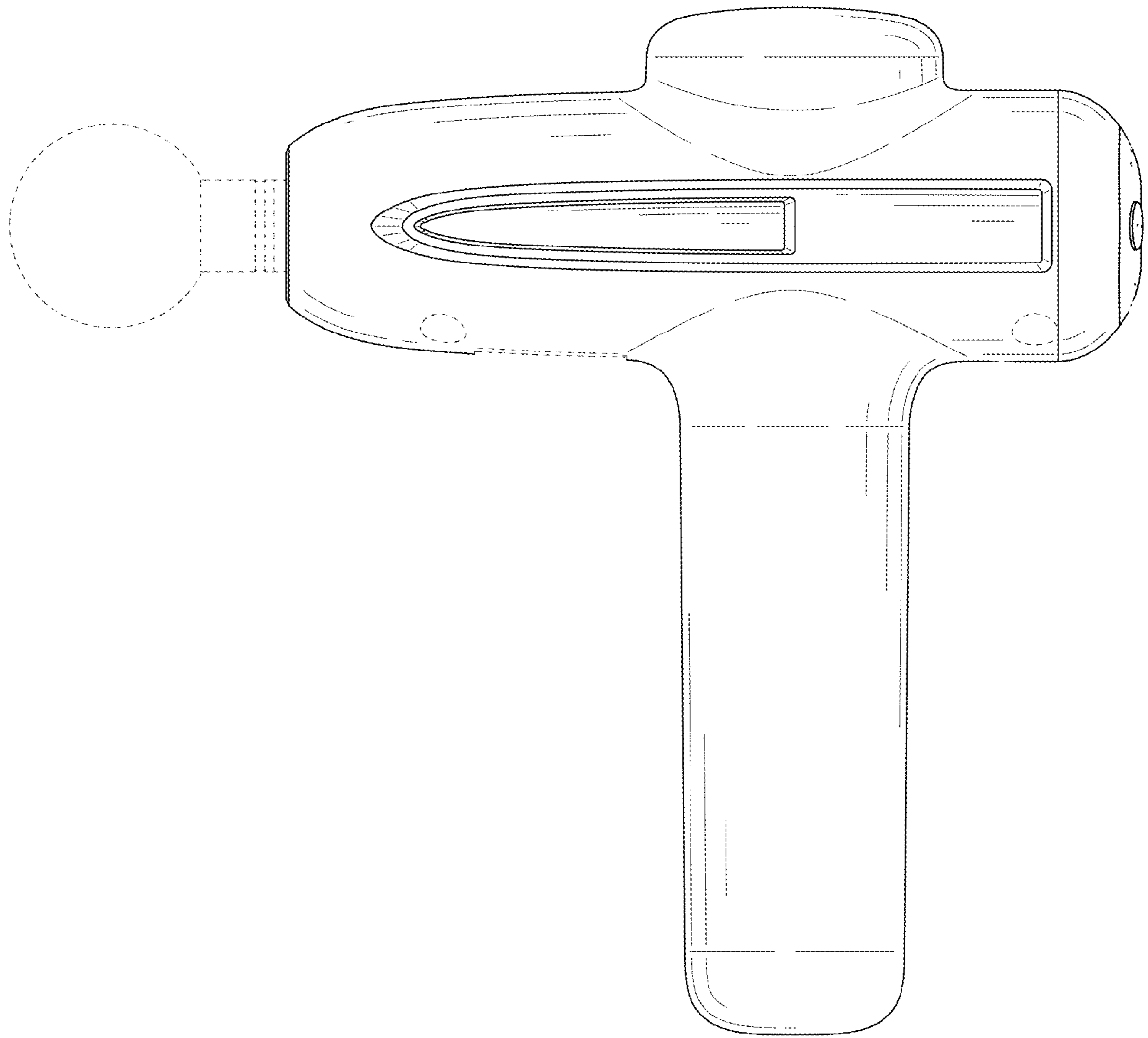


FIG. 4

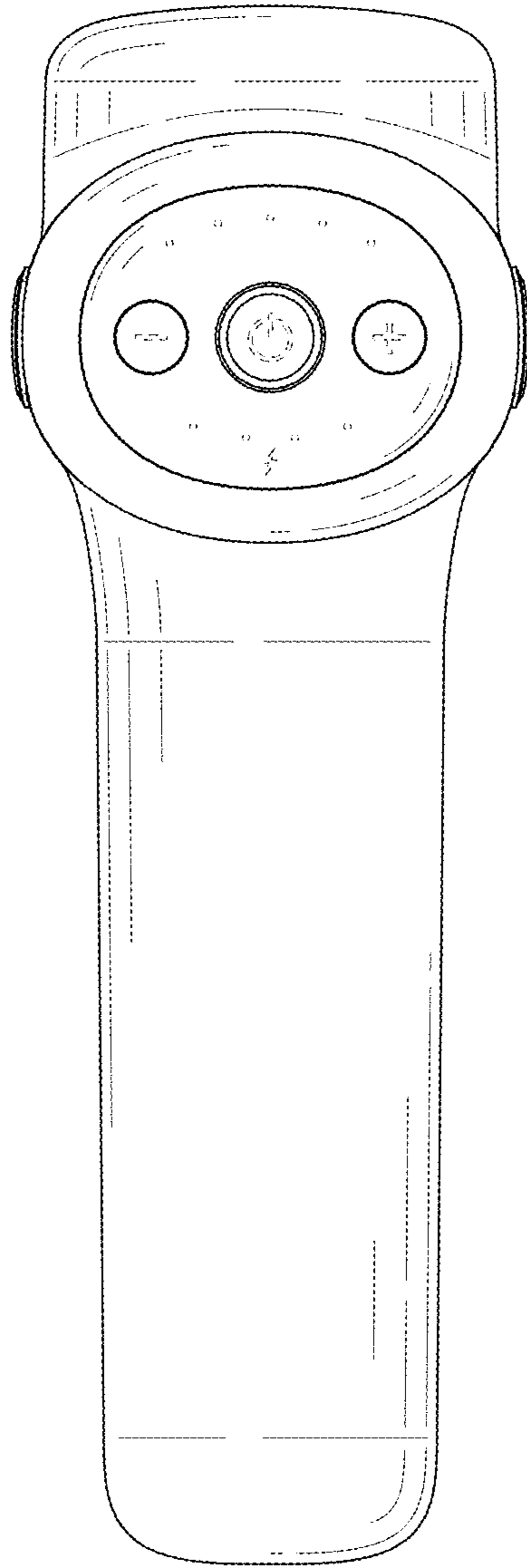


FIG. 5

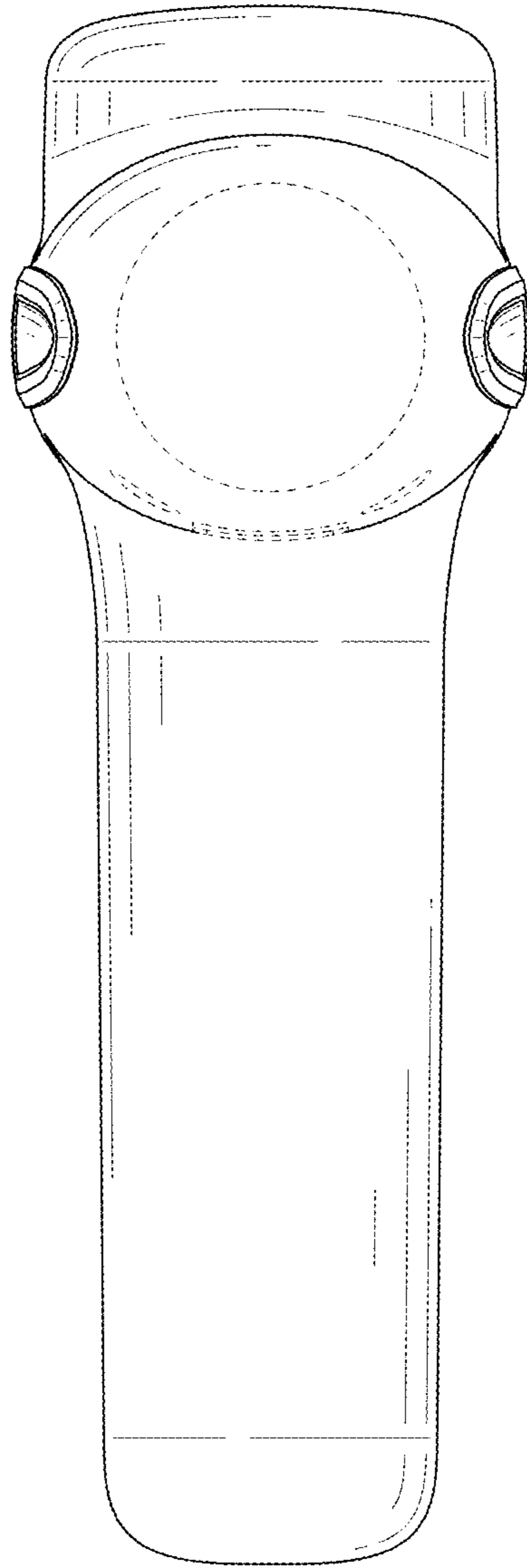


FIG. 6

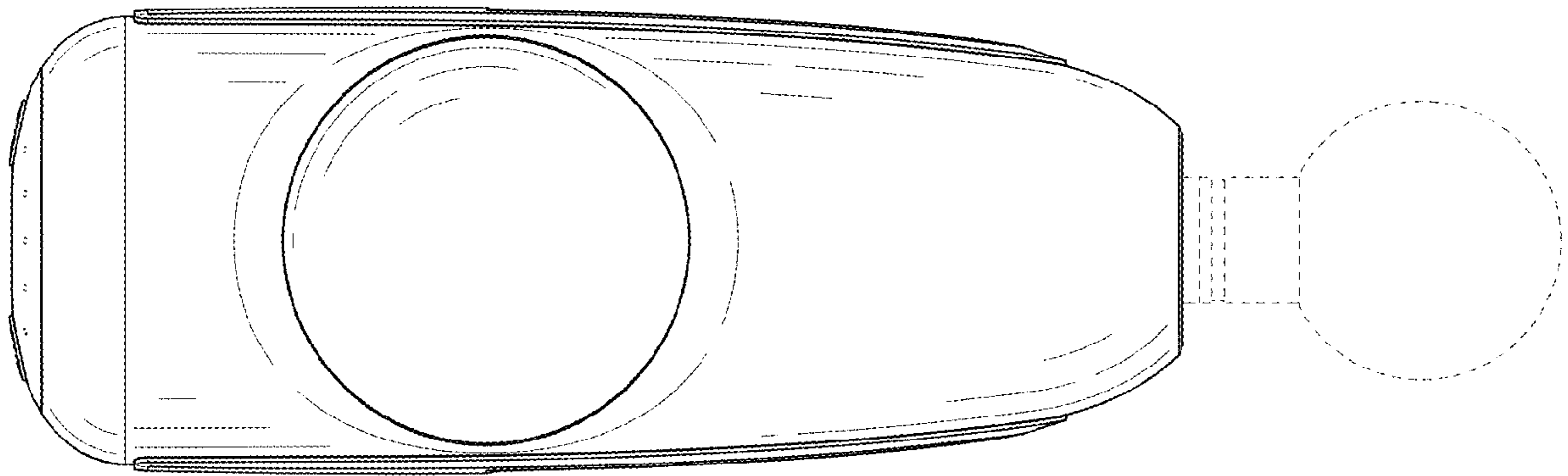


FIG. 7



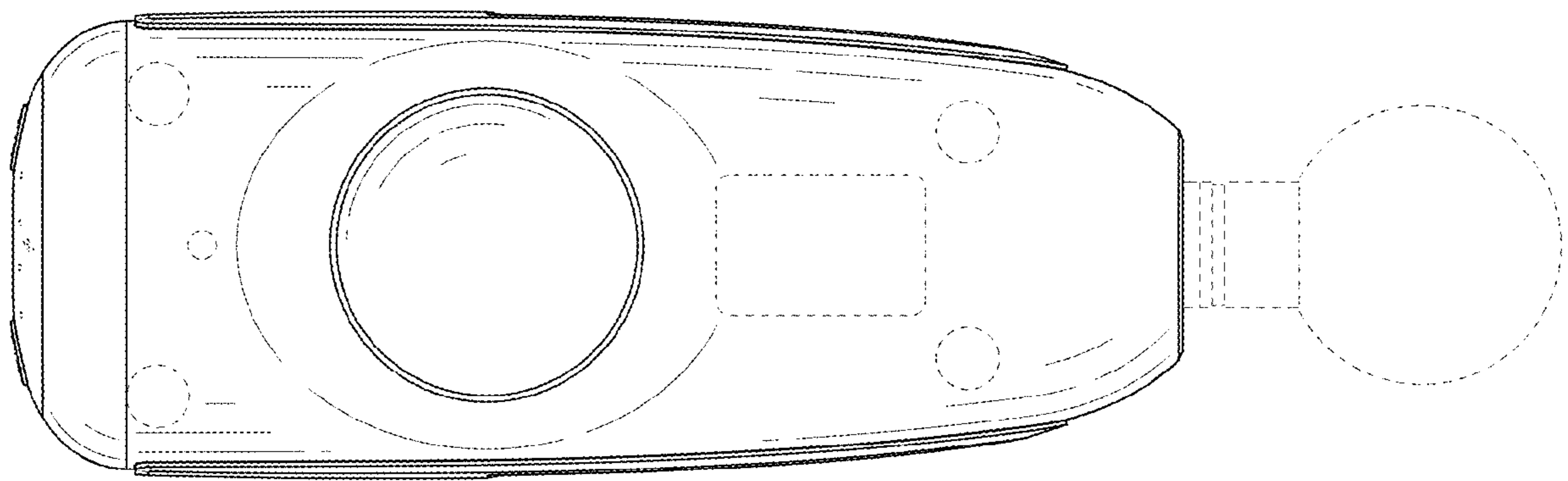


FIG. 8