



US00D970028S

(12) **United States Design Patent**  
**Cheng**

(10) **Patent No.:** **US D970,028 S**

(45) **Date of Patent:** **\*\* Nov. 15, 2022**

(54) **MESSAGE GUN**

(71) Applicant: **Guomei Cheng**, Jiangsu (CN)

(72) Inventor: **Guomei Cheng**, Jiangsu (CN)

(73) Assignee: **Nanjing Yunkai Machinery Co., Ltd.**,  
Nanjing (CN)

(\*\*) Term: **15 Years**

(21) Appl. No.: **29/747,130**

(22) Filed: **Aug. 20, 2020**

(51) **LOC (13) Cl.** ..... **28-03**

(52) **U.S. Cl.**

USPC ..... **D24/215**

(58) **Field of Classification Search**

USPC ..... D24/215, 200, 211, 212, 213, 214, 133,  
D24/107, 231, 184; D8/14.1, 61;  
D28/12, 13; D21/680, 682

CPC ..... A61H 15/00; A61H 2015/0007; A61H  
2015/0042; A61H 15/0092; A61H  
15/0078; A61H 15/0085; A61H 23/00;  
A61H 23/006; A61H 2023/002; A61H  
23/02; A61H 2201/0153; A61H 7/00;  
A61H 7/003; A61H 7/004; A61H 7/005;  
A61H 9/00; A61H 2205/06

See application file for complete search history.

(56) **References Cited**

**U.S. PATENT DOCUMENTS**

D715,177 S \* 10/2014 Vaughan ..... D11/81  
D799,975 S \* 10/2017 Anvaripour ..... D9/535  
D811,019 S \* 2/2018 Alton ..... D21/681  
D866,790 S \* 11/2019 Lee ..... D24/215  
D872,869 S \* 1/2020 Lu ..... D24/215  
D877,824 S \* 3/2020 Chiang ..... D21/680

D895,831 S \* 9/2020 Chen ..... D24/215  
D906,529 S \* 12/2020 Metcalf ..... D24/214  
D912,835 S \* 3/2021 Ren ..... D24/200  
2020/0085675 A1\* 3/2020 Lee ..... A61H 1/00  
2021/0000683 A1\* 1/2021 Cheng ..... A61H 23/0254  
2021/0196563 A1\* 7/2021 Sheng ..... H01M 50/507  
2021/0244609 A1\* 8/2021 Lee ..... A61H 23/006

**OTHER PUBLICATIONS**

Theragun Mini—Muscle Treatment Massage Gun. Date: May 4, 2020. [online]. [Site visited Apr. 4, 2022]. Available from Internet URL: <https://www.amazon.com/dp/B086Z6LNVS/> (Year: 2020).  
Massagers. (Design—© Questel) orbit.com. [Online PDF compilation of references] 15 pgs. Print Dates Range Mar. 31, 2020-Apr. 13, 2020 [Retrieved Apr. 4, 2022] <https://www.orbit.com/export/UCZAH96B/pdf4/47be6a00-7370-45fe-9d88-29ab392d6c05-232027.pdf> (Year: 2022).\*

\* cited by examiner

*Primary Examiner* — Susan Bennett Hattan  
*Assistant Examiner* — Landon Thomas Cassell

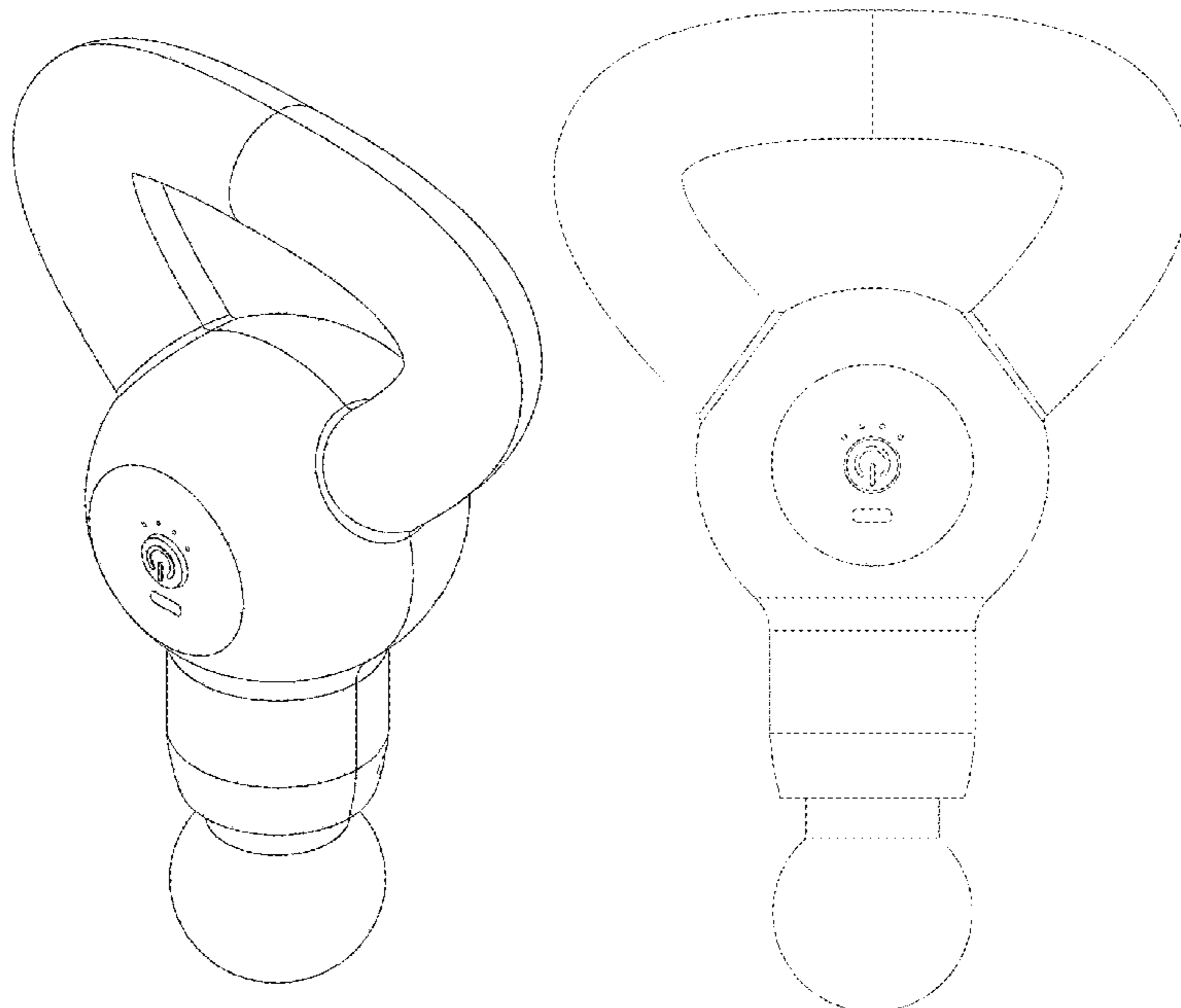
(57) **CLAIM**

The ornamental design for a massage gun, as shown and described.

**DESCRIPTION**

FIG. 1 is a top, front and right side perspective view of a massage gun showing my new design;  
FIG. 2 is a front elevational view thereof;  
FIG. 3 is a rear elevational view thereof;  
FIG. 4 is a right side view thereof, the left side view being a mirror image of the right side view;  
FIG. 5 is a top plan view thereof; and,  
FIG. 6 is a bottom plan view thereof.  
The broken lines in the drawings depict portions of the massage gun that form no part of the claimed design.

**1 Claim, 5 Drawing Sheets**



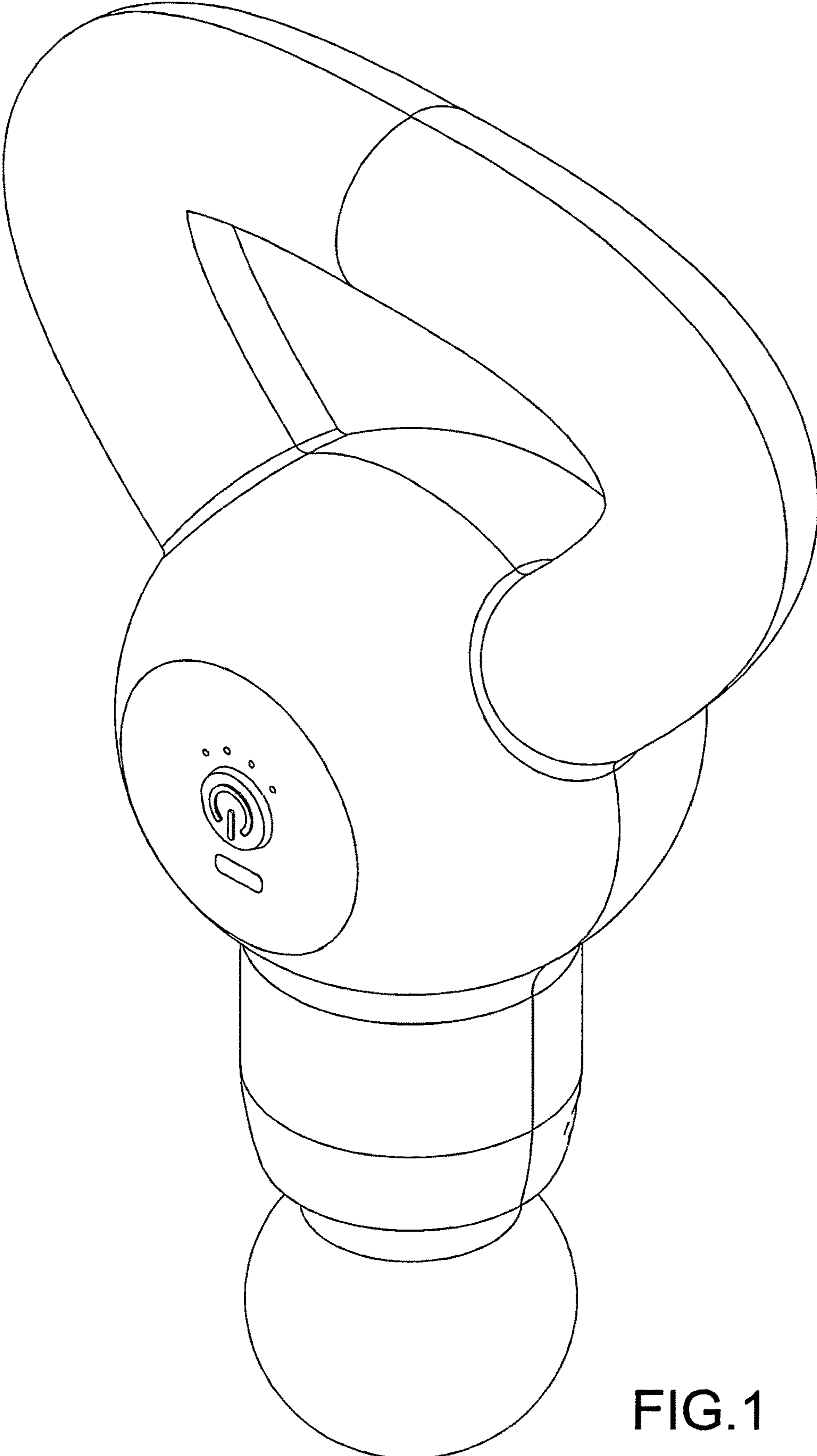


FIG.1

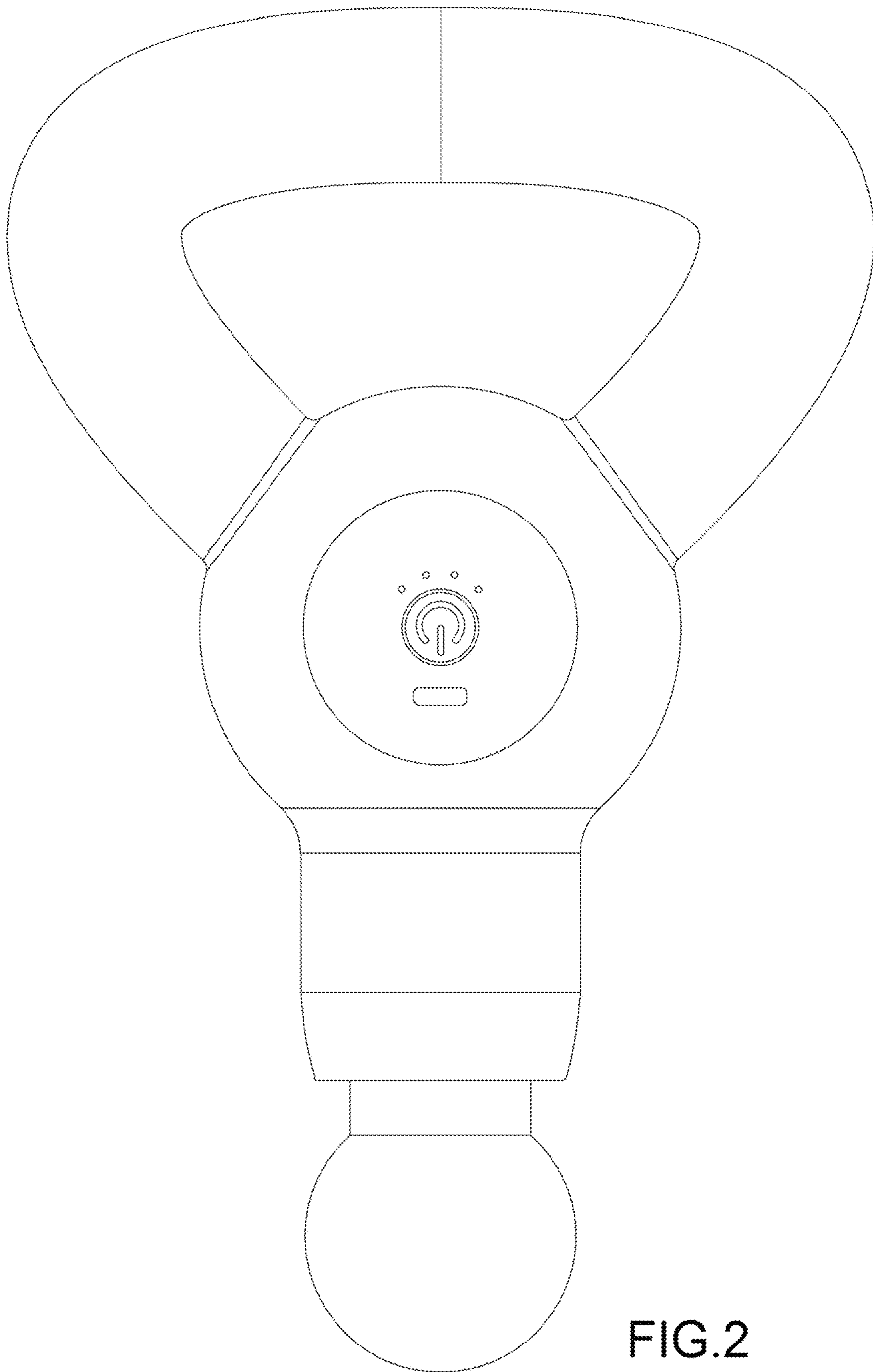


FIG.2

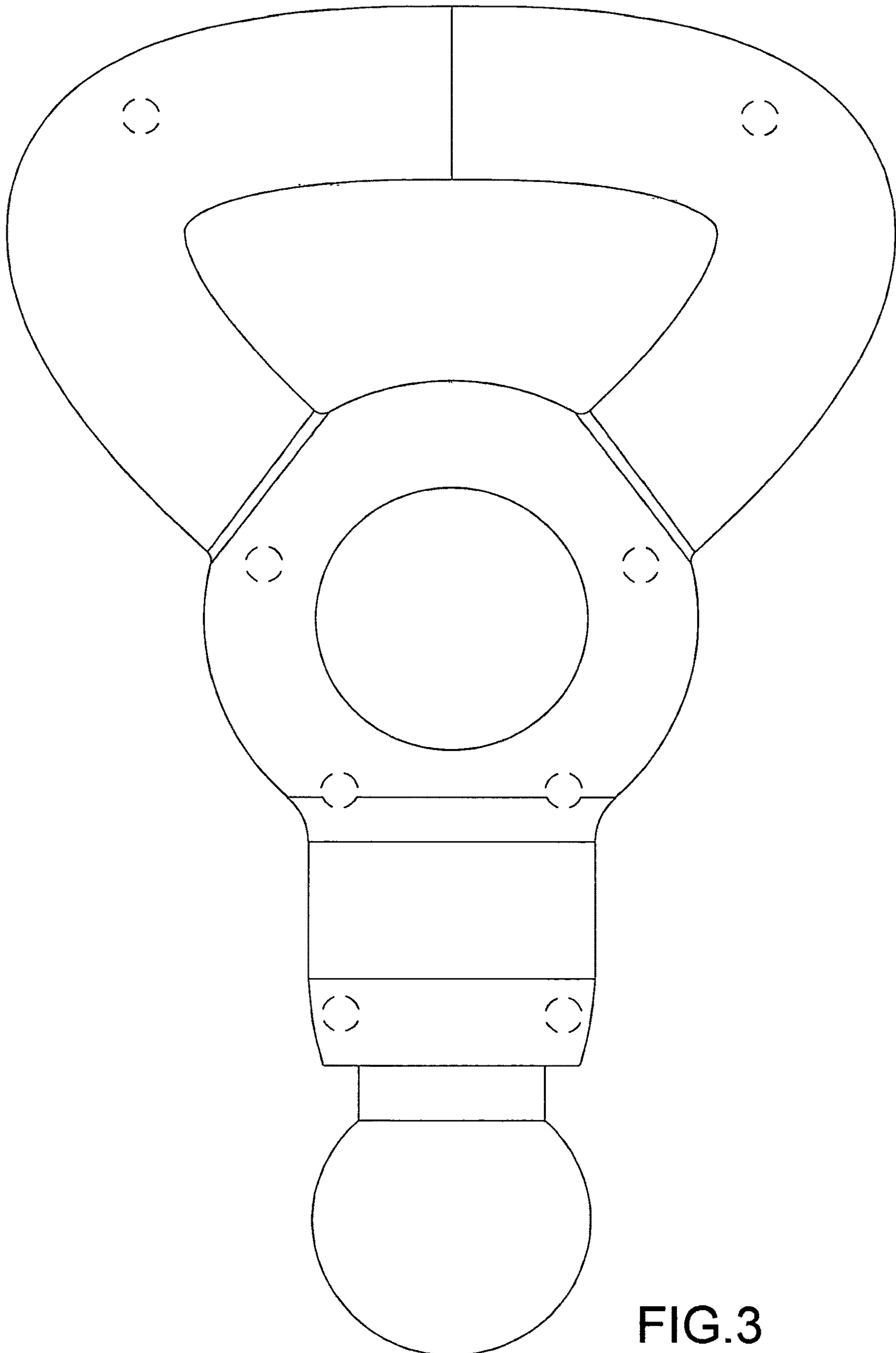


FIG.3

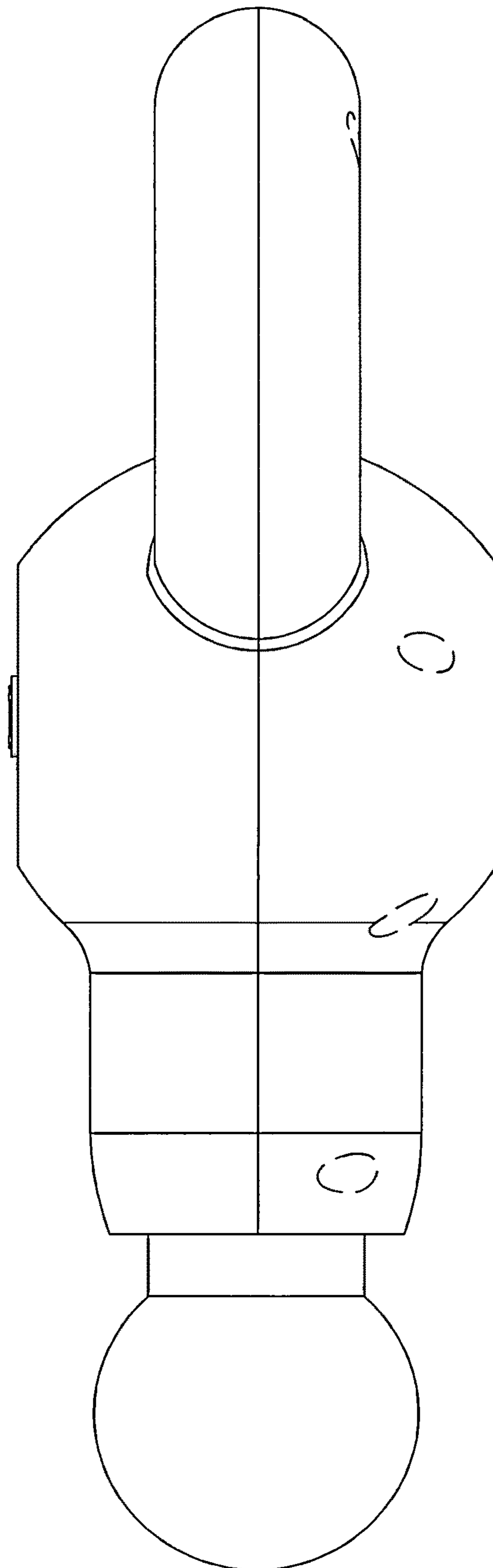


FIG.4

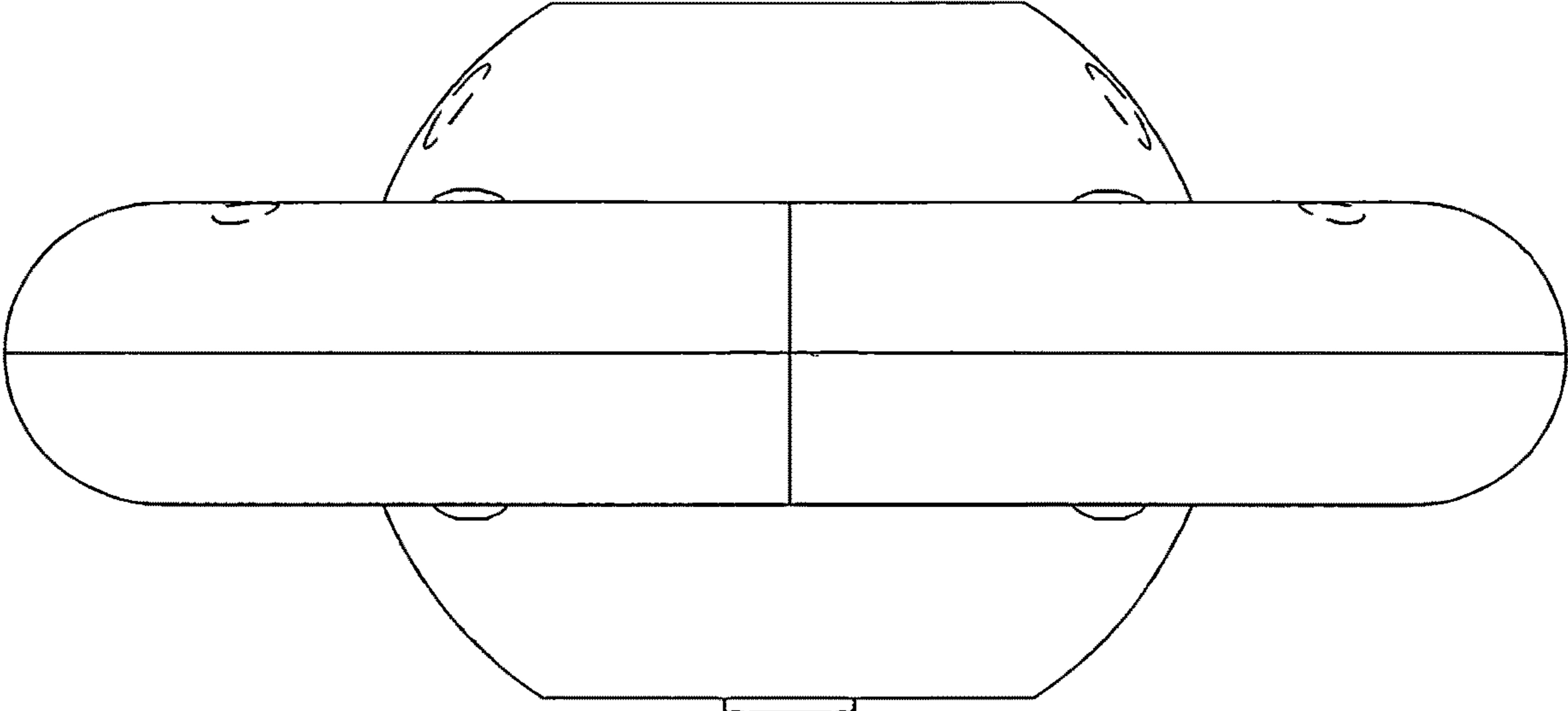


FIG.5

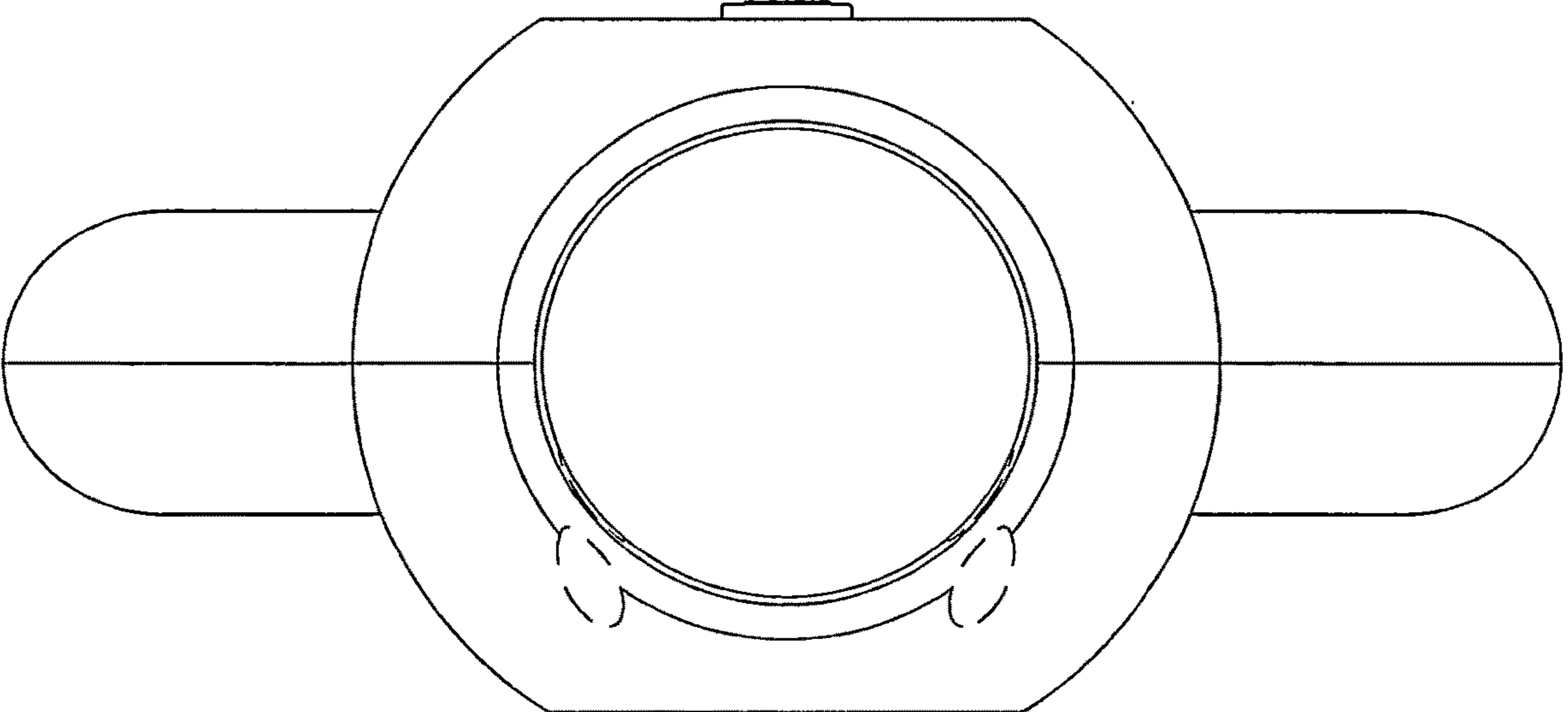


FIG.6