



US00D970027S

(12) **United States Design Patent** (10) **Patent No.:** **US D970,027 S**  
**He** (45) **Date of Patent:** **\*\* Nov. 15, 2022**

(54) **FACE MASSAGER**  
(71) Applicant: **ShenZhen Baselab Technology LLC**,  
Shenzhen (CN)  
(72) Inventor: **Shizhun He**, Shenzhen (CN)  
(73) Assignee: **SHENZHEN BASELAB TECHNOLOGY LLC**, Shenzhen (CN)  
(\*\*) Term: **15 Years**  
(21) Appl. No.: **29/763,817**  
(22) Filed: **Dec. 24, 2020**  
(51) **LOC (13) Cl.** ..... **28-03**  
(52) **U.S. Cl.**  
USPC ..... **D24/214**  
(58) **Field of Classification Search**  
USPC ..... D24/133, 188, 200, 211, 212, 213, 214,  
D24/215; D28/44, 56; D10/57  
CPC ..... A61B 2017/00761; A61B 2017/00747;  
A61N 2007/0034  
See application file for complete search history.

D863,574 S \* 10/2019 Yan ..... D24/200  
D865,990 S \* 11/2019 Ko ..... D24/215  
D888,264 S \* 6/2020 Sherrill ..... D24/215  
D894,411 S \* 8/2020 Jin ..... D24/200  
D904,635 S \* 12/2020 Shenfarber ..... D24/209  
D932,038 S \* 9/2021 Park ..... D24/209  
D949,380 S \* 4/2022 Khubani ..... D24/215

\* cited by examiner  
*Primary Examiner* — Michael A Maharajh  
(74) *Attorney, Agent, or Firm* — WPAT, PC

(57) **CLAIM**

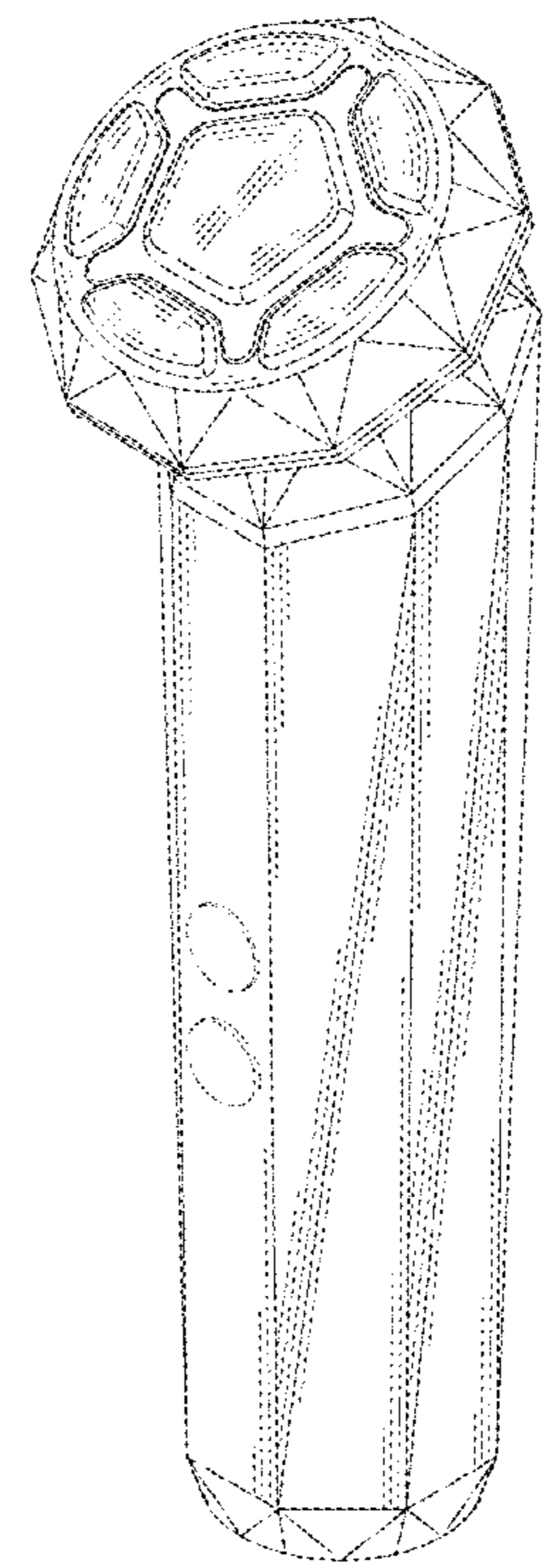
The ornamental design for a face massager, as shown and described.

**DESCRIPTION**

FIG. 1 is a perspective view of a face massager, showing my new design;  
FIG. 2 is another perspective view thereof;  
FIG. 3 is a front view thereof;  
FIG. 4 is a rear view thereof;  
FIG. 5 is a left side view thereof;  
FIG. 6 is a right side view thereof;  
FIG. 7 is a top plan view shown at an enlarged scale thereof;  
and,  
FIG. 8 is a bottom plan view shown at an enlarged scale thereof.  
The broken line shown are included for the purpose of illustrating portions of the face massager which form no part of the claimed design.

**1 Claim, 5 Drawing Sheets**

(56) **References Cited**  
U.S. PATENT DOCUMENTS  
D321,056 S \* 10/1991 Chambers ..... D24/212  
D323,034 S \* 1/1992 Reinstein ..... D24/214  
D361,404 S \* 8/1995 Haas ..... D28/7  
D467,347 S \* 12/2002 Yang ..... D24/215  
D538,430 S \* 3/2007 Ohta ..... D24/146  
D609,817 S \* 2/2010 Piller ..... D24/215  
D659,843 S \* 5/2012 Wang ..... D24/200  
D678,783 S \* 3/2013 Wilcox ..... D28/7  
D791,960 S \* 7/2017 Guanying ..... D24/209



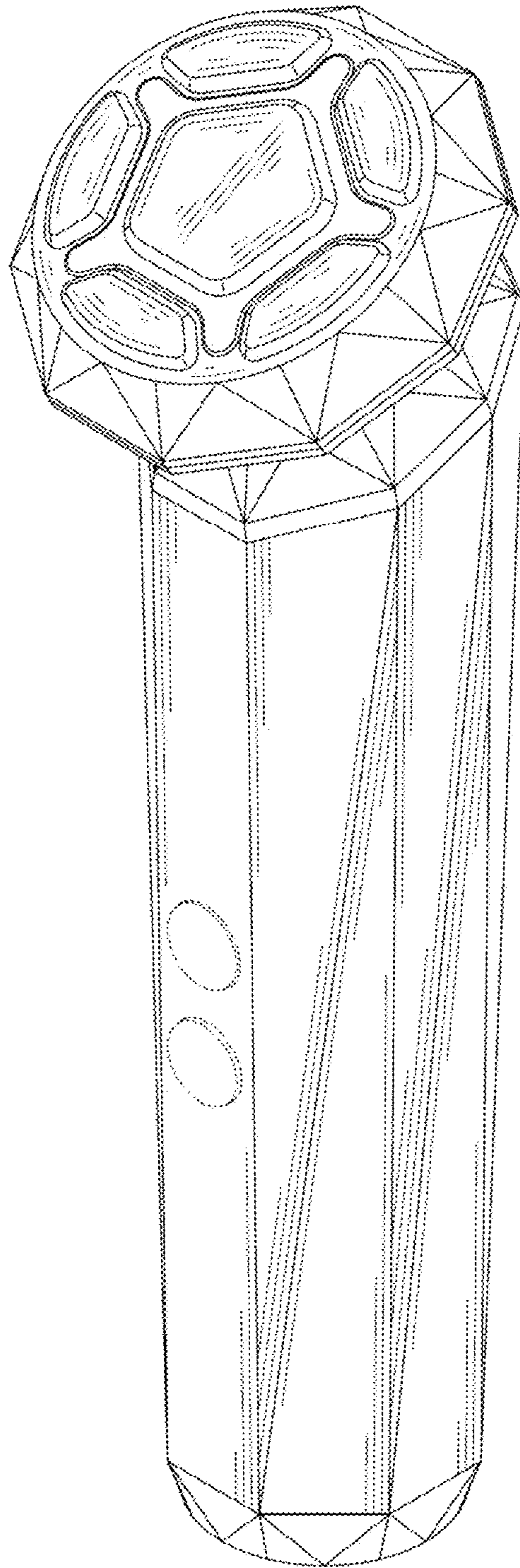


FIG. 1

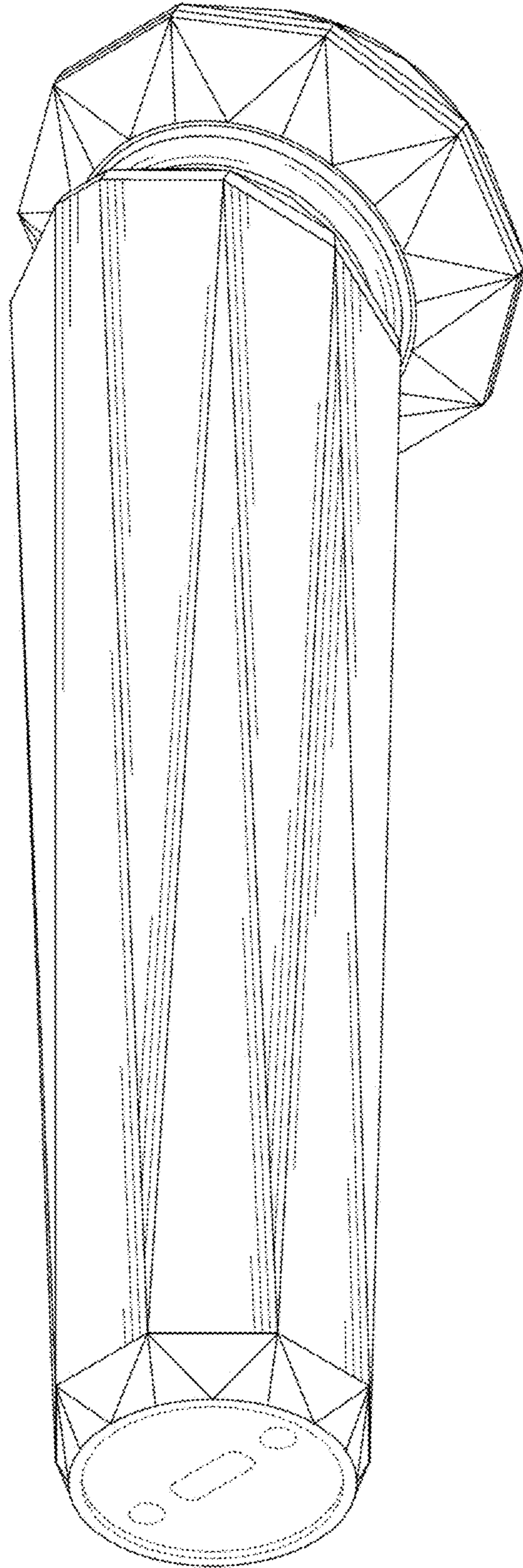


FIG. 2

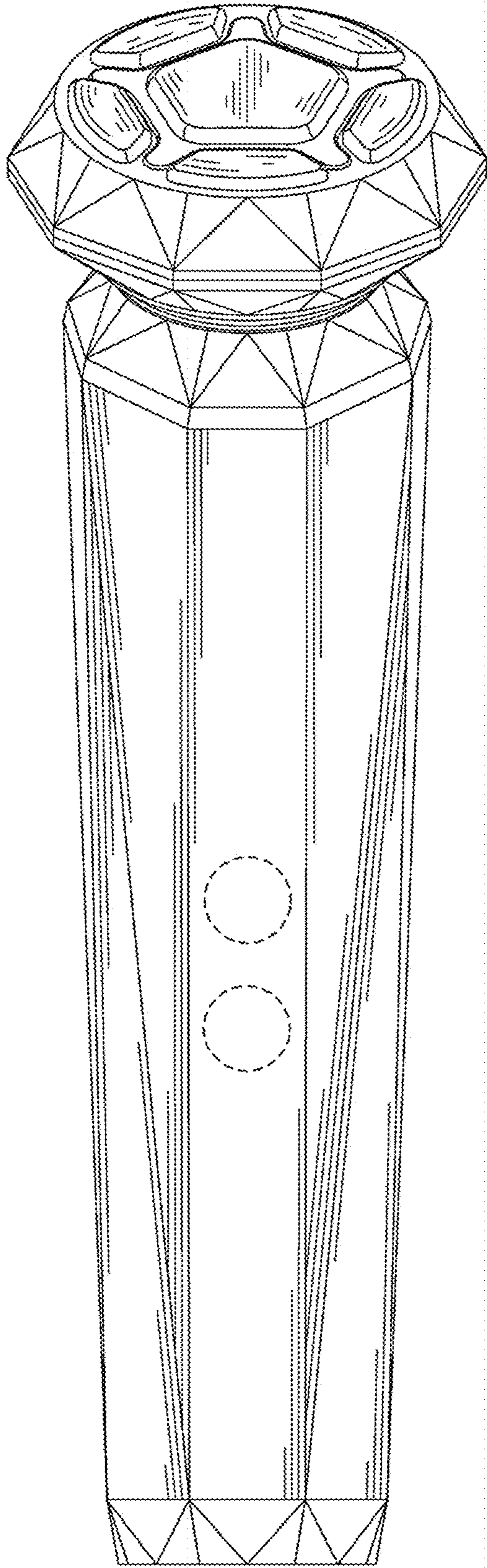


FIG. 3

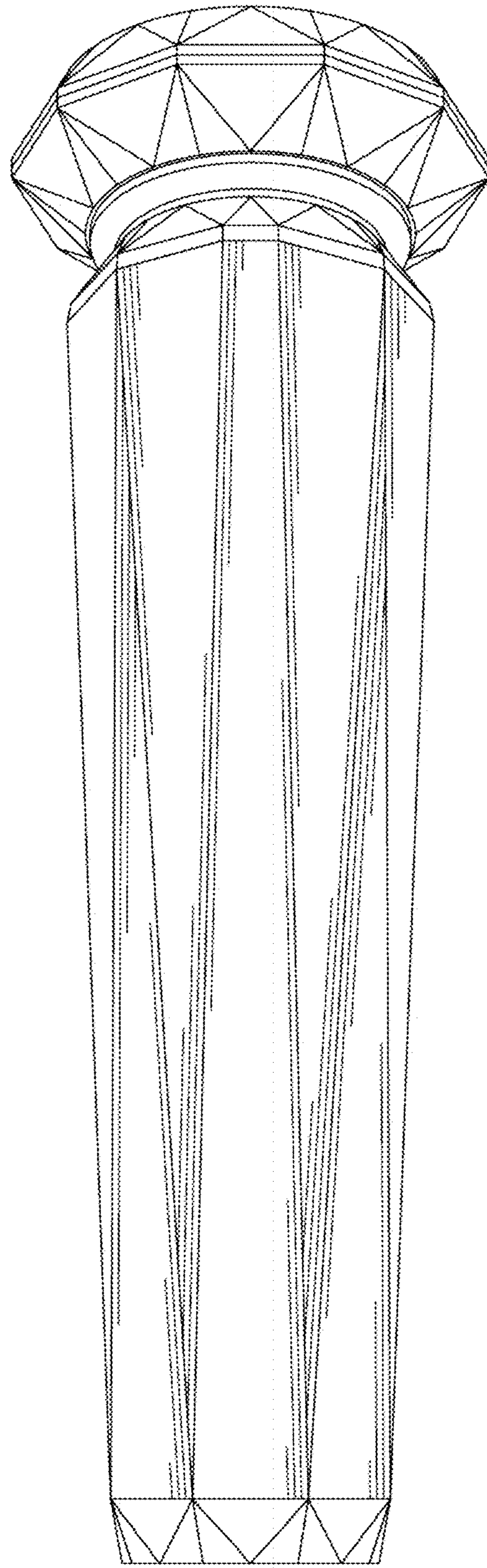


FIG. 4

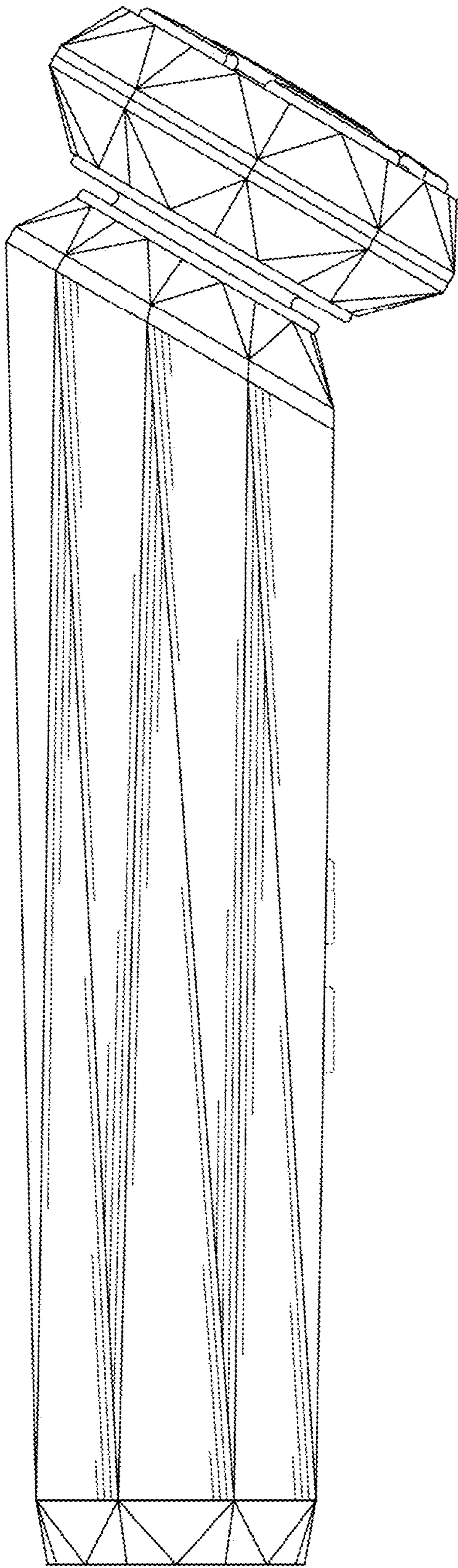


FIG. 5

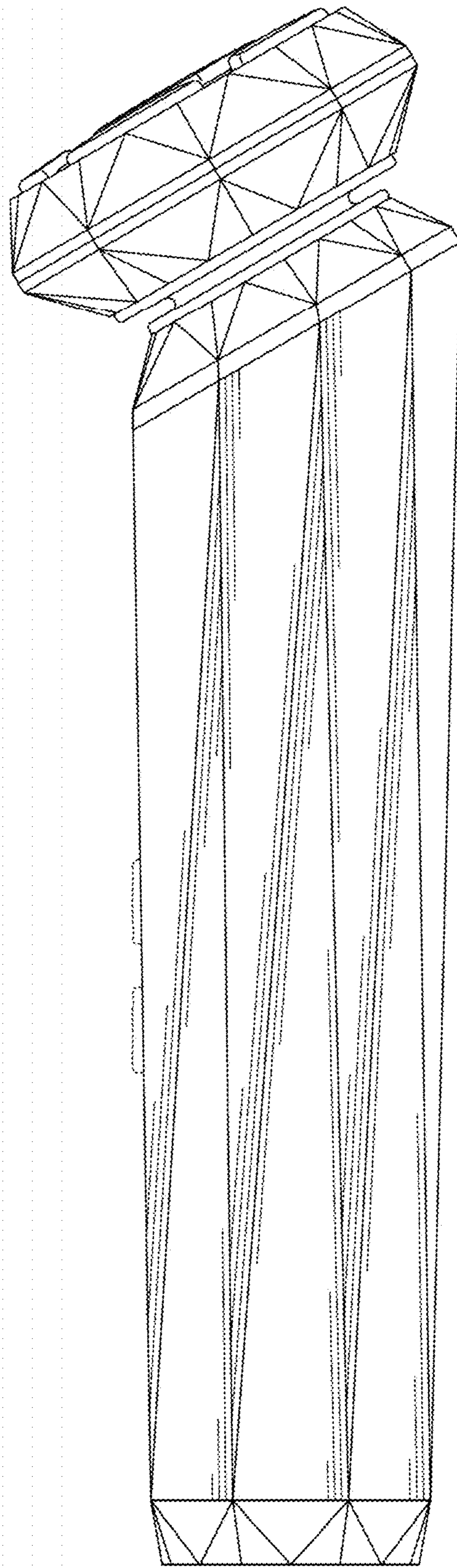


FIG. 6

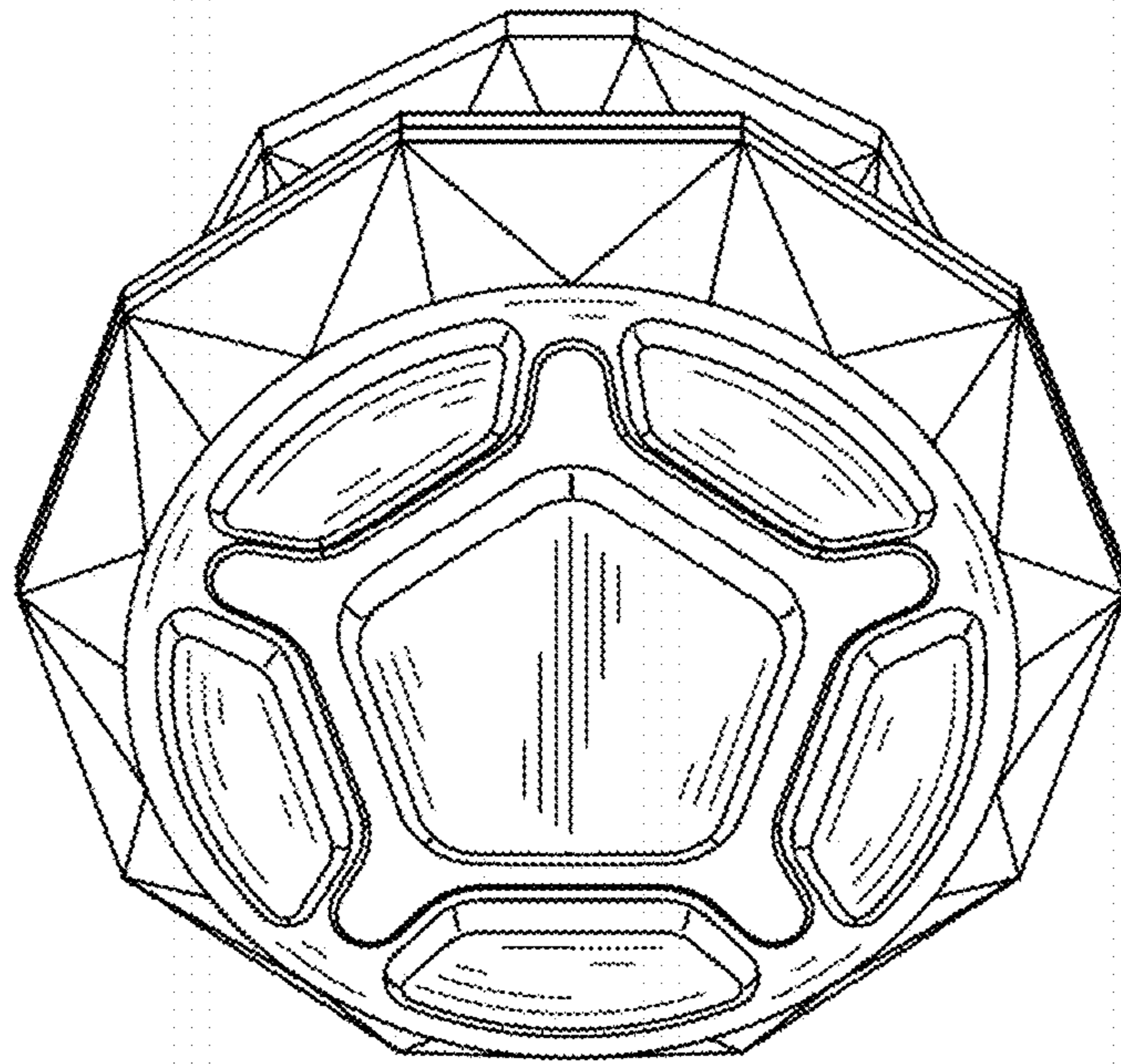


FIG. 7

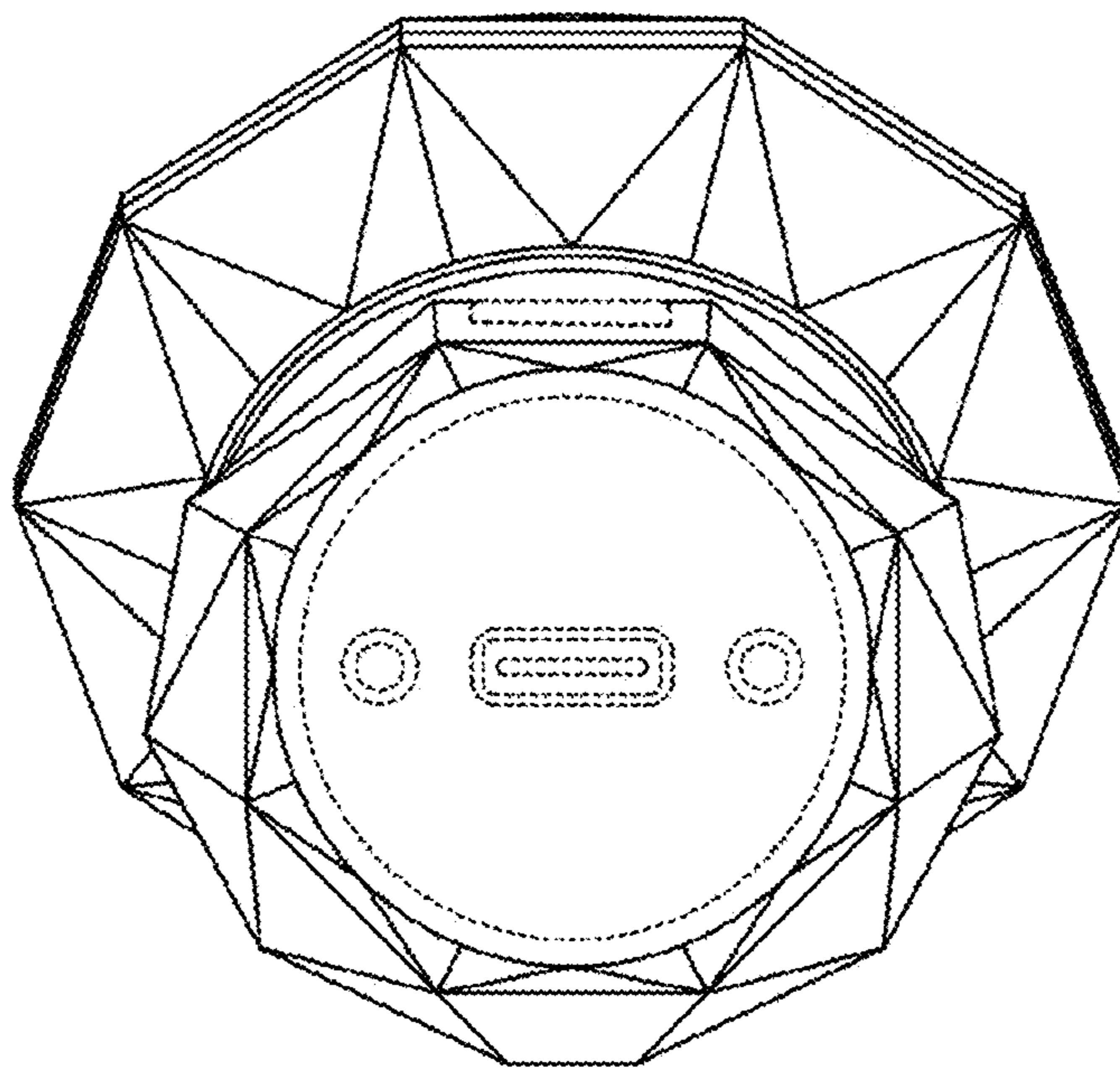


FIG. 8