



US00D970024S

(12) **United States Design Patent** (10) **Patent No.:** **US D970,024 S**
Kulas et al. (45) **Date of Patent:** **** Nov. 15, 2022**

(54) **HEAD HOLDER**
(71) Applicant: **GE Precision Healthcare LLC**,
Wauwatosa, WI (US)
(72) Inventors: **Ronald George Kulas**, Delafield, WI
(US); **Michelle DeLong Samalik**,
Milwaukee, WI (US); **Sharon**
Ghelman, Hollywood, FL (US); **Kelly**
Vonderhaar Kaiser, Wauwatosa, WI
(US)

D630,448 S * 1/2011 Xu D6/333
D650,483 S 12/2011 Roggenkamp
D653,062 S 1/2012 Sparshott et al.
8,887,331 B2 11/2014 Nakamura et al.
(Continued)

FOREIGN PATENT DOCUMENTS

CN 305854101 * 6/2020
CN 306833650 * 9/2021

OTHER PUBLICATIONS

Small Hand Scoop: Gray, 32 oz Capacity, 11 1/2 in Overall Lg, 4
33/100 in Overall Wd, Grainger, [Post date unknown], [Site seen
Jul. 11, 2022], Seen at URL: <https://www.grainger.com/product/REMCO-Mini-Hand-Scoop-Gray-499G25> (Year: 2022).
(Continued)

(73) Assignee: **GE Precision Healthcare LLC**,
Wauwatosa, WI (US)

(**) Term: **15 Years**

(21) Appl. No.: **29/822,380**

(22) Filed: **Jan. 7, 2022**

Related U.S. Application Data

(62) Division of application No. 29/731,209, filed on Apr.
13, 2020.

(51) **LOC (13) Cl.** **24-02**

(52) **U.S. Cl.**
USPC **D24/191; D24/184**

(58) **Field of Classification Search**
USPC D24/190, 191, 183, 184, 188, 200, 211;
D6/716.5

CPC ... A61B 6/0407; A61B 6/032; A47B 21/0371;
A47C 1/03; A47C 1/143

See application file for complete search history.

(56) **References Cited**

U.S. PATENT DOCUMENTS

5,233,713 A 8/1993 Murphy et al.
D361,383 S 8/1995 Lipson et al.
D376,428 S 12/1996 Lipson et al.
D539,066 S * 3/2007 Coquillette D6/601
D583,178 S * 12/2008 Blunston D6/333

Primary Examiner — Natasha Vujcic
Assistant Examiner — Gilbert B Ford
(74) *Attorney, Agent, or Firm* — McCoy Russell LLP

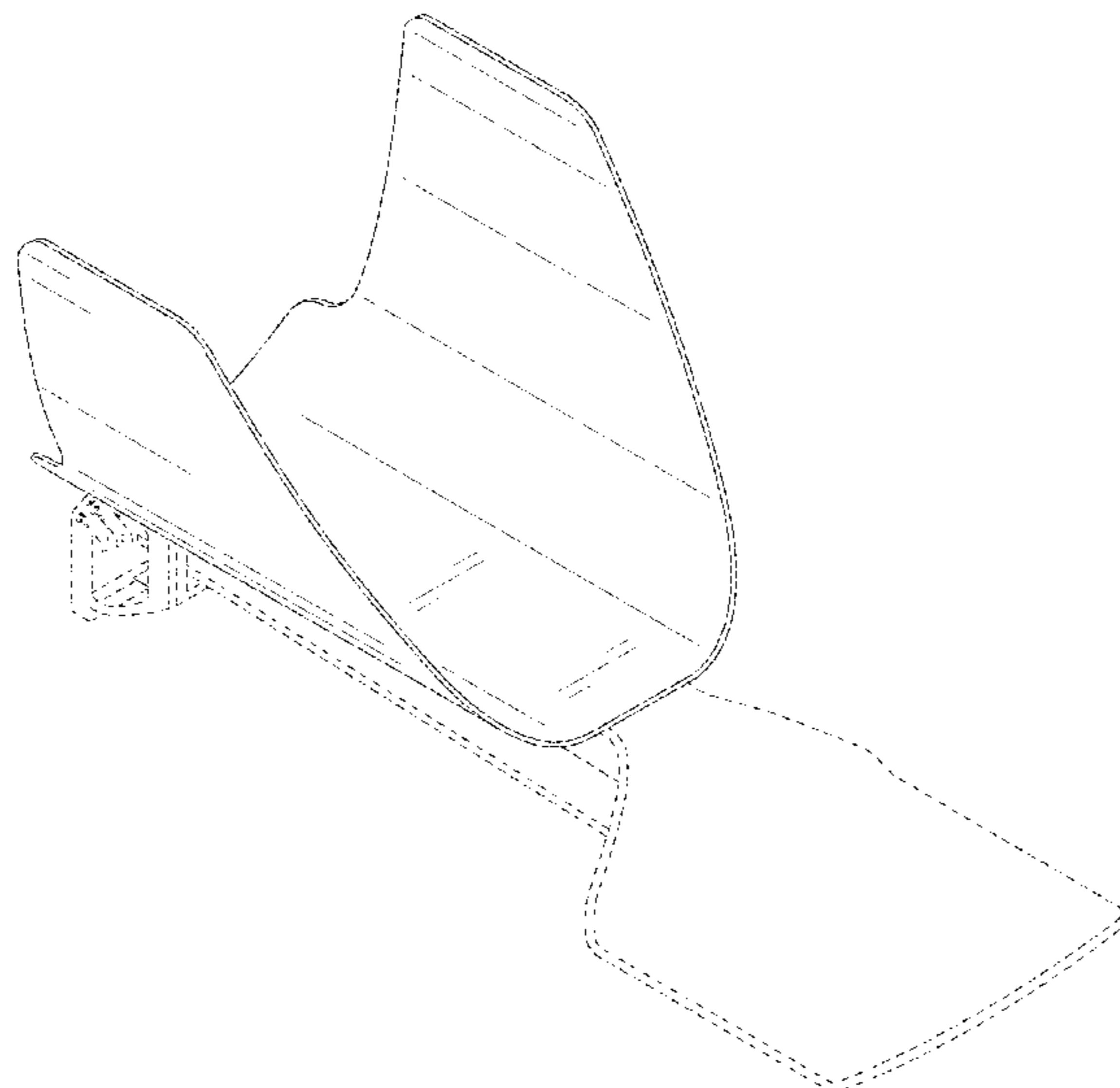
(57) **CLAIM**

The ornamental design for a head holder, as shown and
described.

DESCRIPTION

FIG. 1 is a front-right perspective view of a head holder
according to the claimed design.
FIG. 2 is a rear-left perspective view of the head holder.
FIG. 3 is a front view of the head holder.
FIG. 4 is a rear view of the head holder.
FIG. 5 is a left side view of the head holder.
FIG. 6 is a right side view of the head holder.
FIG. 7 is a top view of the head holder; and,
FIG. 8 is a bottom view of the head holder.
The dash-dash broken lines in the drawings illustrate por-
tions of the head holder that form no part of the claimed
design.

1 Claim, 8 Drawing Sheets



(56)

References Cited

U.S. PATENT DOCUMENTS

8,905,637 B2 12/2014 Tybinkowski et al.
 D753,468 S * 4/2016 Weger D8/356
 D797,299 S 9/2017 Ruel et al.
 D797,945 S 9/2017 Kim
 D808,536 S 1/2018 Bright
 9,913,620 B2 3/2018 Smith et al.
 10,076,636 B2 * 9/2018 Murray A61M 25/0017
 D837,385 S 1/2019 He et al.
 D837,386 S 1/2019 Barber et al.
 D845,494 S 4/2019 Sudell
 D875,432 S * 2/2020 Brown A47G 9/1081
 D6/601
 D878,108 S * 3/2020 Wang D6/601
 D881,476 S * 4/2020 Koop D30/109
 D888,965 S 6/2020 Zwierstra et al.
 D905,180 S 12/2020 Karvandi
 D908,229 S 1/2021 Wagner et al.
 D921,203 S 6/2021 Clark et al.
 11,166,681 B2 * 11/2021 Bardo A61G 13/121
 D942,017 S * 1/2022 Ahearn D24/184
 D942,181 S * 2/2022 Woods D6/601
 D950,980 S * 5/2022 Zhang D6/601

D954,960 S * 6/2022 Yamasaki D24/171
 2006/0083355 A1 4/2006 Loser
 2013/0272492 A1 10/2013 Tybinkowski et al.
 2016/0374630 A1 12/2016 Smith et al.
 2017/0224117 A1 8/2017 DuFresne et al.
 2019/0175433 A1 6/2019 Zwierstra et al.
 2019/0313985 A1 * 10/2019 Bardo A61B 6/032
 2020/0037752 A1 2/2020 Davenport et al.

OTHER PUBLICATIONS

Aquilion One Child Head Holder Pad, Aquillon, Z&Z medical, [Post date unknown], [Site seen Jul. 11, 2022], Seen at URL: <https://www.zzmedical.com/x-ray-practices/pediatrics/aquilion-one-child-head-holder-pad.html> (Year: 2022).
 “Are CT scans not carried out fast enough for you?,” Pearl Technology Website, Available Online at http://pearl-technology.ch/storage/app/media/ct_headfix/en/F41-017-EN_CTHeadFix.pdf, Available as Early as Jan. 2020, 2 pages.
 “GE Healthcare CT Axial Headholder Insert,” Medline Website, Available Online at <https://www.medline.com/product/CT-Axial-Headholder-Insert-by-GE-Healthcare/Z05-PF120539>, Retrieved on Dec. 9, 2021, 1 page.

* cited by examiner

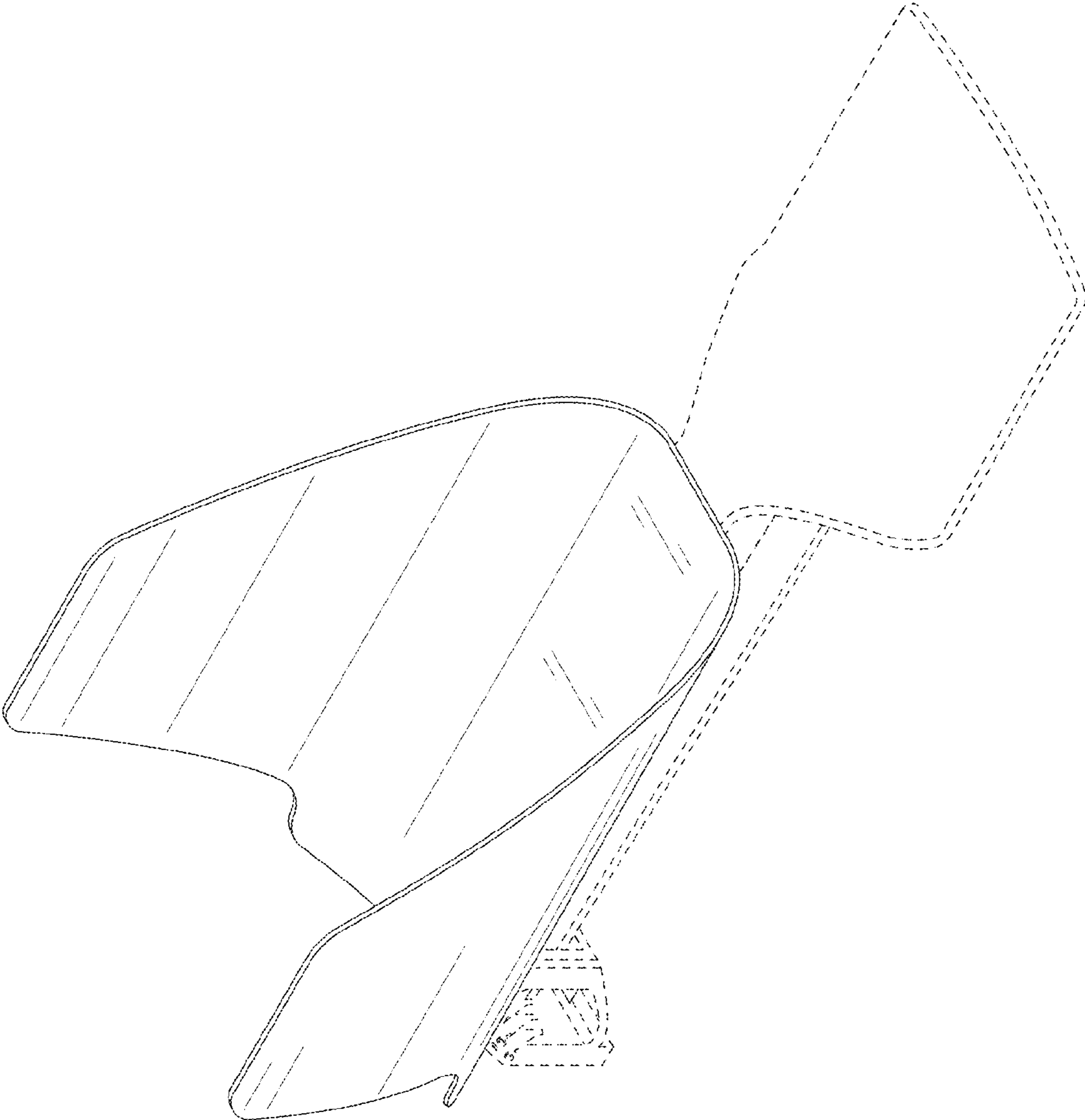


FIG. 1

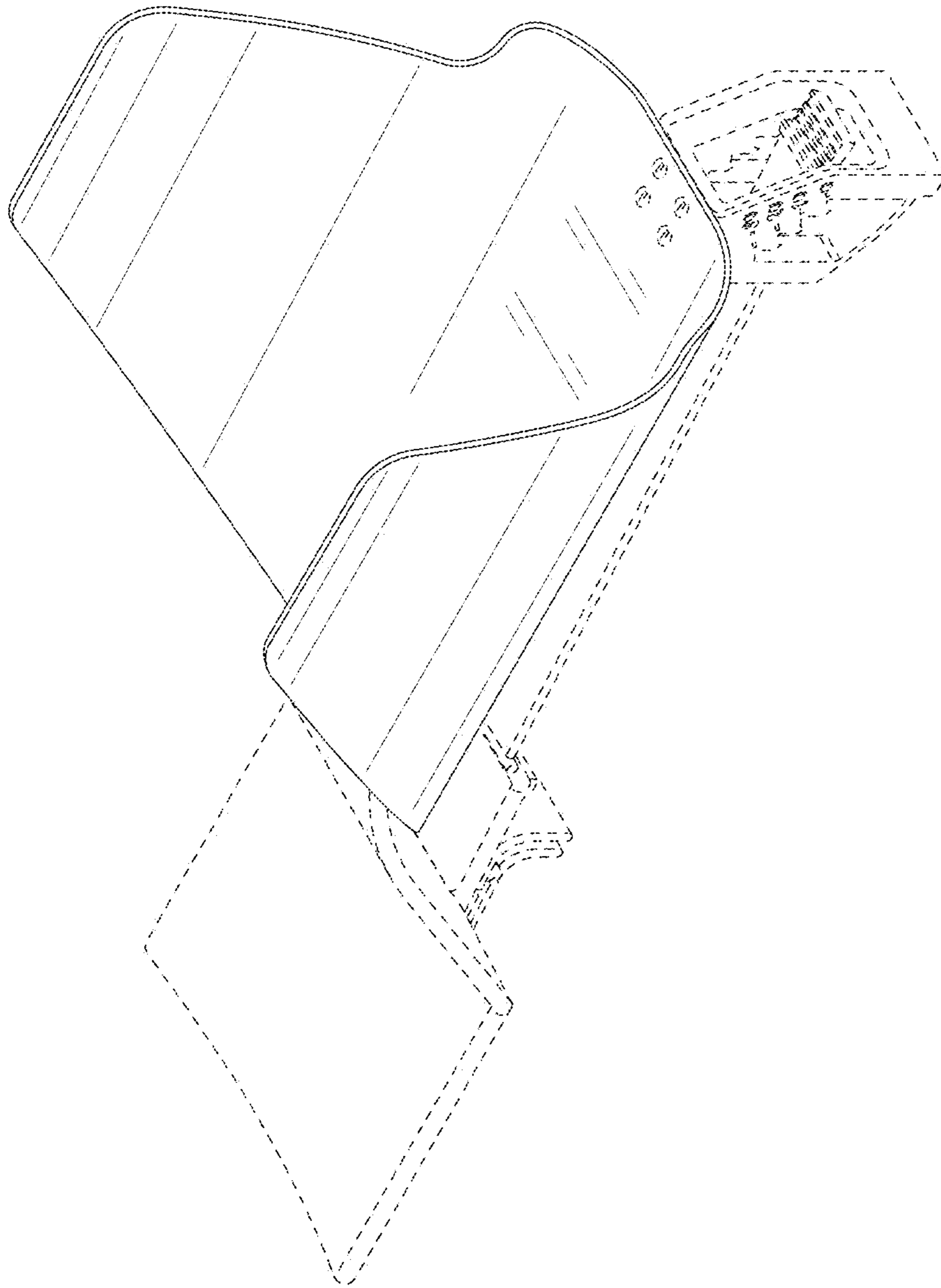


FIG. 2

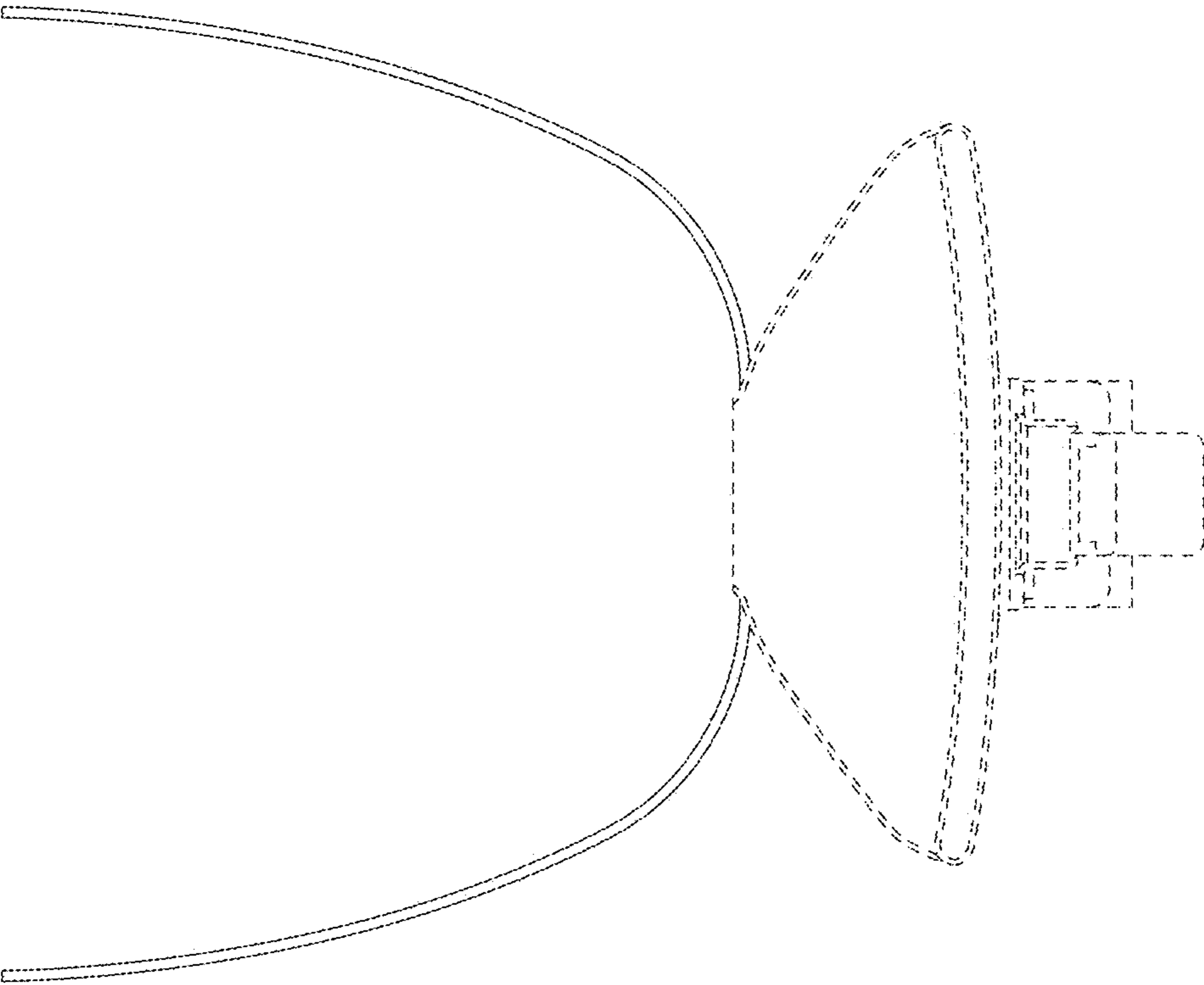


FIG. 3

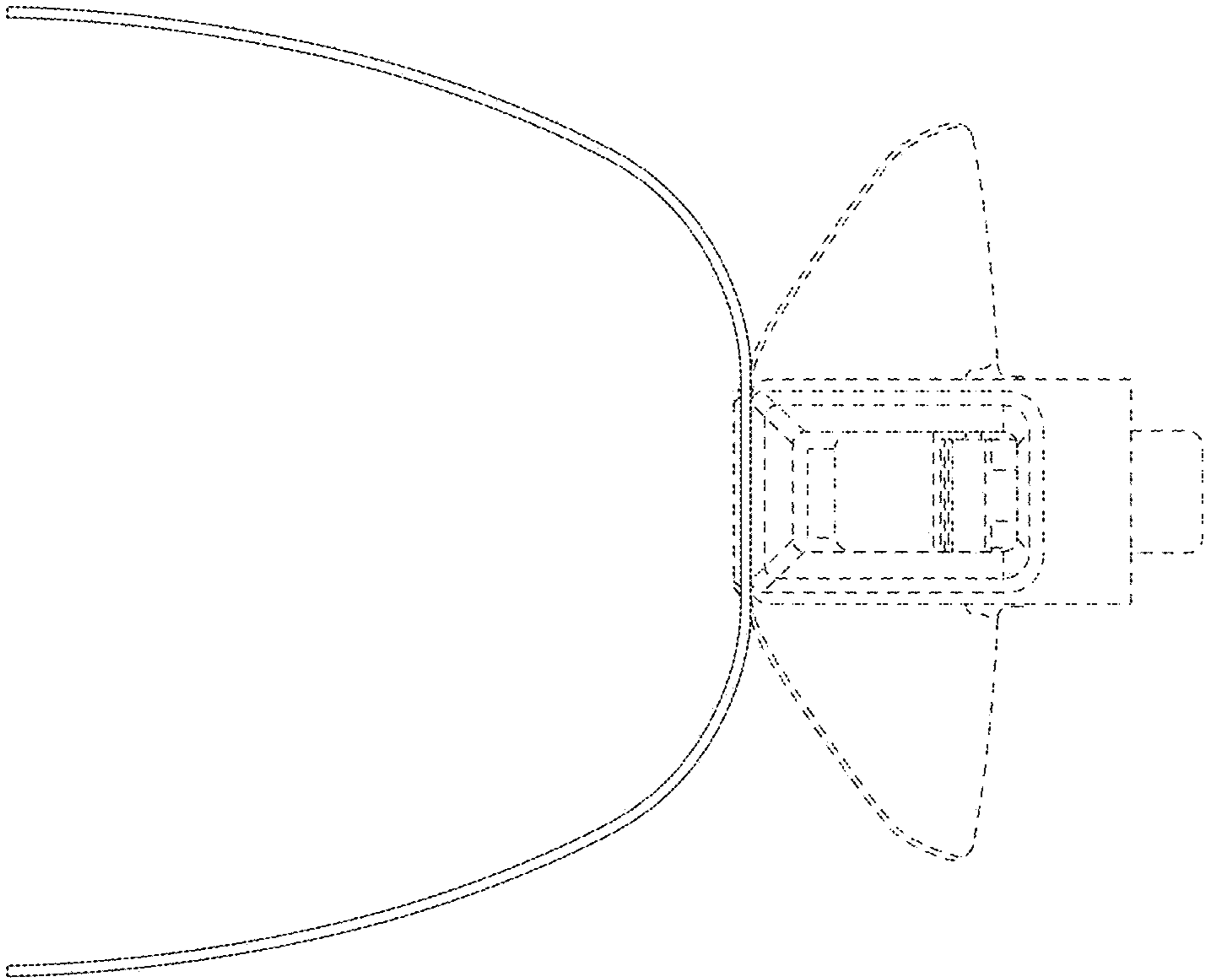


FIG. 4

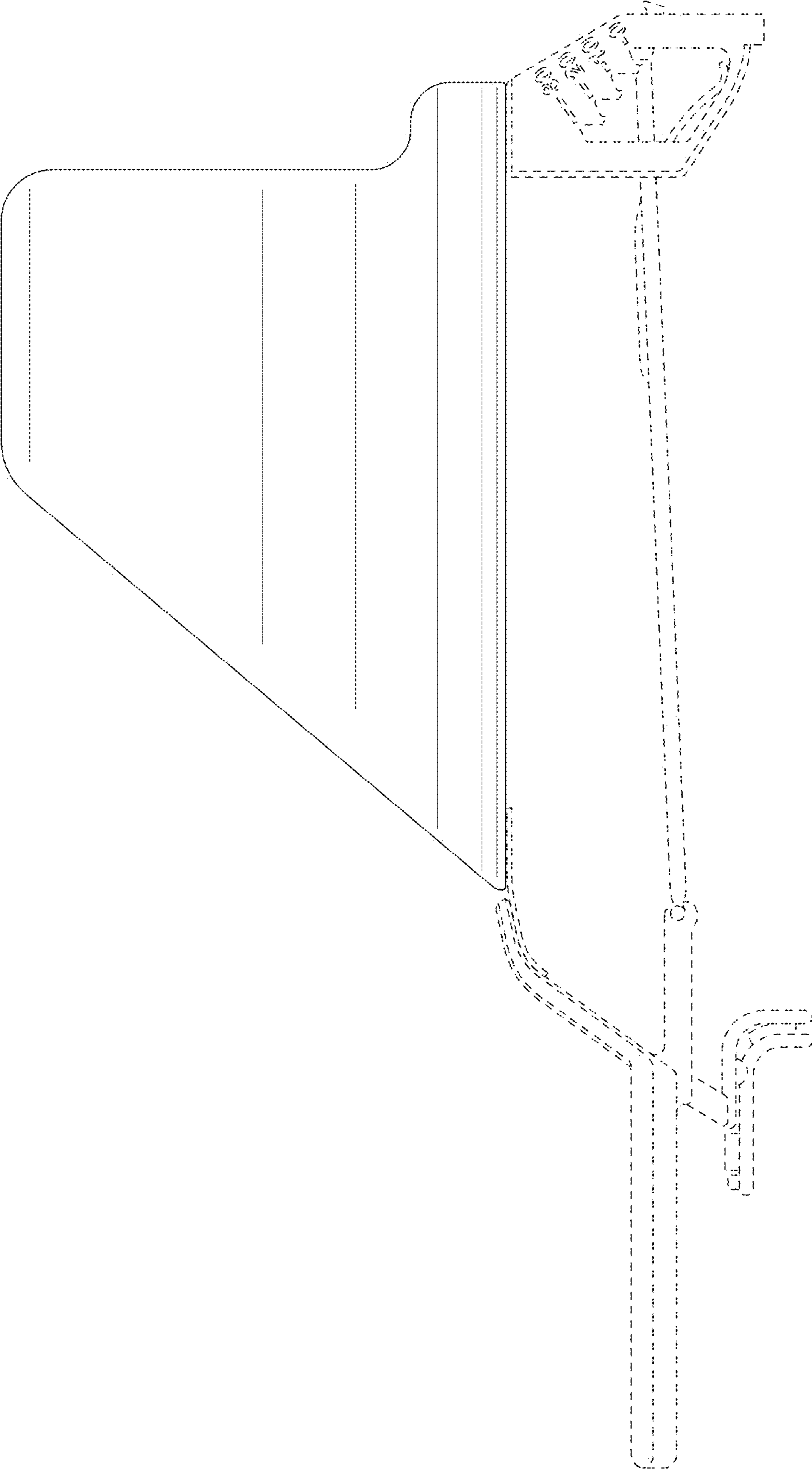


FIG. 5

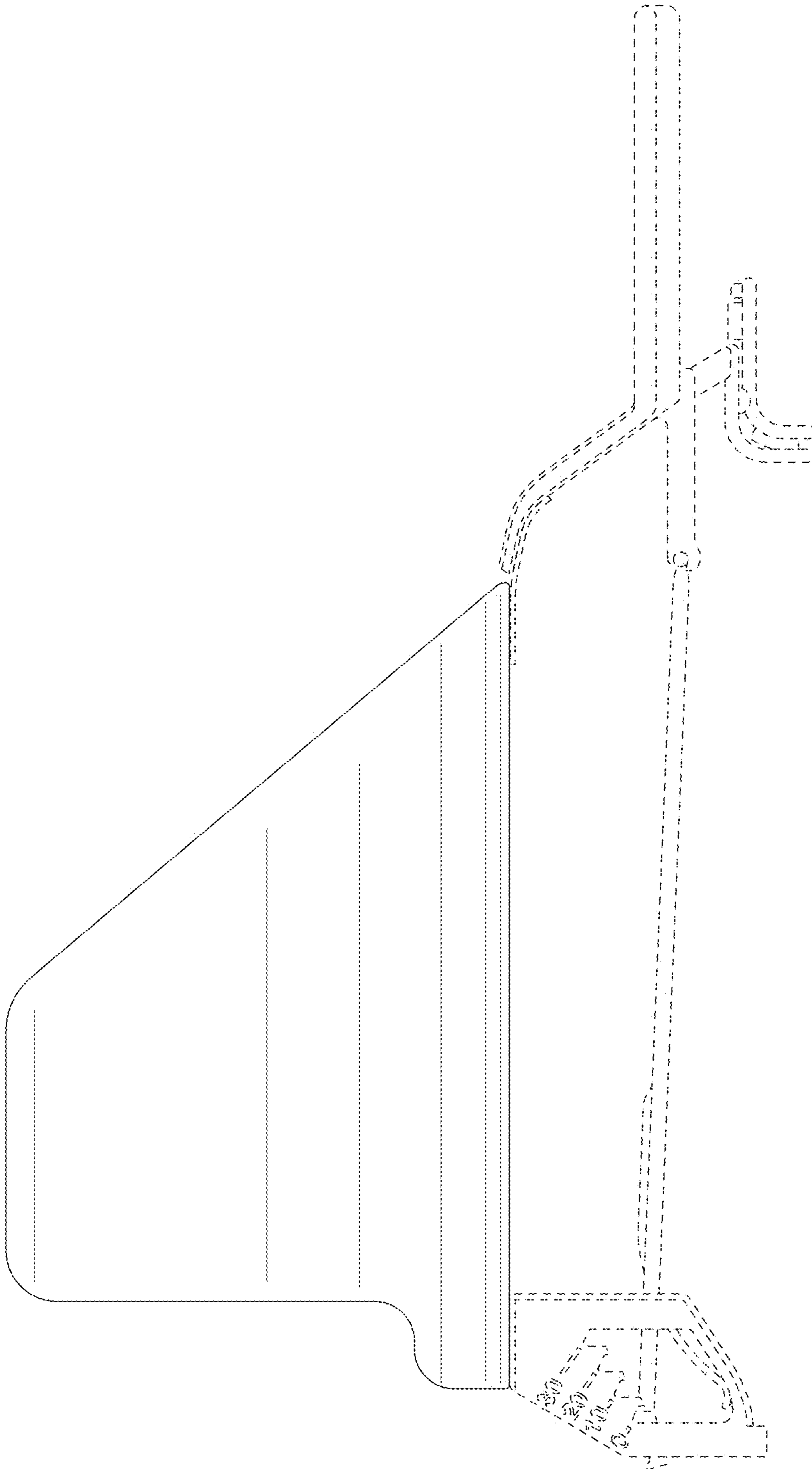


FIG. 6

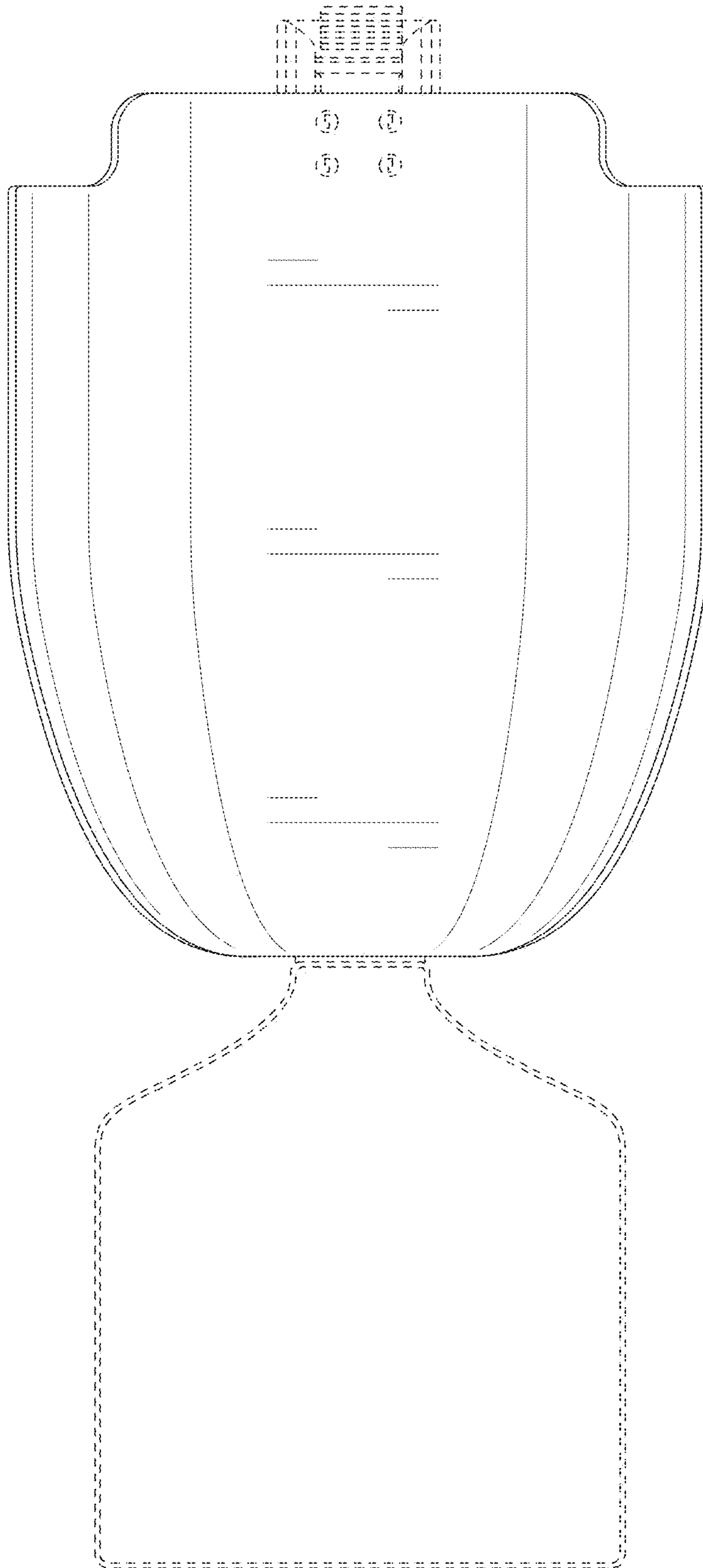


FIG. 7

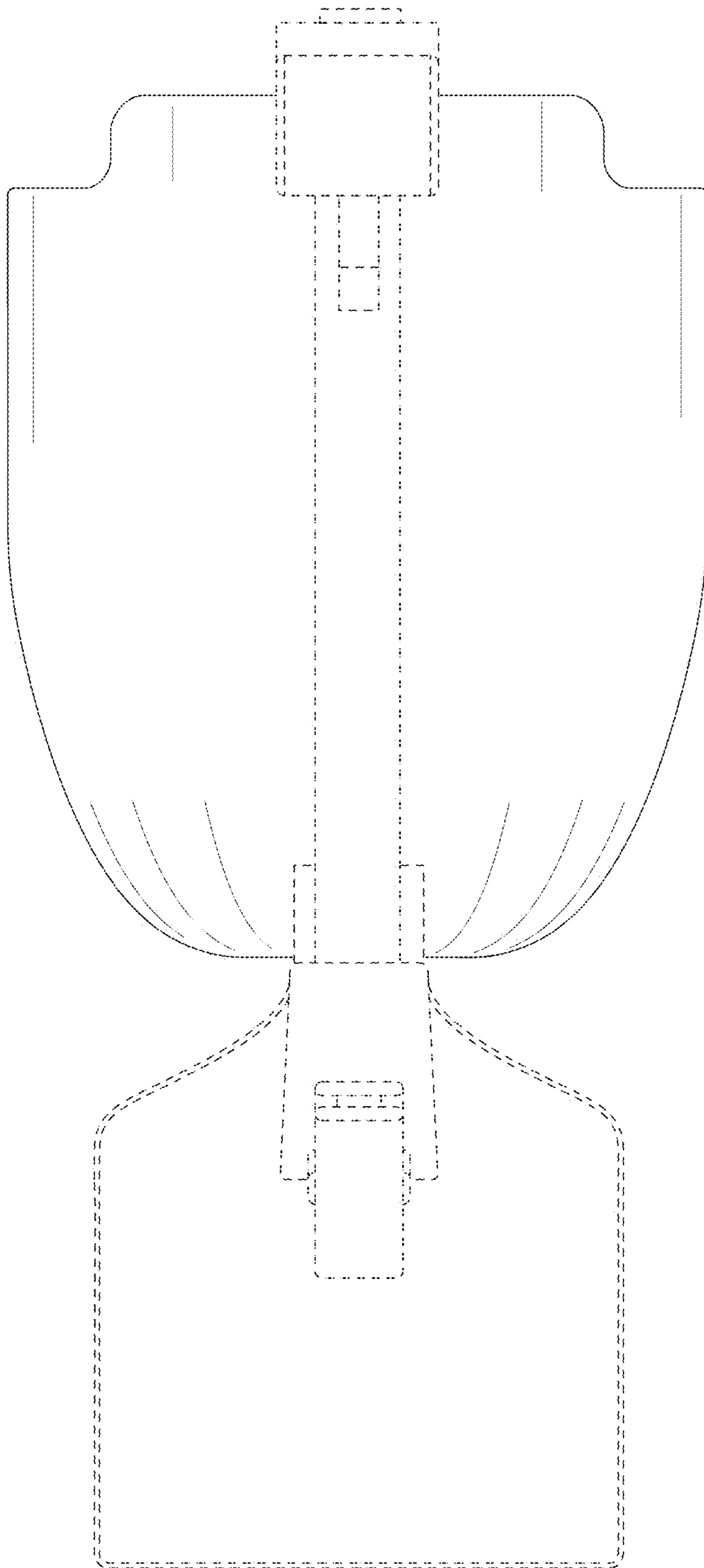


FIG. 8