



US00D970023S

(12) **United States Design Patent** (10) **Patent No.:** **US D970,023 S**
Kulas et al. (45) **Date of Patent:** **** Nov. 15, 2022**

(54) **HEAD HOLDER**

FOREIGN PATENT DOCUMENTS

(71) Applicant: **GE Precision Healthcare LLC**,
Milwaukee, WI (US)

CN 305854101 * 6/2020
CN 306833650 * 9/2021

(72) Inventors: **Ronald Kulas**, Delafield, WI (US);
Michelle DeLong Samalik, Milwaukee,
WI (US); **Sharon Ghelman**,
Hollywood, FL (US); **Kelly**
Vonderhaar Kaiser, Wauwatosa, WI
(US)

OTHER PUBLICATIONS

GE Healthcare CT Axial Headholder Insert, GE Healthcare, Medline,
[Post date unknown], [Site seen Dec. 9, 2021], Seen at URL:
<https://www.medline.com/product/CT-Axial-Headholder-Insert-by-GE-Healthcare/Z05-PF120539> (Year: 2021).*

(Continued)

(73) Assignee: **GE Precision Healthcare LLC**,
Milwaukee, WI (US)

Primary Examiner — Natasha Vujcic
Assistant Examiner — Gilbert B Ford

(**) Term: **15 Years**

(74) *Attorney, Agent, or Firm* — McCoy Russell LLP

(21) Appl. No.: **29/731,209**

(57) **CLAIM**

(22) Filed: **Apr. 13, 2020**

The ornamental design for a head holder, as shown and described.

(51) **LOC (13) Cl.** **24-02**

(52) **U.S. Cl.**
USPC **D24/191; D24/184**

DESCRIPTION

(58) **Field of Classification Search**
USPC D24/190–191, 183–184, 188, 200, 211;
D6/716.5
CPC ... A61B 6/0407; A61B 6/032; A47B 21/0371;
A47C 1/03; A47C 1/143
See application file for complete search history.

FIG. 1 is a front-right perspective view of a head holder according to the claimed design.
FIG. 2 is a rear-left perspective view of the head holder.
FIG. 3 is a front view of the head holder.
FIG. 4 is a rear view of the head holder.
FIG. 5 is a left side view of the head holder.
FIG. 6 is a right side view of the head holder.
FIG. 7 is a top view of the head holder.
FIG. 8 is a bottom view of the head holder.
FIG. 9 is a left side view of the head holder in a first pivoted position for illustration purposes.
FIG. 10 is a left side view of the head holder in a second pivoted position for illustration purposes; and,
FIG. 11 is a left side view of the head holder in a third pivoted position for illustration purposes.
The broken lines in the drawings illustrate portions of the head holder that form no part of the claimed design.

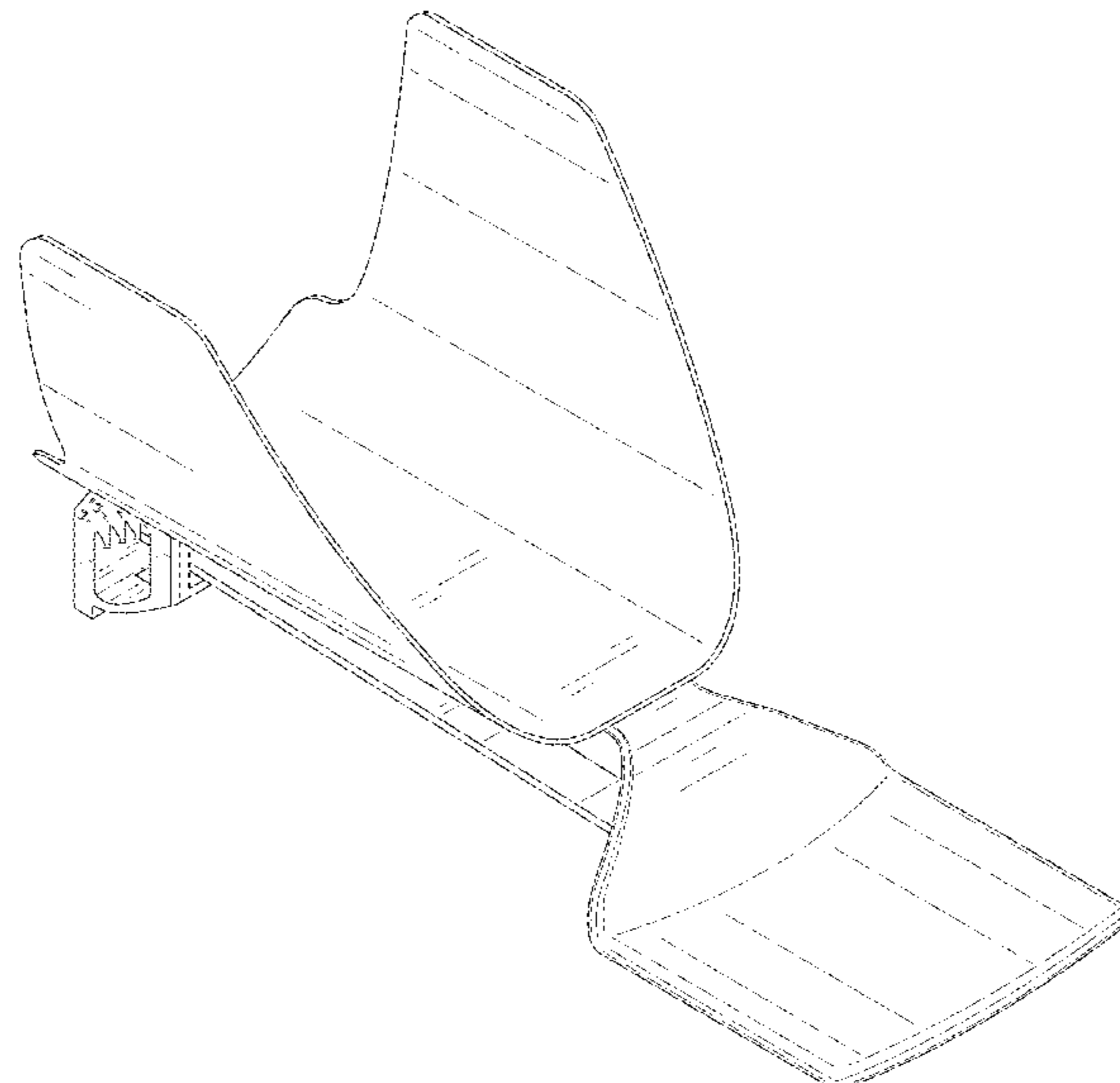
(56) **References Cited**

U.S. PATENT DOCUMENTS

5,233,713 A * 8/1993 Murphy A61G 13/121
250/363.02
D361,383 S * 8/1995 Lipson D24/183
D376,428 S * 12/1996 Lipson D24/183
D650,483 S * 12/2011 Roggenkamp D24/184
D653,062 S * 1/2012 Sparshott D6/716.5
8,887,331 B2 * 11/2014 Nakamura A61B 6/0428
5/634

(Continued)

1 Claim, 11 Drawing Sheets



(56)

References Cited

U.S. PATENT DOCUMENTS

8,905,637 B2 * 12/2014 Tybinkowski A61B 6/4405
 378/209
 D797,299 S * 9/2017 Ruel D24/190
 D797,945 S * 9/2017 Kim D24/191
 D808,536 S * 1/2018 Bright D24/190
 9,913,620 B2 * 3/2018 Smith A61B 6/0407
 D837,385 S * 1/2019 He D24/184
 D837,386 S * 1/2019 Barber D24/184
 D845,494 S * 4/2019 Sudell D24/190
 D888,965 S * 6/2020 Zwierstra D24/184
 D905,180 S * 12/2020 Karvandi D21/694
 D908,229 S * 1/2021 Wagner D24/191
 D921,203 S * 6/2021 Clark D24/183
 2006/0083355 A1 * 4/2006 Loser A61B 6/0442
 378/208
 2013/0272492 A1 * 10/2013 Tybinkowski A61B 6/04
 378/20
 2016/0374630 A1 * 12/2016 Smith A61B 6/501
 378/209
 2017/0224117 A1 * 8/2017 DuFresne A61G 5/121
 2019/0175433 A1 * 6/2019 Zwierstra A61B 5/055
 2020/0037752 A1 * 2/2020 Davenport A61G 13/126

OTHER PUBLICATIONS

“Are CT scans not carried out fast enough for you?” Pearl Technology Website, Available Online at http://pearl-technology.ch/storage/app/media/ct_headfix/en/F41-017-EN_CTHeadFix.pdf, Available as Early as Jan. 2020, 2 pages.

* cited by examiner

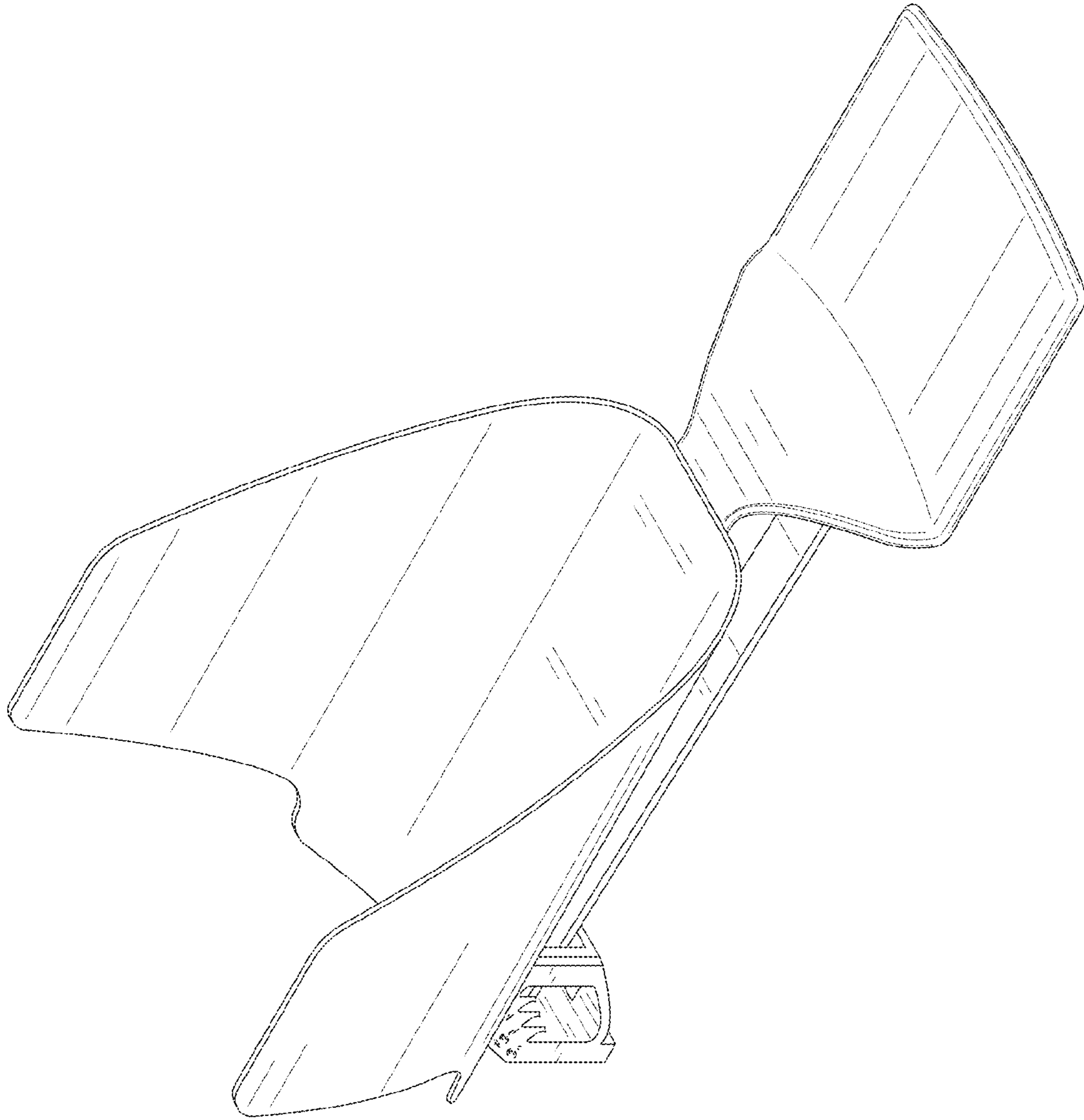


FIG. 1

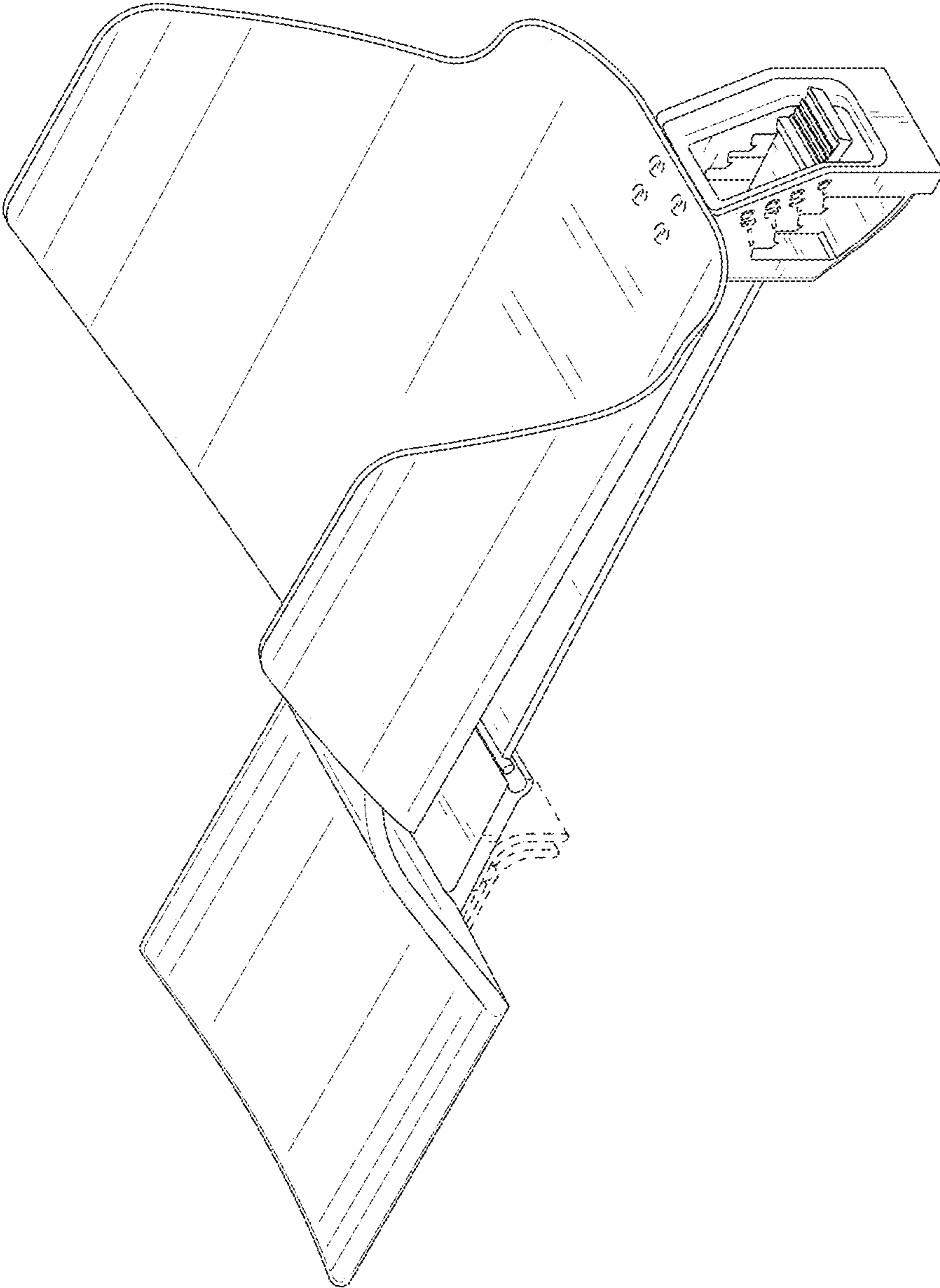


FIG. 2

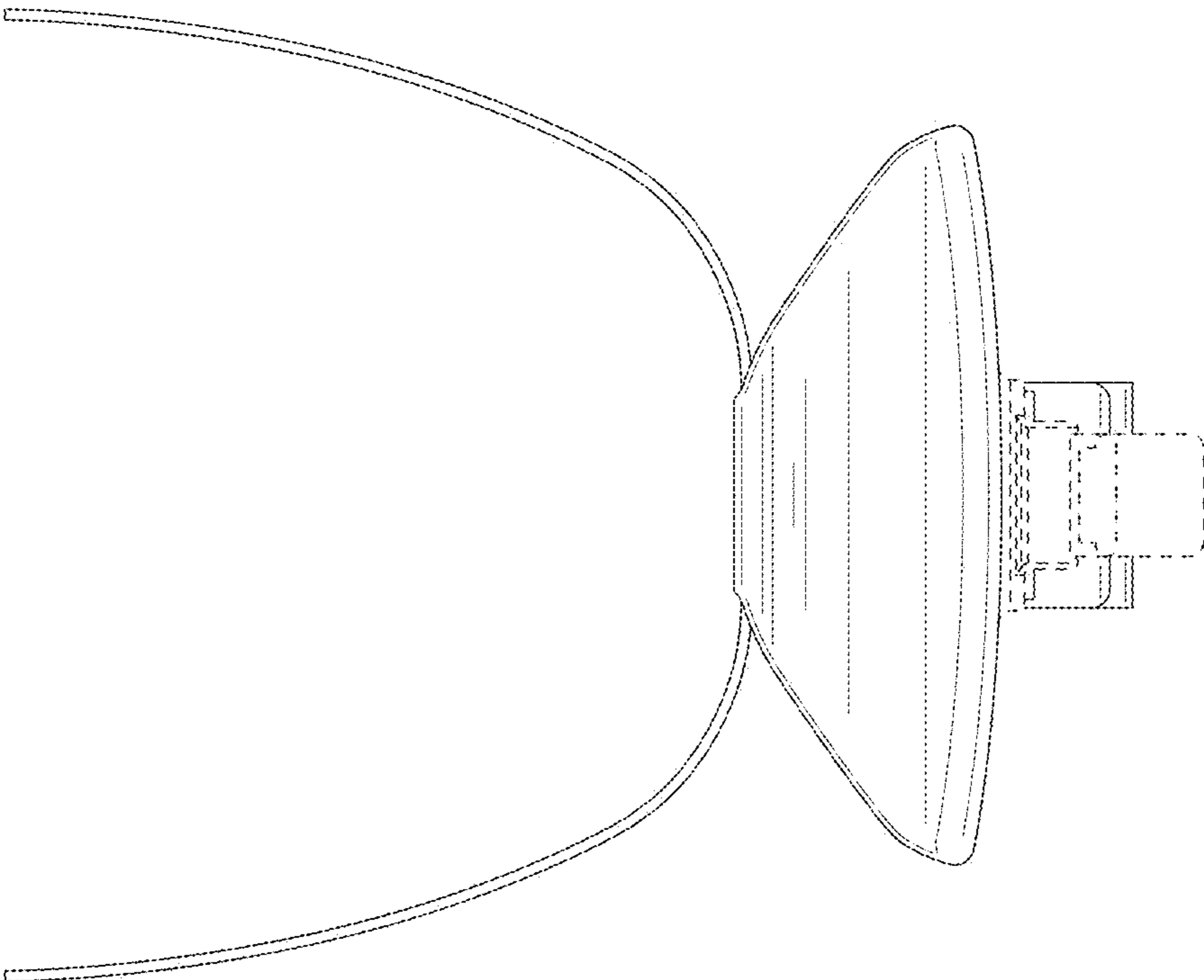


FIG. 3

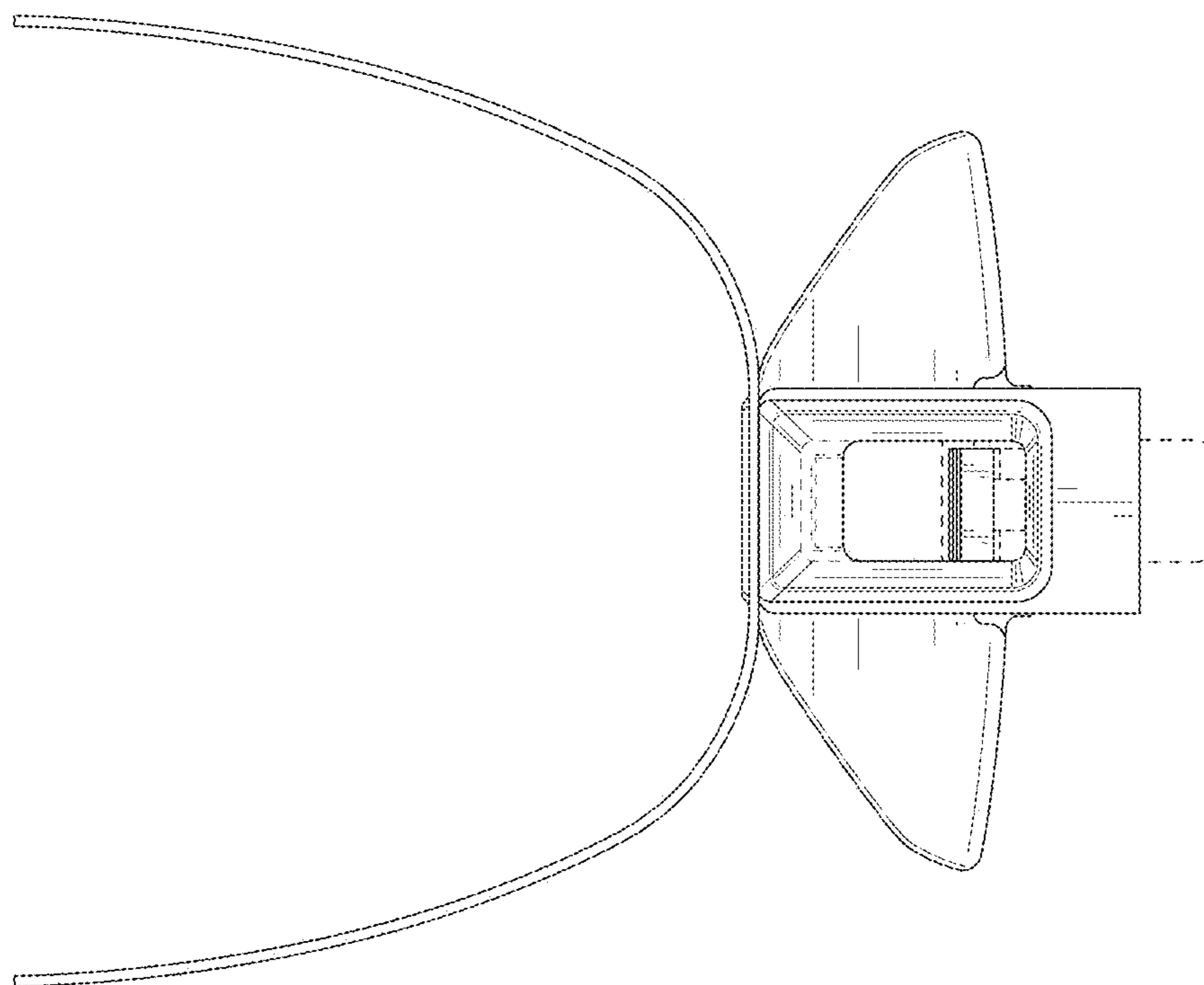


FIG. 4

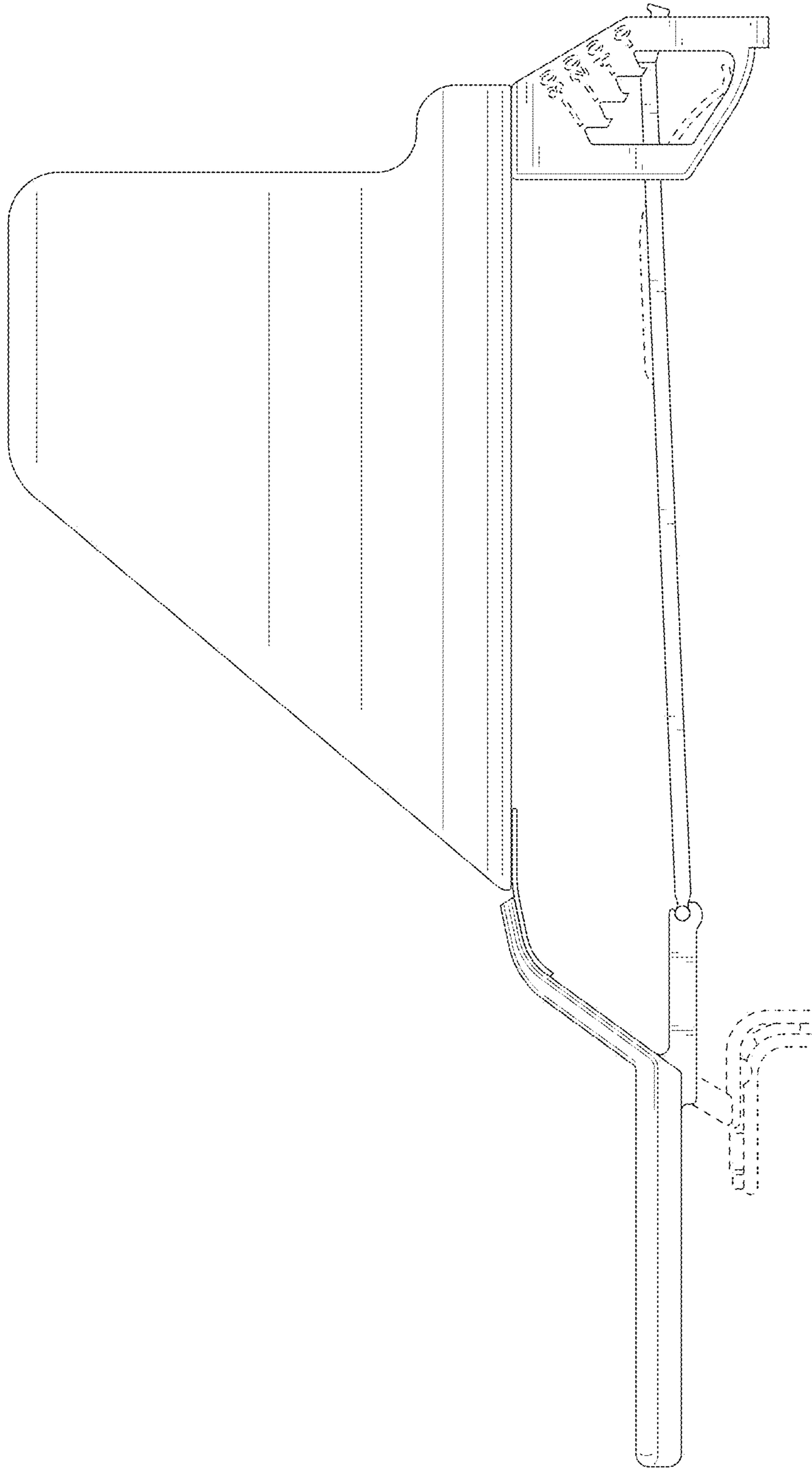


FIG. 5

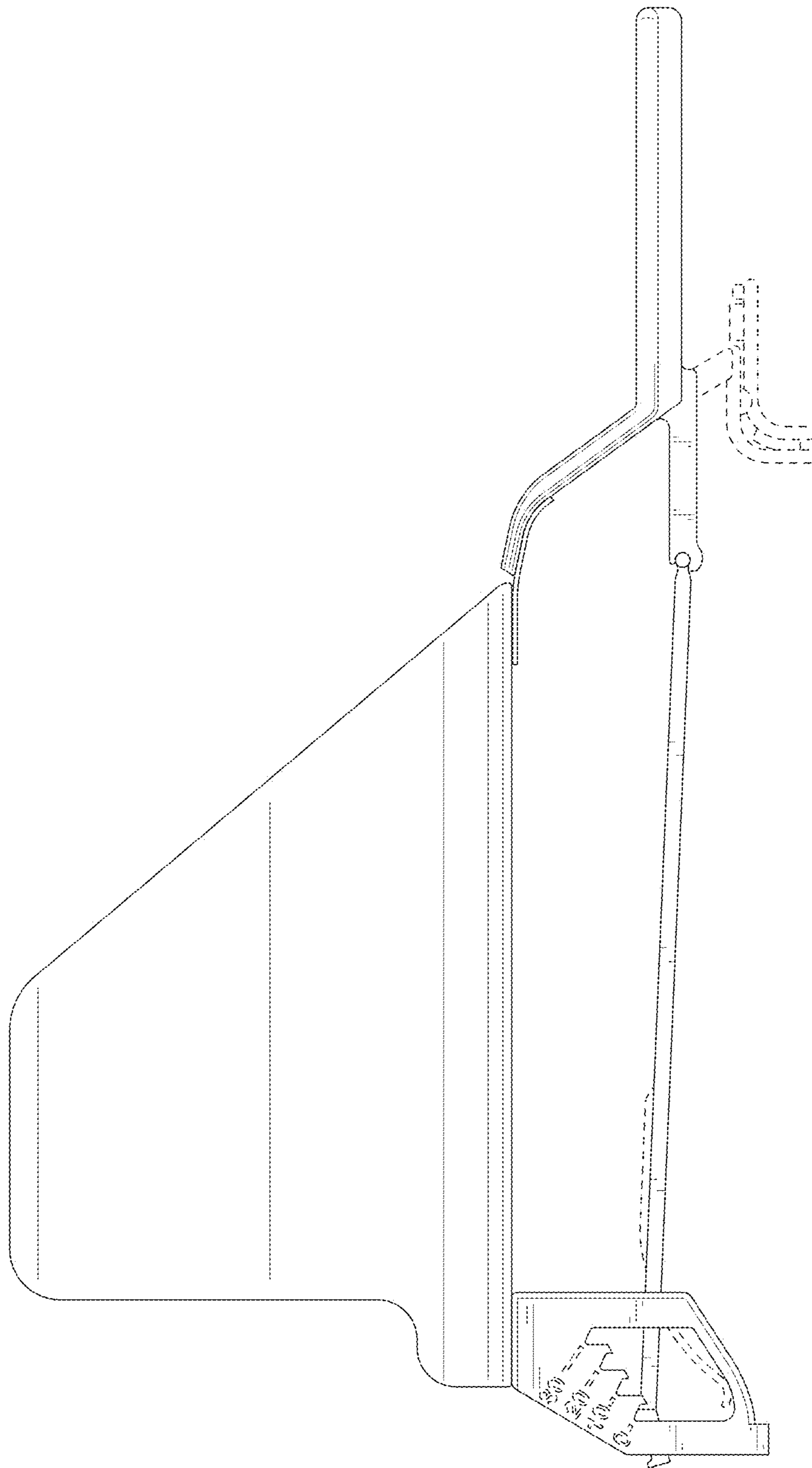


FIG. 6

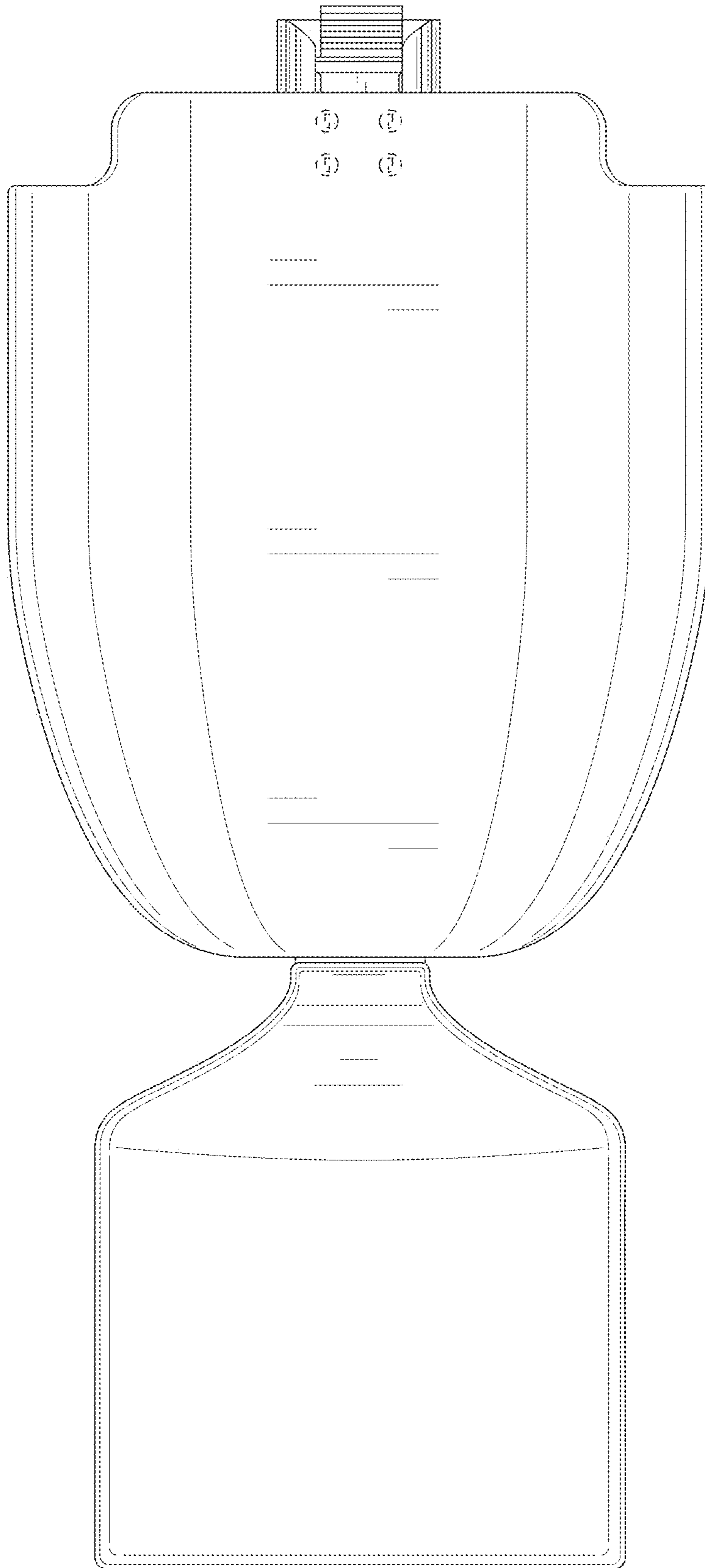


FIG. 7

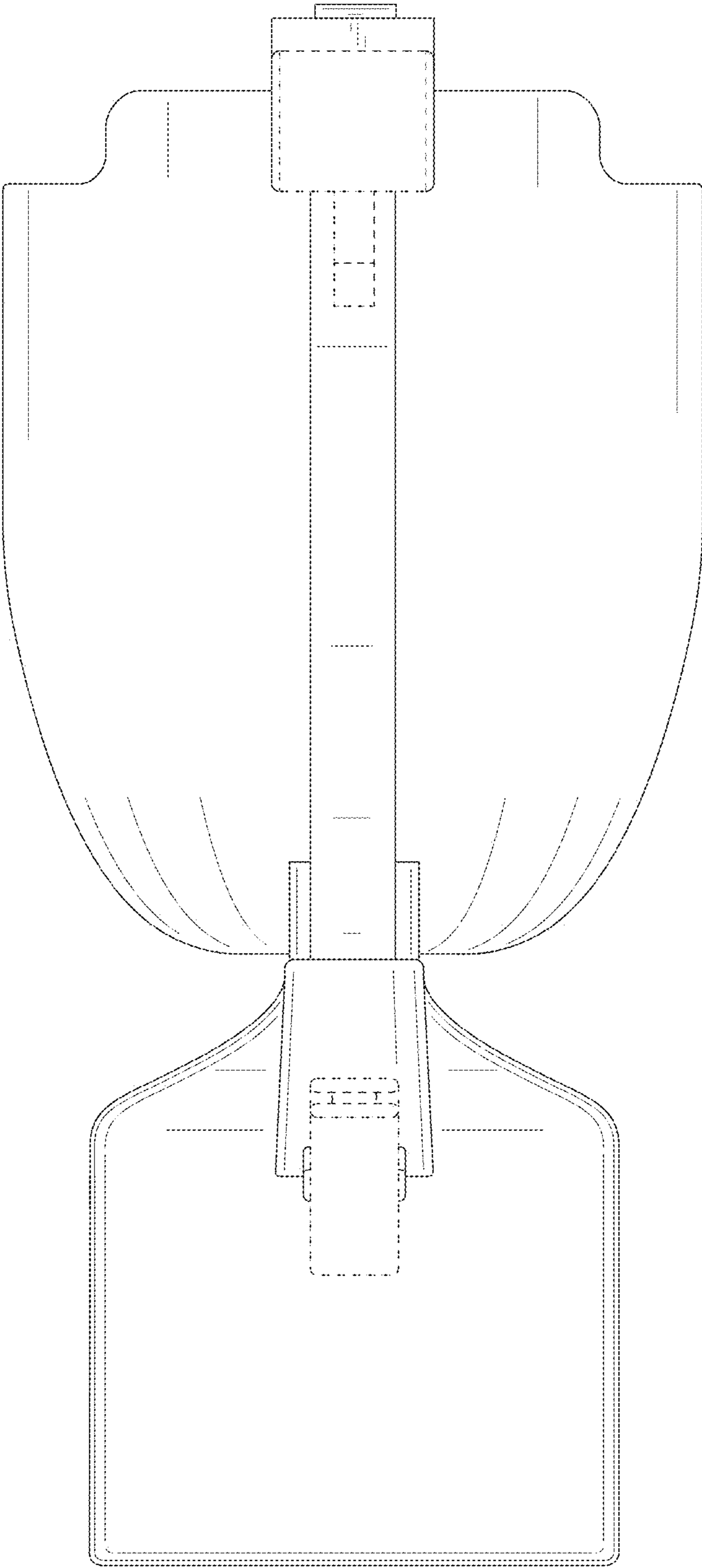


FIG. 8

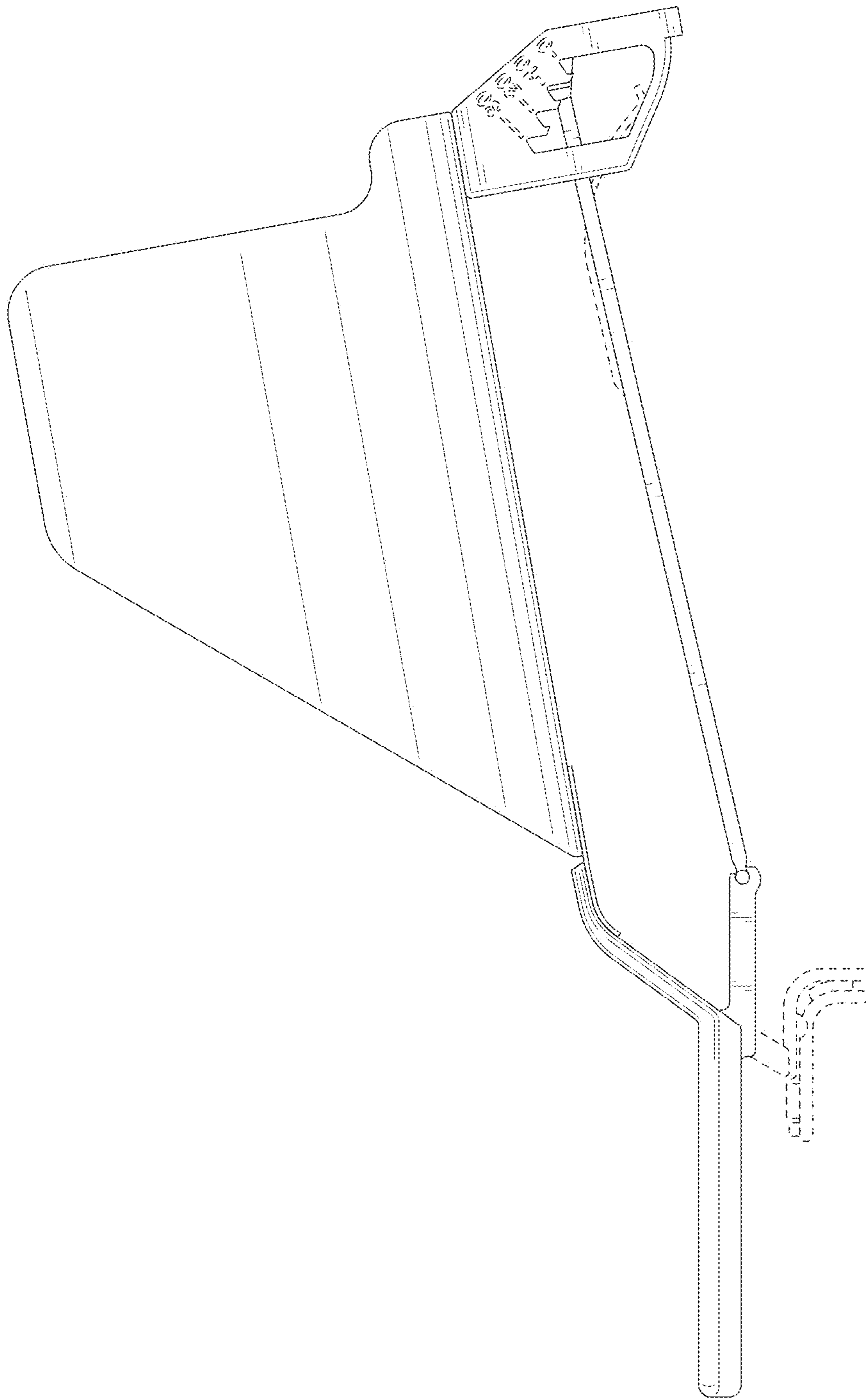


FIG. 9

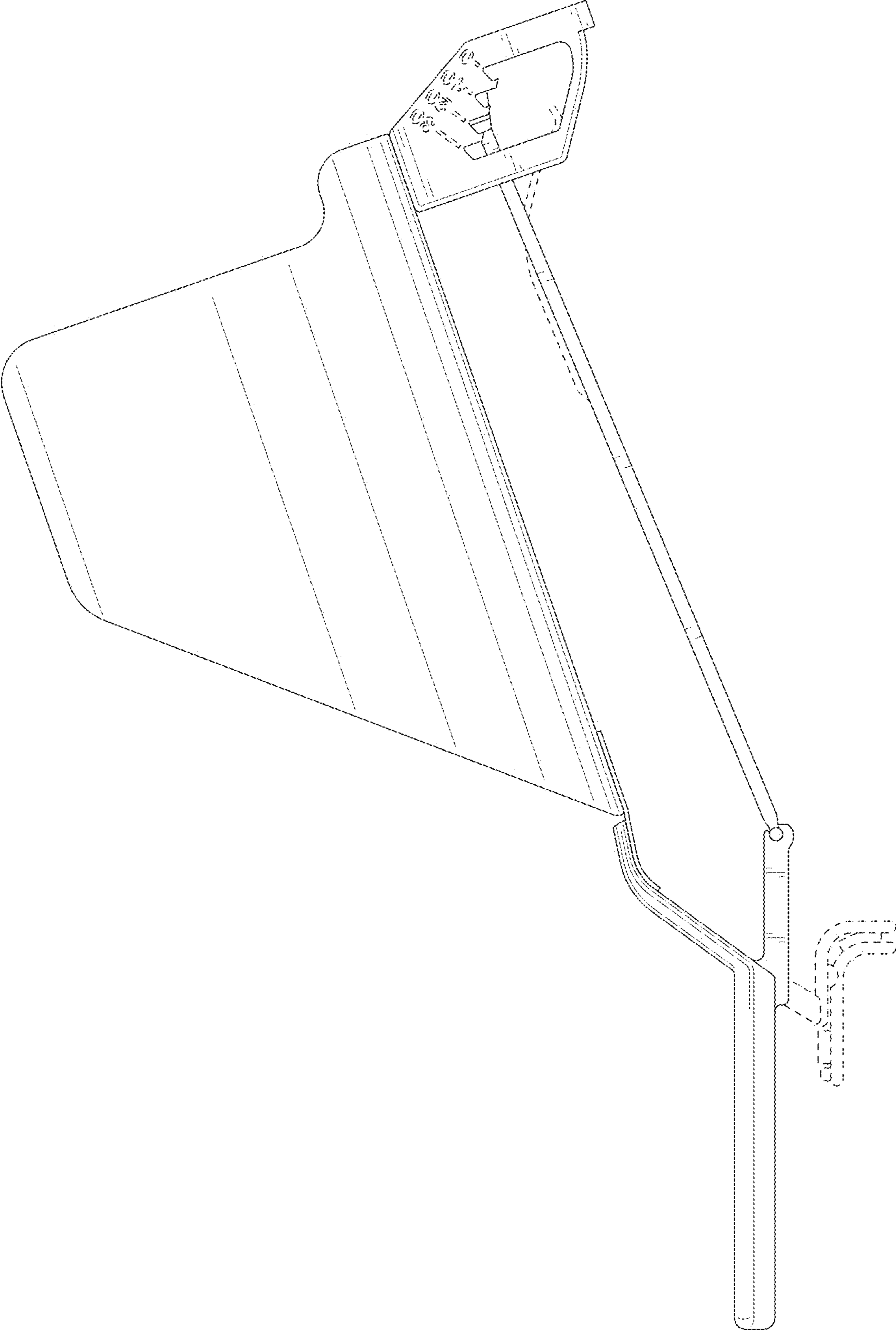


FIG. 10

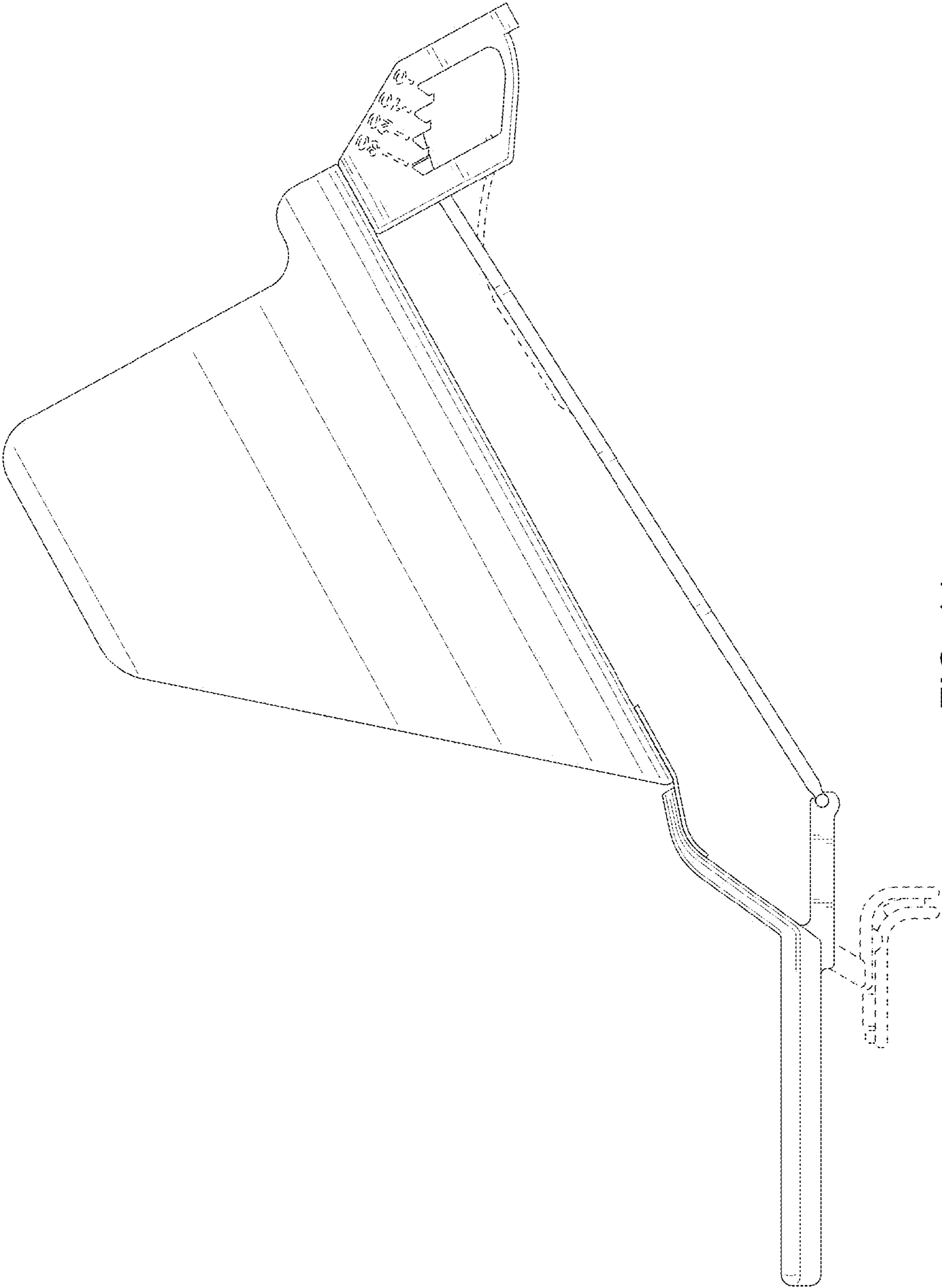


FIG. 11