



US00D970021S

(12) **United States Design Patent** (10) **Patent No.:** **US D970,021 S**
Oishi (45) **Date of Patent:** **** Nov. 15, 2022**

(54) **PROBE FOR AN ULTRASONIC DIAGNOSIS DEVICE**
(71) Applicant: **Canon Medical Systems Corporation**, Otawara (JP)
(72) Inventor: **Koichiro Oishi**, Wako (JP)
(73) Assignee: **Canon Medical Systems Corporation**, Otawara (JP)

D861,884 S * 10/2019 Moon D24/187
D862,710 S * 10/2019 Moon D24/187
D869,665 S * 12/2019 de Jonge D24/187
D870,296 S * 12/2019 de Jonge D24/187
D875,259 S * 2/2020 Moon D24/187
D883,495 S * 5/2020 Cheng D24/187
D887,561 S * 6/2020 Cheng D24/187
D887,562 S * 6/2020 de Jonge D24/186
D896,973 S * 9/2020 Wight D24/186
D910,857 S * 2/2021 Shibayama D24/187
2018/0042580 A1 * 2/2018 Kobayashi A61B 8/546
2020/0196992 A1 * 6/2020 Li A61B 8/4494

(**) Term: **15 Years**

(21) Appl. No.: **29/710,265**

(22) Filed: **Oct. 22, 2019**

(30) **Foreign Application Priority Data**

Apr. 22, 2019 (JP) 2019-008908

(51) **LOC (13) Cl.** **24-02**

(52) **U.S. Cl.**
USPC **D24/187**

(58) **Field of Classification Search**
USPC D24/133, 137, 138, 141, 158, 160, 164, D24/165, 167, 170, 186, 187, 200; D10/57, 60, 78, 80
CPC ... A61B 5/0095; A61B 8/4444; A61B 8/4455; A61B 8/445; A61B 2090/3925; A61B 2017/3413; G01S 7/5208; G01N 29/265
See application file for complete search history.

(56) **References Cited**

U.S. PATENT DOCUMENTS

D489,275 S * 5/2004 Wong D10/57
D681,825 S * 5/2013 Shinohara D24/186
D681,828 S * 5/2013 Shinohara D24/186
D745,686 S * 12/2015 Personelli D24/187
D770,630 S * 11/2016 Nieminen D24/187
D811,606 S * 2/2018 Kitayama D24/187
D831,219 S * 10/2018 Henderson D24/187
D844,148 S * 3/2019 Wilson D24/187

OTHER PUBLICATIONS

SeeMore Abdominal Probe. Online, published date unknown. Retrieved on Apr. 8, 2022 from URL: <https://www.nationalultrasound.com/ultrasound-manufacturers/interson-seemore-usb-probes/abdominal-probe/>.*

* cited by examiner

Primary Examiner — Omeed Agilee
(74) *Attorney, Agent, or Firm* — Finnegan, Henderson, Farabow, Garrett & Dunner, L.L.P.

(57) **CLAIM**

The ornamental design for a probe for an ultrasonic diagnosis device, as shown and described.

DESCRIPTION

FIG. 1 is a perspective view of a probe for an ultrasonic diagnosis device showing my new design; FIG. 2 is a front elevational view thereof; FIG. 3 is a rear elevational view thereof; FIG. 4 is a top plan view thereof; FIG. 5 is a bottom plan view thereof; FIG. 6 is a left side elevational view thereof; and, FIG. 7 is a right-side elevational view thereof. The dot dash dot broken lines depict the boundary of the claim and form no part thereof.

1 Claim, 7 Drawing Sheets

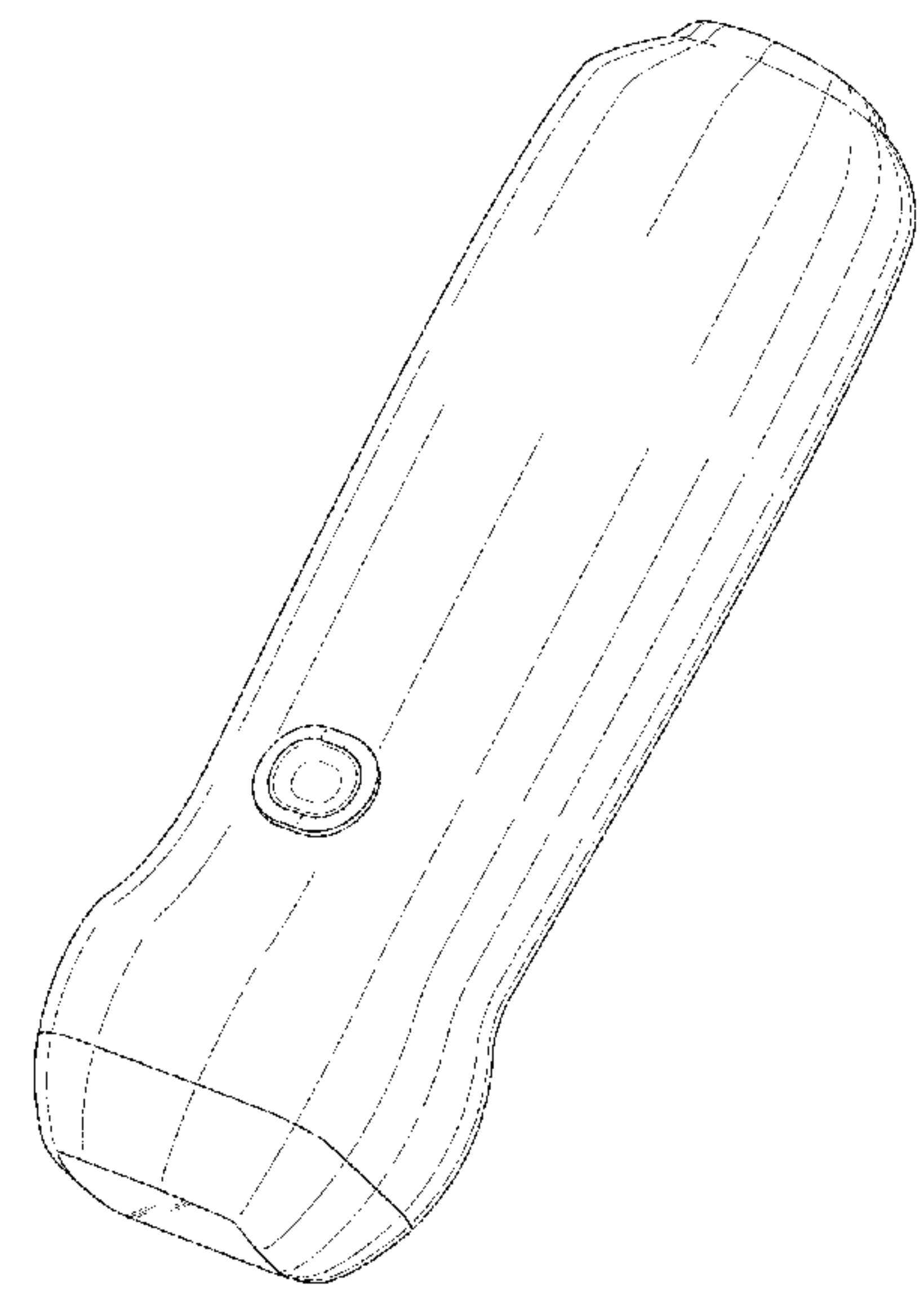


Fig. 1

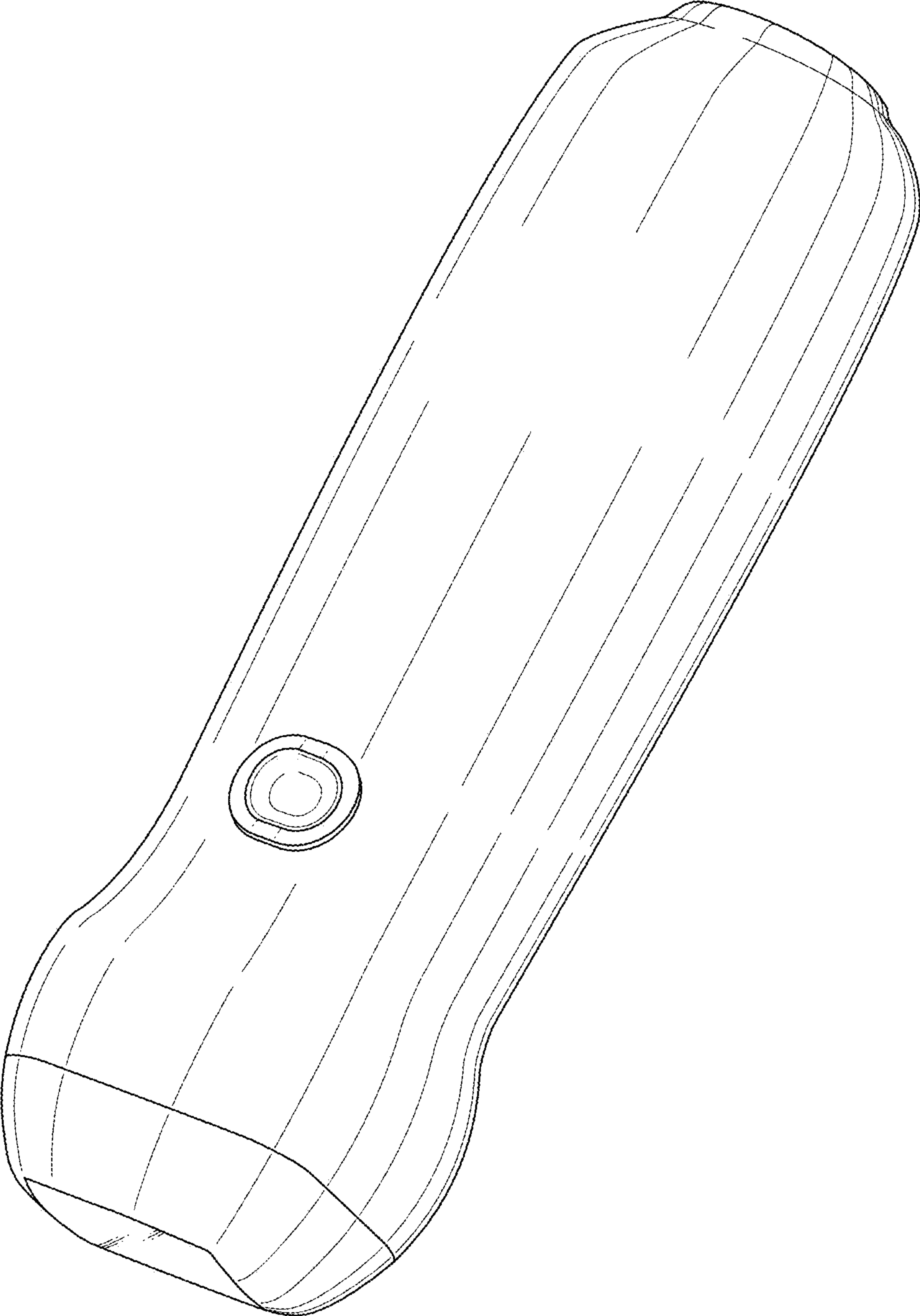


Fig. 2

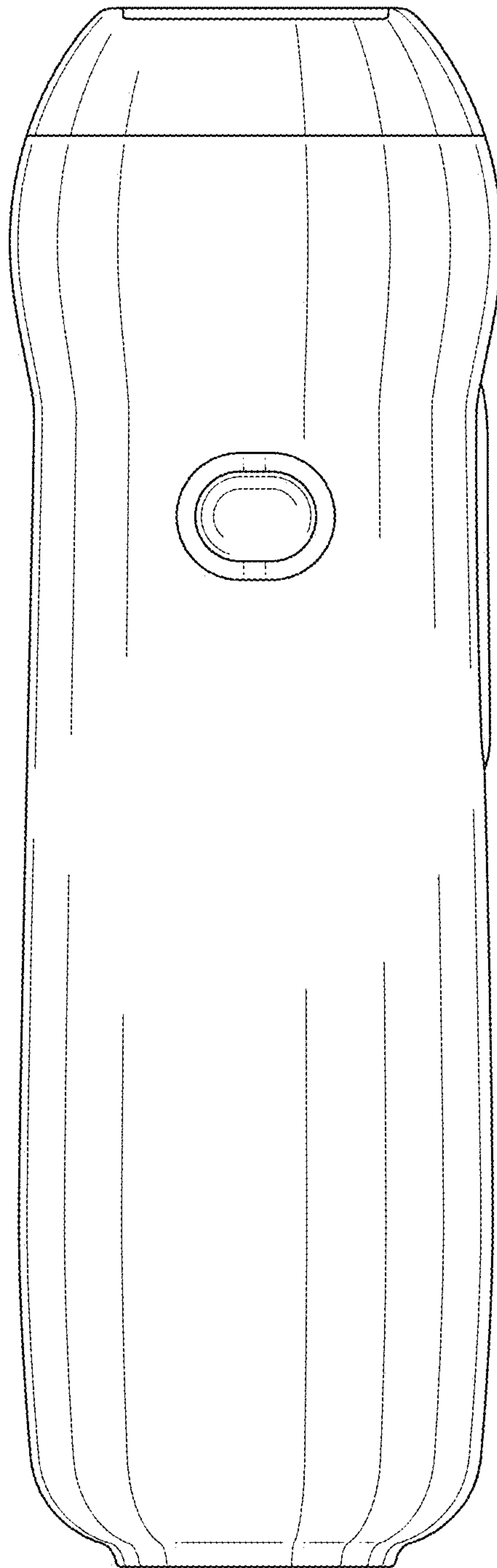


Fig. 3

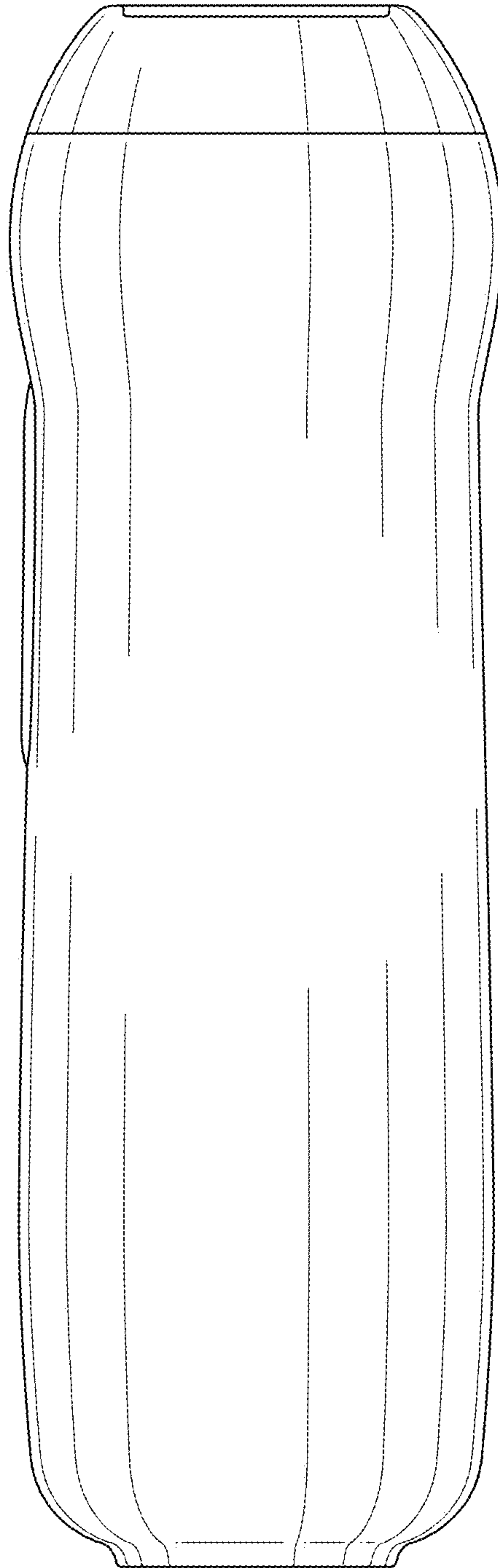


Fig. 4

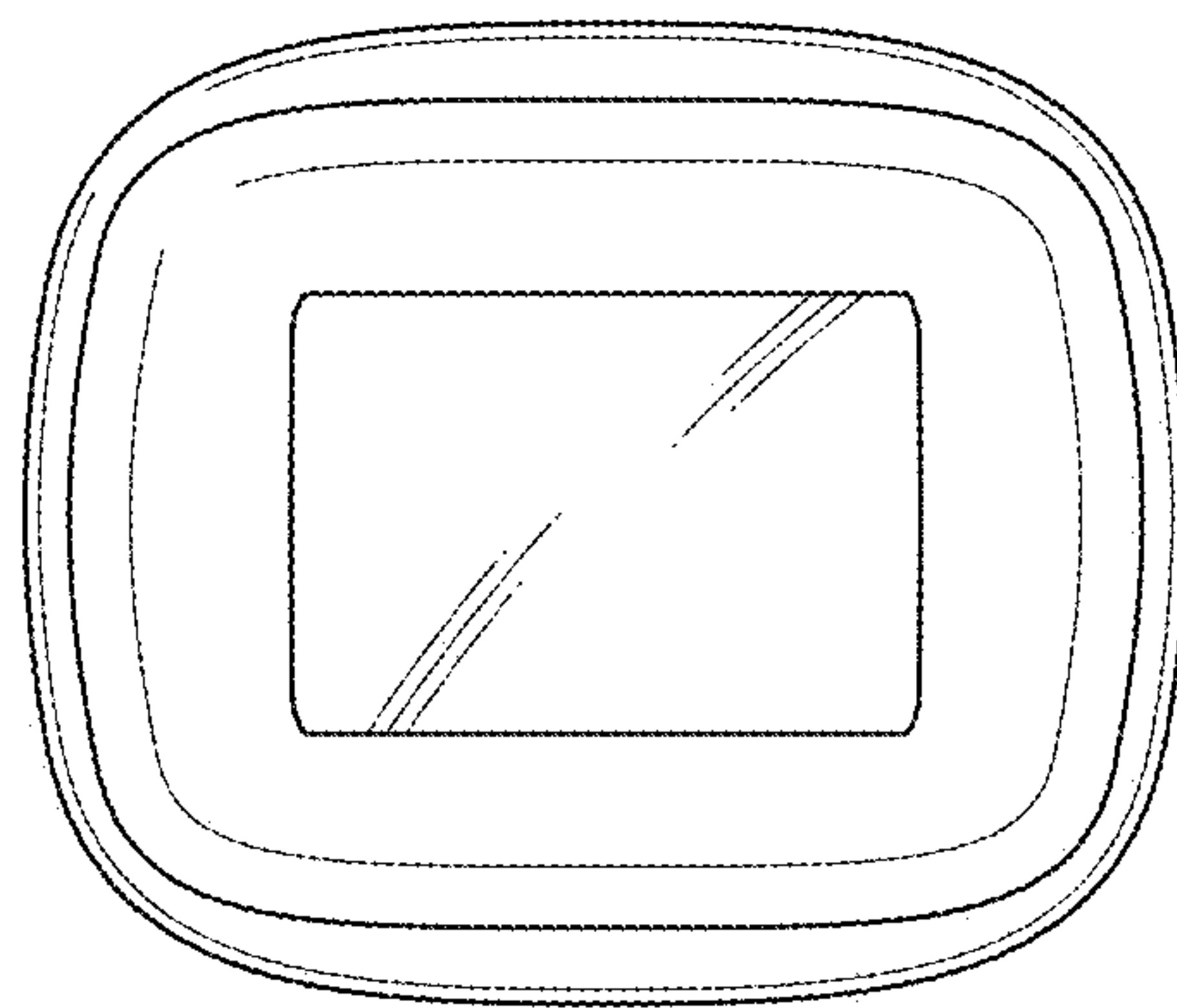


Fig. 5

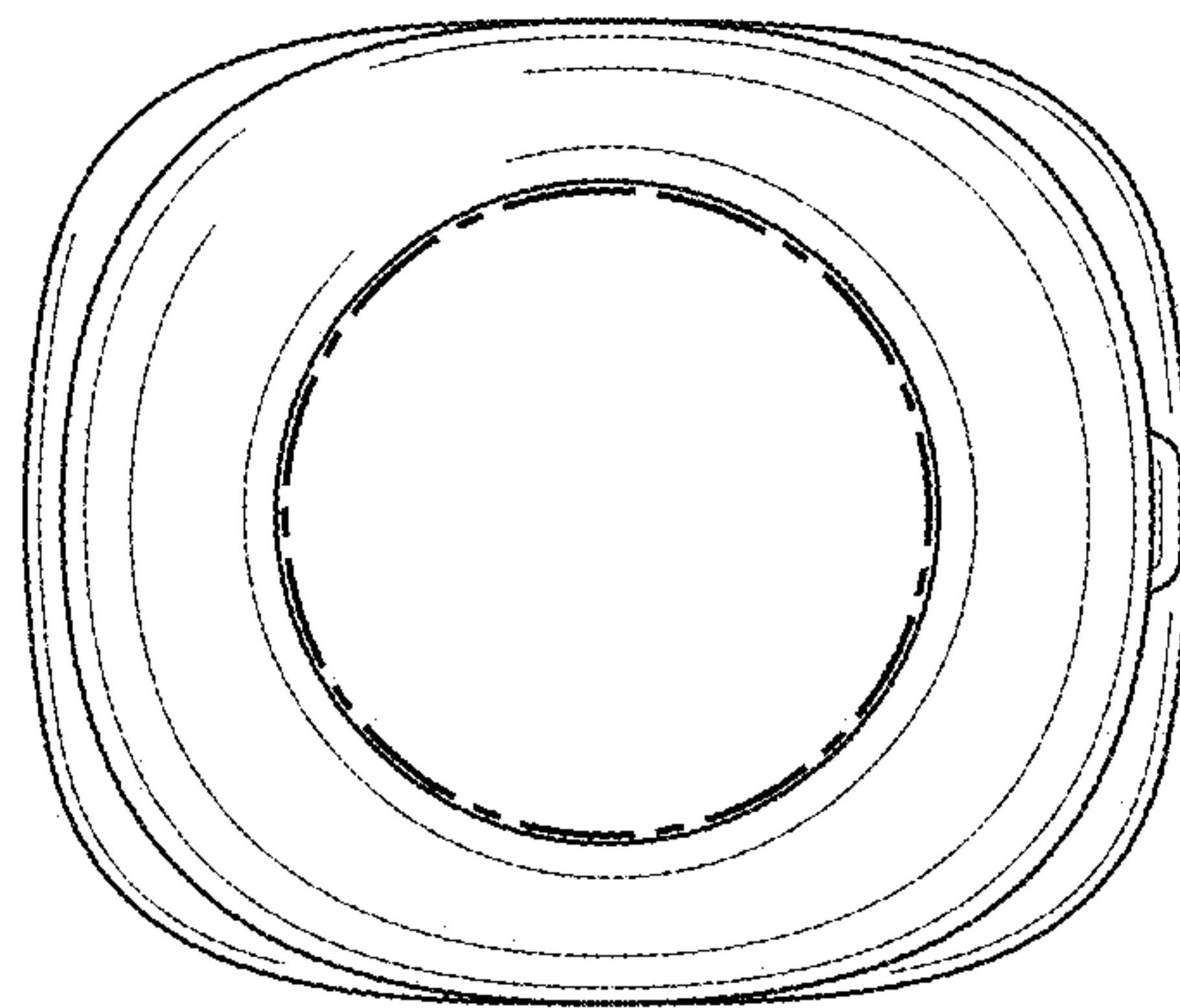


Fig. 6

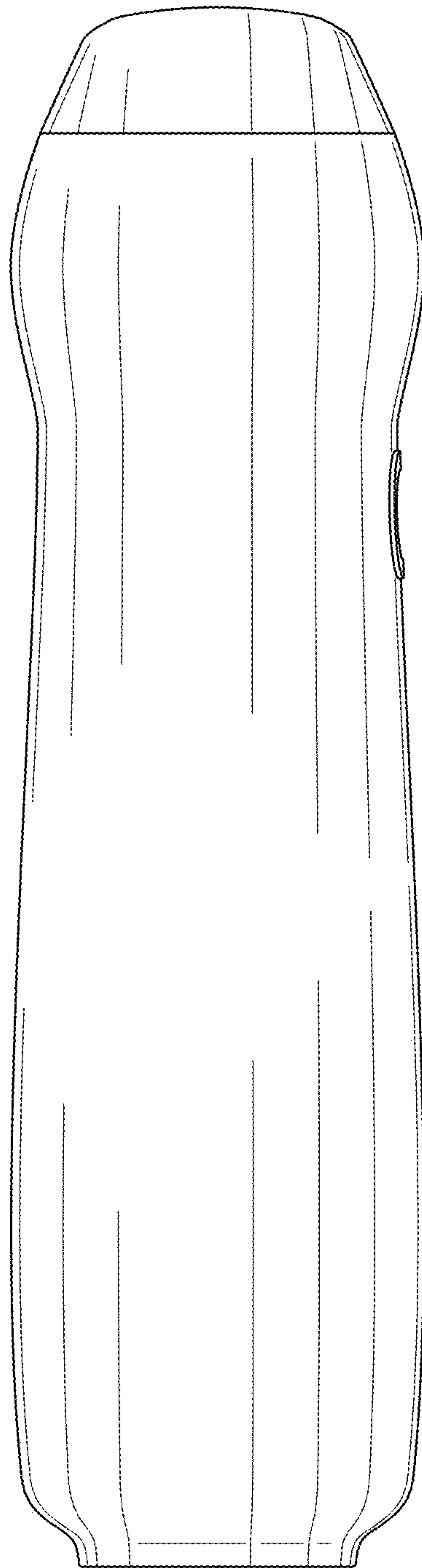


Fig. 7

