



US00D970020S

(12) **United States Design Patent** (10) **Patent No.:** **US D970,020 S**
Jalinous (45) **Date of Patent:** **** *Nov. 15, 2022**

(54) **DOUBLE COIL**
(71) Applicant: **Reza Jalinous**, Winchester, MA (US)
(72) Inventor: **Reza Jalinous**, Winchester, MA (US)
(*) Notice: This patent is subject to a terminal disclaimer.
(**) Term: **15 Years**

10,589,086 B2 * 3/2020 Sacristan A61N 1/40
10,589,117 B1 * 3/2020 Fischell A61N 2/008
D882,092 S * 4/2020 Rheineck D24/158
D886,304 S * 6/2020 Galkina D24/187
2013/0267763 A1 * 10/2013 Schneider A61N 2/008
600/13
2013/0303827 A1 * 11/2013 Feng A61H 23/06
600/9
2013/0317281 A1 * 11/2013 Schneider A61N 2/008
600/13
2014/0039573 A1 * 2/2014 Jindra A61N 1/3603
607/48

(21) Appl. No.: **29/690,605**
(22) Filed: **May 9, 2019**
(51) **LOC (13) Cl.** **24-02**
(52) **U.S. Cl.**
USPC **D24/187**
(58) **Field of Classification Search**
USPC D24/186, 187, 190, 191, 200, 214, 215;
D10/81
CPC A61N 2/008
See application file for complete search history.

OTHER PUBLICATIONS

Air Cooled Curved Double Coil. Online, published date unknown. Retrieved on Jul. 15, 2020 from URL: <https://www.jaltron-coils.com/air-cooled-curved-double-coil>.*

* cited by examiner

Primary Examiner — Omeed Agilee
(74) *Attorney, Agent, or Firm* — Lambert Shortell & Connaughton; David J. Connaughton, Jr.

(56) **References Cited**

U.S. PATENT DOCUMENTS

D112,023 S 11/1938 Martinsson
D318,330 S 7/1991 Doty
D357,069 S 4/1995 Plahn
D442,694 S * 5/2001 Cheng D24/200
D482,453 S * 11/2003 Wade D24/200
D571,920 S 6/2008 Juliana
D607,712 S 1/2010 Kellegghan
D699,359 S 2/2014 Lindekugel
D716,457 S * 10/2014 Brefka D24/186
D735,873 S * 8/2015 Brefka D24/200
D742,535 S 11/2015 Wu
D770,635 S 11/2016 Cole
D770,992 S 11/2016 Tauchi
D776,822 S 1/2017 McKinley
D810,952 S * 2/2018 Hsu D24/200
D813,405 S * 3/2018 Ho D24/200
D861,905 S * 10/2019 Ho D24/200

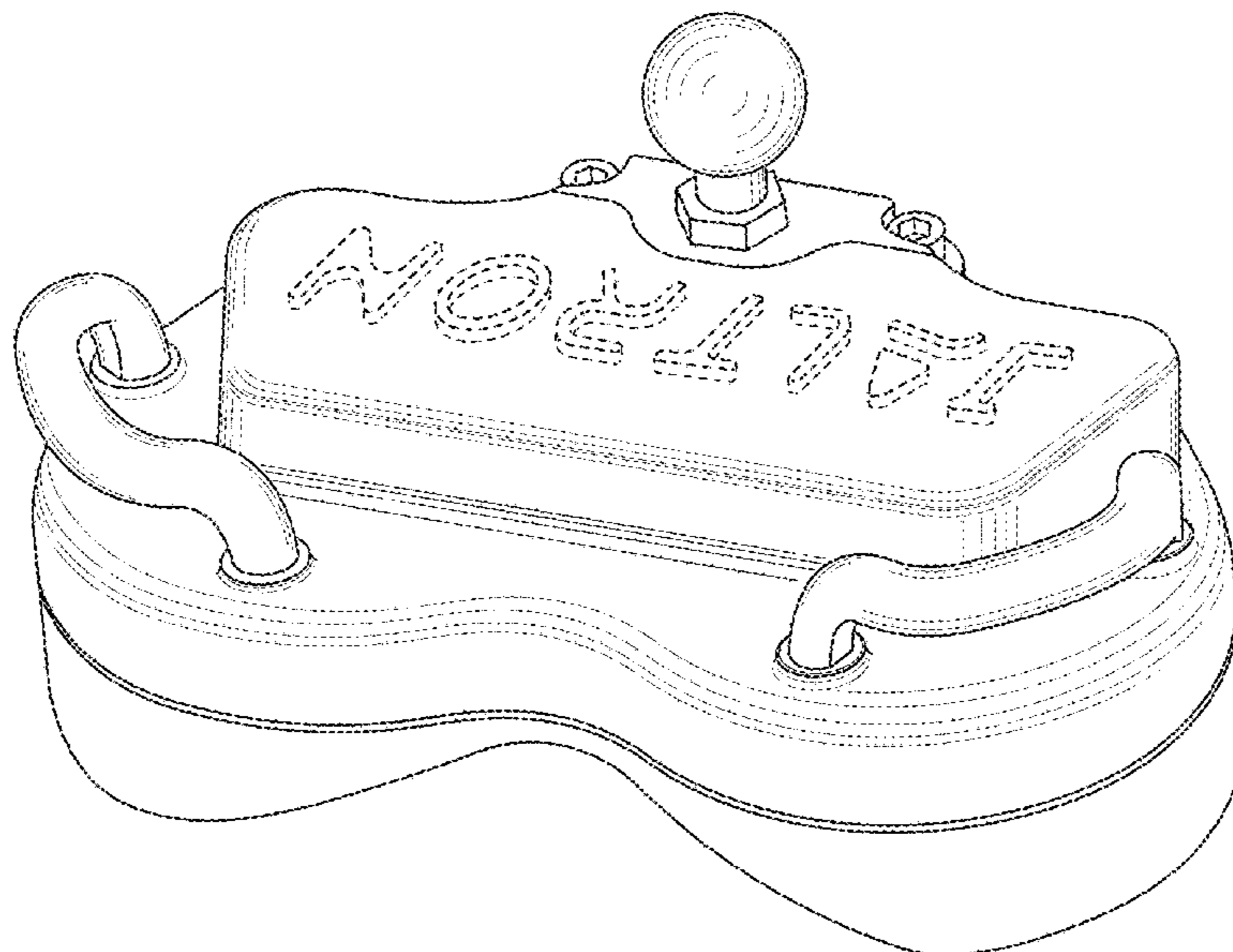
(57) **CLAIM**

The ornamental design for a double coil, as shown and described.

DESCRIPTION

FIG. 1 is an isometric view of the front of a double coil, which embodies my design;
FIG. 2 is a side view of the double coil;
FIG. 3 is a side view of the double coil;
FIG. 4 is a top plan view of the double coil;
FIG. 5 is a bottom plan view of the double coil;
FIG. 6 is a side view of the double coil; and,
FIG. 7 is a side view of the double coil.
The broken lines depict portions of the double coil that form no part of the claimed design.

1 Claim, 4 Drawing Sheets



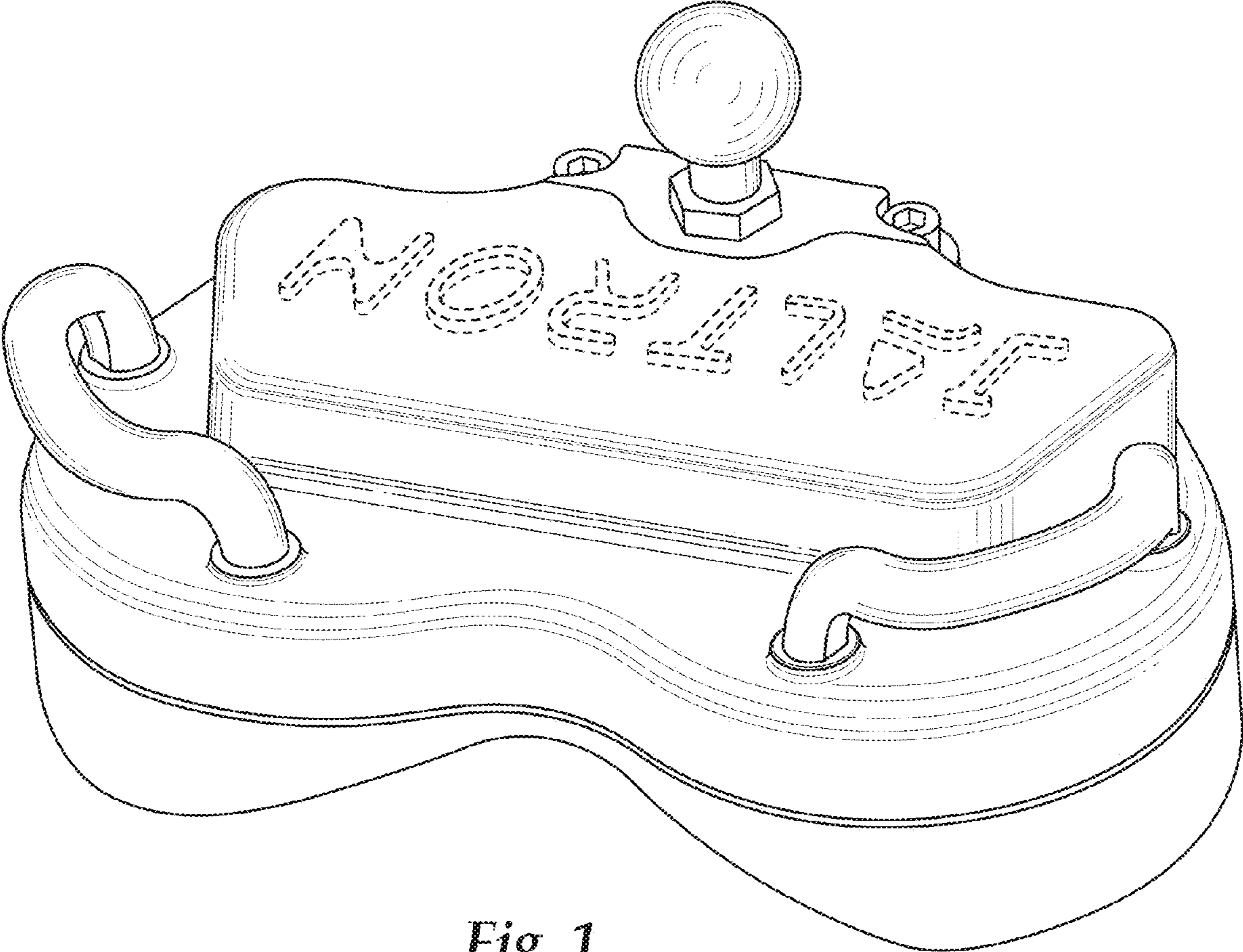


Fig. 1

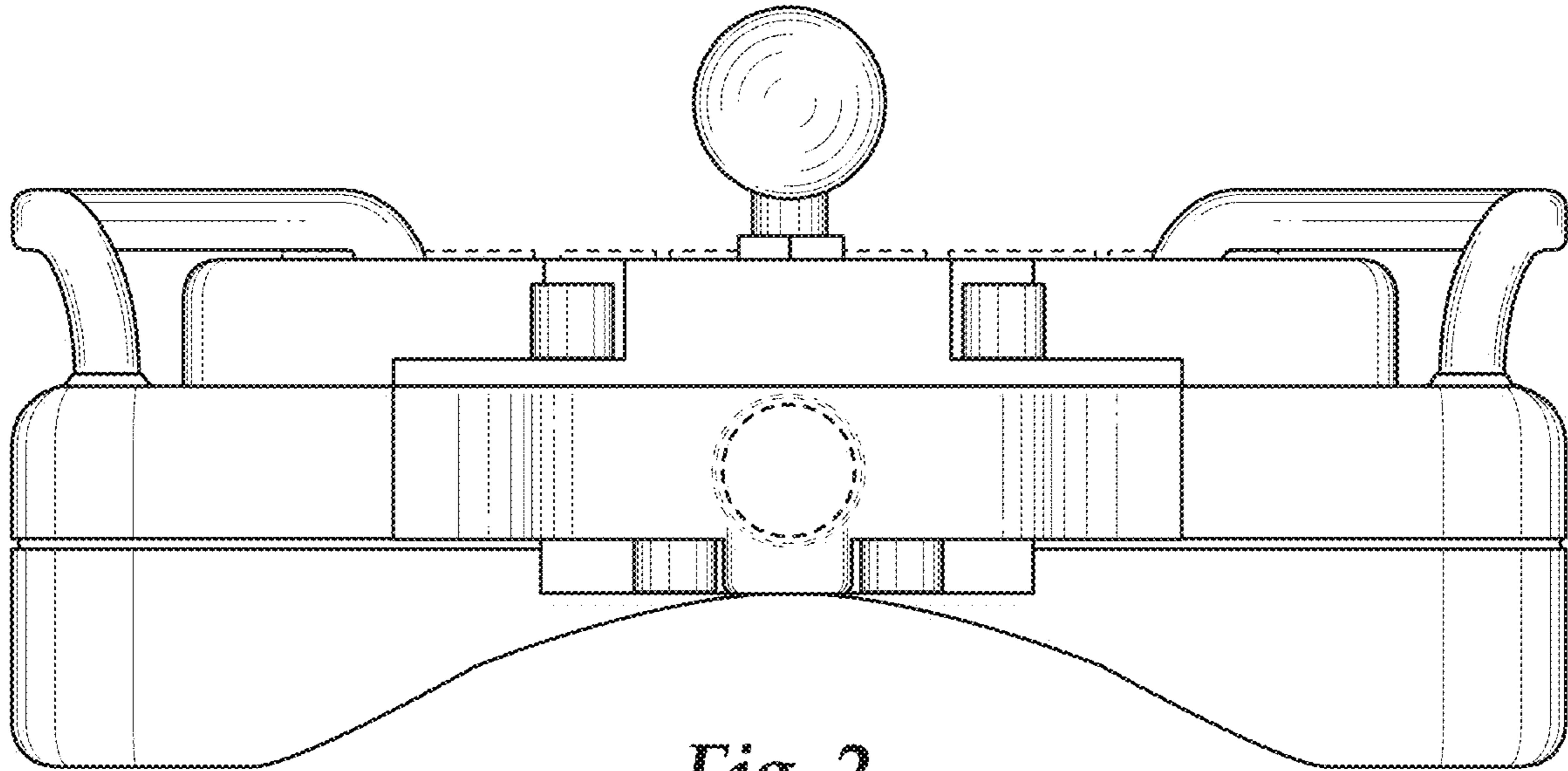


Fig. 2

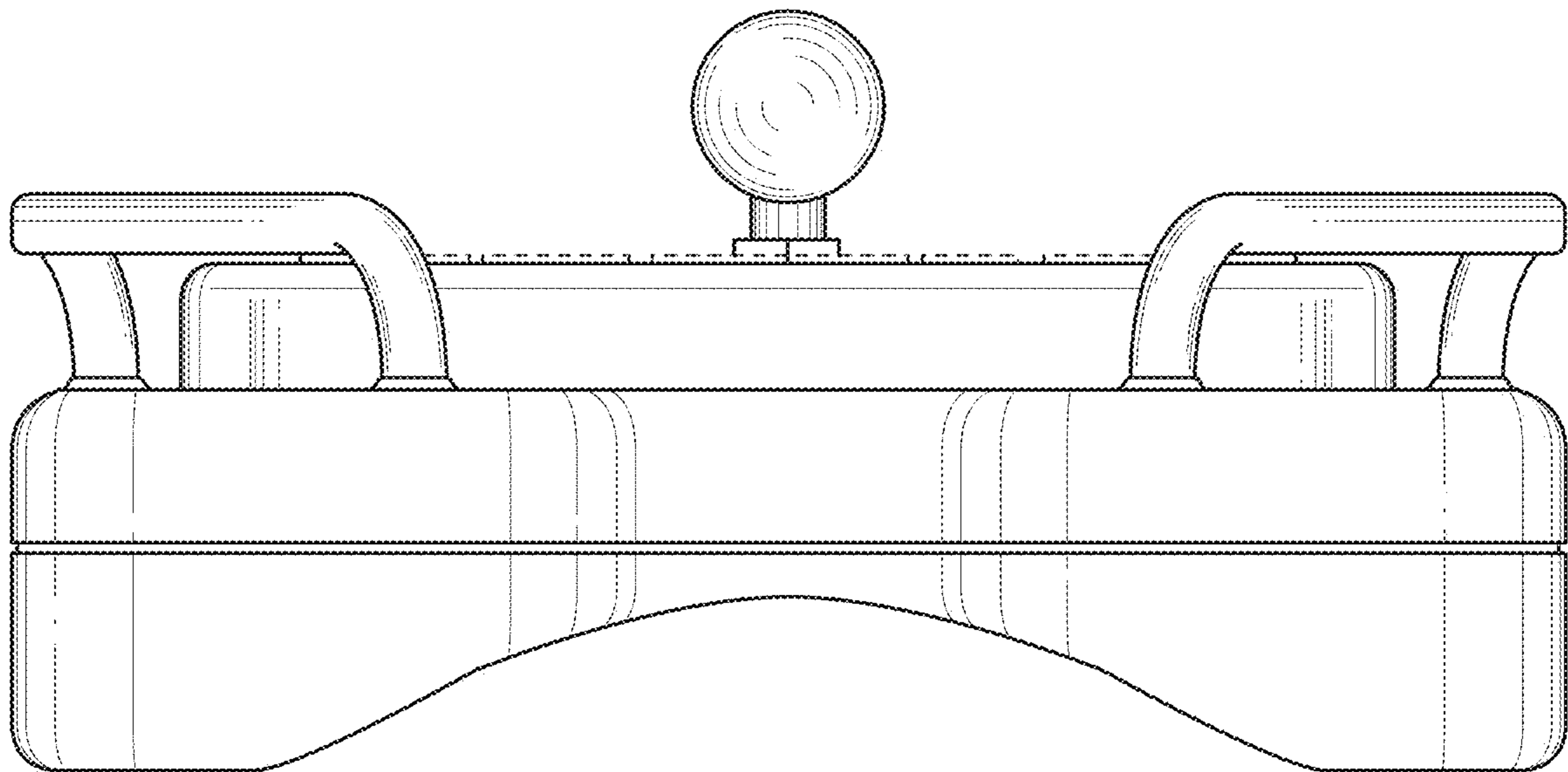


Fig. 3

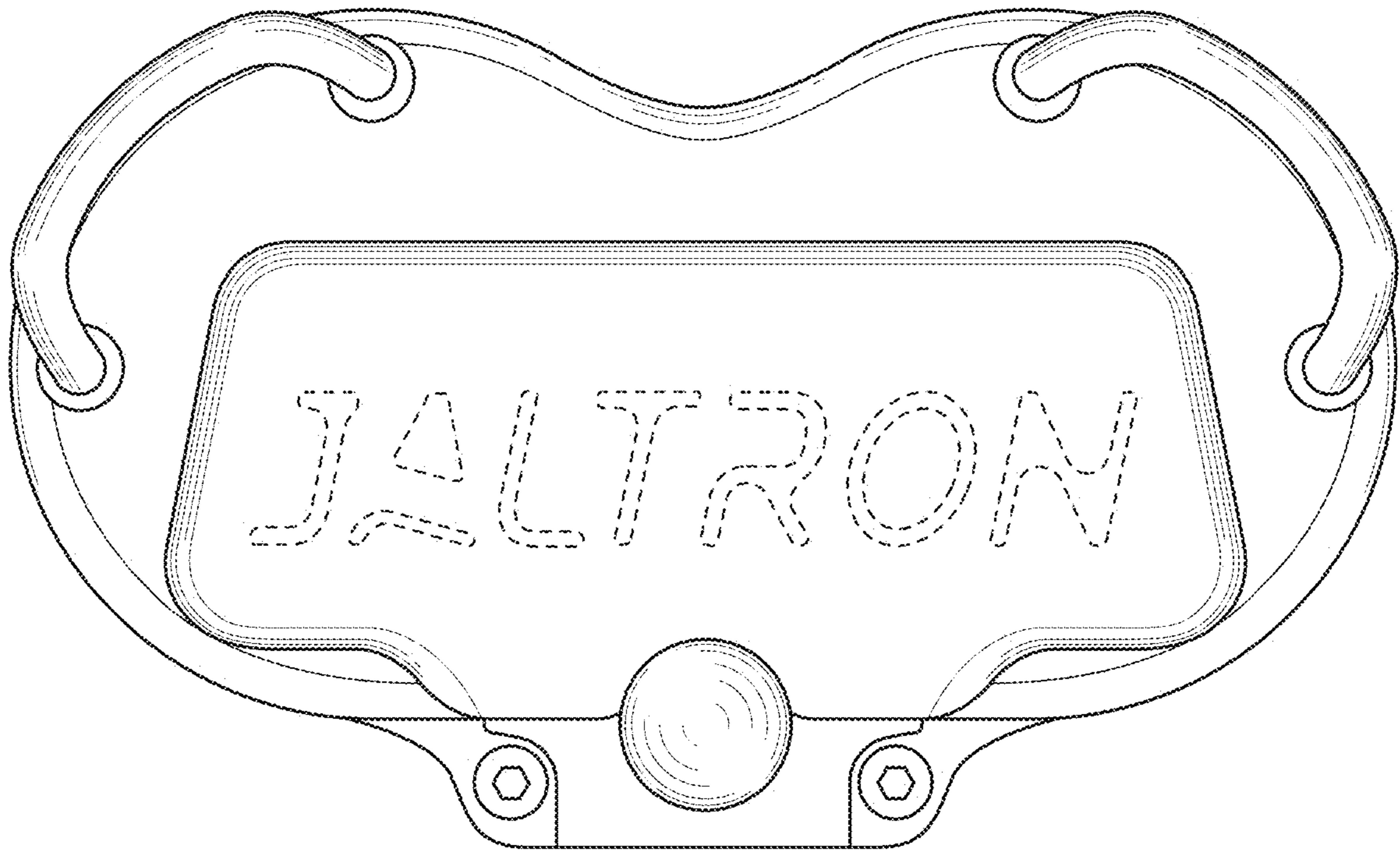


Fig. 4

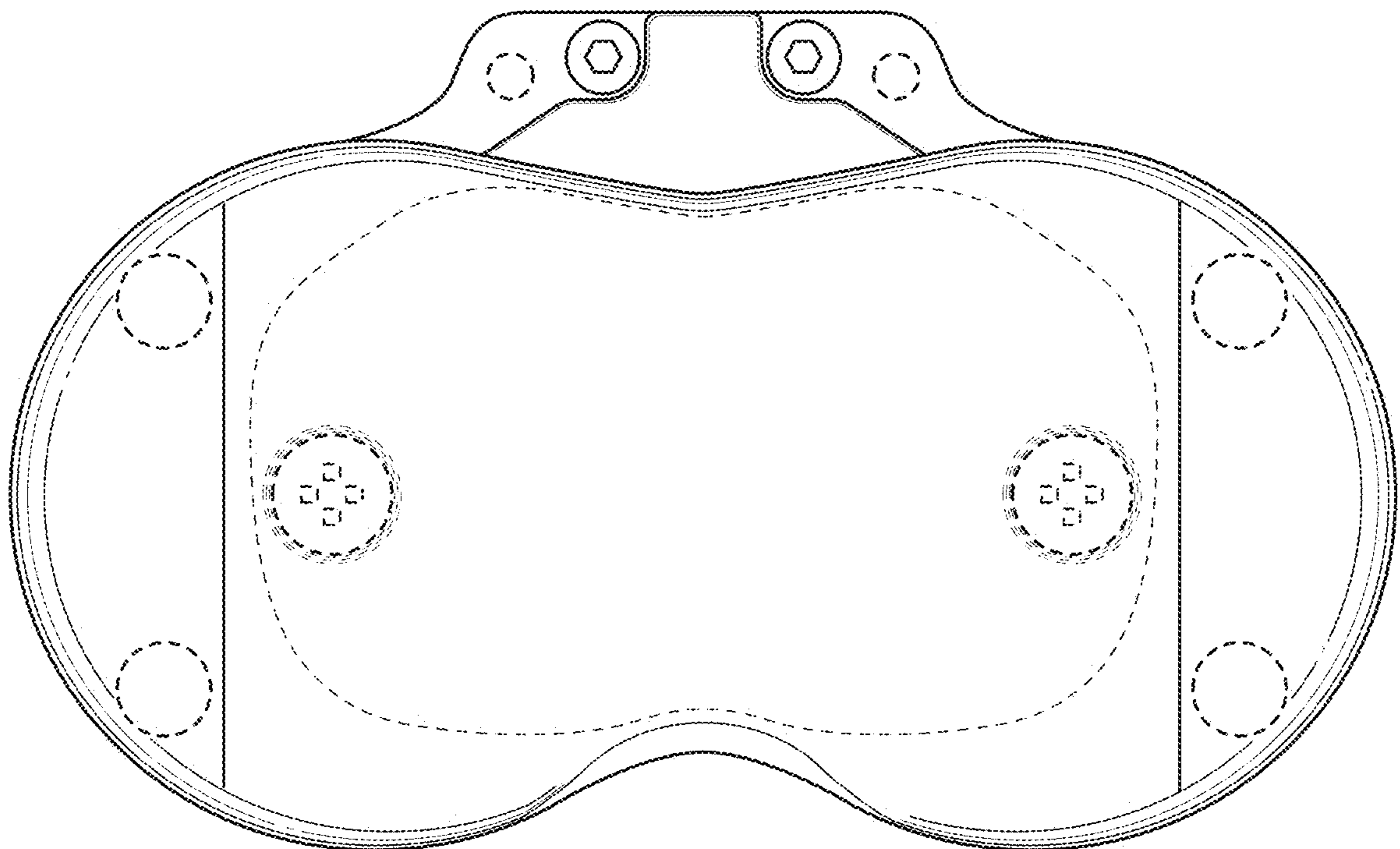


Fig. 5

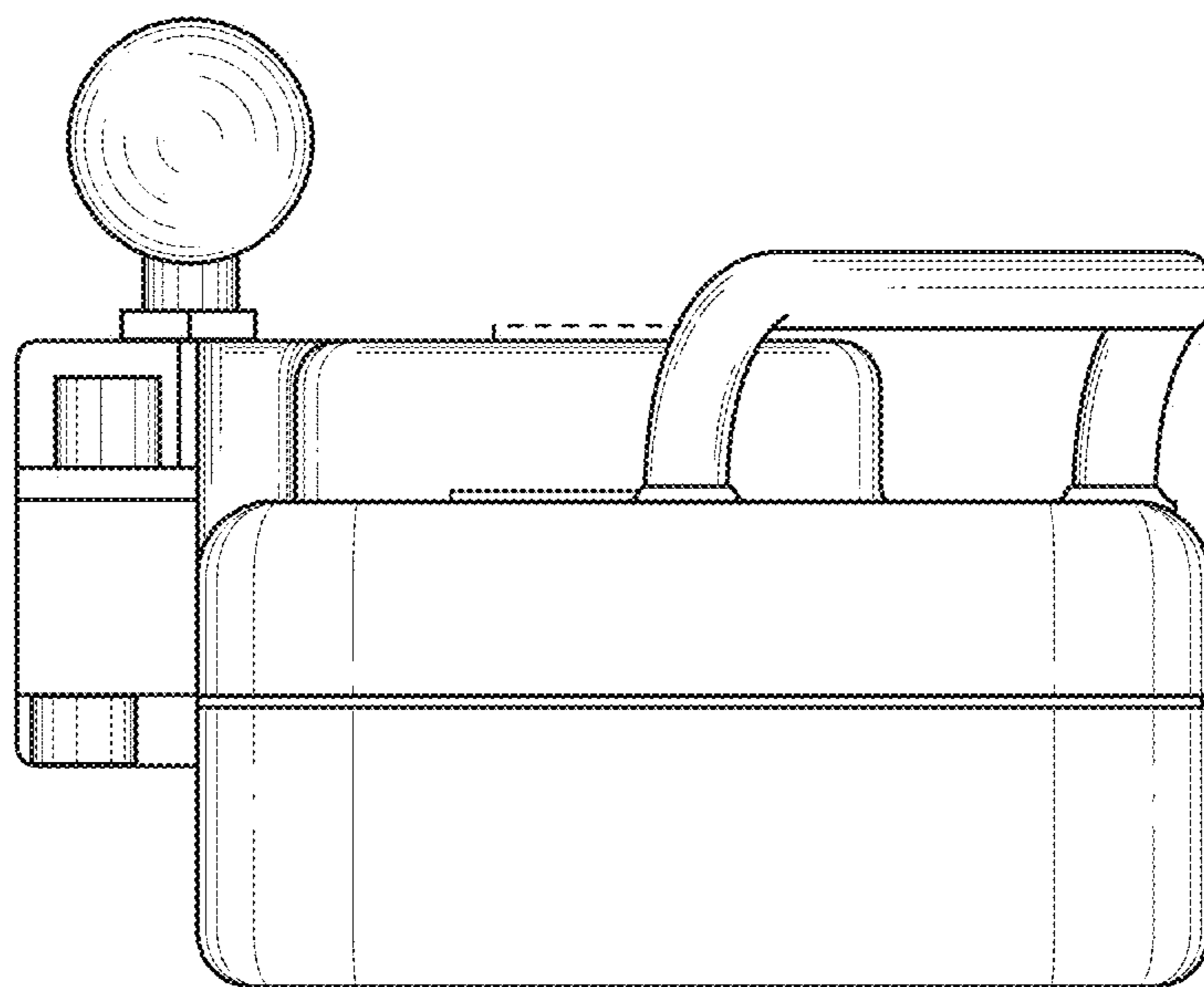


Fig. 6

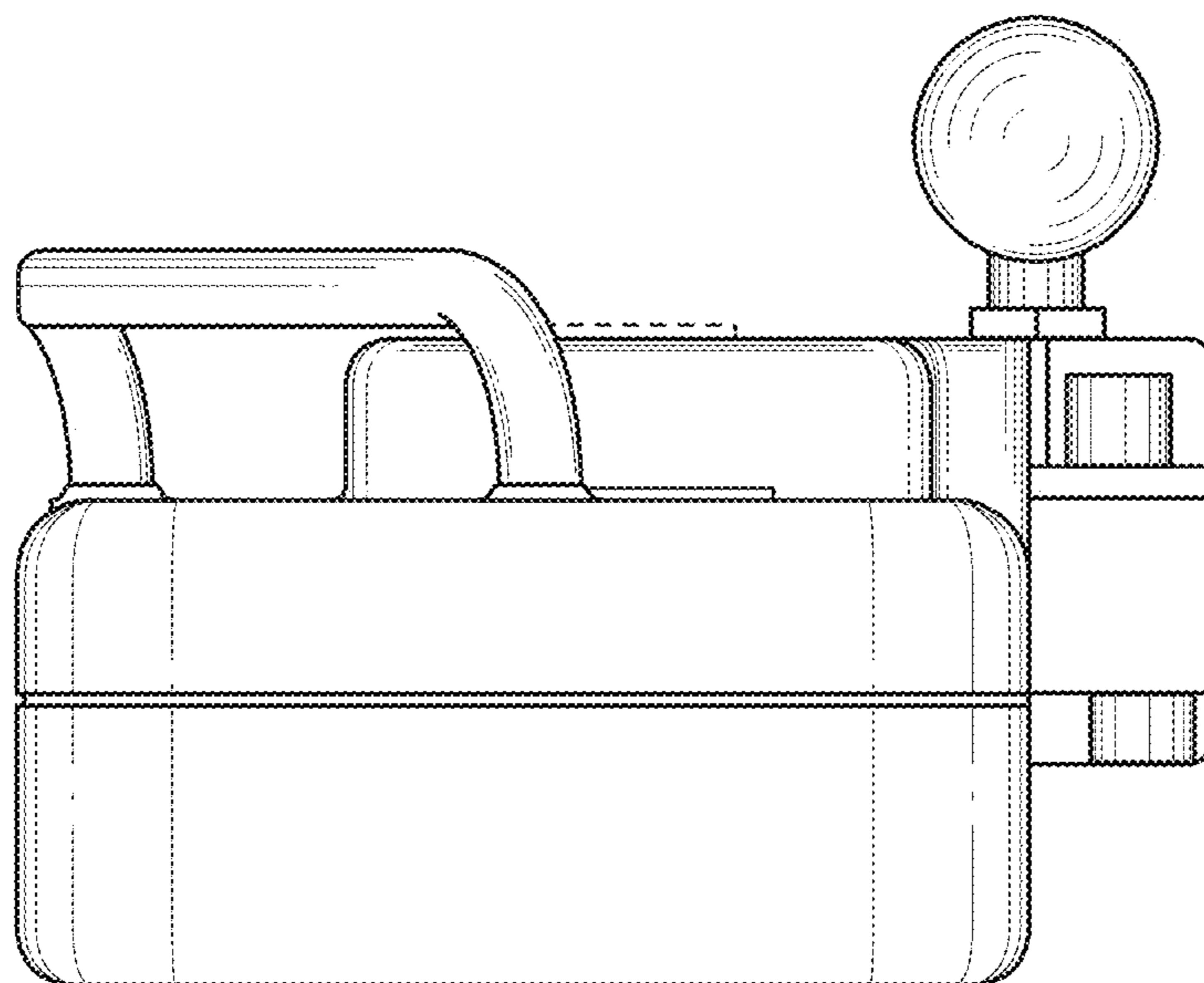


Fig. 7