



US00D970018S

(12) **United States Design Patent** (10) **Patent No.:** **US D970,018 S**  
**Soosalu et al.** (45) **Date of Patent:** **\*\* Nov. 15, 2022**

(54) **SENSOR**

(71) Applicant: **GE Precision Healthcare LLC**,  
Milwaukee, WI (US)

(72) Inventors: **Milvi Soosalu**, Espoo (FI); **Kristina M. Leppälä**, Uusimaa (FI)

(73) Assignee: **GE Precision Healthcare LLC**,  
Milwaukee, WI (US)

(\*\*) Term: **15 Years**

(21) Appl. No.: **29/754,548**

(22) Filed: **Oct. 12, 2020**

(51) **LOC (13) Cl.** ..... **24-02**

(52) **U.S. Cl.**  
USPC ..... **D24/186**; D24/187

(58) **Field of Classification Search**  
USPC ..... D24/107, 164–169, 185–187, 200;  
D10/30, 32, 38, 98, 70, 75, 52, 57;  
D14/344  
CPC ..... A61B 5/0008; A61B 5/01; A61B 5/259;  
A61B 5/6813; A61B 5/6823; A61B  
5/6832; A61B 5/6833  
See application file for complete search history.

(56) **References Cited**

U.S. PATENT DOCUMENTS

6,625,481	B2	9/2003	Bennett et al.	
D655,014	S *	2/2012	Gilsdorf	D24/187
D669,186	S *	10/2012	Gozani	D24/187
D669,187	S *	10/2012	Gozani	D24/187
D675,739	S *	2/2013	McCormack	D24/168
D783,832	S *	4/2017	Dascoli	D24/167
D851,260	S *	6/2019	Cryan	D24/187
D860,465	S *	9/2019	Lovell	D24/187
D905,858	S *	12/2020	Lovell	D24/187
D926,323	S *	7/2021	Dascoli	D24/168
D927,699	S *	8/2021	Al-Ali	D24/187

(Continued)

Primary Examiner — Anhdao Doan

(74) Attorney, Agent, or Firm — McCoy Russell LLP

(57) **CLAIM**

The ornamental design for a sensor, as shown and described.

**DESCRIPTION**

FIG. 1 is a top perspective view of a sensor according to the claimed design.

FIG. 2 is a bottom perspective view of the sensor.

FIG. 3 is a top view of the sensor.

FIG. 4 is a bottom view of the sensor.

FIG. 5 is a left side view of the sensor.

FIG. 6 is a right side view of the sensor.

FIG. 7 is an enlarged rear view of the sensor.

FIG. 8 is an enlarged front view of the sensor.

FIG. 9 is an enlarged view of the encircled portion of FIG. 6.

FIG. 10 is an enlarged view of the encircled portion of FIG. 3.

FIG. 11 is an enlarged view of the encircled portion of FIG. 3; and,

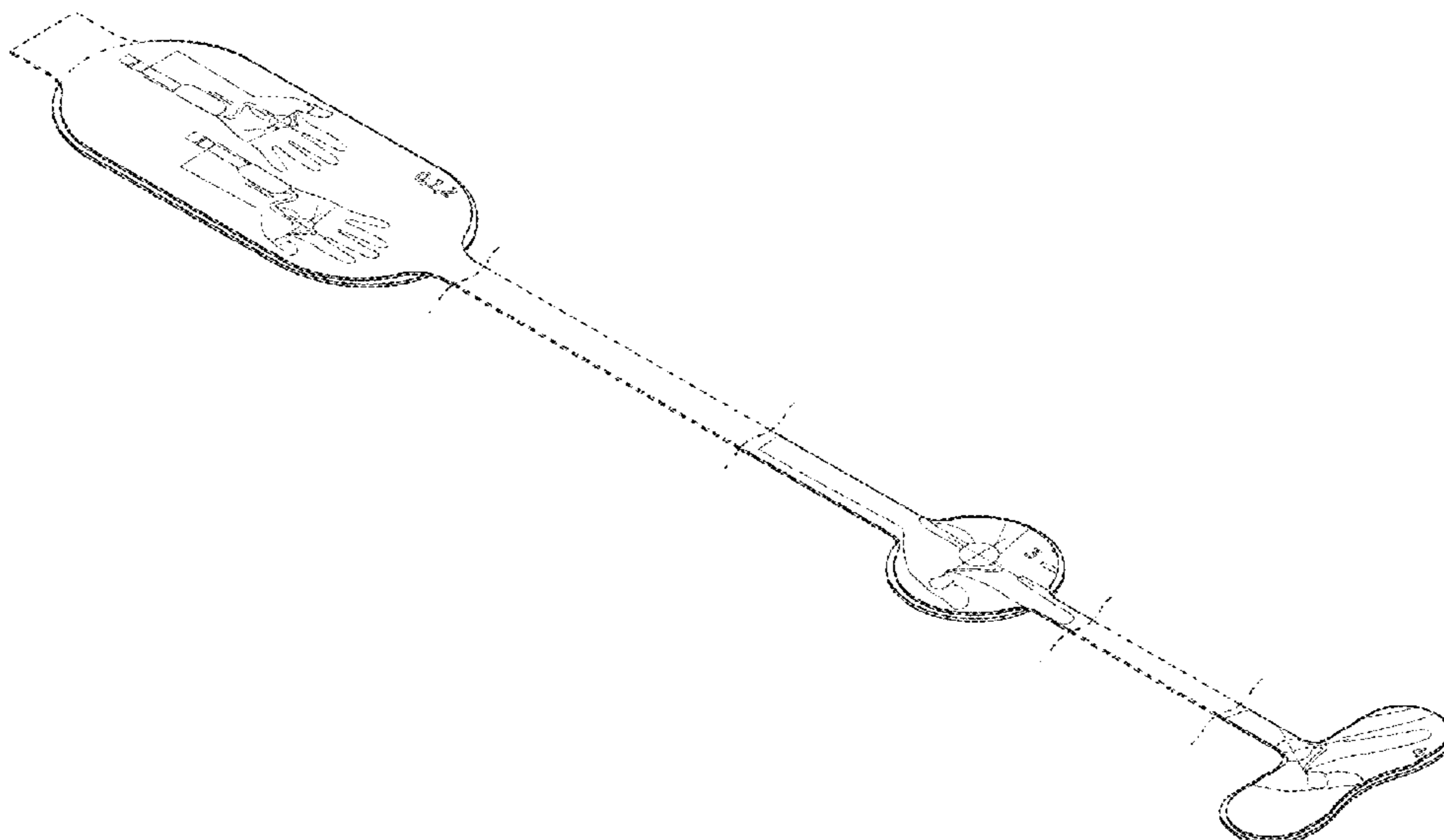
FIG. 12 is an enlarged view of the encircled portion of FIG. 3.

The bold dashed lines in FIGS. 1, 3, and 10-12 illustrate crosshair features of the sensor that are claimed. The other broken lines in the drawings illustrate portions of the sensor that form no part of the claimed design.

The dash-dot-dash broken lines in the drawings indicate boundaries of the claimed design and form no part thereof. The dash-dot-dot broken lines in FIGS. 3, 6, and 9-12 indicating the encircled portions form no part of the claimed design.

The sensor is shown with symbolic breaks in FIGS. 1-6 and 11-12, and any portion of the sensor between the dash-dash-dot break lines forms no part of the claimed design. The dash-dash-dot break lines form no part of the claimed design.

**1 Claim, 12 Drawing Sheets**



(56)

**References Cited**

U.S. PATENT DOCUMENTS

D932,019 S *	9/2021	Royea .....	D24/168
2012/0143032 A1	6/2012	Cyphery et al.	
2014/0235991 A1	8/2014	Gadsby	
2015/0238106 A1	8/2015	Lappalainen et al.	
2018/0146918 A1*	5/2018	Kim .....	A61B 5/369
2019/0192051 A1	6/2019	Savinen	
2021/0204879 A1*	7/2021	Gelfinan .....	A61B 5/282

\* cited by examiner

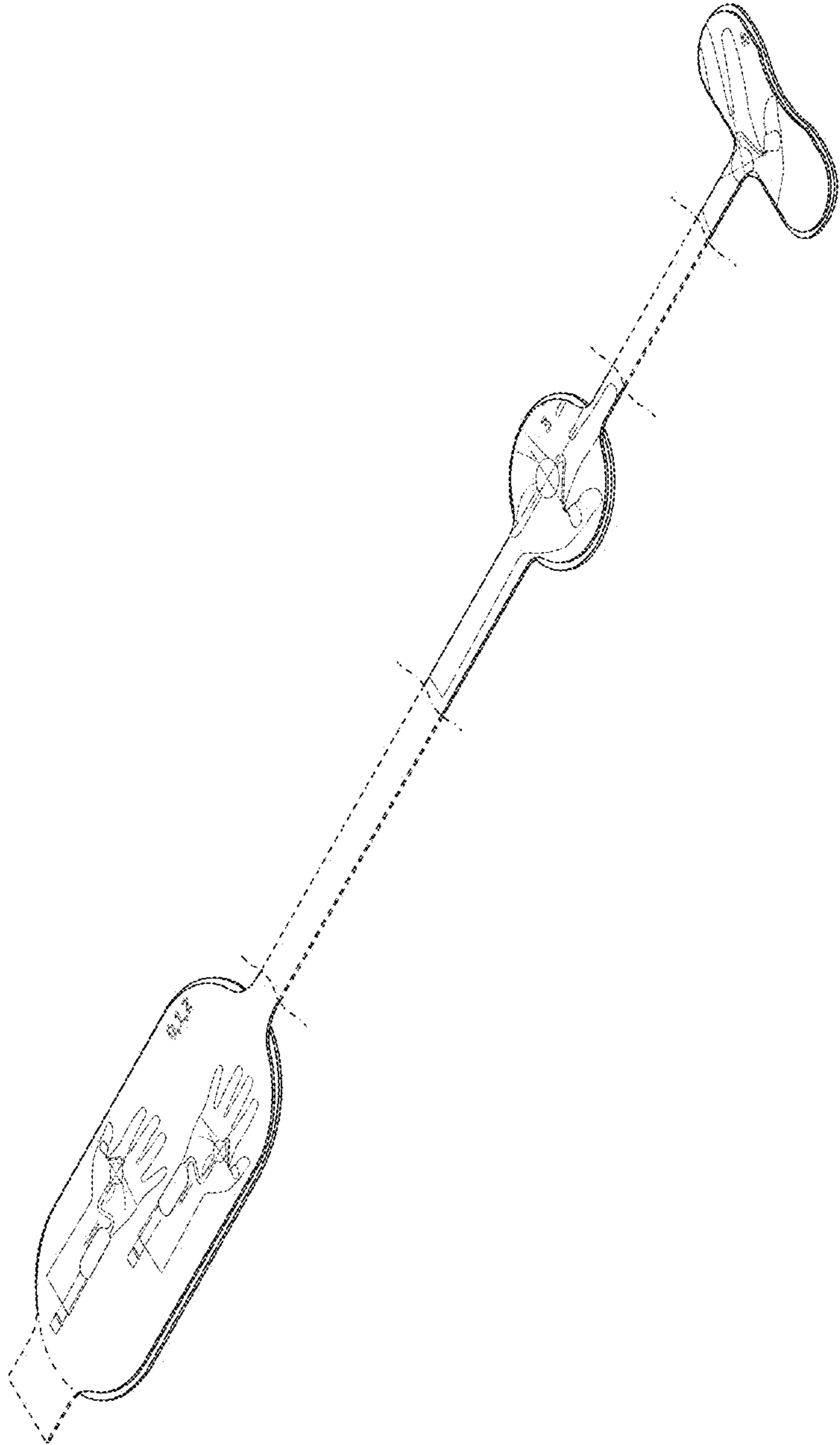


FIG. 1

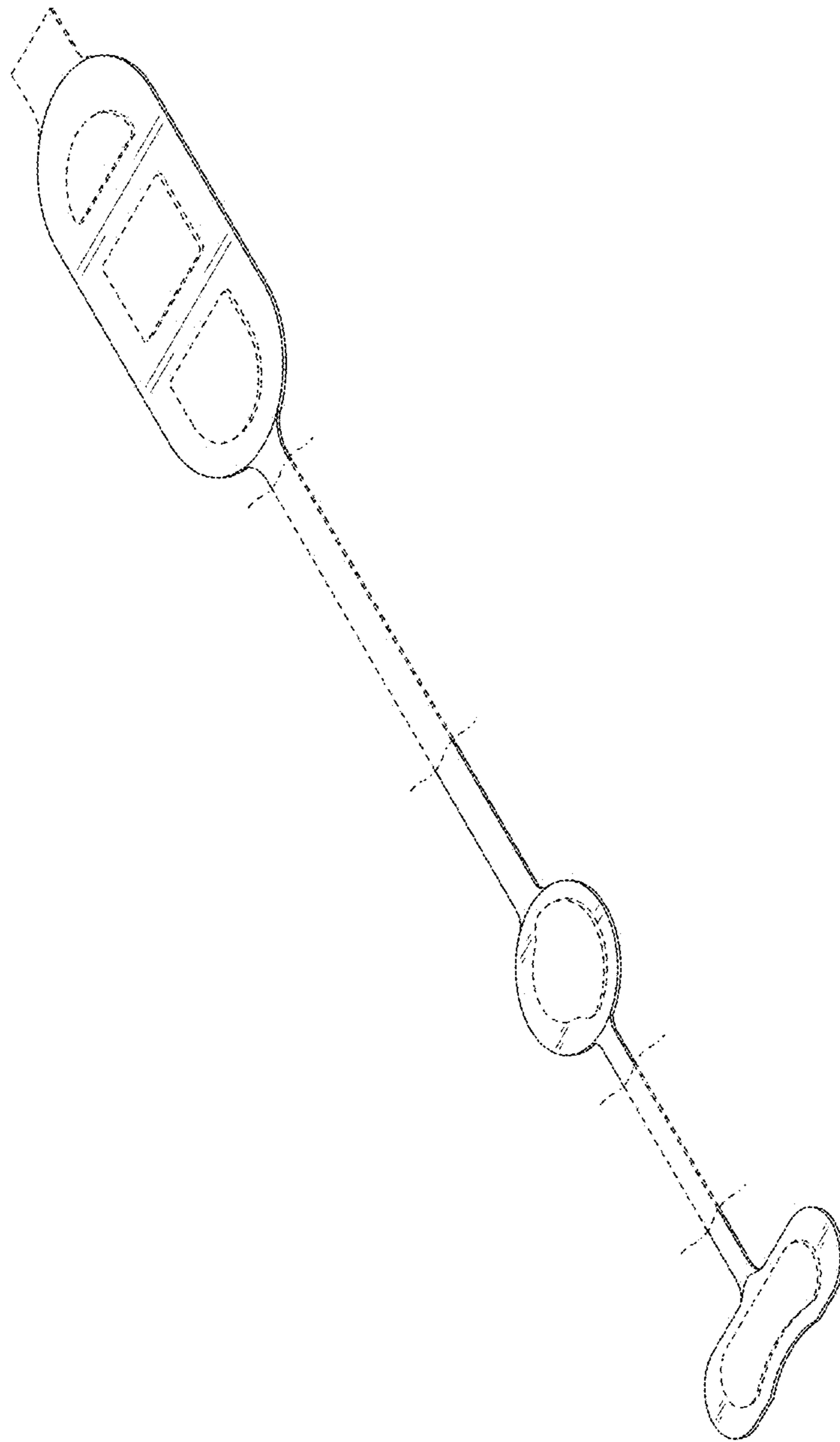


FIG. 2

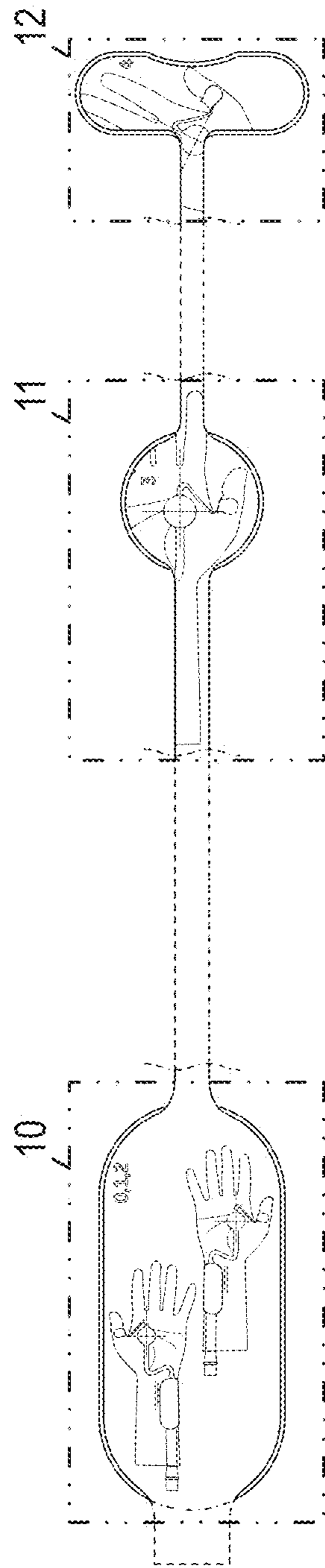


FIG. 3

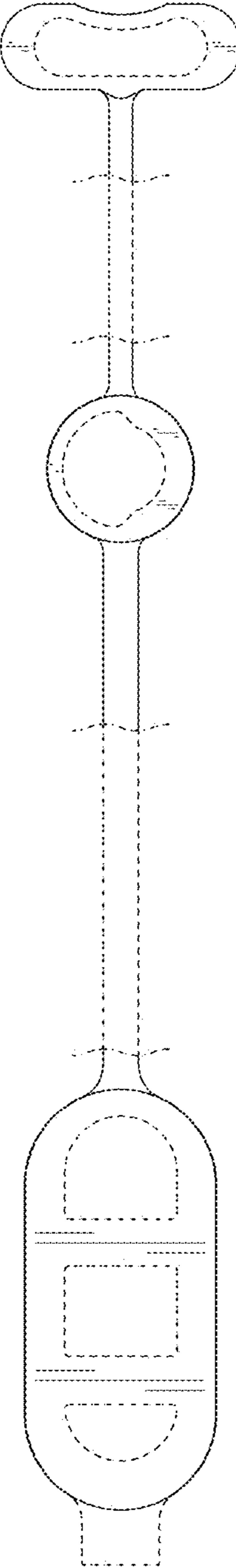


FIG. 4

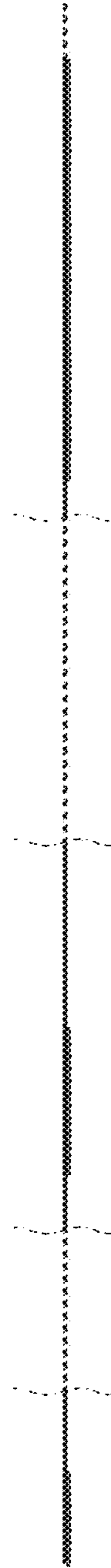


FIG. 5

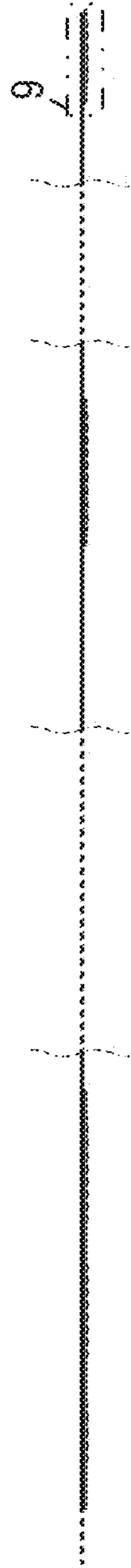


FIG. 6



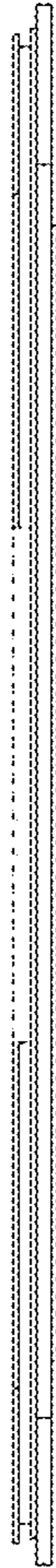


FIG. 7

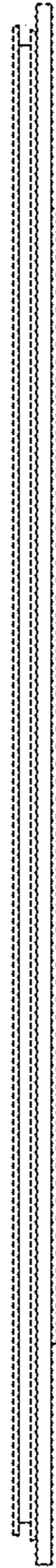


FIG. 8

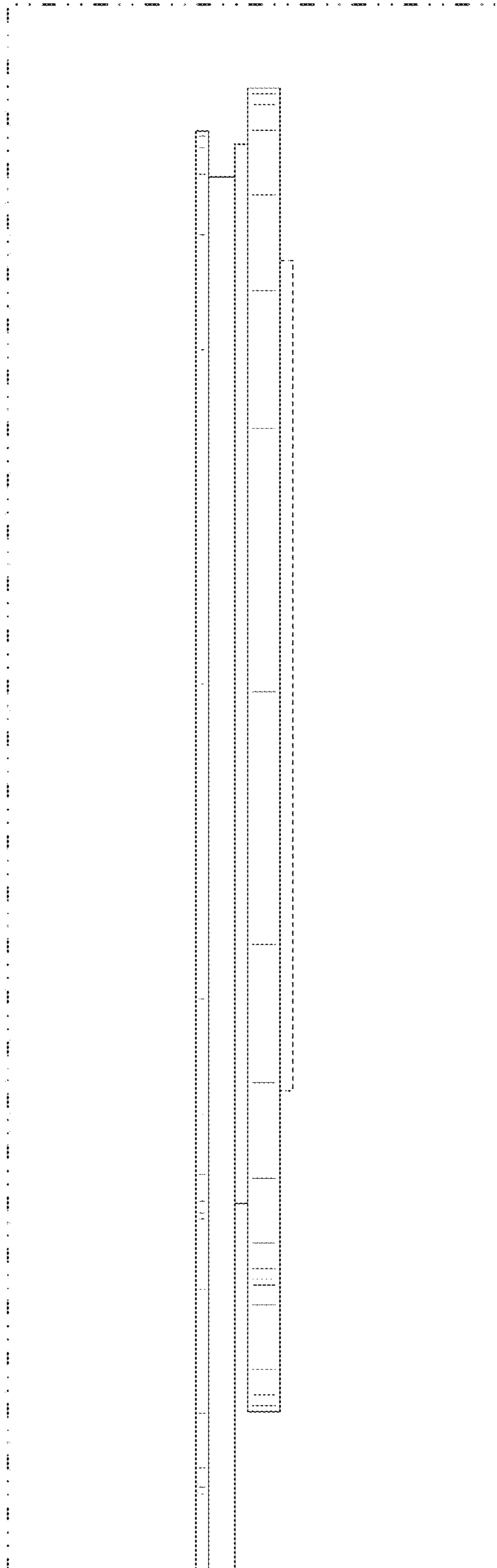


FIG. 9

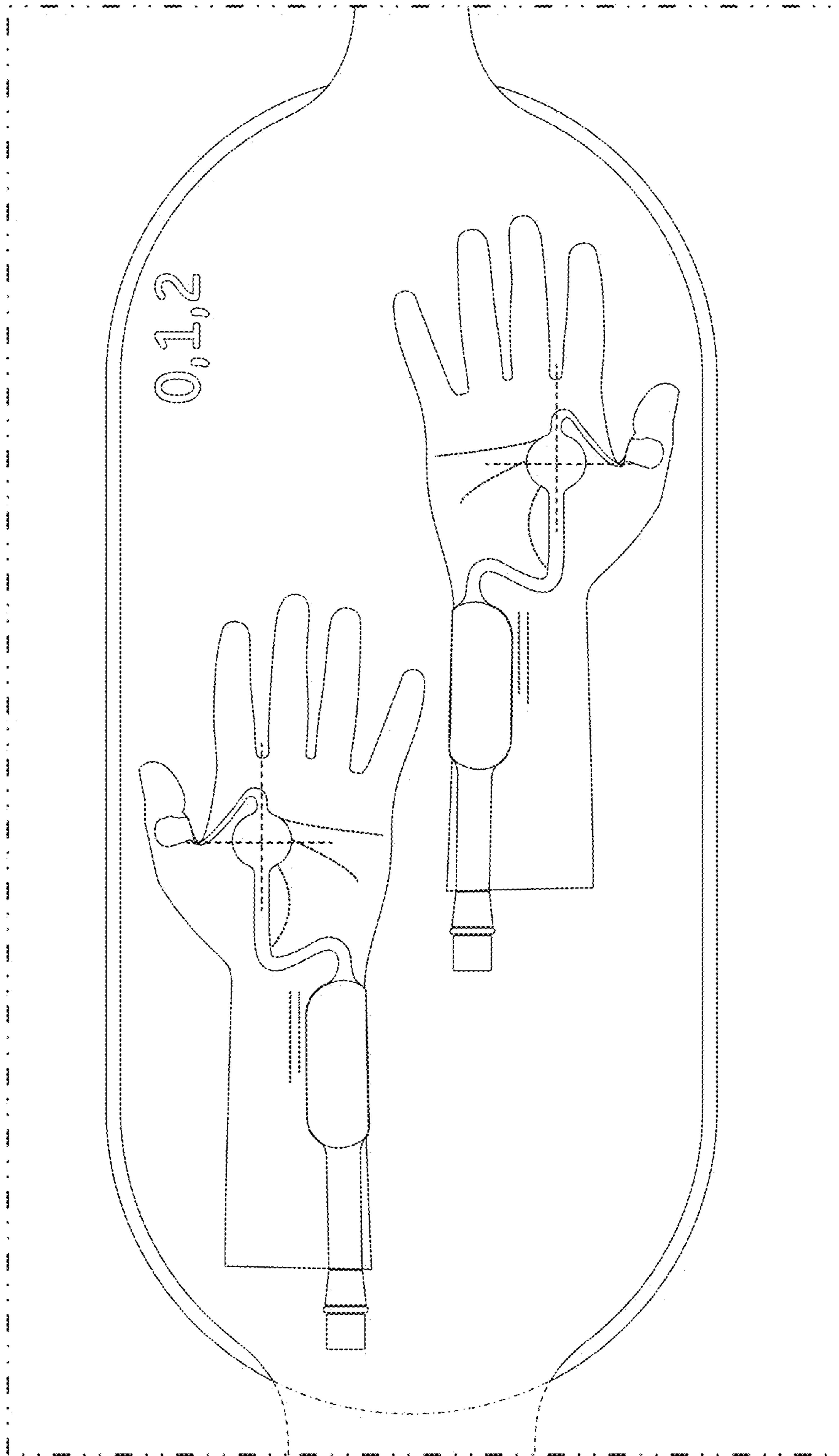


FIG. 10

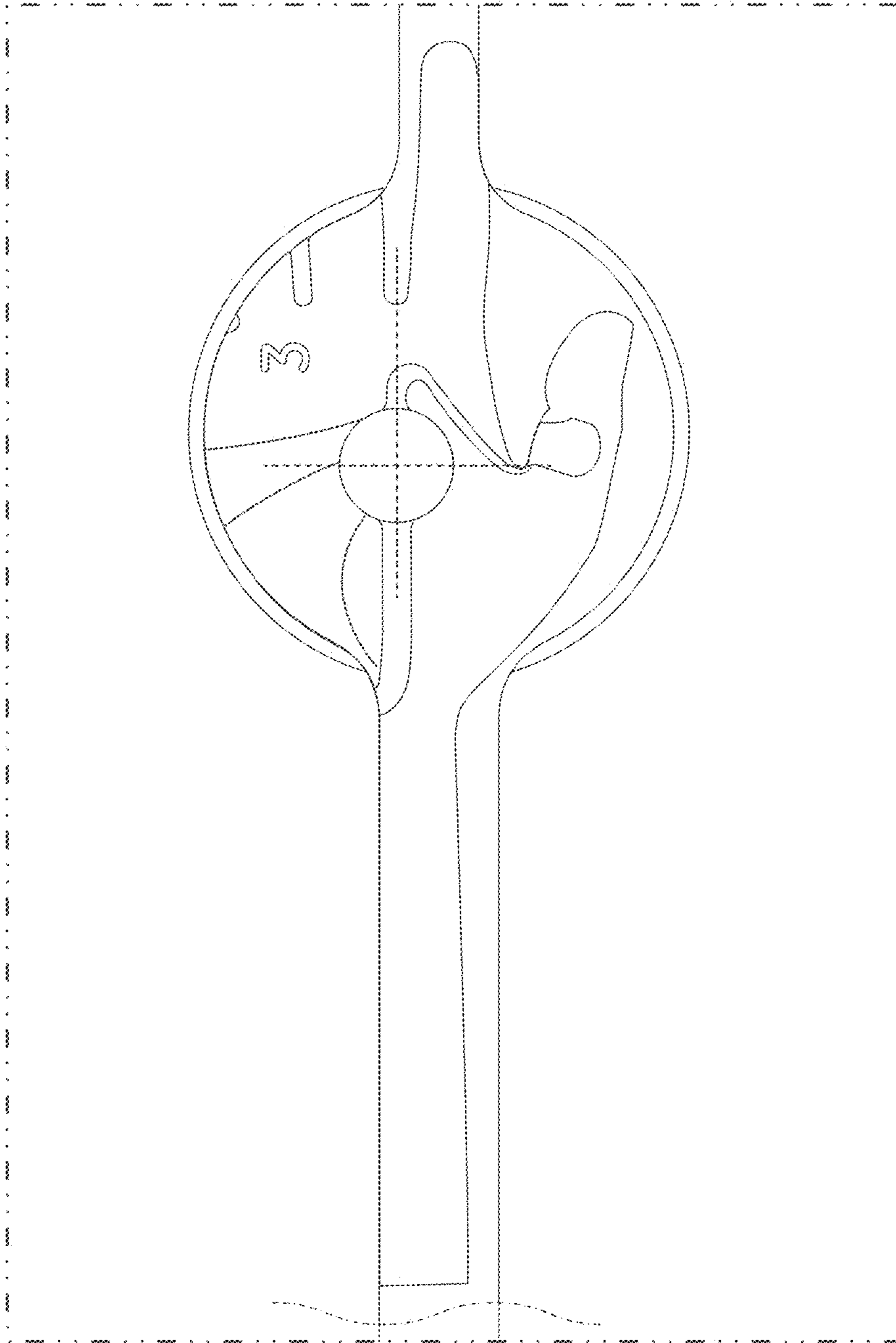


FIG. 11

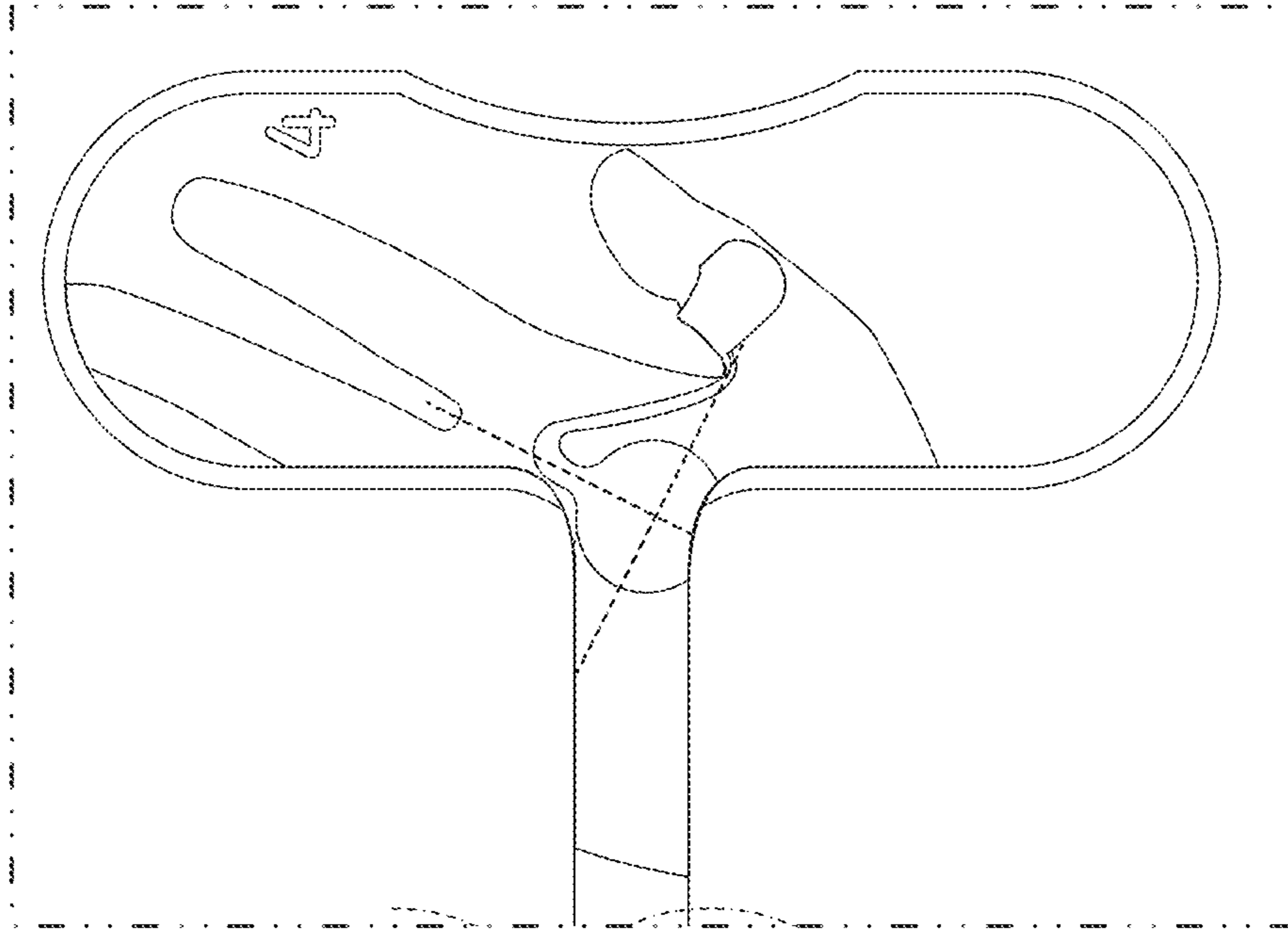


FIG. 12