



US00D970016S

(12) **United States Design Patent**
Fox et al.

(10) **Patent No.:** **US D970,016 S**
(45) **Date of Patent:** **** Nov. 15, 2022**

(54) **INTELLIGENT TELEMEDICINE ROBOT**
(71) Applicant: **X-Tend Robotics Inc.**, Middleburg, FL
(US)
(72) Inventors: **Harry Fox**, Jerusalem (IL); **David Azoulay**, Jerusalem (IL)
(73) Assignee: **X-Tend Robotics Inc.**, Middleburg, FL
(US)

D924,410 S * 7/2021 Mendoza D24/185
D934,934 S * 11/2021 Park D15/199
D939,602 S * 12/2021 Wang B25J 11/00
D15/199
D940,883 S * 1/2022 Fox D24/186
D944,305 S * 2/2022 Liu D15/199
D950,734 S * 5/2022 Cho D24/185
2022/0015840 A1 * 1/2022 Scheib B25J 5/007

* cited by examiner

Primary Examiner — Anhdao Doan

(74) *Attorney, Agent, or Firm* — Heidi Brun Associates Ltd.

(**) Term: **15 Years**

(21) Appl. No.: **29/803,903**

(57) **CLAIM**

We claim the ornamental design for an intelligent telemedicine robot, as shown and described.

(22) Filed: **Aug. 17, 2021**

DESCRIPTION

(51) **LOC (13) Cl.** **24-01**
(52) **U.S. Cl.**
USPC **D24/185**; D15/199
(58) **Field of Classification Search**
USPC D24/107, 158, 160, 185, 186, 187, 231,
D24/232; D34/12, 14, 27; D15/199
CPC B25J 9/06; B25J 9/042; B25J 9/046102;
A61H 1/0274; A61H 21/67766
See application file for complete search history.

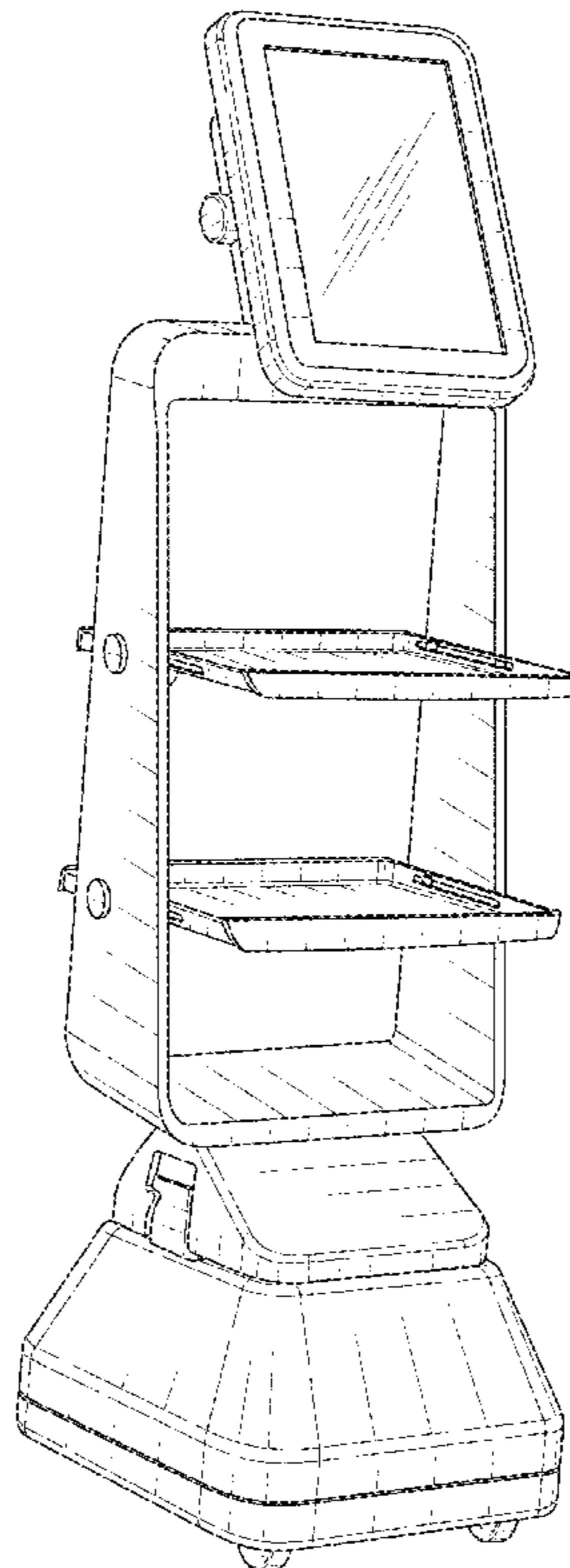
FIG. 1 is a front perspective view of an intelligent telemedicine robot with open shelves according to a first configuration of our new design;
FIG. 2 is a front view thereof;
FIG. 3 is a rear view thereof;
FIG. 4 is a right side view thereof;
FIG. 5 is a left side view thereof;
FIG. 6 is a top view thereof;
FIG. 7 is a bottom view thereof;
FIG. 8 is a front perspective view of the intelligent telemedicine robot with closed shelves according to a second configuration of our new design; and,
FIG. 9 is a front view thereof.

(56) **References Cited**

U.S. PATENT DOCUMENTS

D655,013 S * 2/2012 Sabaris Vilas D24/185
D657,469 S * 4/2012 Vilas D24/185
D687,149 S * 7/2013 Chang D24/185
D700,705 S * 3/2014 Kitt D24/185
10,889,002 B2 * 1/2021 Krauss B25J 11/008

1 Claim, 8 Drawing Sheets



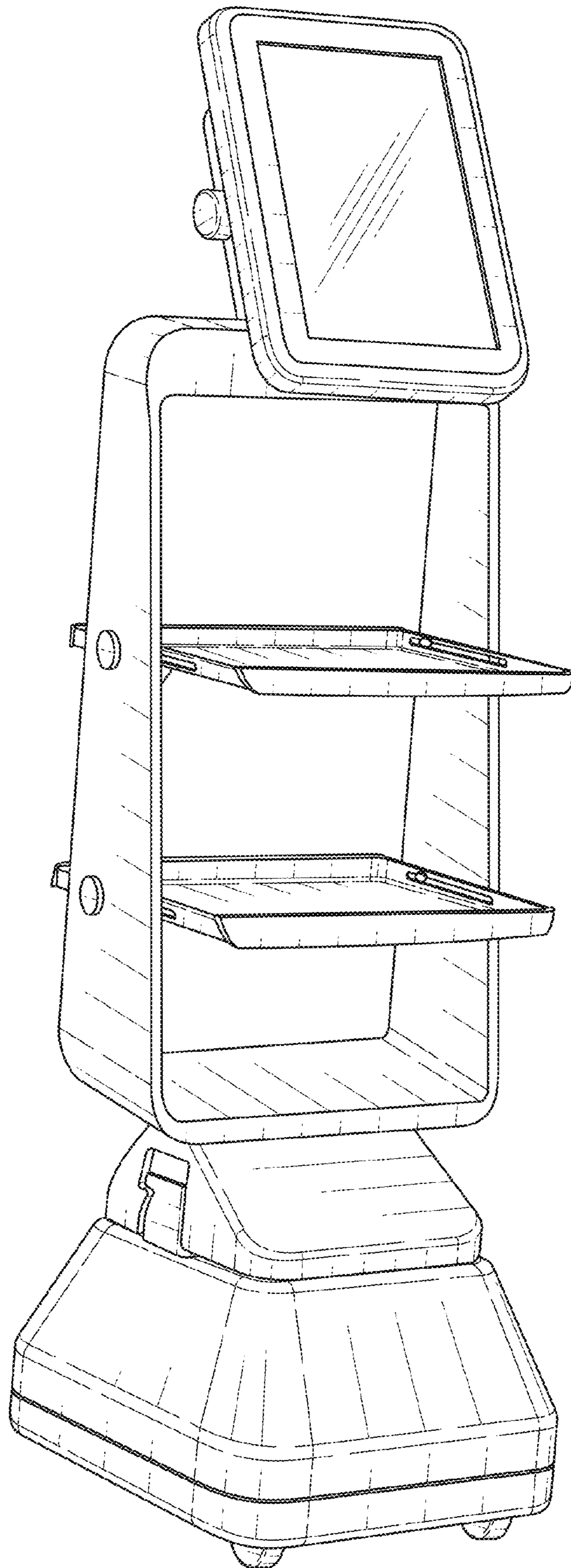


FIG. 1

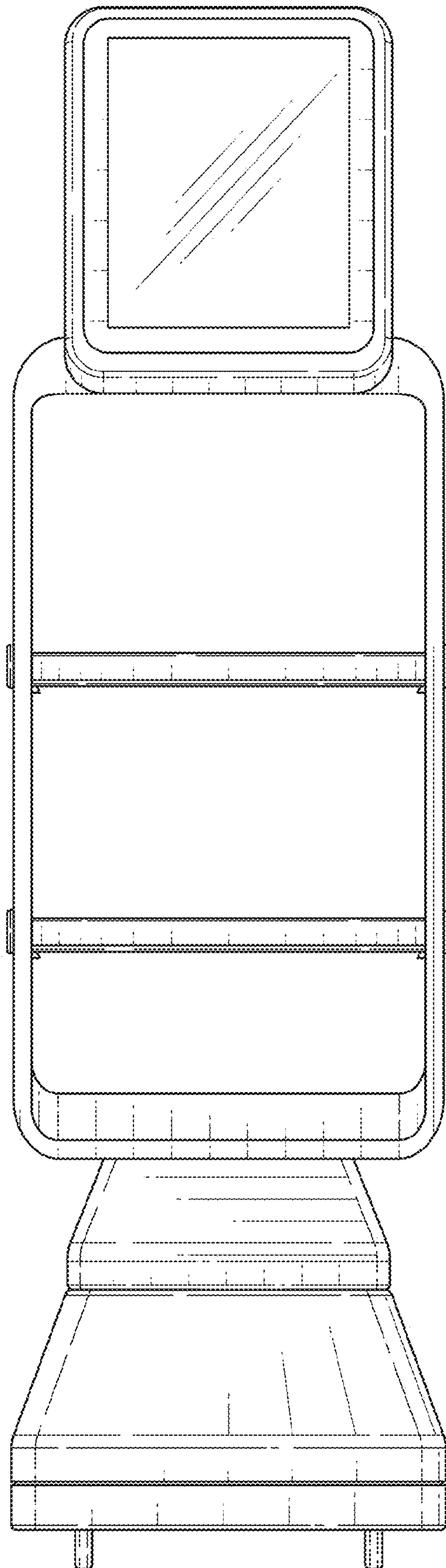


FIG. 2

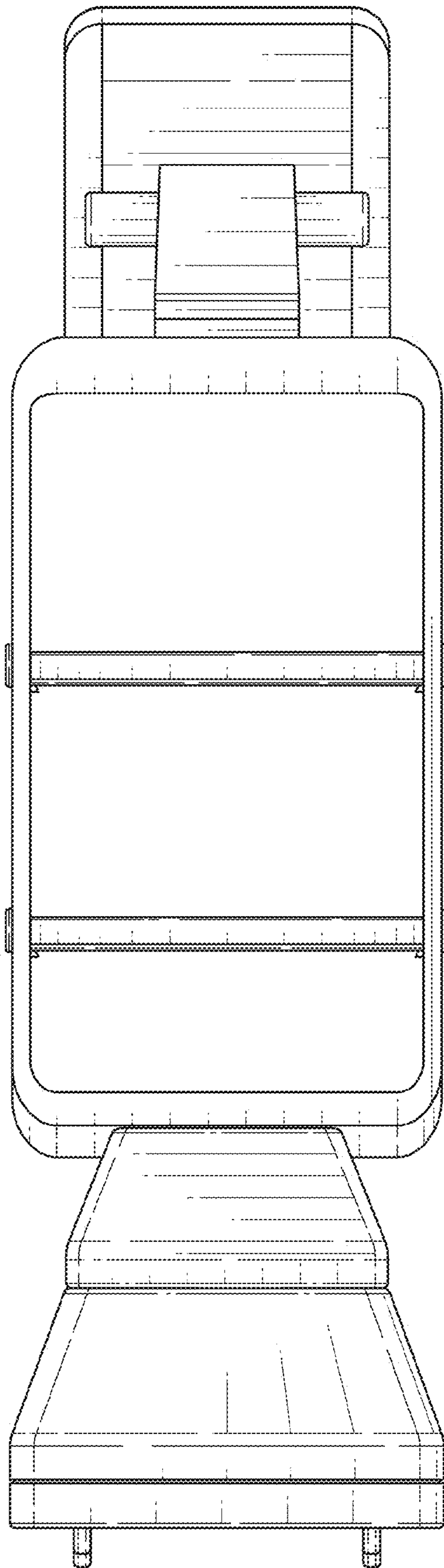


FIG. 3

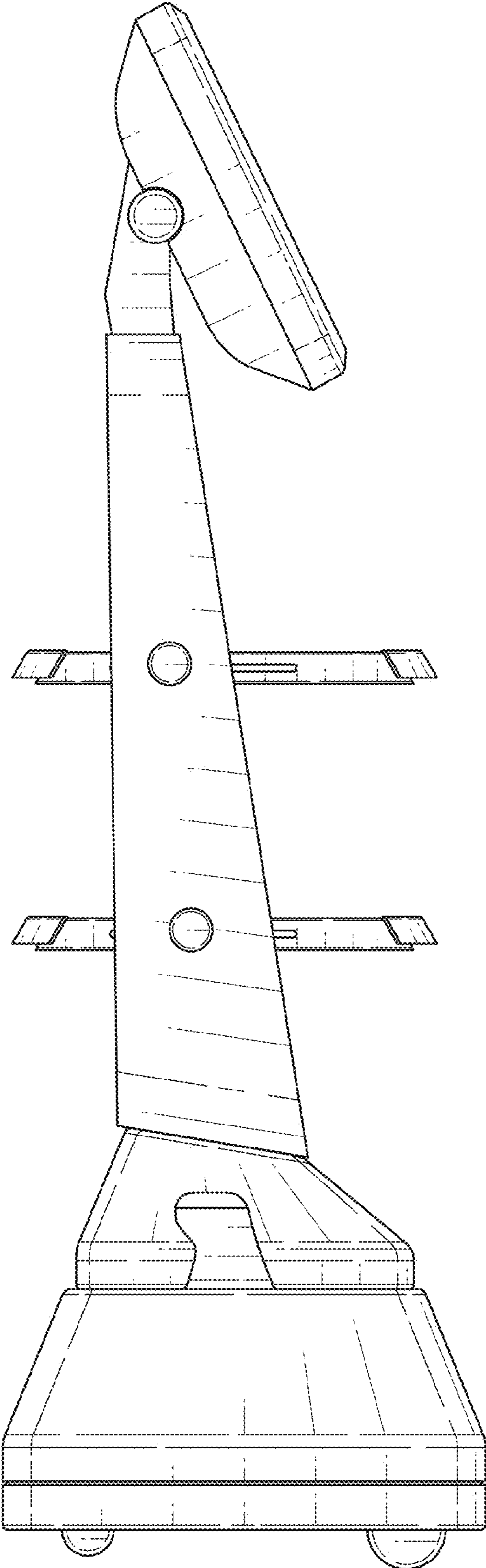


FIG. 4

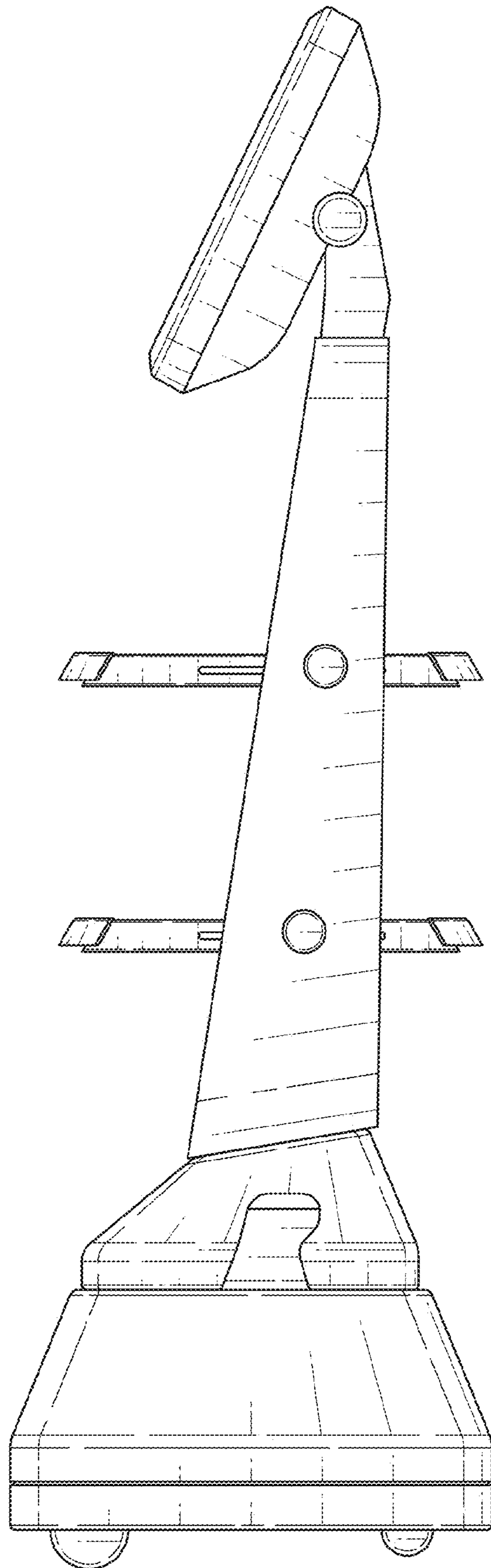


FIG. 5

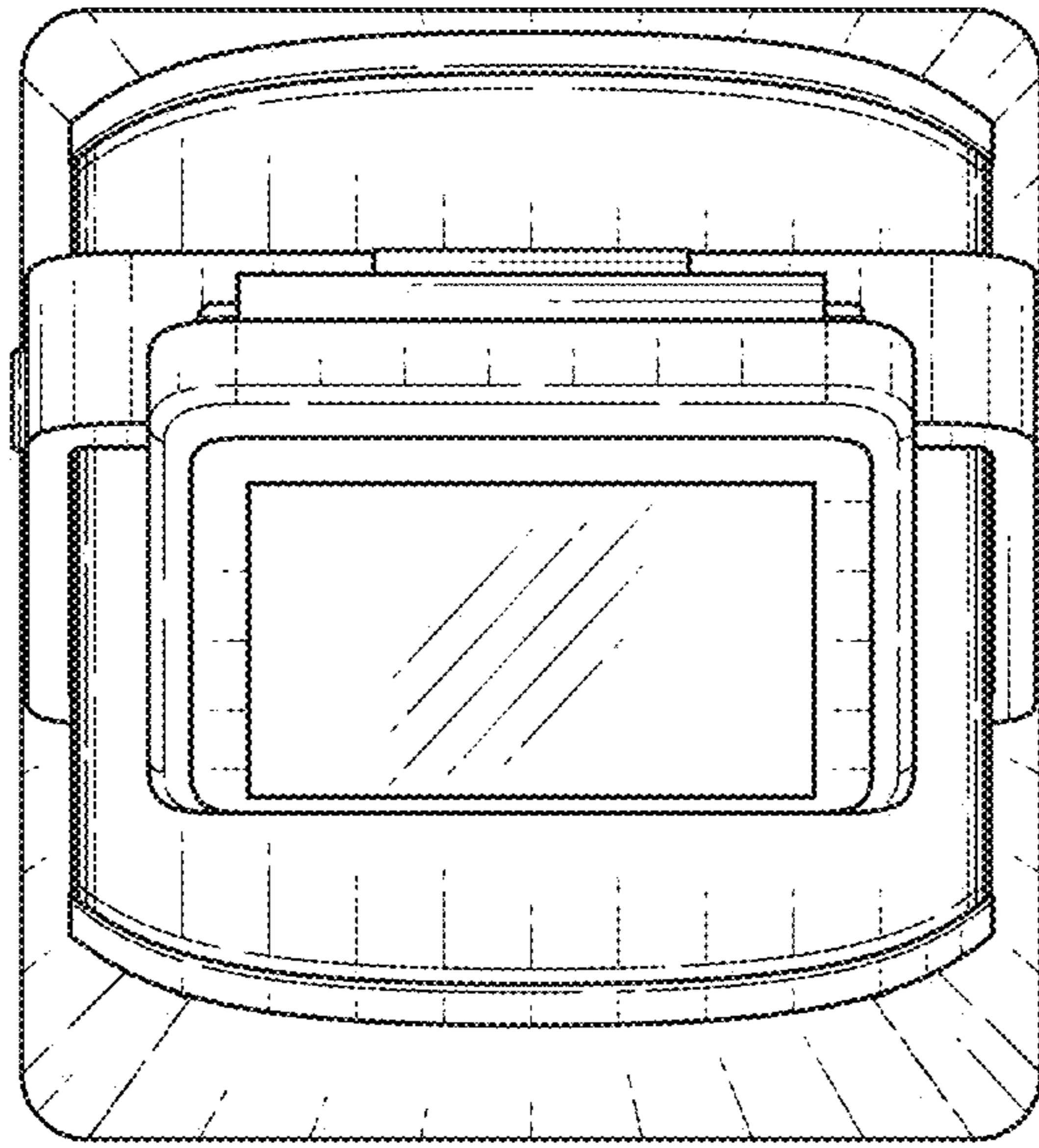


FIG. 6

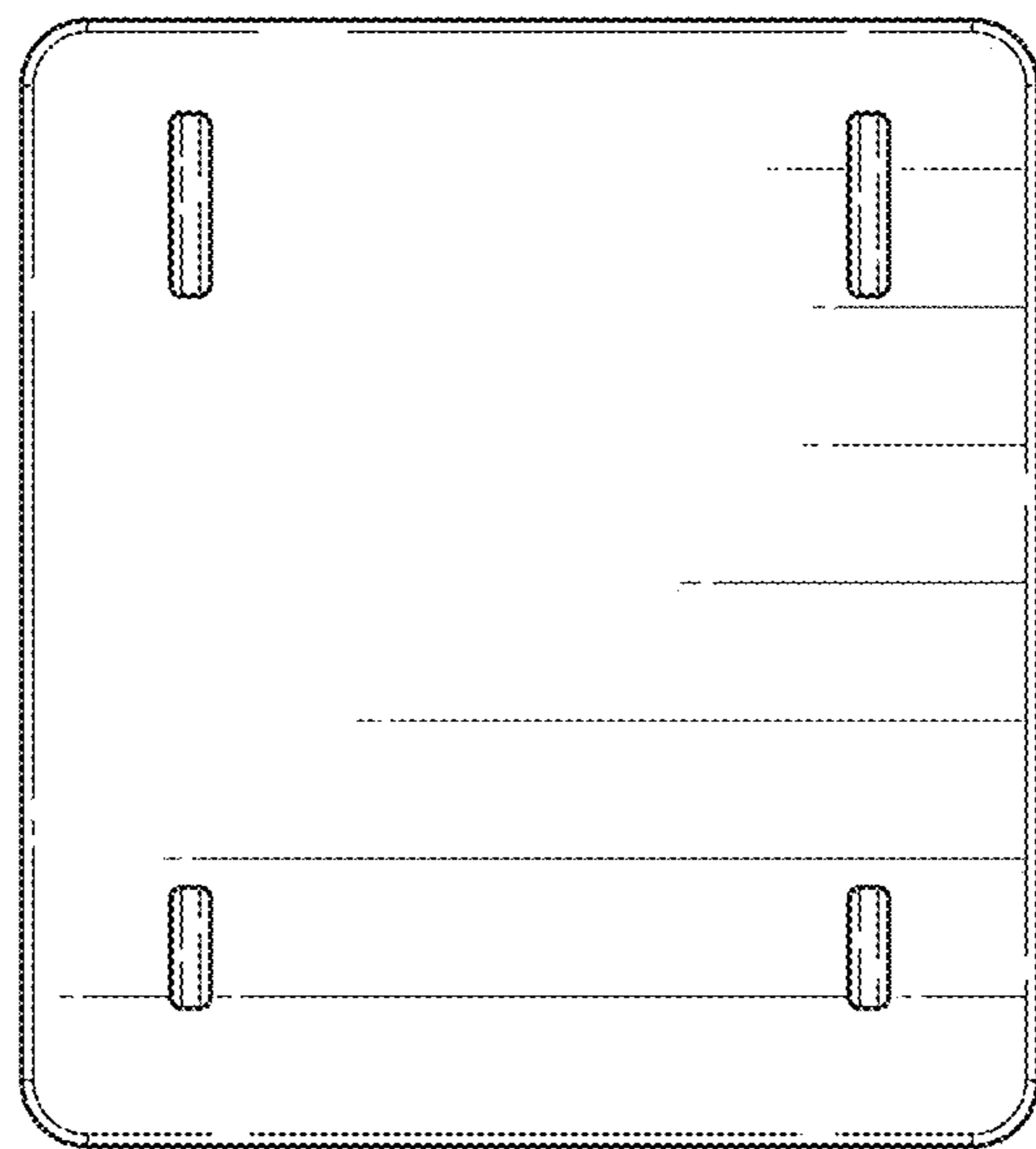


FIG. 7

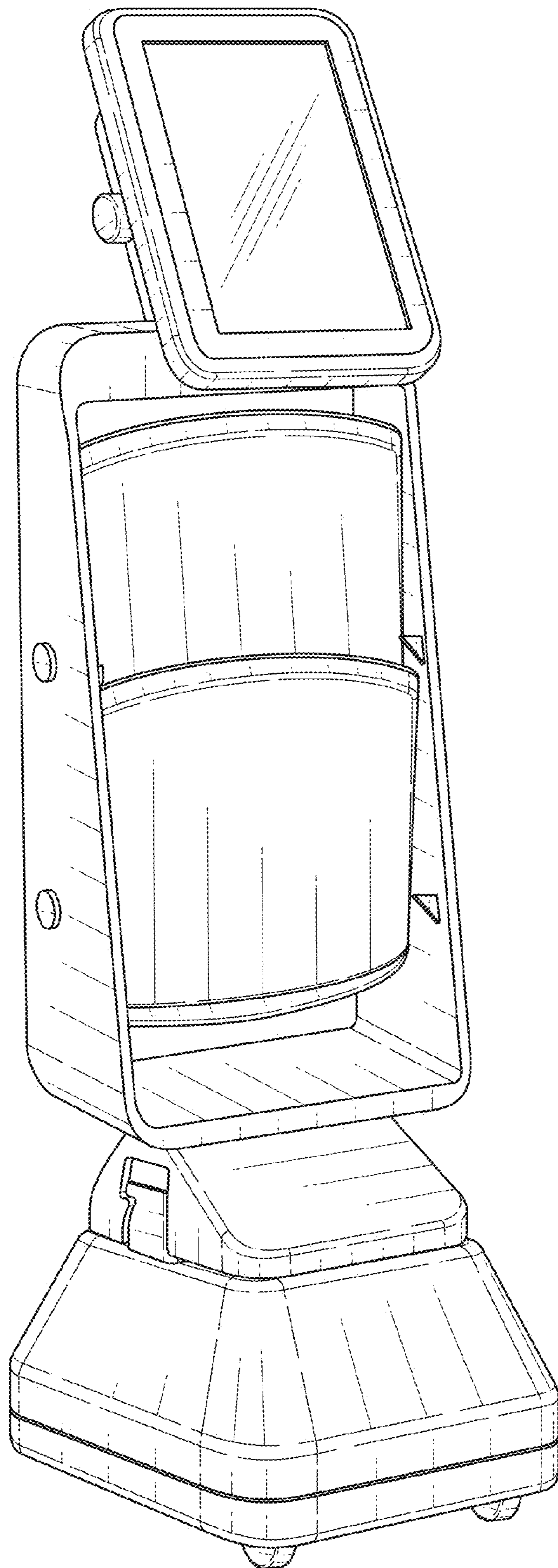


FIG. 8

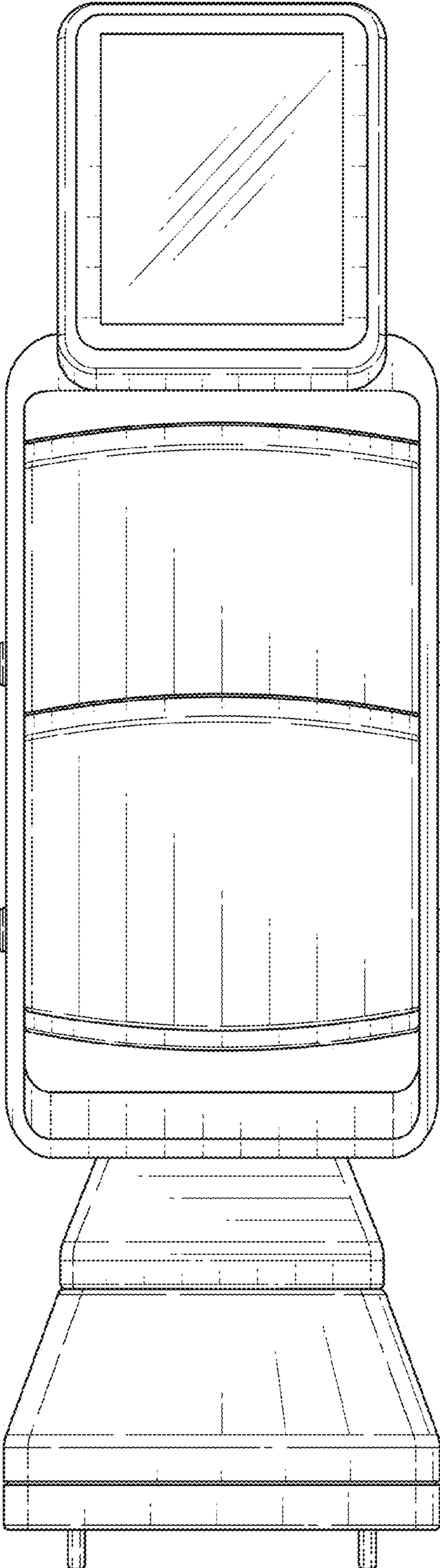


FIG. 9