



US00D970015S

(12) **United States Design Patent**
Cha et al.

(10) **Patent No.:** **US D970,015 S**

(45) **Date of Patent:** **** Nov. 15, 2022**

(54) **SURGICAL ROBOT ARM**

(71) Applicant: **CUREXO, INC.**, Seoul (KR)

(72) Inventors: **Yong Yeob Cha**, Seoul (KR); **Yong Su Park**, Guri-si (KR)

(73) Assignee: **CUREXO, INC.**, Seoul (KR)

(**) Term: **15 Years**

(21) Appl. No.: **29/701,621**

(22) Filed: **Aug. 13, 2019**

(30) **Foreign Application Priority Data**

Feb. 13, 2019 (KR) 30-2019-0006464

(51) **LOC (13) Cl.** **24-02**

(52) **U.S. Cl.**
USPC **D24/185**

(58) **Field of Classification Search**
USPC D24/185, 231; D15/199; D11/164;
D14/452

CPC B25J 17/0291; H04B 5/0037
See application file for complete search history.

(56) **References Cited**

U.S. PATENT DOCUMENTS

D613,781 S *	4/2010	Liu	D15/199
D655,324 S *	3/2012	Wong	D15/199
D670,319 S *	11/2012	Liu	D15/199
D678,378 S *	3/2013	Selic	D15/199
D749,223 S *	2/2016	Vargas	D24/185
D769,343 S *	10/2016	Bordegnoni	D15/199
D802,041 S *	11/2017	He	D15/199
D825,632 S *	8/2018	Clemmer	D15/199

D837,294 S *	1/2019	Ciniello	D15/199
D839,941 S *	2/2019	Gao	D15/199
D841,707 S *	2/2019	Yamamoto	D15/199
D841,710 S *	2/2019	Klassen	D15/199
D841,712 S *	2/2019	Hontani	D15/199
D843,380 S *	3/2019	Lindo	D14/452
D844,039 S *	3/2019	Yoon	D15/199
D844,485 S *	4/2019	Siegel	D11/164
D852,863 S *	7/2019	Dosho	D15/199
D873,417 S *	1/2020	Scott	D24/185
2017/0098991 A1 *	4/2017	Takahashi	H04B 5/0037
2018/0243927 A1 *	8/2018	Dufau	B25J 17/0291

* cited by examiner

Primary Examiner — Rhea Shields

(74) *Attorney, Agent, or Firm* — Bridgeway IP Law Group, PLLC; Jihun Kim

(57) **CLAIM**

We claim the ornamental design for a surgical robot arm, as shown and described.

DESCRIPTION

FIG. 1 is a perspective view of a surgical robot arm, showing our new design;

FIG. 2 is a front elevational view thereof;

FIG. 3 is a rear elevational view thereof;

FIG. 4 is a left side elevational view thereof;

FIG. 5 is a right side elevational view thereof;

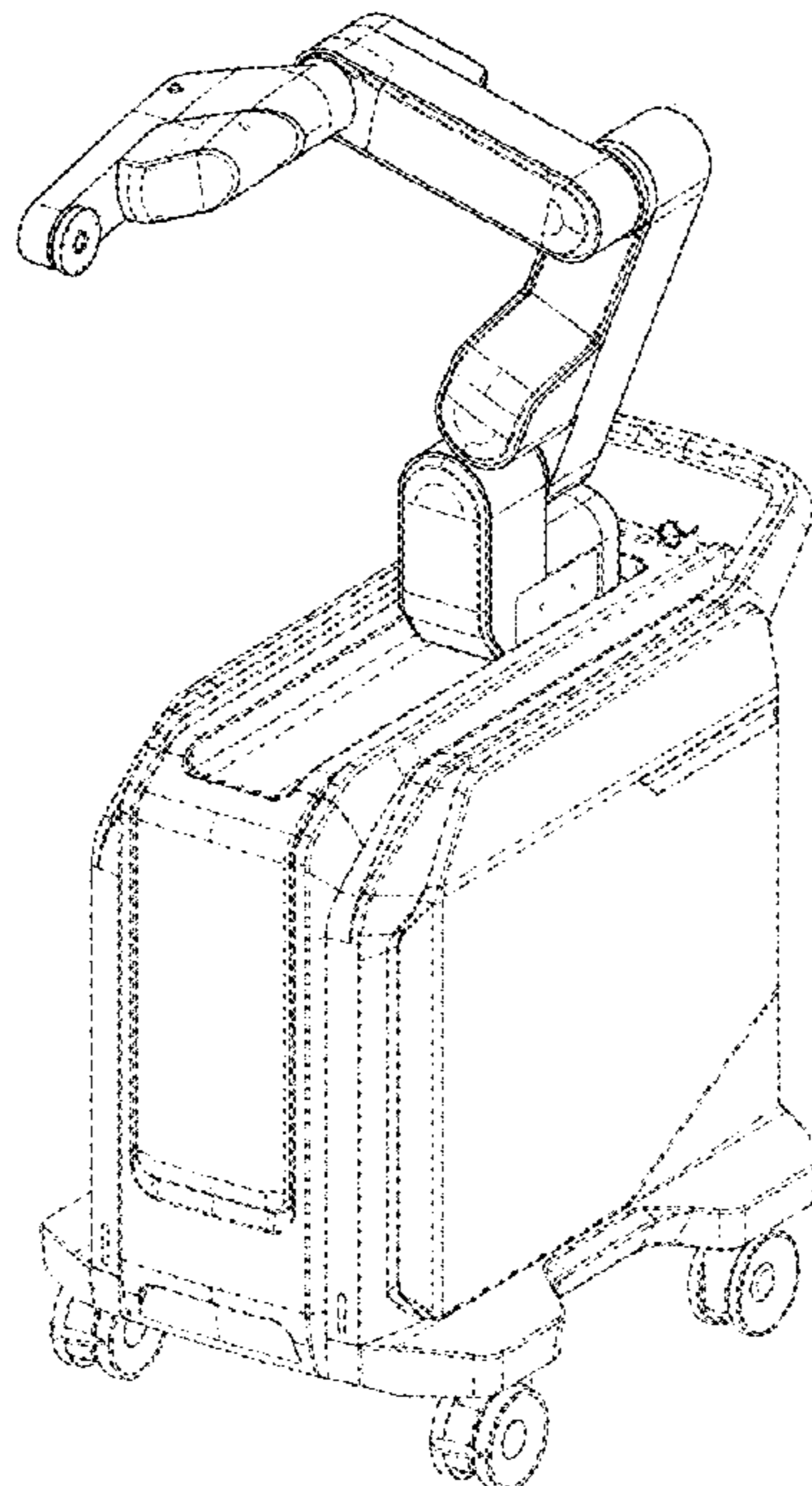
FIG. 6 is a top plan view thereof;

FIG. 7 is a bottom plan view thereof; and,

FIG. 8 is another perspective view of the surgical robot arm shown in an environment.

The broken lines in the drawings depict portions of the surgical robot arm or environmental structure that form no part of the claimed design.

1 Claim, 8 Drawing Sheets



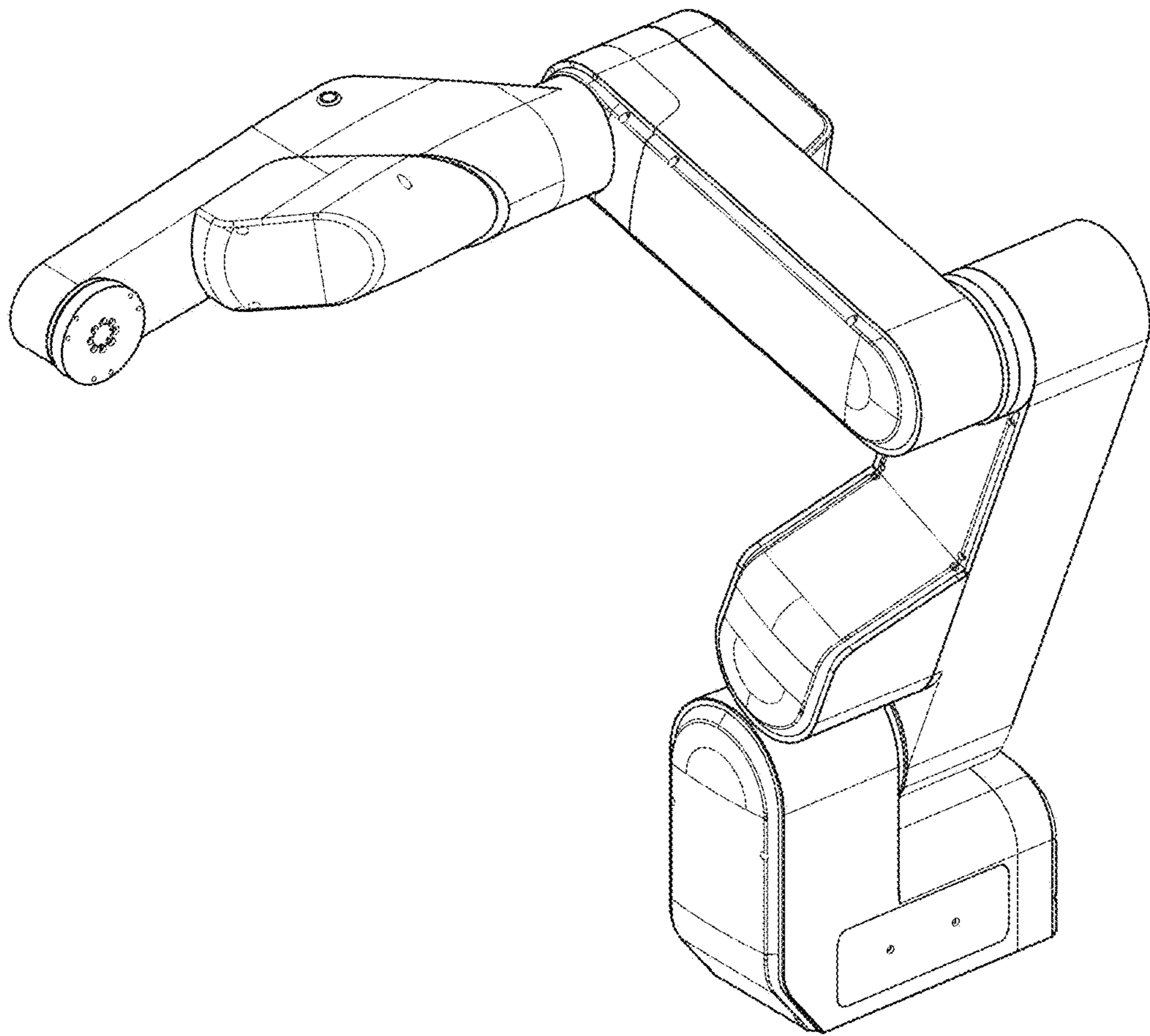


FIG. 1

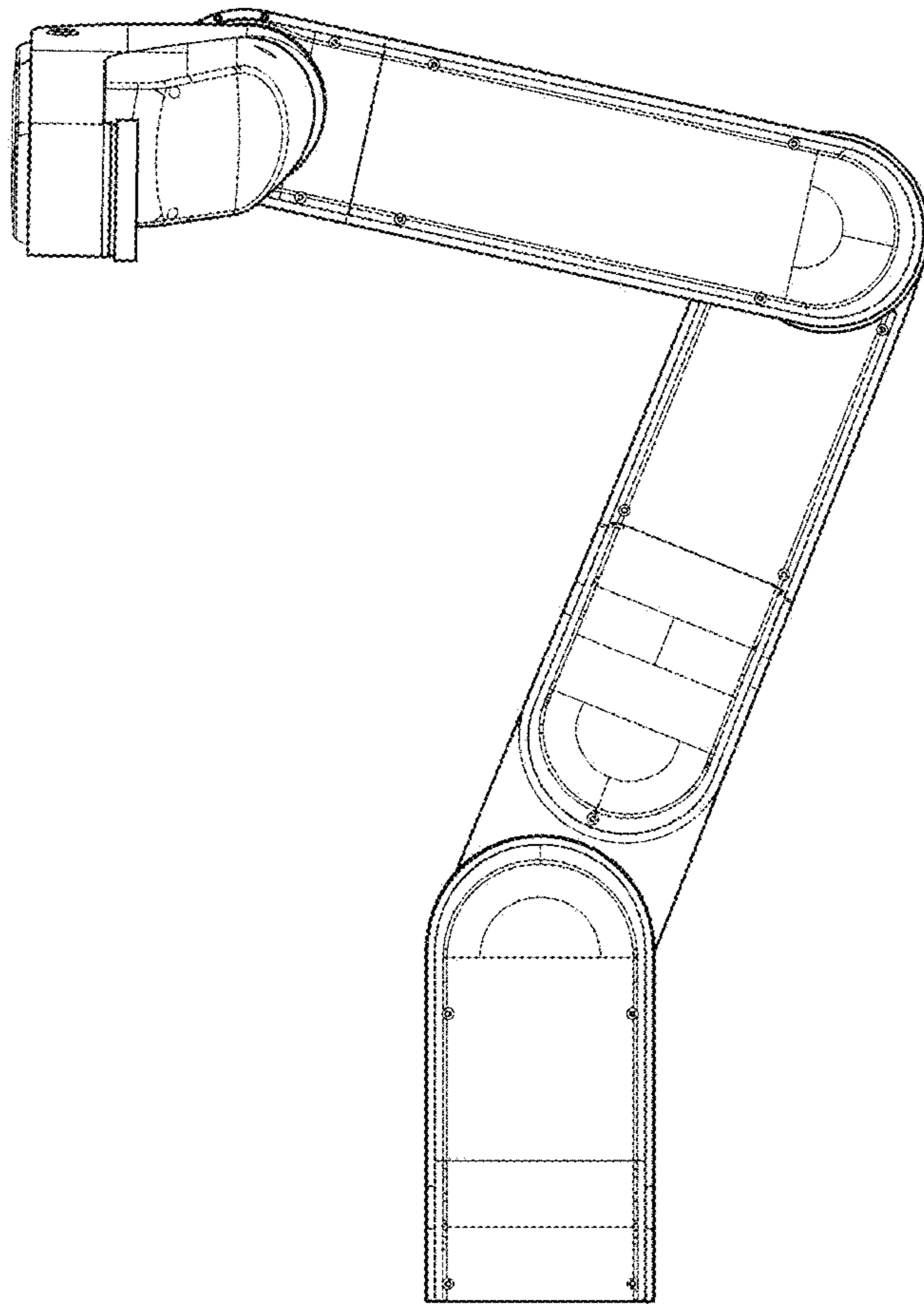


FIG. 2

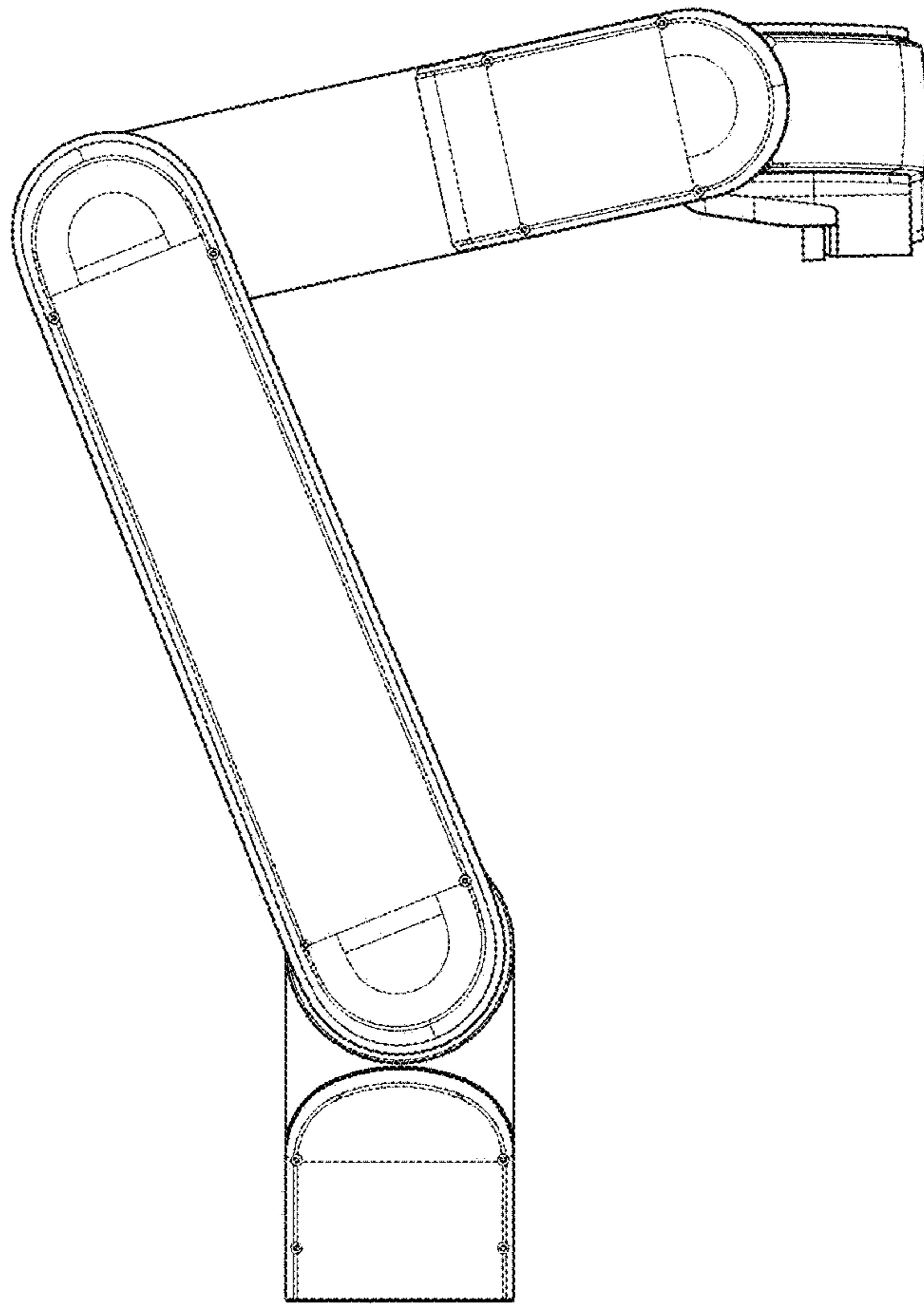


FIG. 3

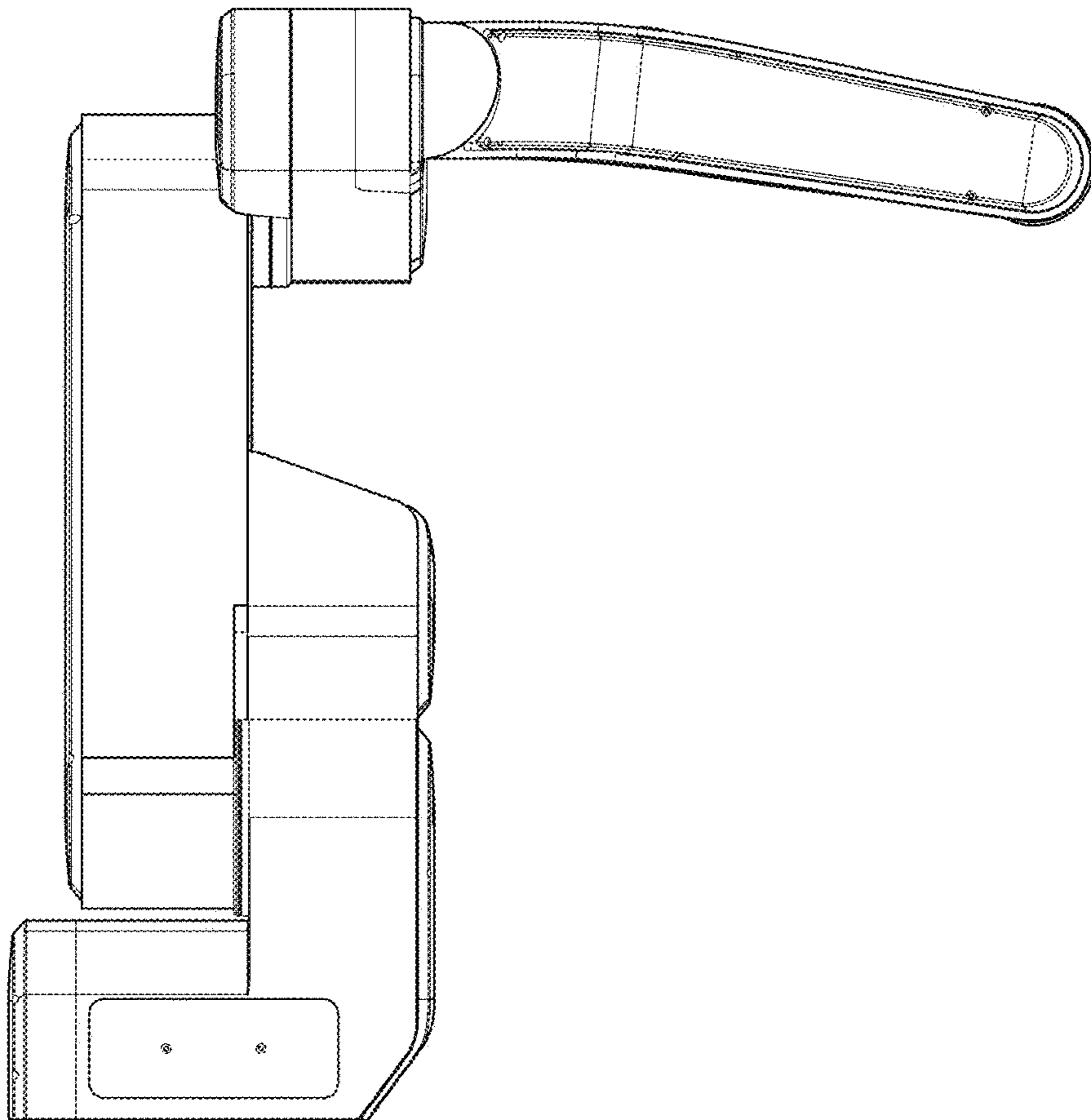


FIG. 4

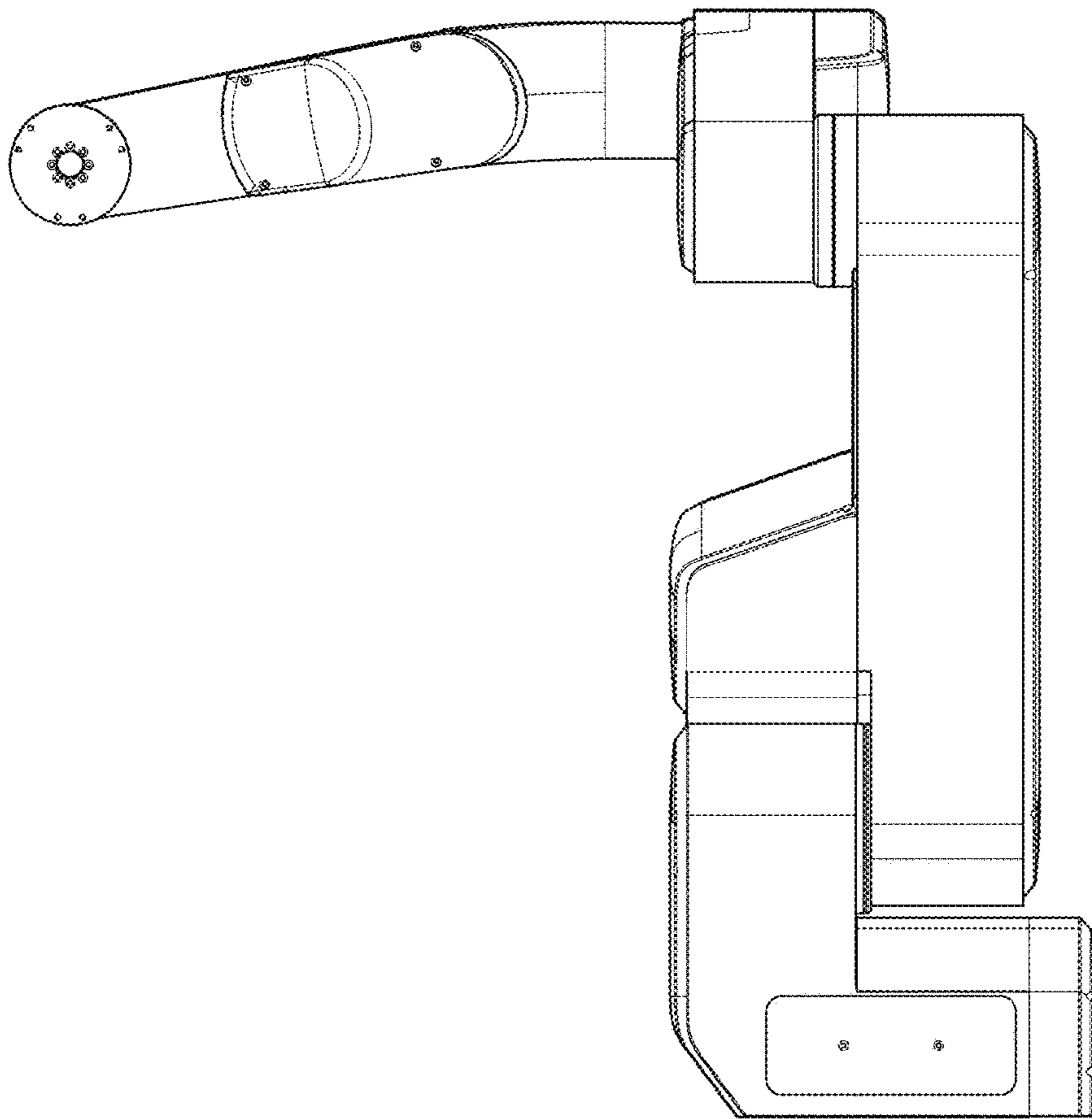


FIG. 5

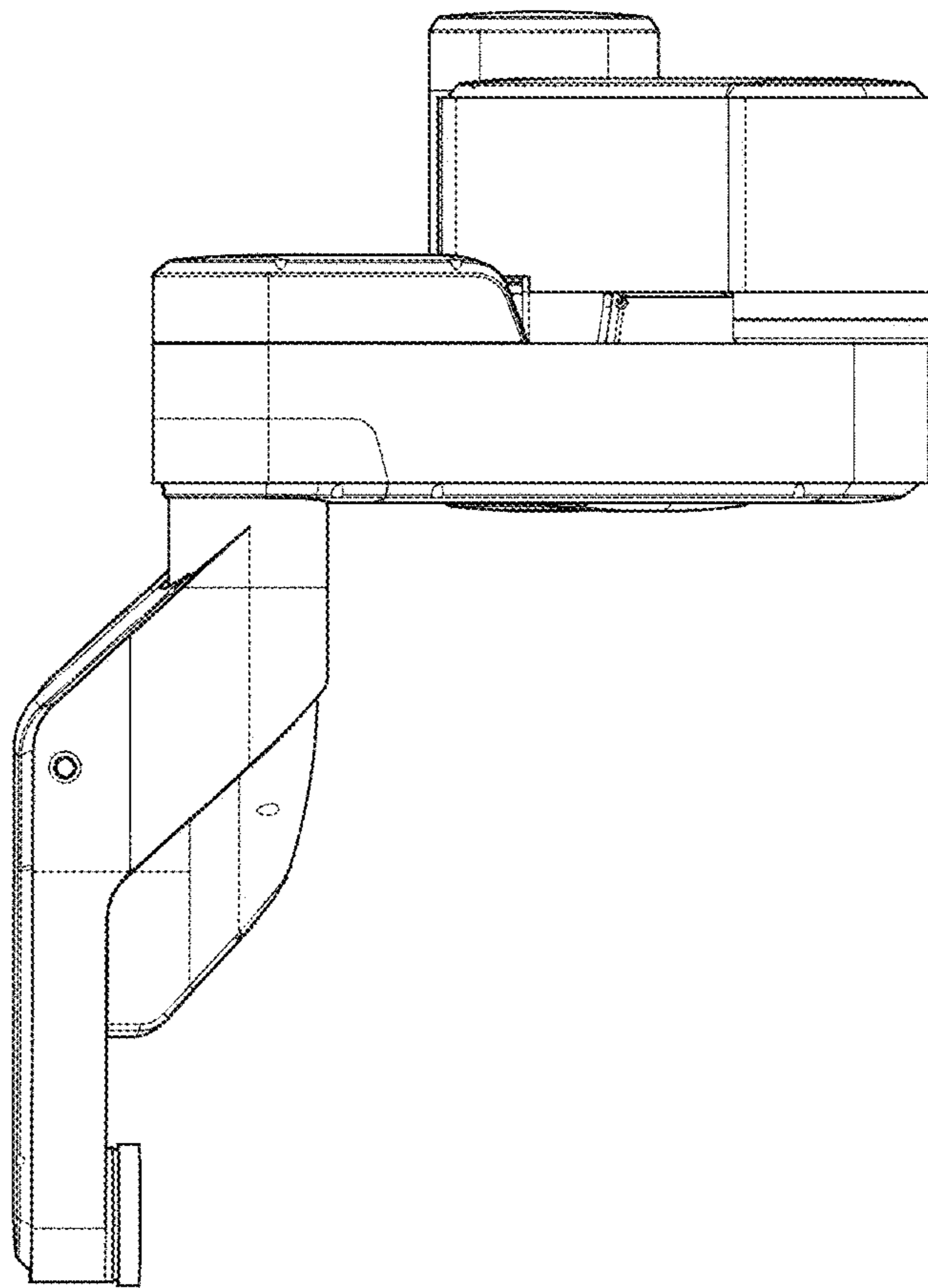


FIG. 6

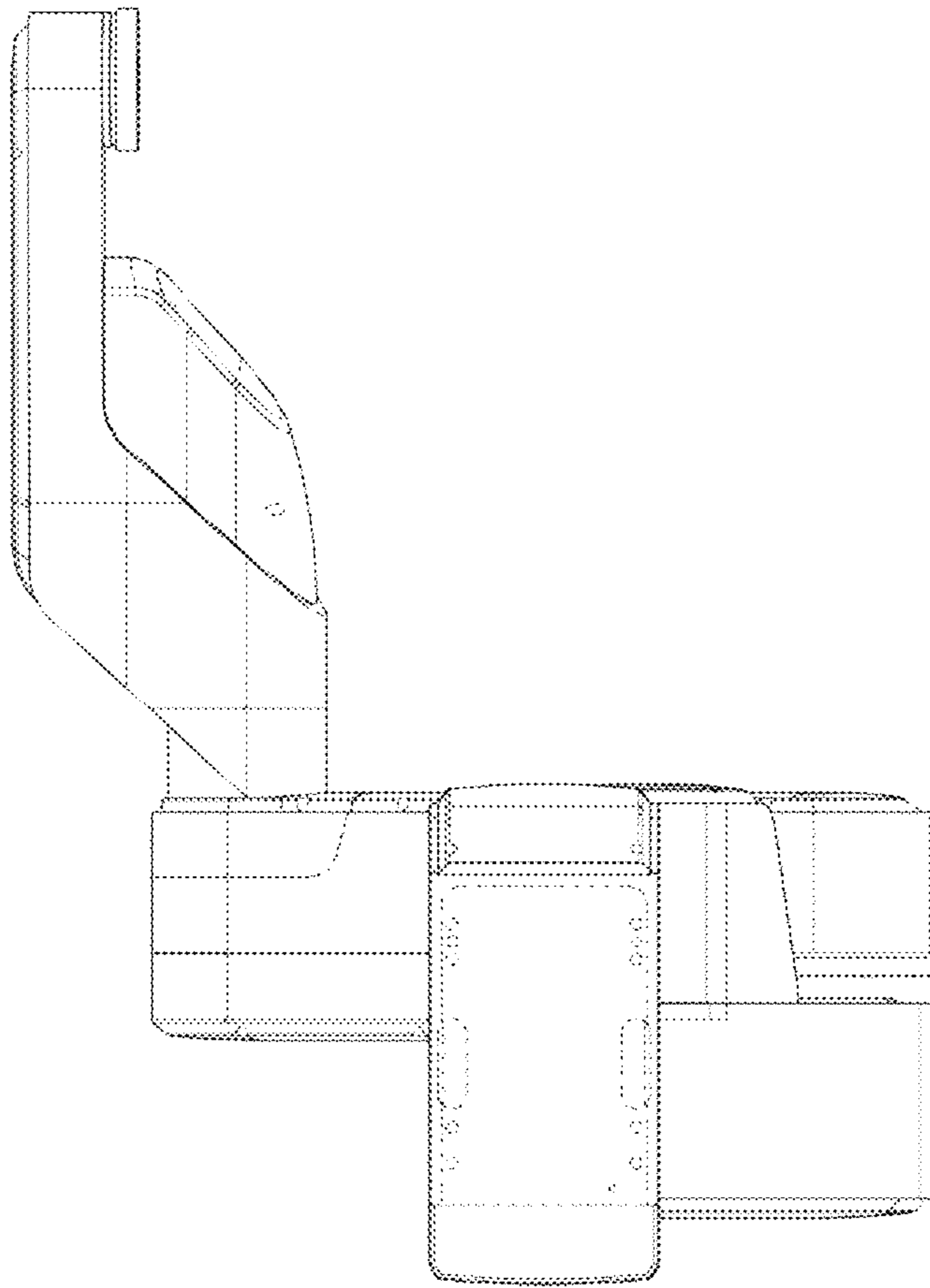


FIG. 7

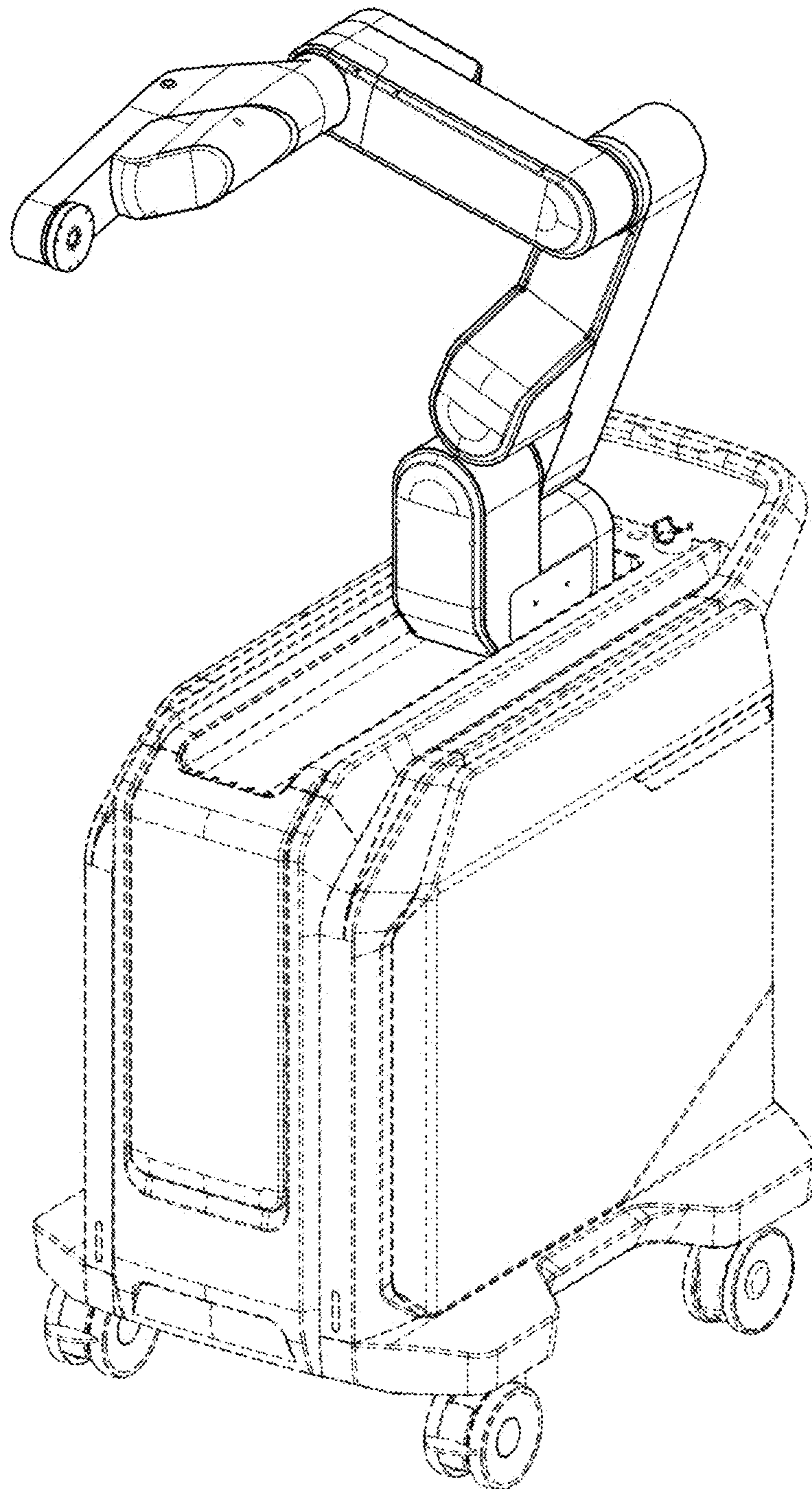


FIG. 8