



US00D970013S

(12) **United States Design Patent** (10) **Patent No.:** **US D970,013 S**
Frantz et al. (45) **Date of Patent:** **** *Nov. 15, 2022**

(54) **MANDIBULAR ADVANCEMENT APPLIANCE**

(71) Applicants: **Joseph Lee Frantz**, Austin, TX (US);
Donald E Frantz, Katy, TX (US)

(72) Inventors: **Joseph Lee Frantz**, Austin, TX (US);
Donald E Frantz, Katy, TX (US)

(73) Assignee: **FRANTZ DESIGN**
INCORPORATED, Katy, TX (US)

(*) Notice: This patent is subject to a terminal disclaimer.

(**) Term: **15 Years**

(21) Appl. No.: **29/722,144**

(22) Filed: **Jan. 27, 2020**

(51) **LOC (13) Cl.** **24-02**

(52) **U.S. Cl.**
USPC **D24/181**

(58) **Field of Classification Search**
USPC D24/180-182, 110, 110.5, 176; D29/108
CPC A61C 7/08; A61C 7/36; A61C 19/0006;
A61C 19/005; A61C 19/006; A61C
19/06; A61C 19/063; A61C 19/066; A61C
2201/007
See application file for complete search history.

(56) **References Cited**

U.S. PATENT DOCUMENTS

D554,260 S * 10/2007 Diacopoulos D24/181
D611,153 S * 3/2010 Frantz A61C 7/36
D24/180
D872,281 S * 1/2020 Brauteseth D24/181
(Continued)

FOREIGN PATENT DOCUMENTS

EM 005499738-0001 * 7/2018
EM 005499738-0002 * 7/2018
KR 301045283.0000 * 2/2020

OTHER PUBLICATIONS

“What Device Best Fits Your Patient’s Needs?” by Glidewell Dental. Glidewelldental.com. Copyright 2019. Retrieval date: Jan. 29, 2021. Retrieved from internet: <https://glidewelldental.com/solutions/sleep-dentistry/mandibular-advancement-devices/silent-nite-sleep-appliance> (Year: 2019).*

Primary Examiner — Mary Shannon Malley

Assistant Examiner — Lee D. Starr

(74) *Attorney, Agent, or Firm* — Margaret Anderson

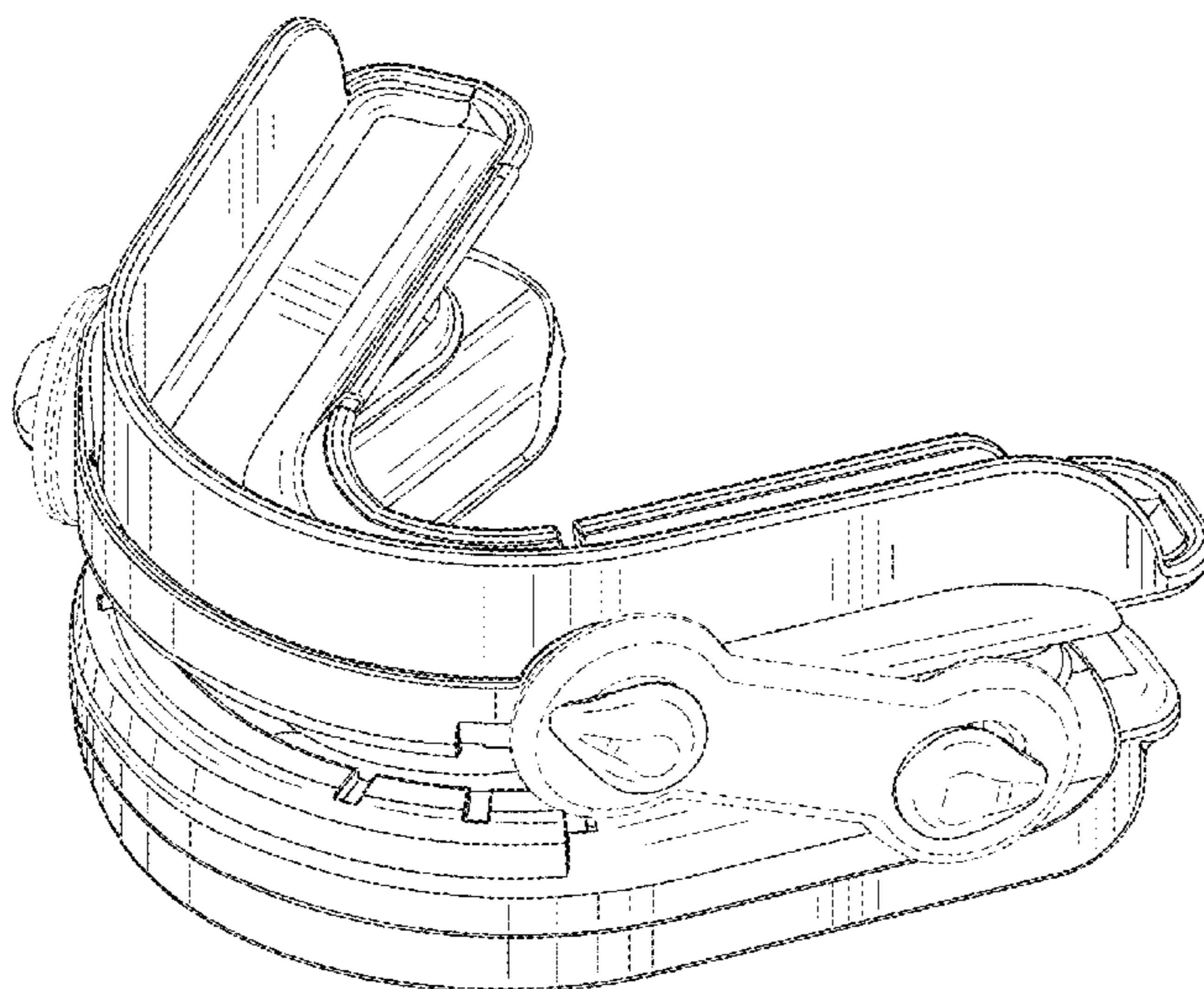
(57) **CLAIM**

The ornamental design for a mandibular advancement appliance, as shown and described.

DESCRIPTION

FIG. 1 is a front perspective view of a mandibular advancement appliance;
FIG. 2 is a bottom perspective view of the mandibular advancement appliance shown in FIG. 1;
FIG. 3 is a rear view of the mandibular advancement appliance shown in FIG. 1;
FIG. 4 is front view of the mandibular advancement appliance shown in FIG. 1;
FIG. 5 is a left side view of the mandibular advancement appliance shown in FIG. 1;
FIG. 6 is a right view of the mandibular advancement appliance shown in FIG. 1;
FIG. 7 is a top view of the mandibular advancement appliance shown in FIG. 1;
FIG. 8 is a bottom view of the mandibular advancement appliance shown in FIG. 1;
FIG. 9 is a front exploded perspective view of the mandibular advancement appliance shown in FIG. 1; and,
FIG. 10 is a bottom exploded perspective view of the mandibular advancement appliance shown in FIG. 1
The broken lines in the drawings depict portions of the mandibular advancement appliance that form no part of the claimed design.

1 Claim, 7 Drawing Sheets



(56)

References Cited

U.S. PATENT DOCUMENTS

10,849,783	B2 *	12/2020	Fallon	A61F 5/566
11,331,211	B2 *	5/2022	Yukita	A61C 7/36
2011/0155144	A1 *	6/2011	Toussaint	A61F 5/566
				128/848
2012/0145166	A1 *	6/2012	Fallon	A61F 5/566
				128/848
2014/0120489	A1 *	5/2014	Klein	A61C 7/08
				433/6
2014/0230829	A1 *	8/2014	Rogers	A61F 5/566
				128/848
2014/0326253	A1 *	11/2014	Baratier	A61F 5/566
				128/848
2015/0202075	A1 *	7/2015	Vincent	A61F 5/566
				128/848
2015/0216716	A1 *	8/2015	Anitua Aldecoa	A61C 7/08
				128/848
2017/0367793	A1 *	12/2017	Veis	A61C 7/36
2018/0140386	A1 *	5/2018	Jasper	A61C 7/36
2018/0263806	A1 *	9/2018	Toussaint	A61F 5/566
2019/0151137	A1 *	5/2019	Metz	A61F 5/566
2019/0183670	A1 *	6/2019	Nagai	A61F 5/56
2019/0269545	A1 *	9/2019	Hamburg	A61F 5/566
2019/0388191	A1 *	12/2019	Vincent	A61C 7/36
2020/0197214	A1 *	6/2020	Frantz	A61F 5/566
2020/0345534	A1 *	11/2020	Lucas	A61C 7/10
2021/0045911	A1 *	2/2021	Veis	A61C 7/08

* cited by examiner

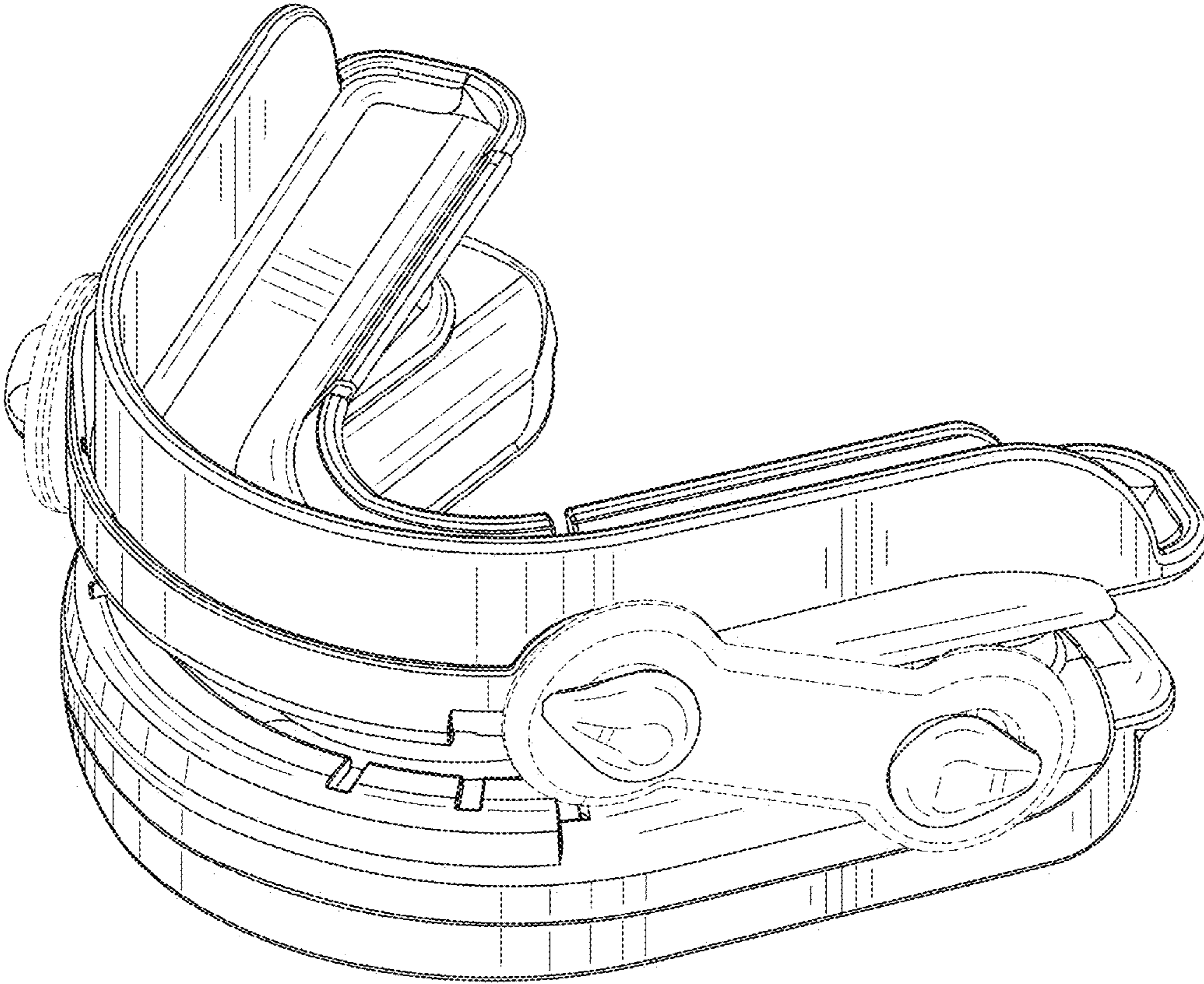


FIG. 1

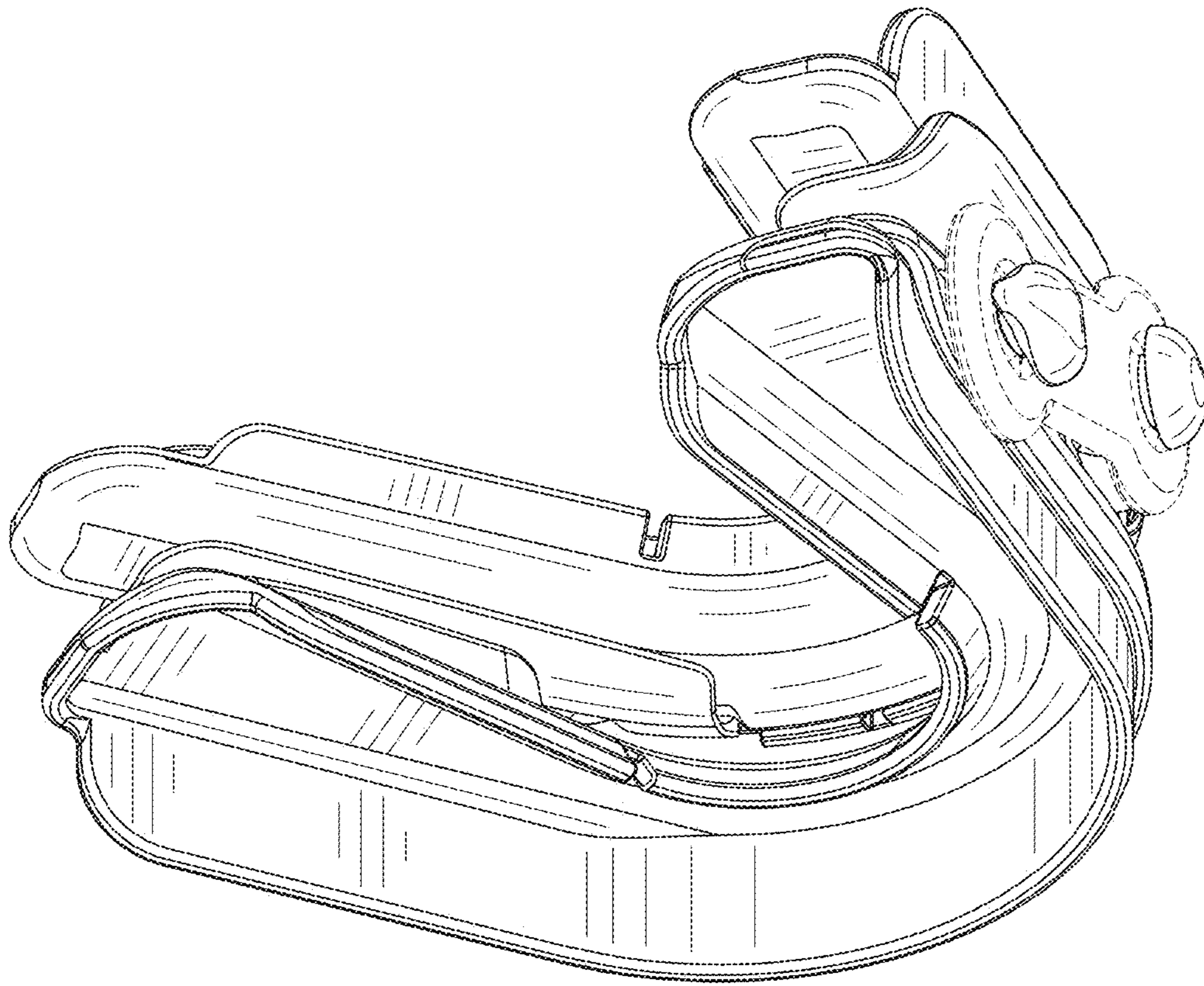


FIG. 2

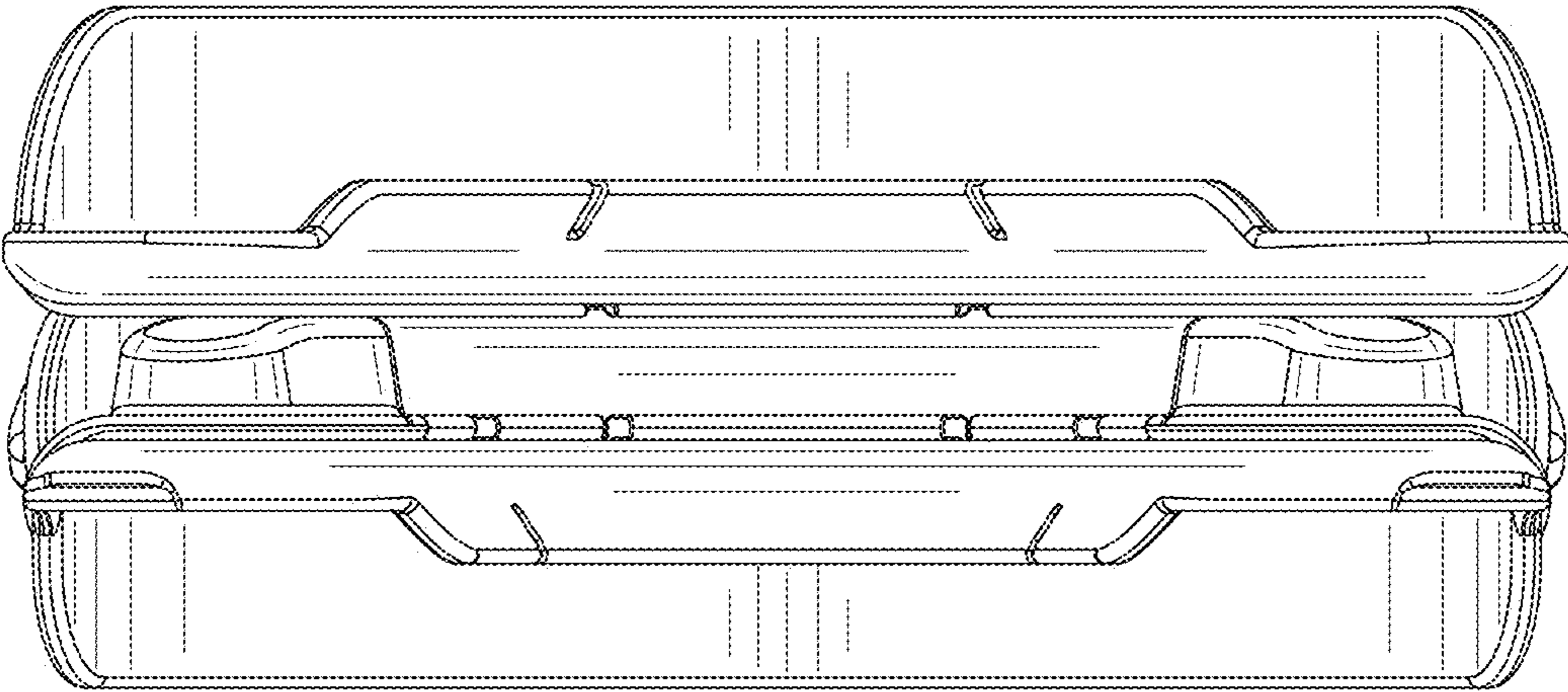


FIG. 3

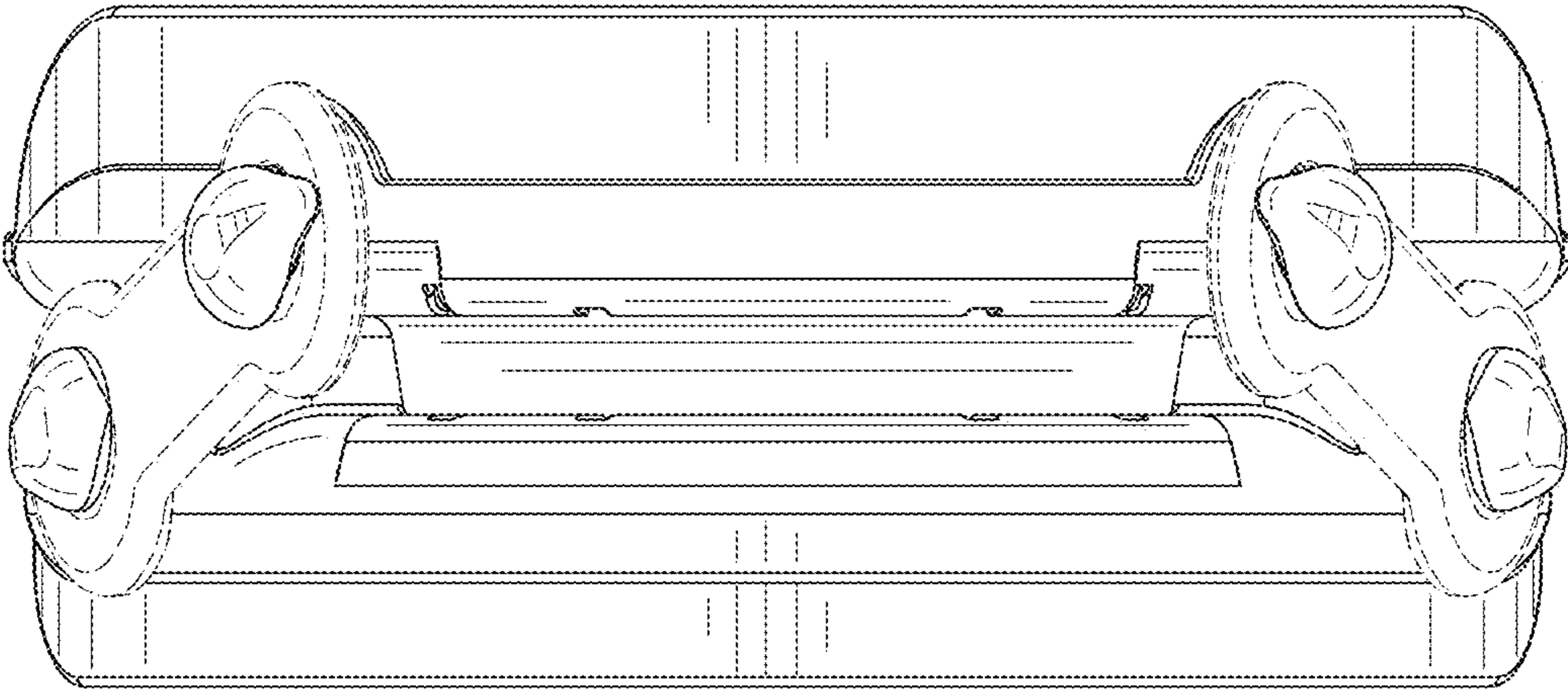


FIG. 4

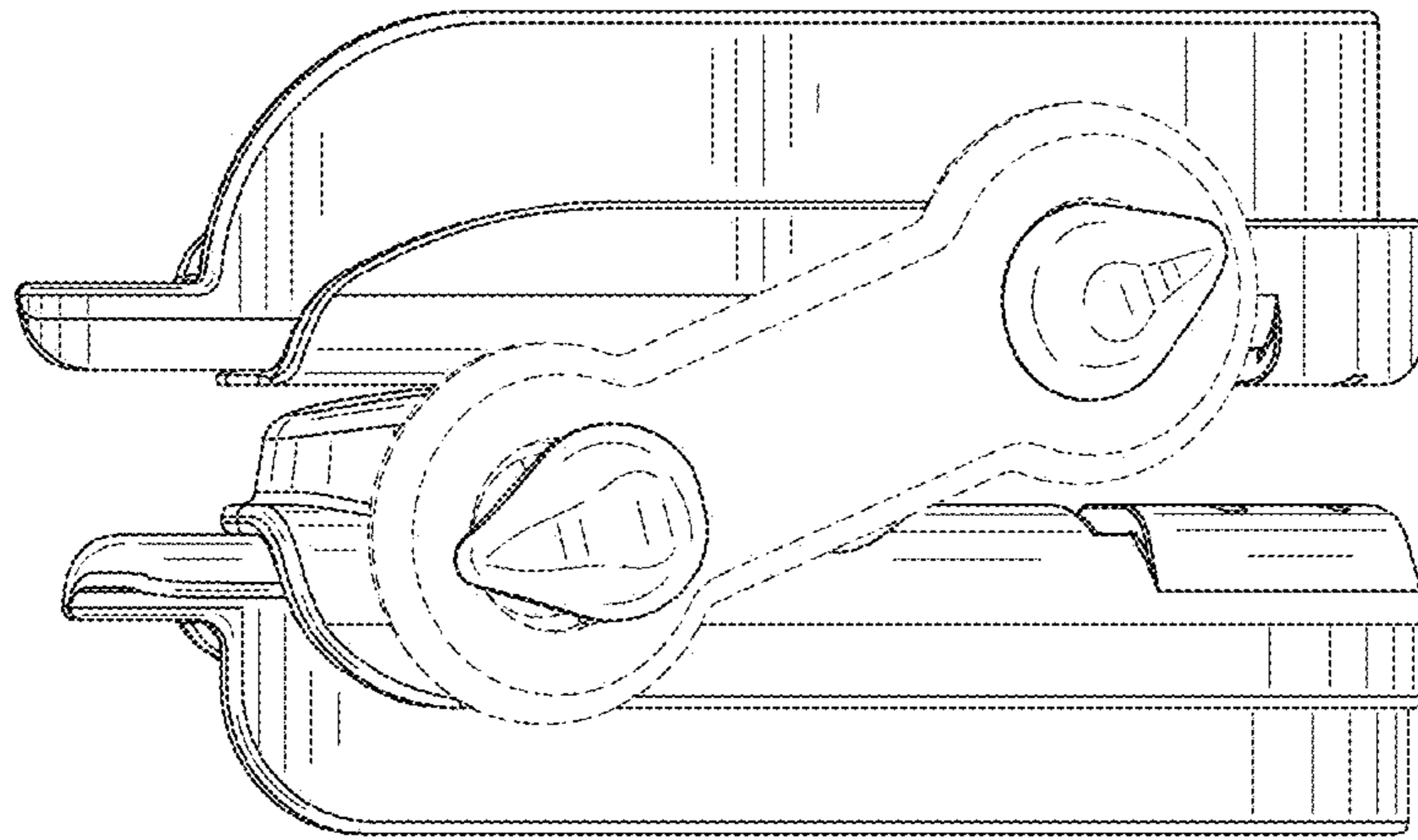


FIG. 5

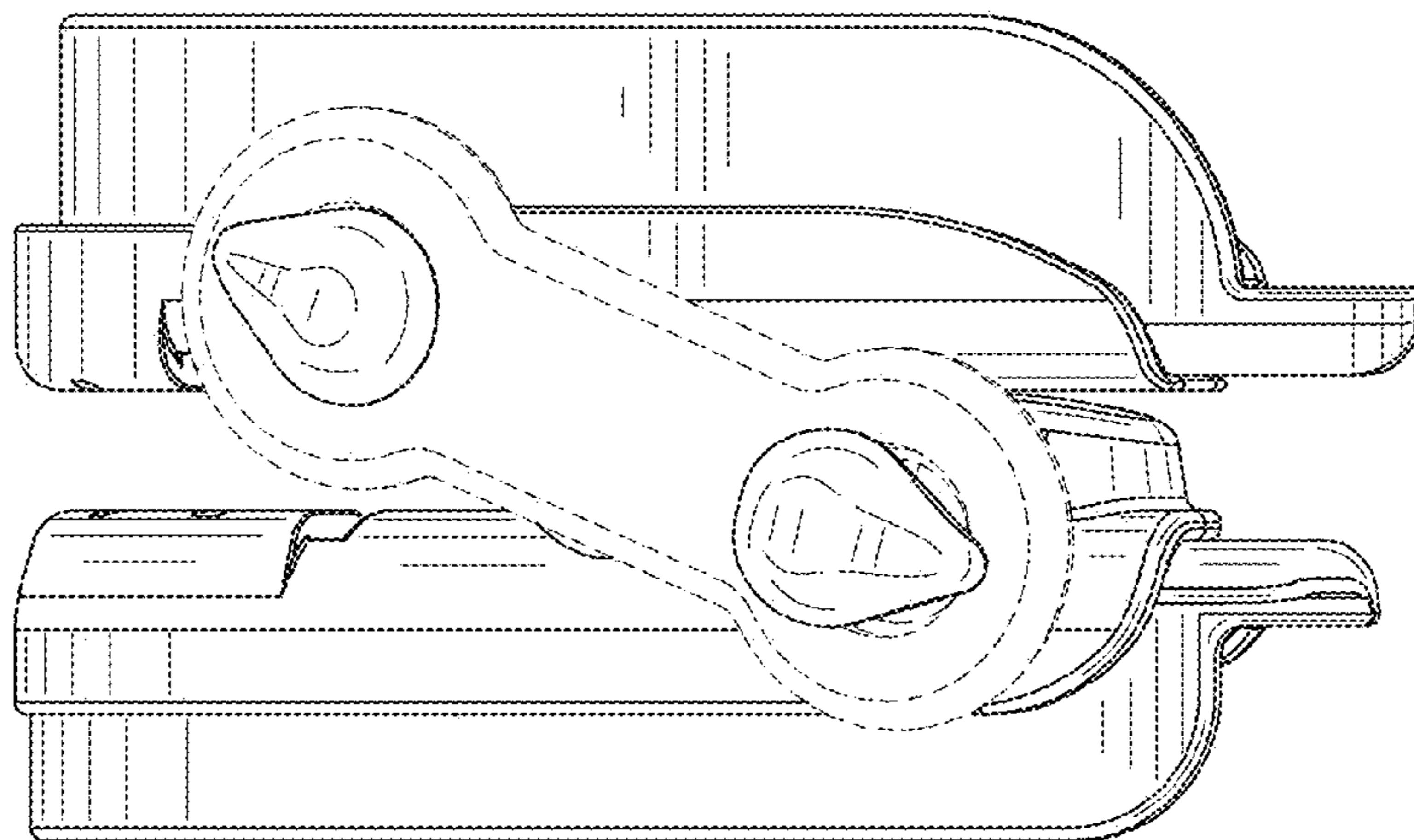


FIG. 6

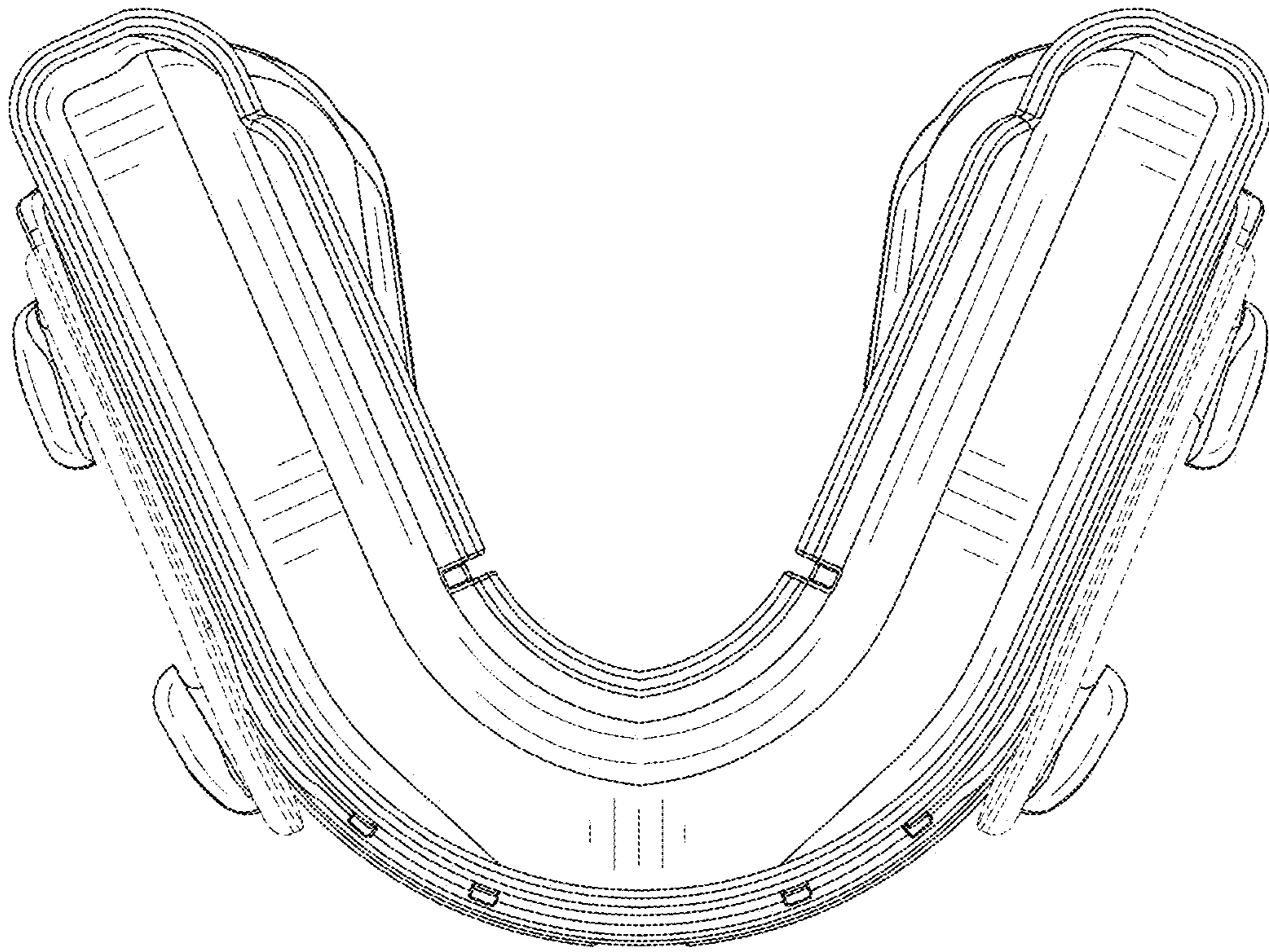


FIG. 7

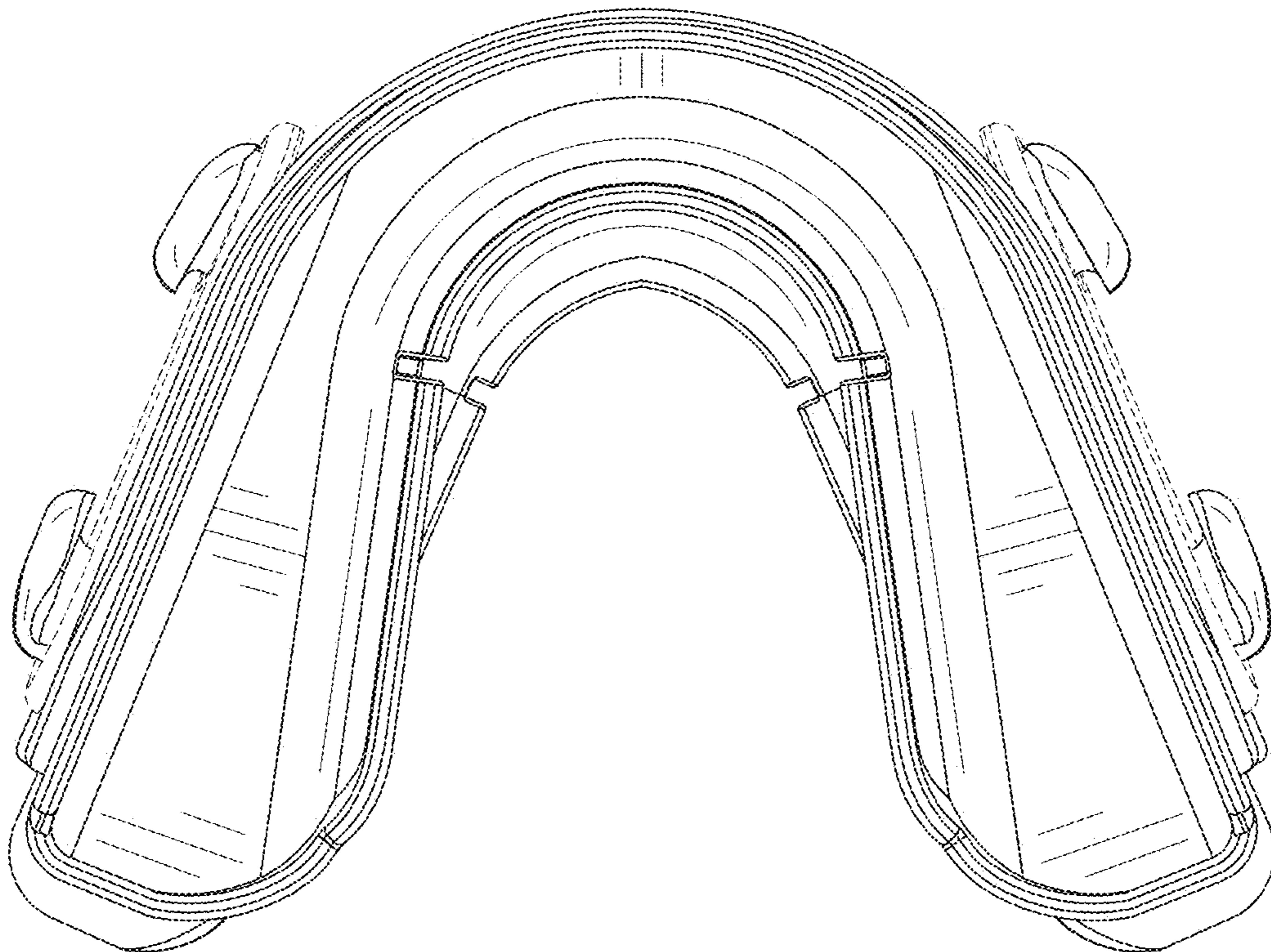


FIG. 8

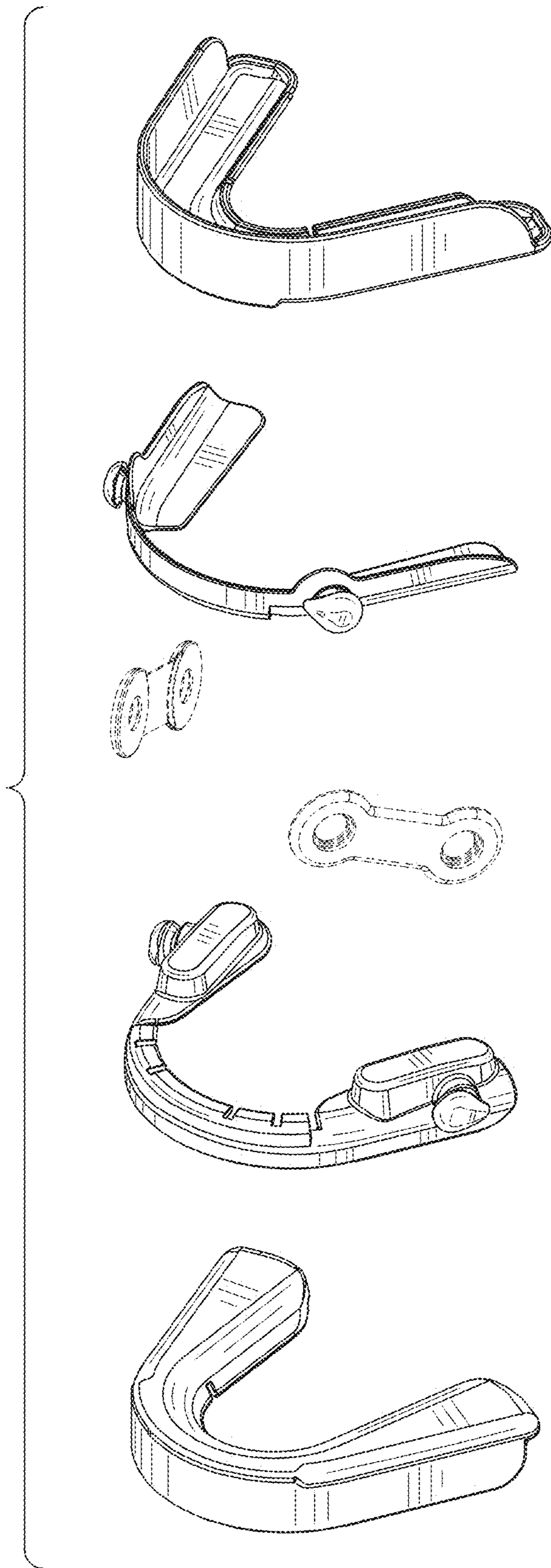


FIG. 9

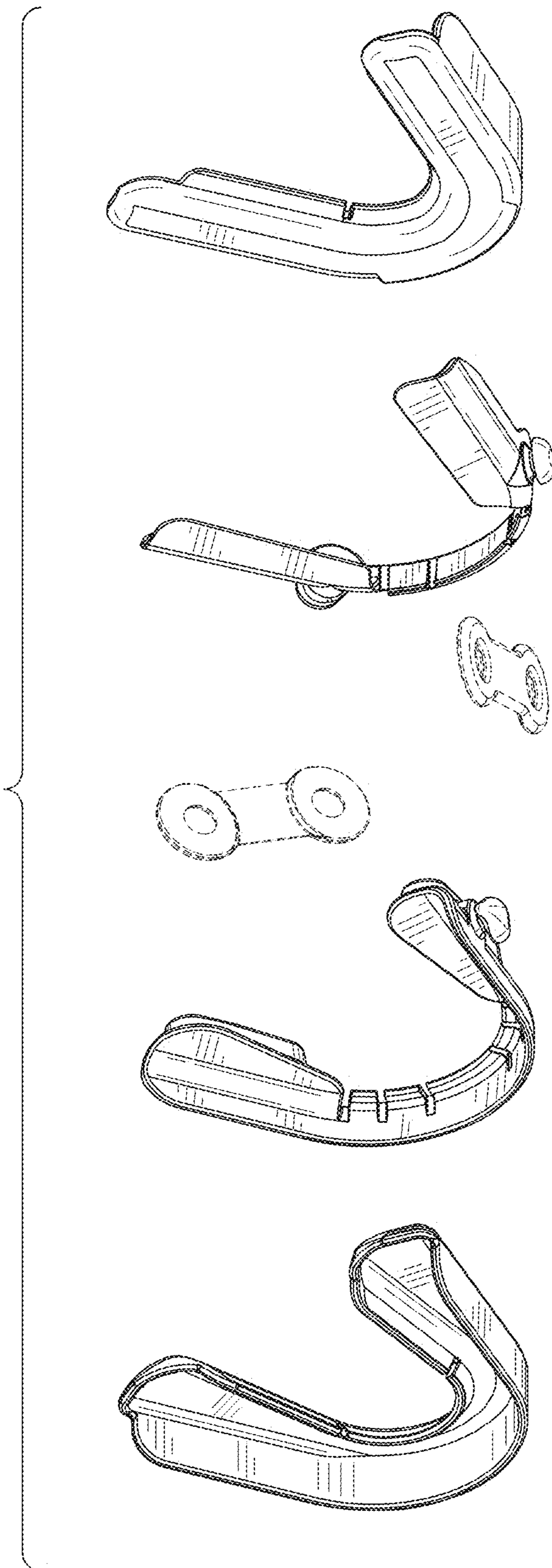


FIG. 10