



US00D970010S

(12) **United States Design Patent** (10) **Patent No.:** **US D970,010 S**  
**Abenaim** (45) **Date of Patent:** **\*\* Nov. 15, 2022**

(54) **SCAN BODY WITH SCREW**  
(71) Applicant: **Jonathan Abenaim**, Hawthorne, NJ  
(US)  
(72) Inventor: **Jonathan Abenaim**, Hawthorne, NJ  
(US)  
(\*\*) Term: **15 Years**  
(21) Appl. No.: **29/785,106**  
(22) Filed: **May 24, 2021**  
(51) **LOC (13) Cl.** ..... **24-03**  
(52) **U.S. Cl.**  
USPC ..... **D24/156**  
(58) **Field of Classification Search**  
USPC ..... D24/156  
CPC ..... A61C 8/00; A61C 8/0089; A61C 8/0069;  
A61C 8/0054; A61C 8/0096; A61C  
8/0039; A61C 8/0063; A61C 8/006; A61C  
8/0001; A61C 8/0012; A61C 8/0075;  
A61C 8/0083; A61C 13/225  
See application file for complete search history.

(56) **References Cited**  
U.S. PATENT DOCUMENTS  
D523,145 S \* 6/2006 Gabrielsson ..... D24/156  
D573,259 S \* 7/2008 Park ..... D8/387  
D587,373 S \* 2/2009 Purga ..... D24/156  
D612,056 S \* 3/2010 White, III ..... D24/156  
D641,877 S \* 7/2011 Aldecoa ..... D24/156  
D642,271 S \* 7/2011 Anitua Aldecoa ..... D24/156  
D652,929 S \* 1/2012 Sibhatu ..... D8/387  
D663,419 S \* 7/2012 Mashio ..... D24/156  
D667,955 S \* 9/2012 Spahn ..... D24/156

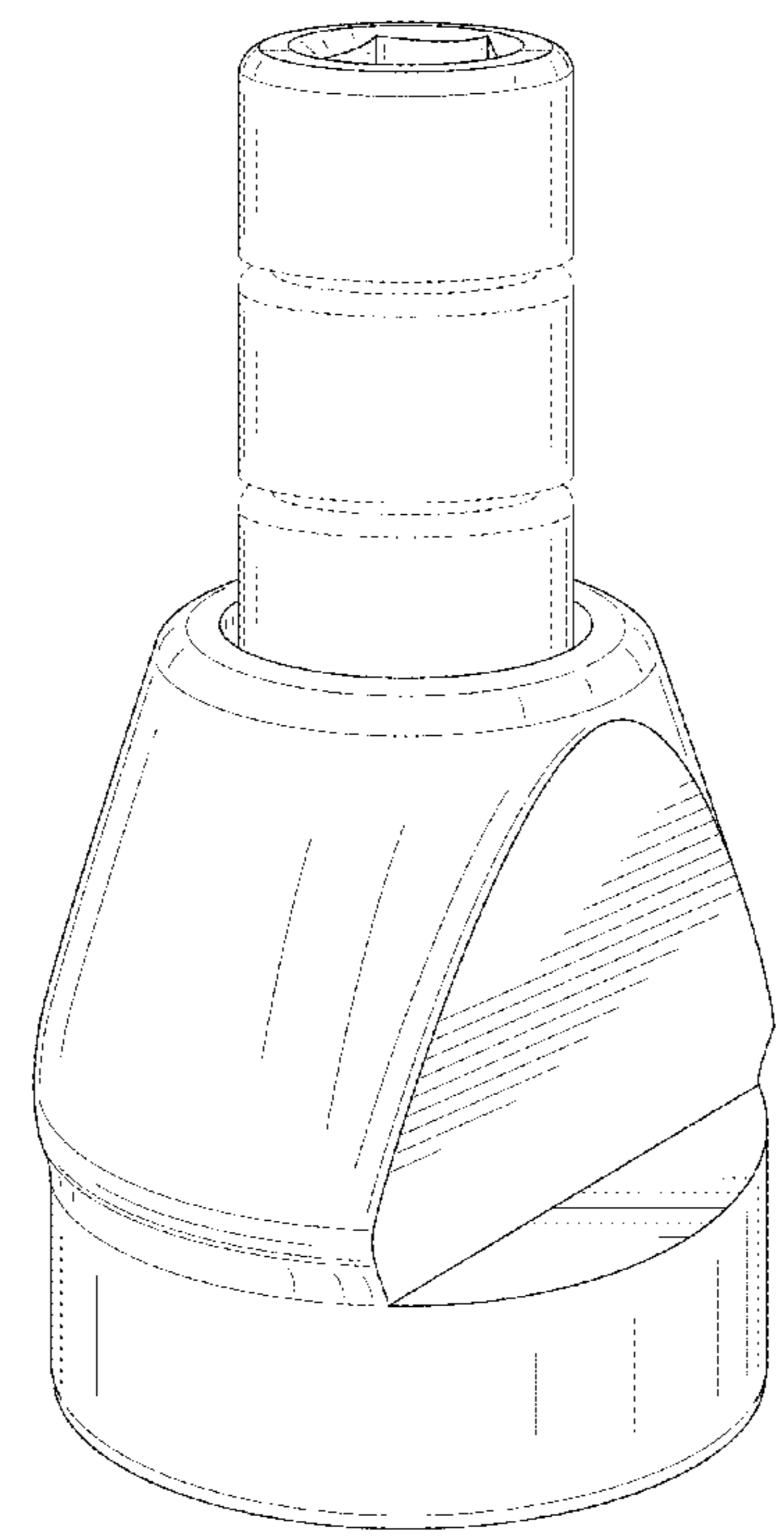
D729,387 S \* 5/2015 Sicurelli ..... D24/156  
D732,669 S \* 6/2015 Fisler ..... D24/156  
D765,862 S \* 9/2016 Schendel ..... D24/156  
D800,308 S \* 10/2017 LeBeau ..... A61C 19/05  
D24/156  
D808,016 S \* 1/2018 Kim ..... D24/156  
D808,525 S \* 1/2018 Kim ..... D24/156  
D817,493 S \* 5/2018 Cho ..... D24/152  
D906,522 S \* 12/2020 Park ..... D24/156  
D946,757 S \* 3/2022 Mirelez, Jr. .... D24/156  
D946,758 S \* 3/2022 Mirelez, Jr. .... D24/156  
D946,759 S \* 3/2022 Mirelez, Jr. .... D24/156  
D946,760 S \* 3/2022 Mirelez, Jr. .... D24/156

\* cited by examiner  
*Primary Examiner* — Charles D Hanson  
(74) *Attorney, Agent, or Firm* — Cozen O'Connor

(57) **CLAIM**  
The ornamental design for a scan body with screw, as shown and described.

**DESCRIPTION**  
FIG. 1 is a front, perspective view of a scan body with screw according to the design;  
FIG. 2 is a left side view thereof;  
FIG. 3 is a right side view thereof;  
FIG. 4 is a rear view thereof;  
FIG. 5 is a front view thereof;  
FIG. 6 is a top view;  
FIG. 7 is a bottom view; and,  
FIG. 8 is a cross sectional view.  
The features shown in dashed lines do not make up part of the claimed design.

**1 Claim, 8 Drawing Sheets**



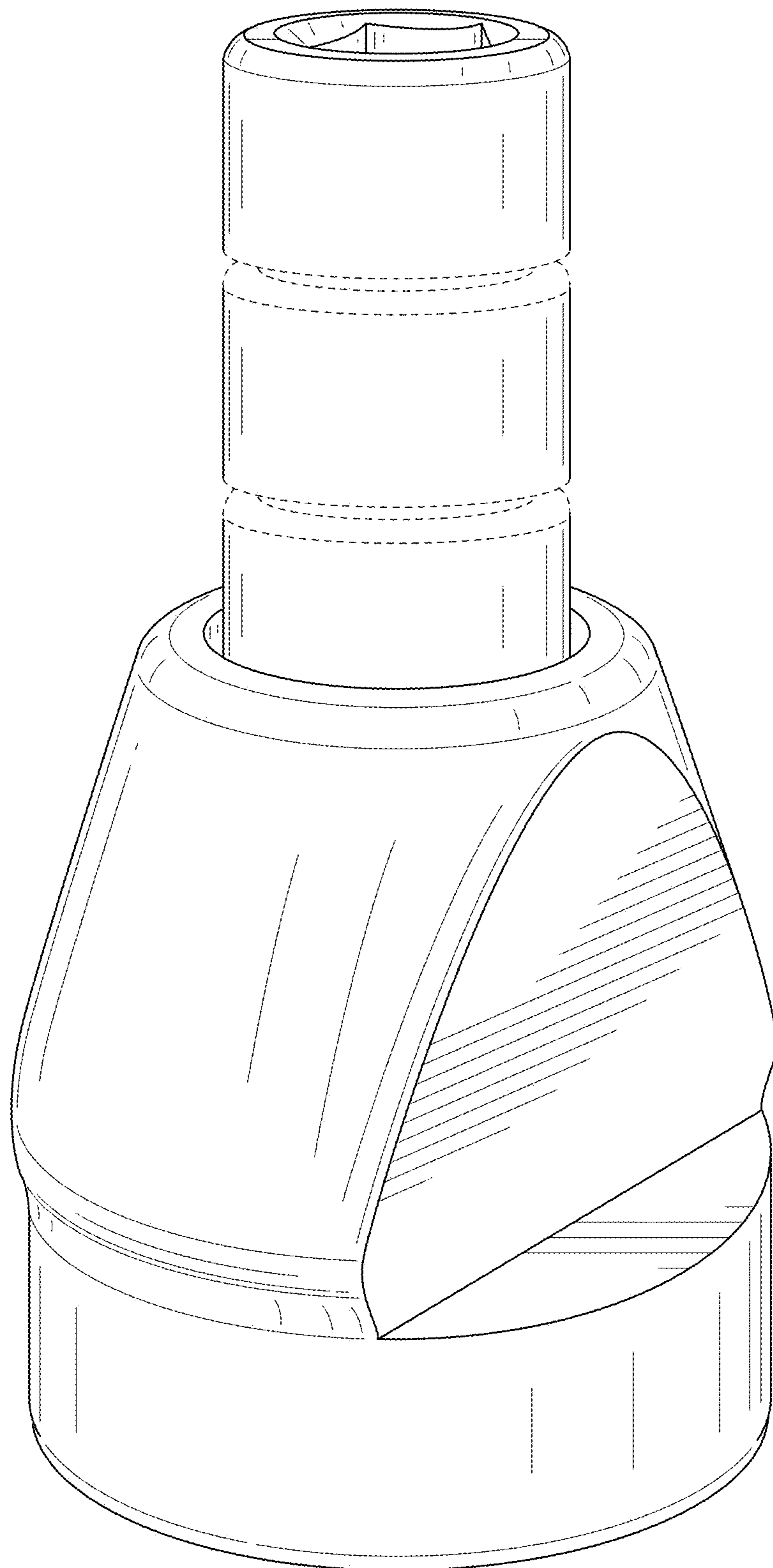


FIG. 1

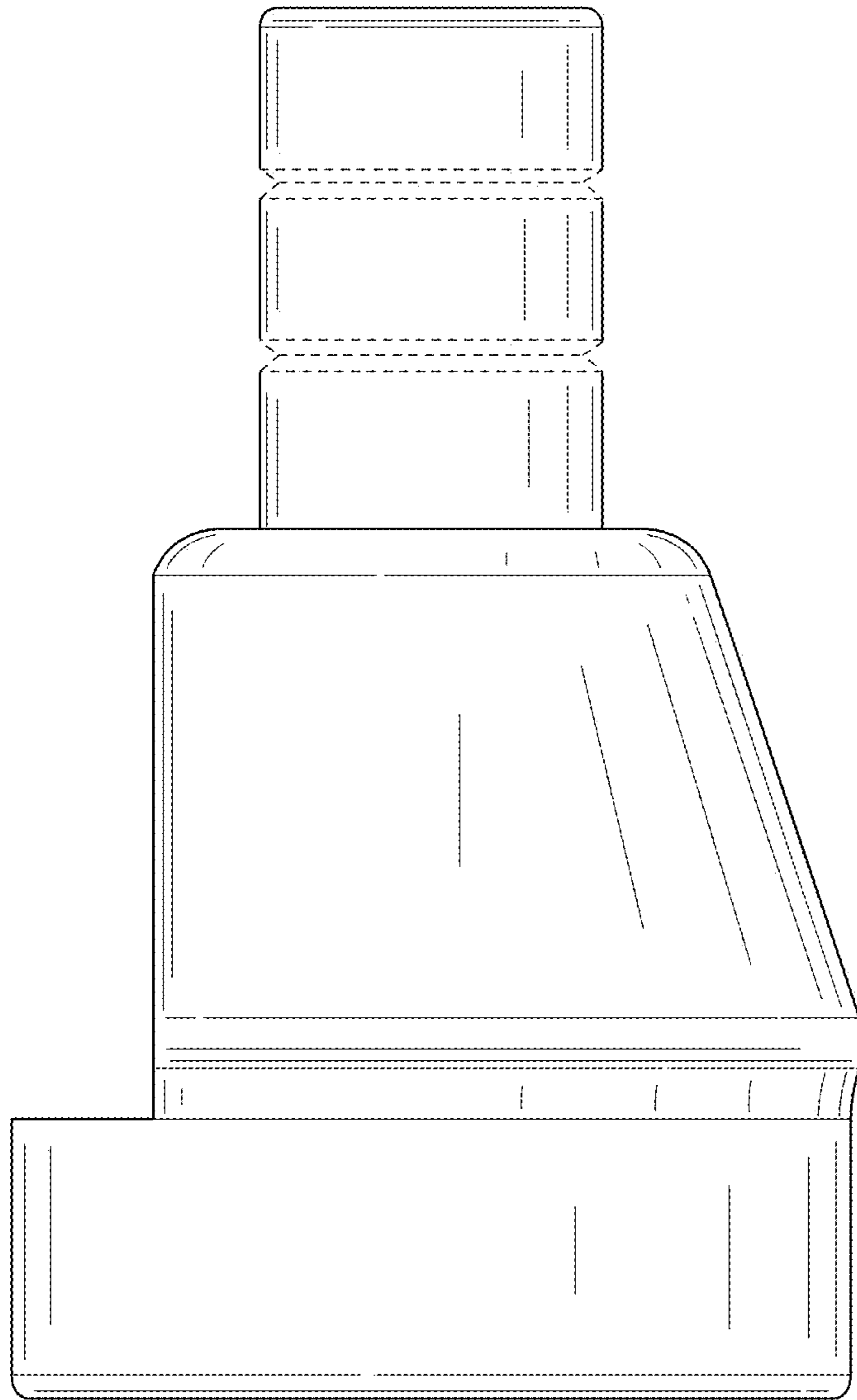


FIG. 2

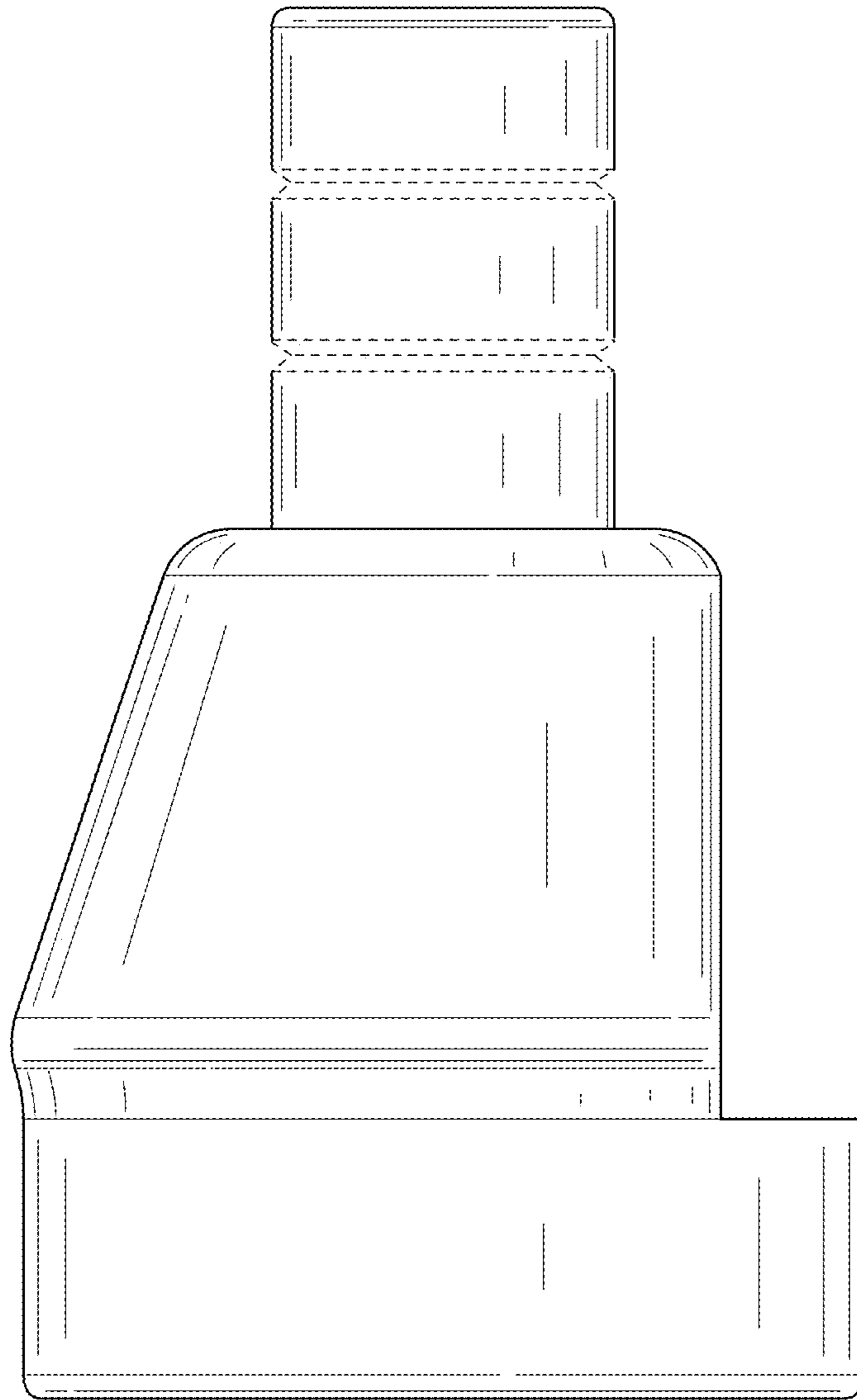


FIG. 3

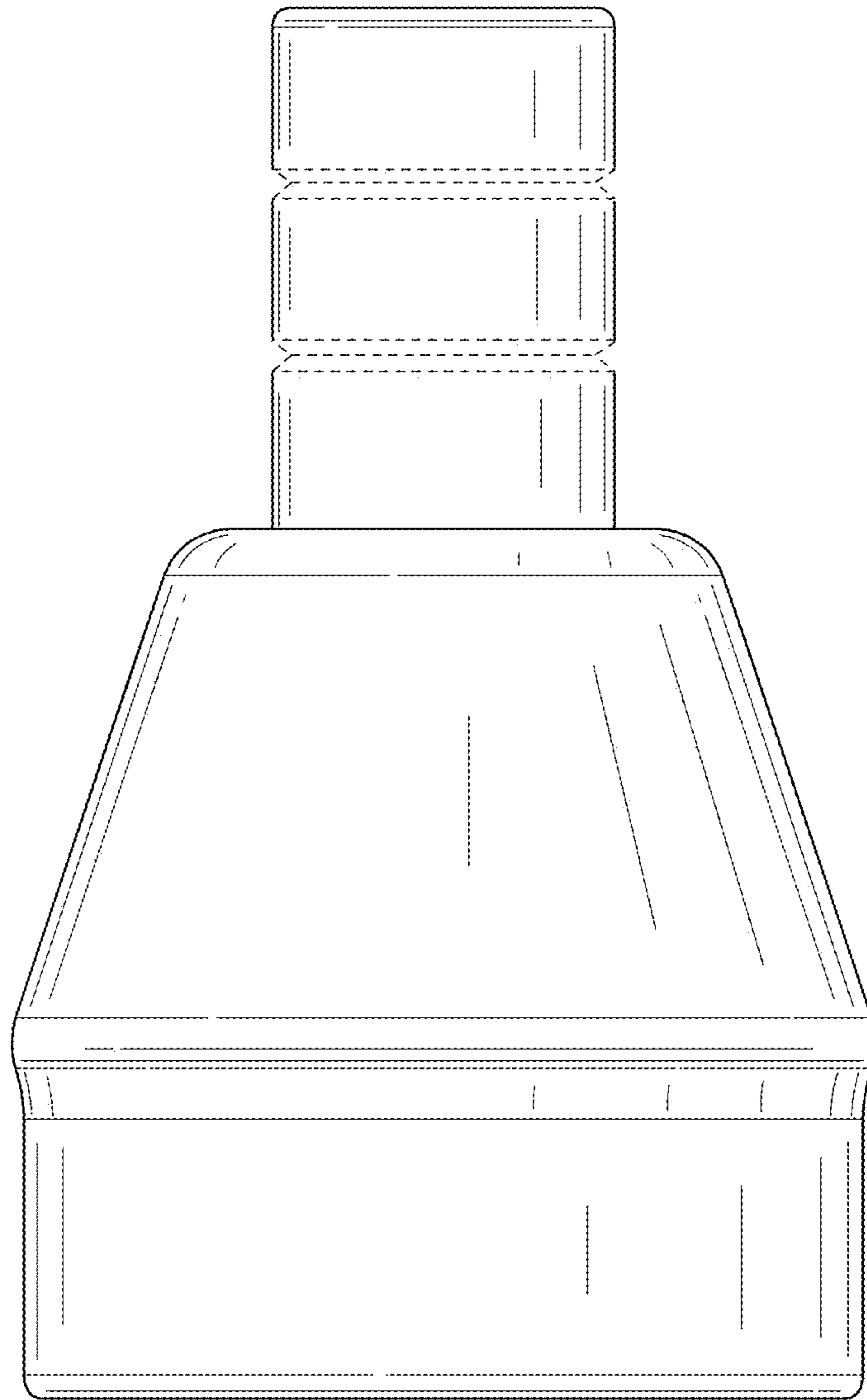


FIG. 4

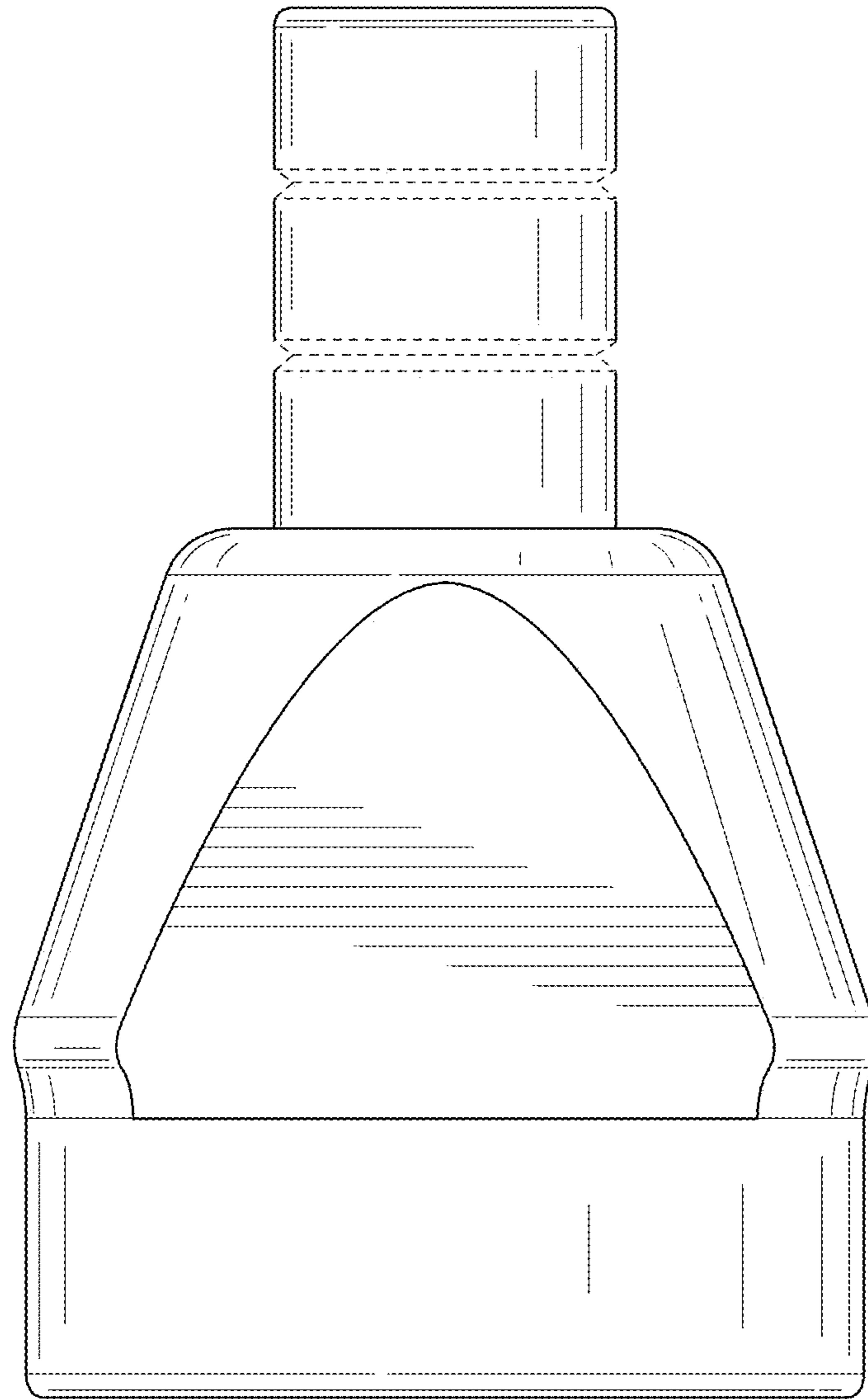


FIG. 5

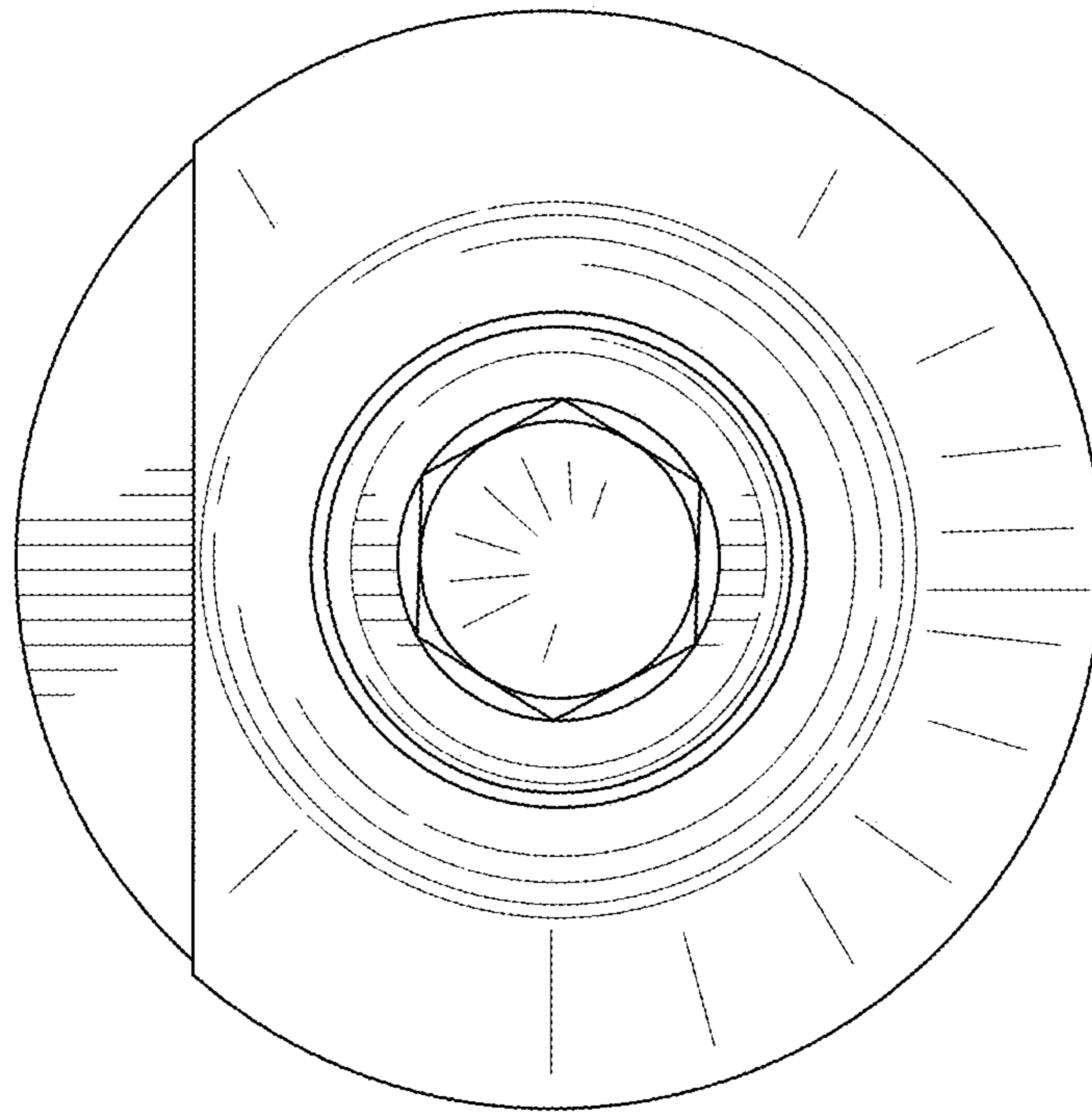


FIG. 6

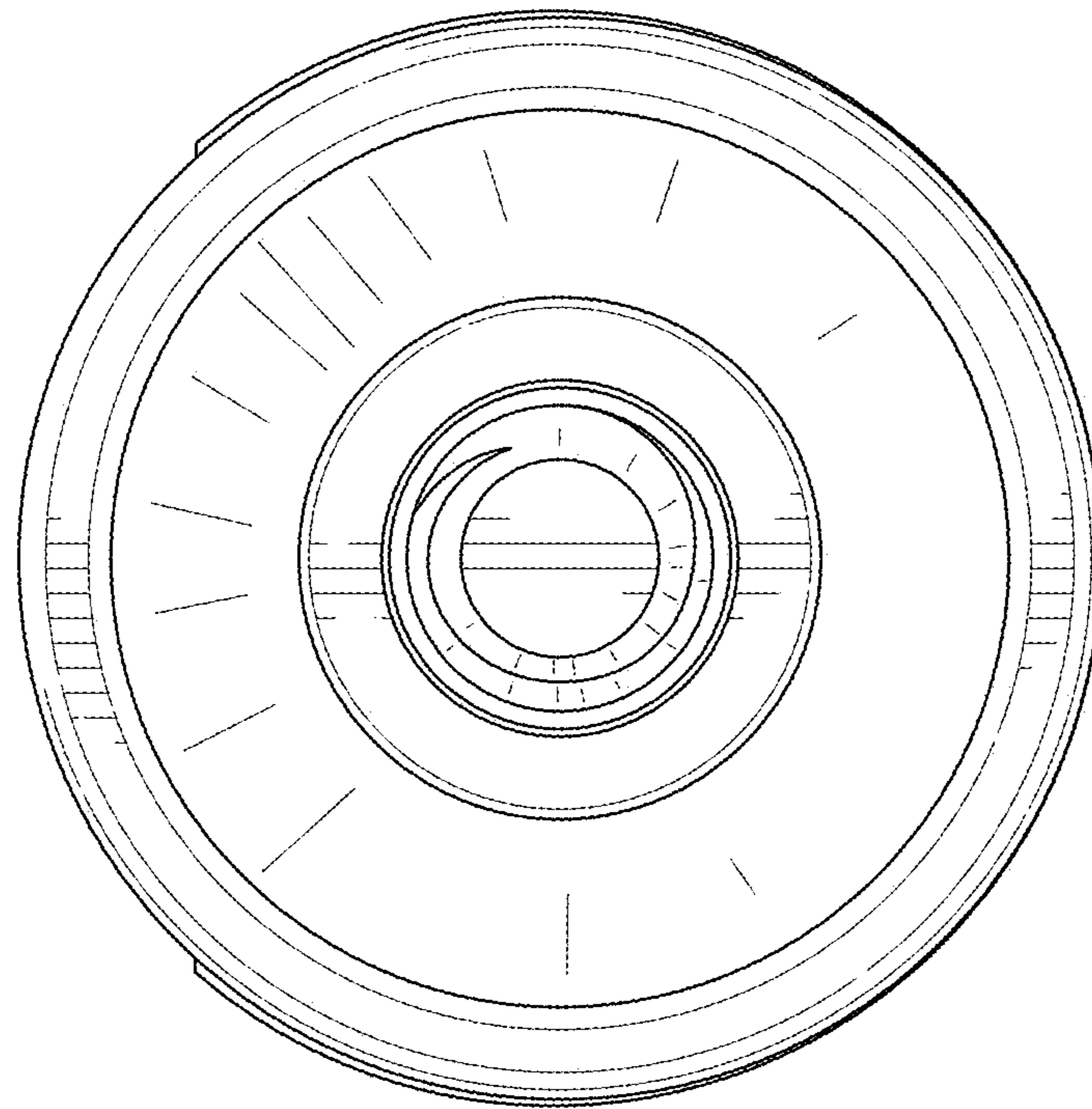


FIG. 7



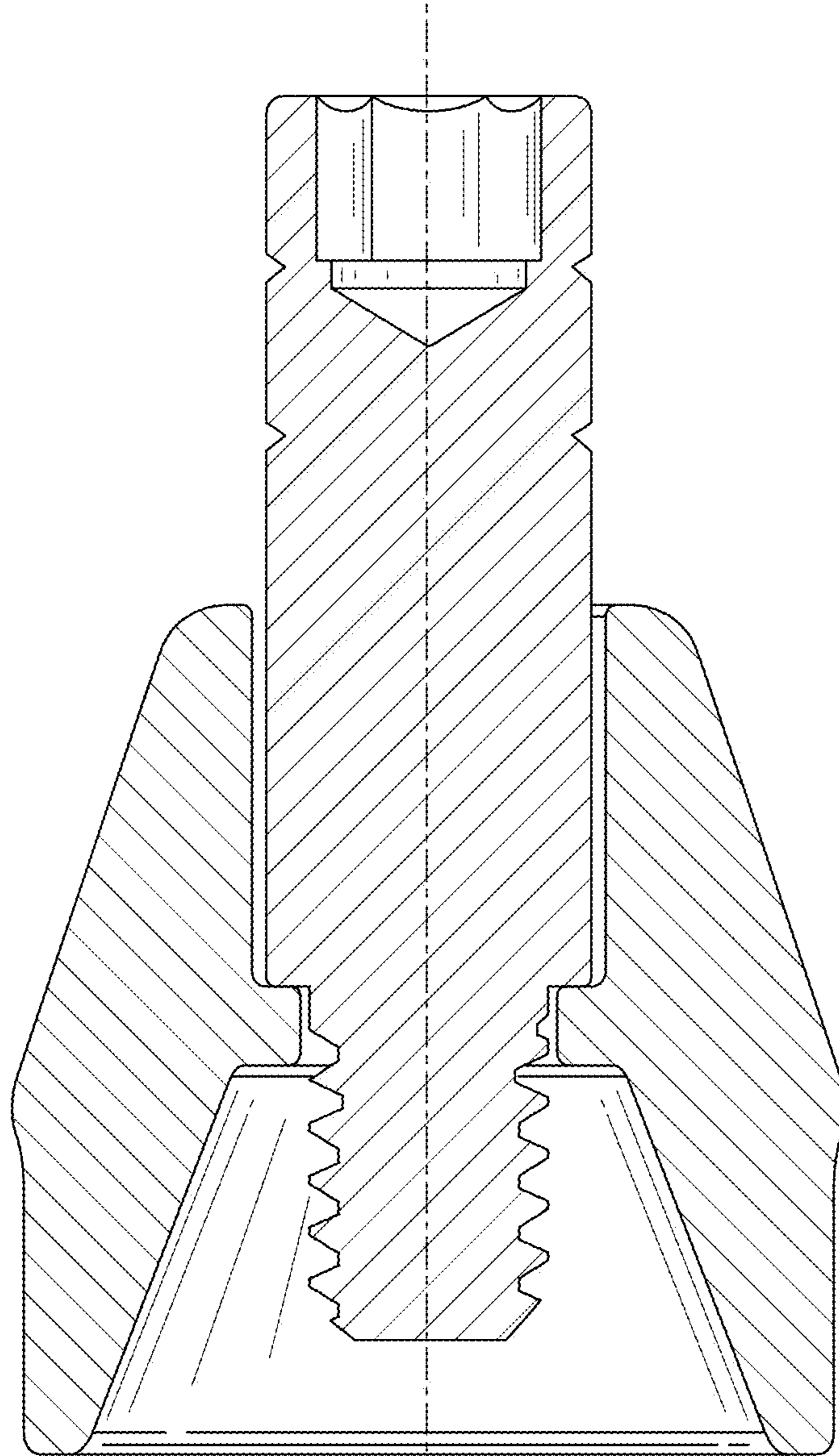


FIG. 8