



US00D970008S

(12) **United States Design Patent** (10) **Patent No.:** **US D970,008 S**
Reil et al. (45) **Date of Patent:** **** Nov. 15, 2022**

(54) **BODY PIERCING INSTRUMENT** 5,263,960 A 11/1993 Mann
D347,895 S * 6/1994 Mann D24/140
(71) Applicant: **Goran Reil**, Gardena, CA (US) 5,350,394 A * 9/1994 Mann A44C 7/001
606/188
(72) Inventors: **Vladimir Reil**, Rancho Palos Verdes, CA (US); **Goran Reil**, Las Vegas, NV (US) 5,389,105 A 2/1995 Mann
5,395,381 A 3/1995 Green et al.
D366,316 S 1/1996 Reil
5,496,343 A 3/1996 Reil

(**) Term: **15 Years**

(21) Appl. No.: **29/750,174**

(22) Filed: **Sep. 11, 2020**

Related U.S. Application Data

(63) Continuation of application No. 15/611,658, filed on Jun. 1, 2017, now Pat. No. 10,798,999.

(51) **LOC (13) Cl.** **24-02**

(52) **U.S. Cl.**
USPC **D24/146**

(58) **Field of Classification Search**

USPC D24/100, 105, 107, 108, 110, 111, 112,
D24/113, 114, 115, 116, 117, 118, 119,
D24/140, 141, 144, 146, 147, 223, 224,
D24/228; D28/7

CPC A44C 7/001; A44C 15/0035; A44C 7/00;
A44C 7/003; A61B 17/00; A61B 17/34;
A61B 2017/0023

See application file for complete search history.

(56) **References Cited**

U.S. PATENT DOCUMENTS

D241,175 S * 8/1976 Mann D24/146
D242,392 S * 11/1976 Moore D24/146
4,030,507 A 6/1977 Mann
4,146,032 A 3/1979 Rubenstein et al.
4,474,572 A 10/1984 McNaughton et al.
4,527,563 A 7/1985 Reil
5,004,471 A 4/1991 Mann
5,007,918 A * 4/1991 Mann A44C 7/001
63/13

FOREIGN PATENT DOCUMENTS

EP 0415777 A1 3/1991

OTHER PUBLICATIONS

PCT International Search Report and Written Opinion of International Application No. PCT/US2018/035316, dated Sep. 3, 2018.

Primary Examiner — Samantha Q Lawrence
(74) *Attorney, Agent, or Firm* — Canady & Lortz LLP;
Bradley K. Lortz

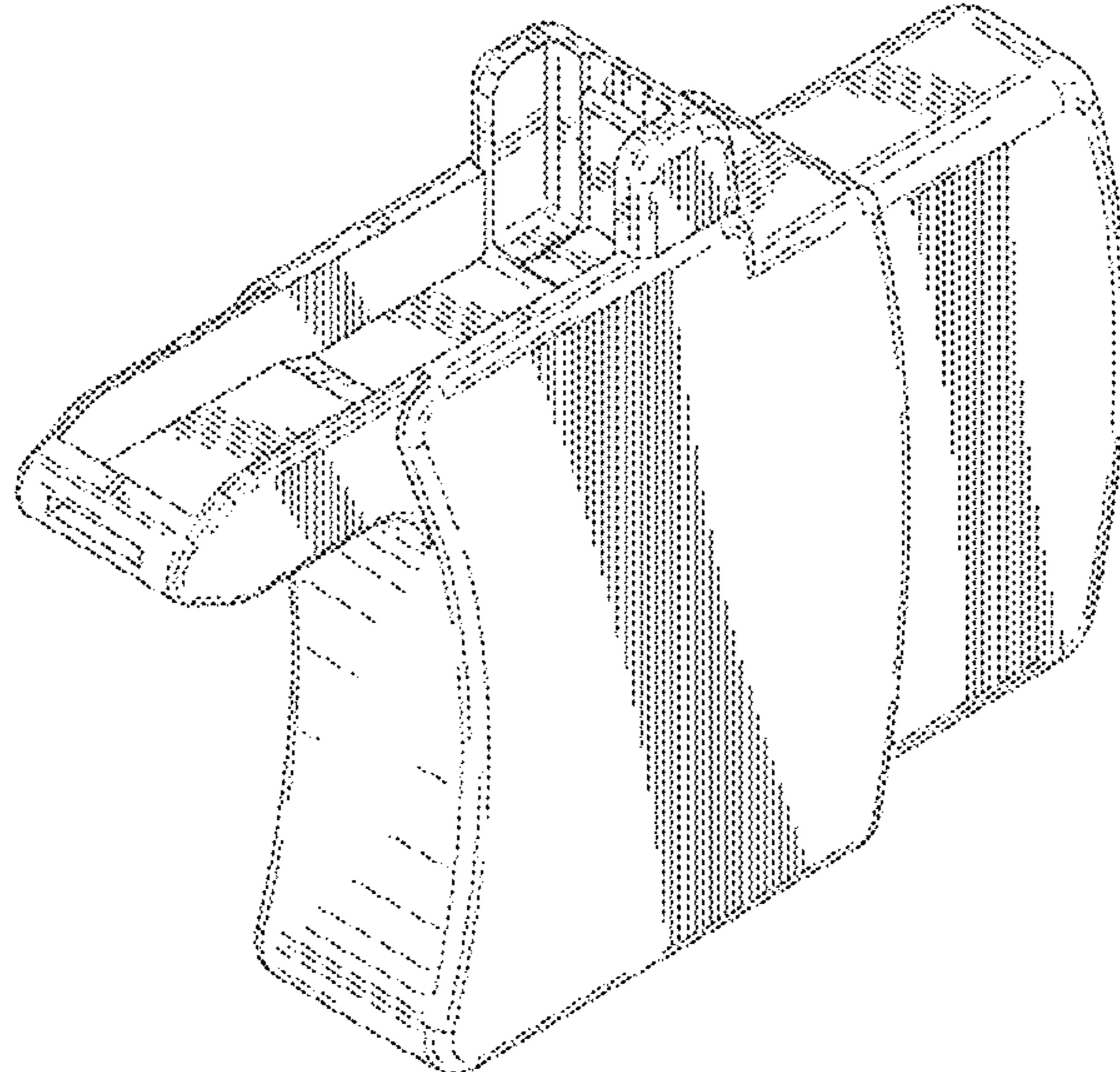
(57) **CLAIM**

The ornamental design for a body piercing instrument, as shown and described.

DESCRIPTION

FIG. 1 is a perspective view of a body piercing instrument, showing the new design;
FIG. 2 is a rear lower perspective view thereof;
FIG. 3 is a front elevation view thereof, where the rear elevation view is a mirror image of the front elevation view;
FIG. 4 is a right elevation view thereof;
FIG. 5 is a rear elevation view thereof, where the front elevation view is a mirror image of the rear elevation view;
FIG. 6 is a left elevation view thereof;
FIG. 7 is a top plan view thereof; and,
FIG. 8 is a bottom plan view thereof.

1 Claim, 6 Drawing Sheets



(56)

References Cited

U.S. PATENT DOCUMENTS

5,499,993	A	3/1996	Blomdahl et al.	
D384,302	S	9/1997	Reil	
5,709,700	A	1/1998	Hirota	
D392,042	S	3/1998	Reil	
5,792,170	A *	8/1998	Reil	A44C 7/001 606/188
5,868,774	A *	2/1999	Reil	A44C 7/001 606/188
D408,527	S *	4/1999	Coelho	D24/108
5,913,869	A	6/1999	Reil	
5,925,057	A *	7/1999	Blomdahl	A44C 7/001 606/188
6,036,712	A	3/2000	Blomdahl	
6,048,355	A *	4/2000	Mann	A44C 7/001 606/181
6,074,406	A	6/2000	Mann	
6,099,545	A	8/2000	Mann et al.	
6,599,306	B1 *	7/2003	Reil	A44C 7/001 606/188
7,955,349	B2	6/2011	Reil	
D823,467	S *	7/2018	Uetz	D24/147
2006/0224173	A1	10/2006	Reil et al.	
2008/0208237	A1 *	8/2008	Lei	A44C 7/001 606/188
2011/0238103	A1 *	9/2011	Reil	A44C 7/001 606/185
2011/0238104	A1 *	9/2011	Reil	A44C 7/001 269/1
2018/0055160	A1 *	3/2018	Reil	A44C 7/00
2018/0343988	A1 *	12/2018	Reil	A44C 7/001
2021/0282512	A1 *	9/2021	Abel	A44C 7/001

* cited by examiner

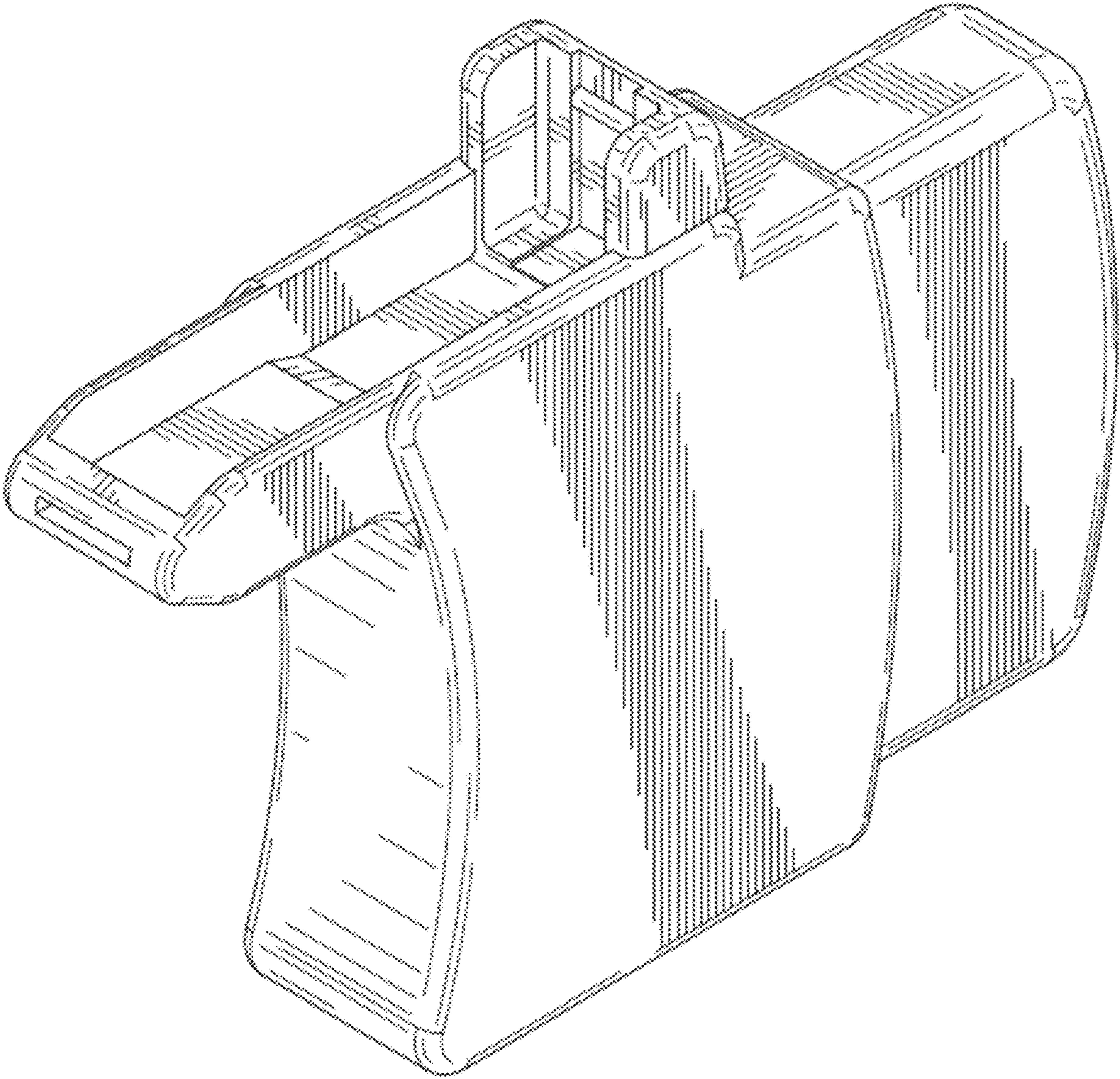


FIG. 1

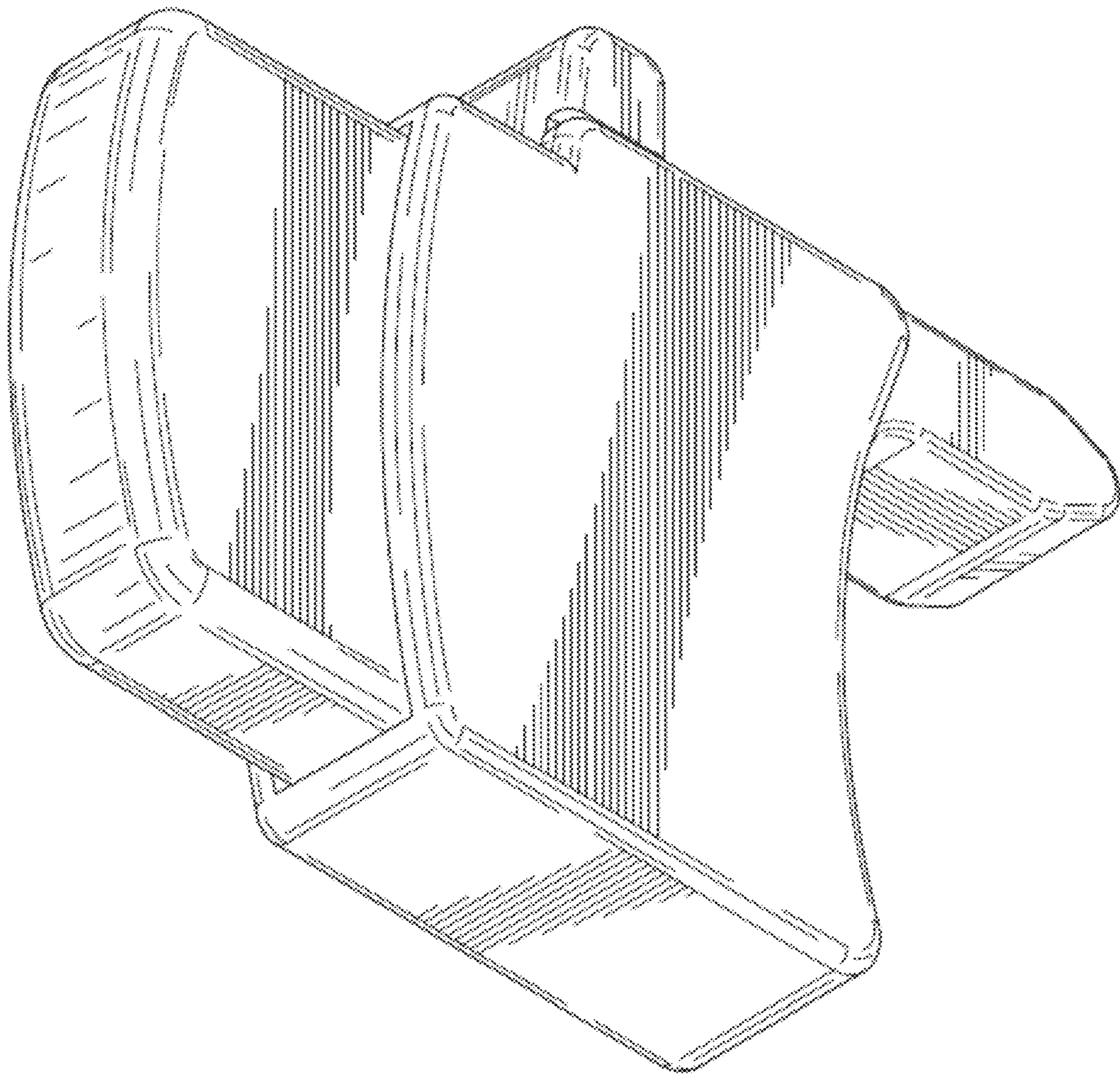


FIG. 2

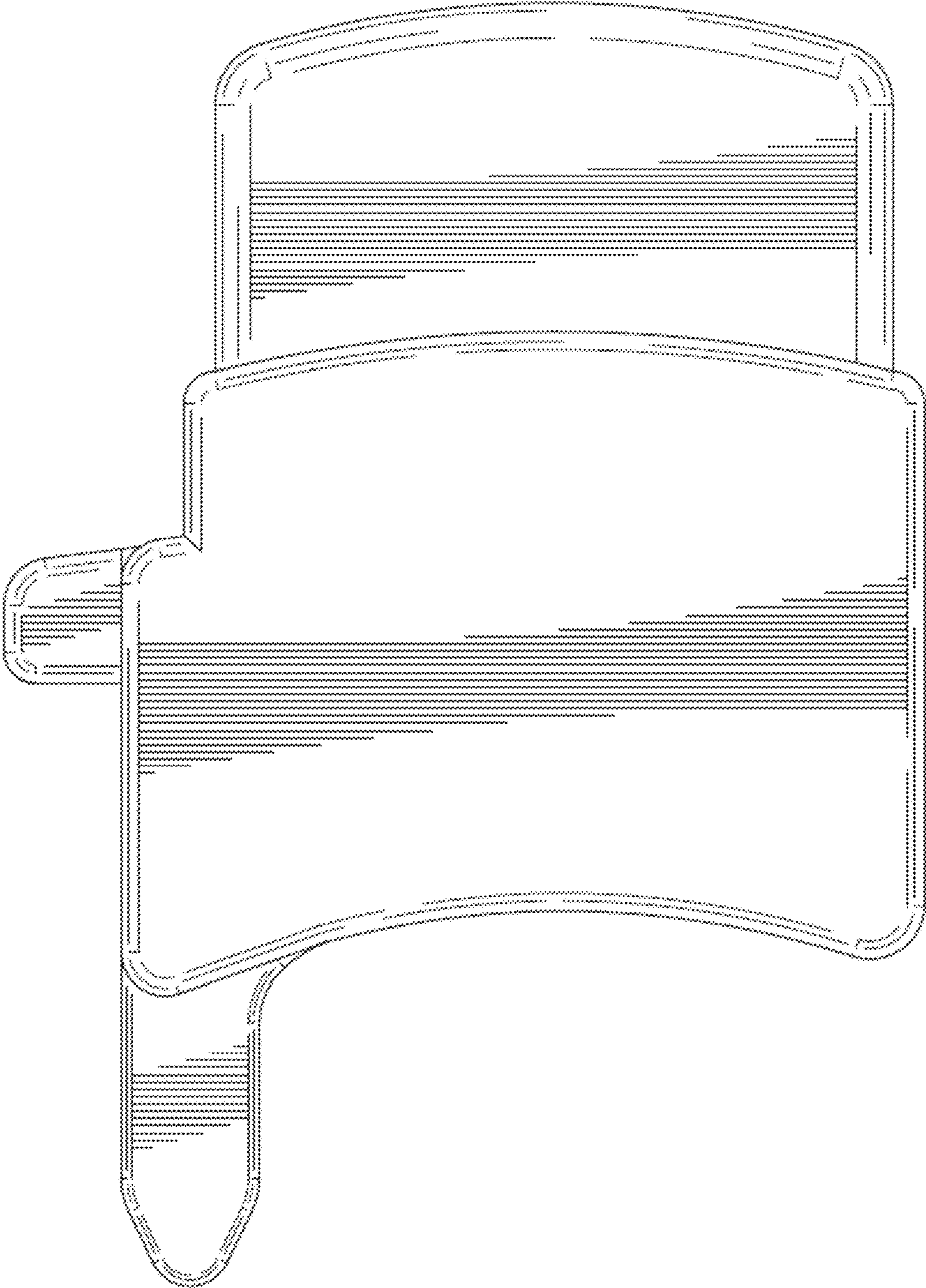


FIG. 3

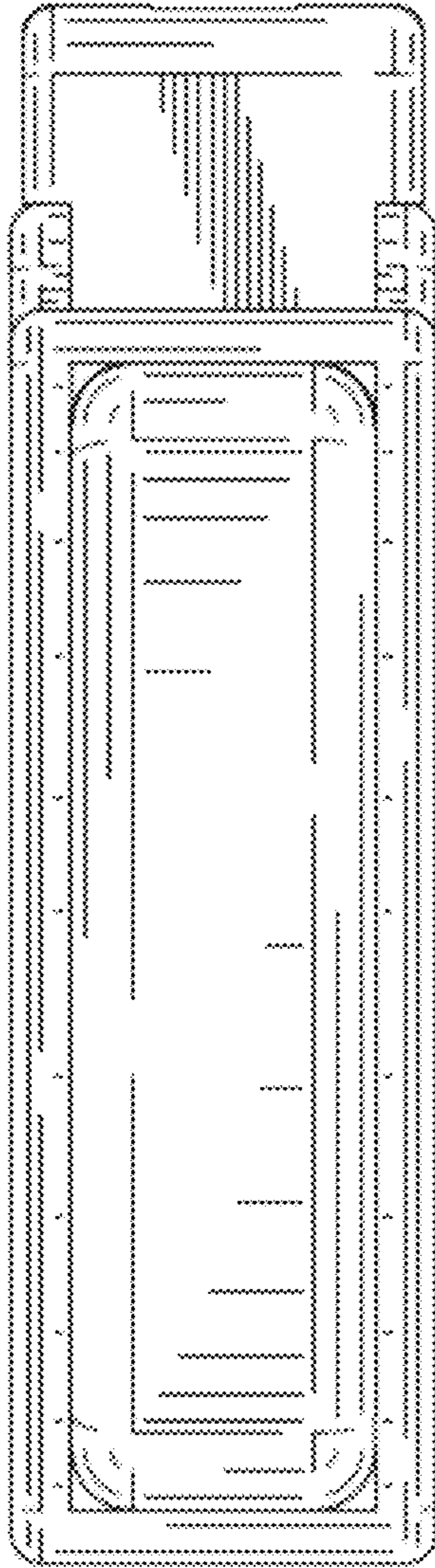


FIG. 4

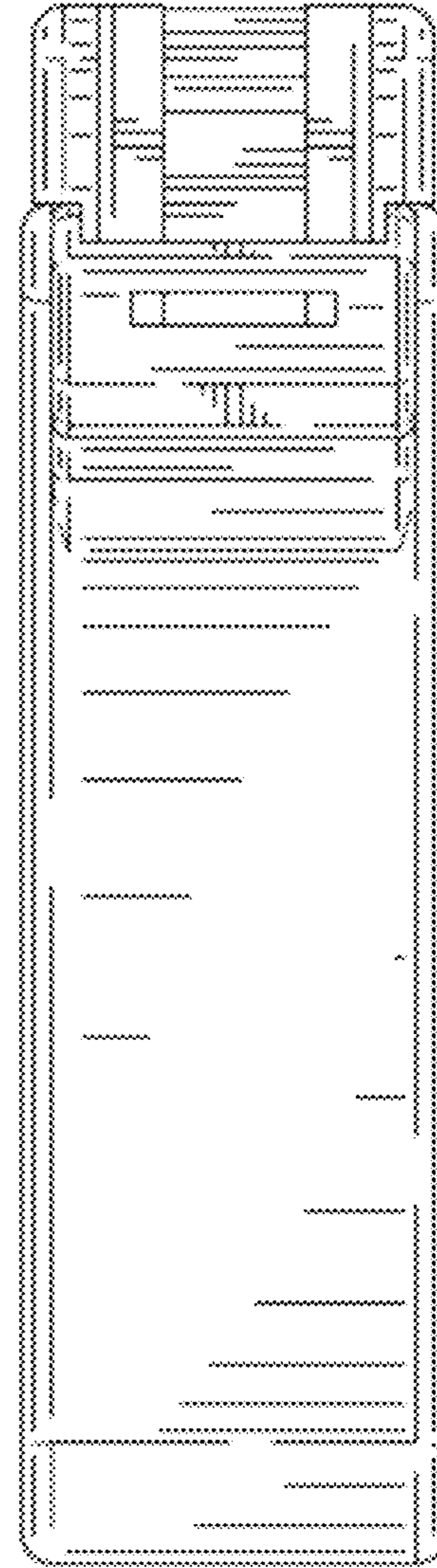


FIG. 6

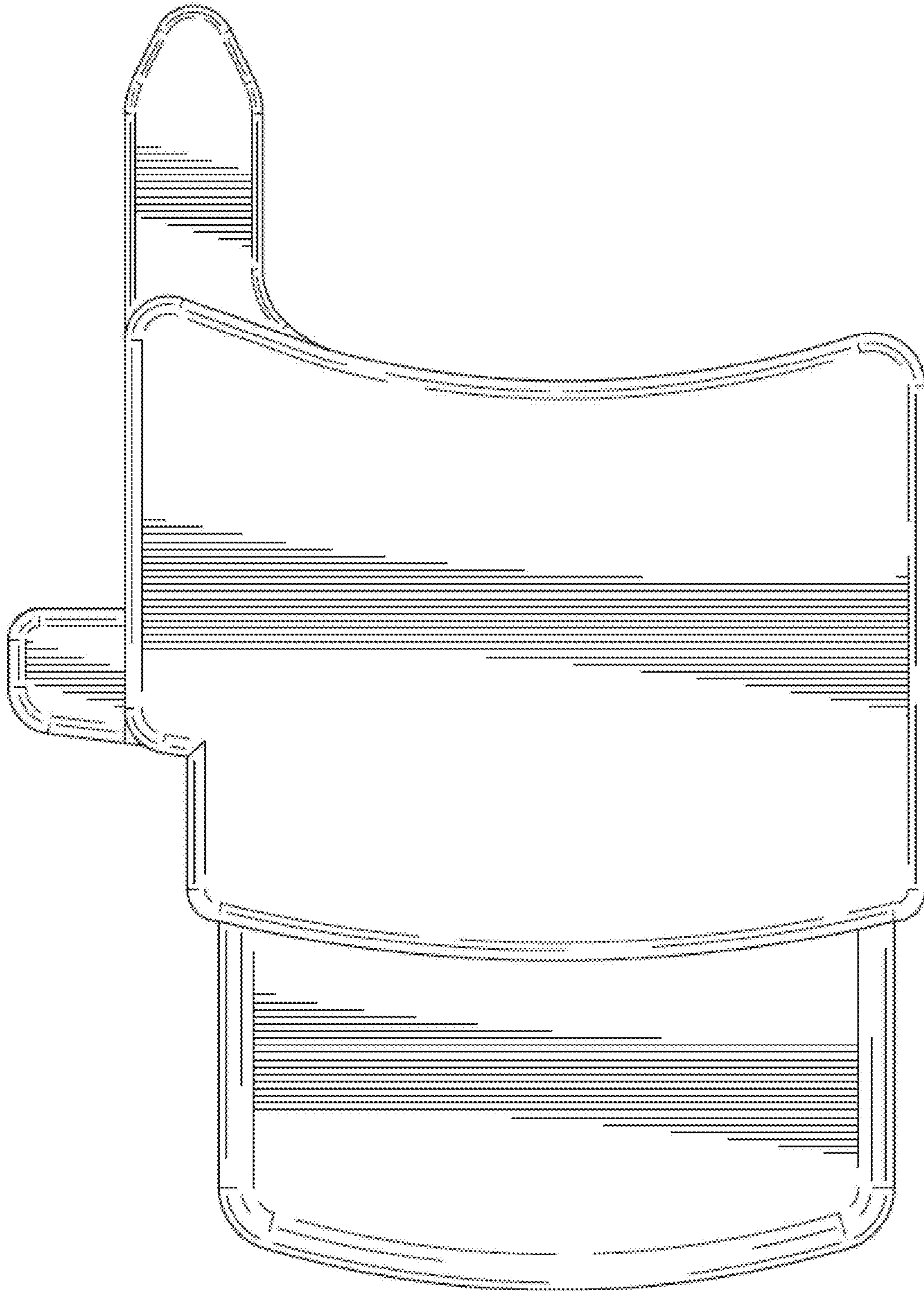


FIG. 5

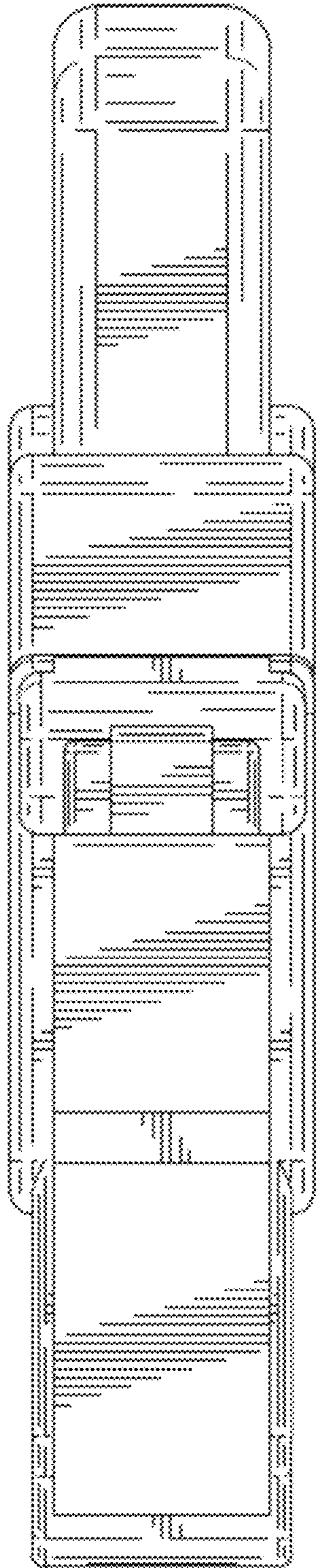


FIG. 7

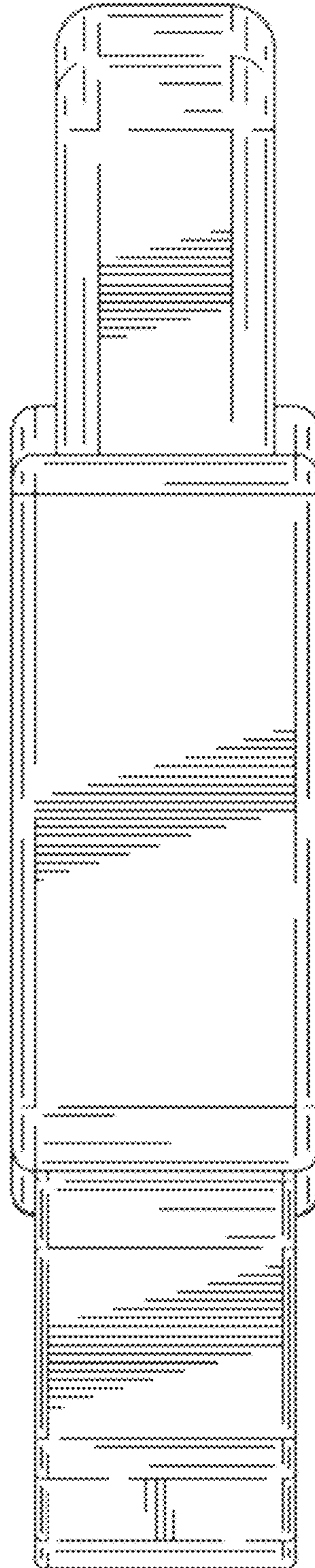


FIG. 8