



US00D970007S

(12) **United States Design Patent**
Parcon

(10) **Patent No.:** **US D970,007 S**

(45) **Date of Patent:** **** Nov. 15, 2022**

(54) **TATTOO CARTRIDGE**

(71) Applicant: **ImportLA, LLC**, Orange, CA (US)

(72) Inventor: **Jadeanne Parcon**, Eastvale, CA (US)

(73) Assignee: **ImportLA, LLC**, Orange, CA (US)

(**) Term: **15 Years**

(21) Appl. No.: **29/783,079**

(22) Filed: **May 11, 2021**

(51) **LOC (13) Cl.** **24-02**

(52) **U.S. Cl.**
USPC **D24/144; D24/146**

(58) **Field of Classification Search**

USPC D24/144, 146–147, 133, 127; D28/7

CPC A61M 37/0076; A61M 37/0084; A61M
5/48; A61M 5/482

See application file for complete search history.

(56) **References Cited**

U.S. PATENT DOCUMENTS

D380,046 S * 6/1997 Domanowski D24/144
D622,000 S * 8/2010 Kluge D24/146
D679,396 S * 4/2013 Jan D24/144
9,050,445 B2 * 6/2015 Klebs A61M 37/0076
D842,468 S * 3/2019 Juan A61M 37/0076
D24/144

D881,386 S * 4/2020 Tiedeken D24/146
D902,402 S * 11/2020 Wang A61M 37/0076
D24/144

2012/0192681 A1 * 8/2012 Klebs A61M 37/0076
81/9.22

2013/0226211 A1 * 8/2013 Xiao A61M 37/0076
606/186

2020/0324258 A1 * 10/2020 Merillat A61M 37/0084

OTHER PUBLICATIONS

“Tina Davies.” Review date Apr. 21, 2021. Retrieved on Aug. 22, 2022. Retrieved from internet <https://tinadavies.com/products/i-ink-needle-cartridges?gclid=EAIaIQobChMlZr7qyajd-QIVSAalCR2AzQY8EakYayABEgKivfD_BwE>.*

ink-needle-cartridges?gclid=EAIaIQobChMlZr7qyajd-QIVSAalCR2AzQY8EakYayABEgKivfD_BwE>.*

* cited by examiner

Primary Examiner — Wan Laymon

(74) *Attorney, Agent, or Firm* — Kevin Schraven; Anooj Patel; Hankin Patent Law, APC

(57) **CLAIM**

The ornamental design for a tattoo cartridge, as shown and described.

DESCRIPTION

FIG. 1 is a top perspective view of a first embodiment of a tattoo cartridge showing my new design.

FIG. 2 is a bottom perspective view thereof.

FIG. 3 is a front elevational view thereof.

FIG. 4 is a rear elevational view thereof.

FIG. 5 is right-side elevational view thereof.

FIG. 6 is a left-side elevational view thereof.

FIG. 7 is a top plan view thereof.

FIG. 8 is a bottom plan view thereof.

FIG. 9 is a top perspective view of a second embodiment of the tattoo cartridge, showing my new design.

FIG. 10 is a bottom perspective view thereof.

FIG. 11 is a front elevational view thereof.

FIG. 12 is a rear elevational view thereof.

FIG. 13 is right-side elevational view thereof.

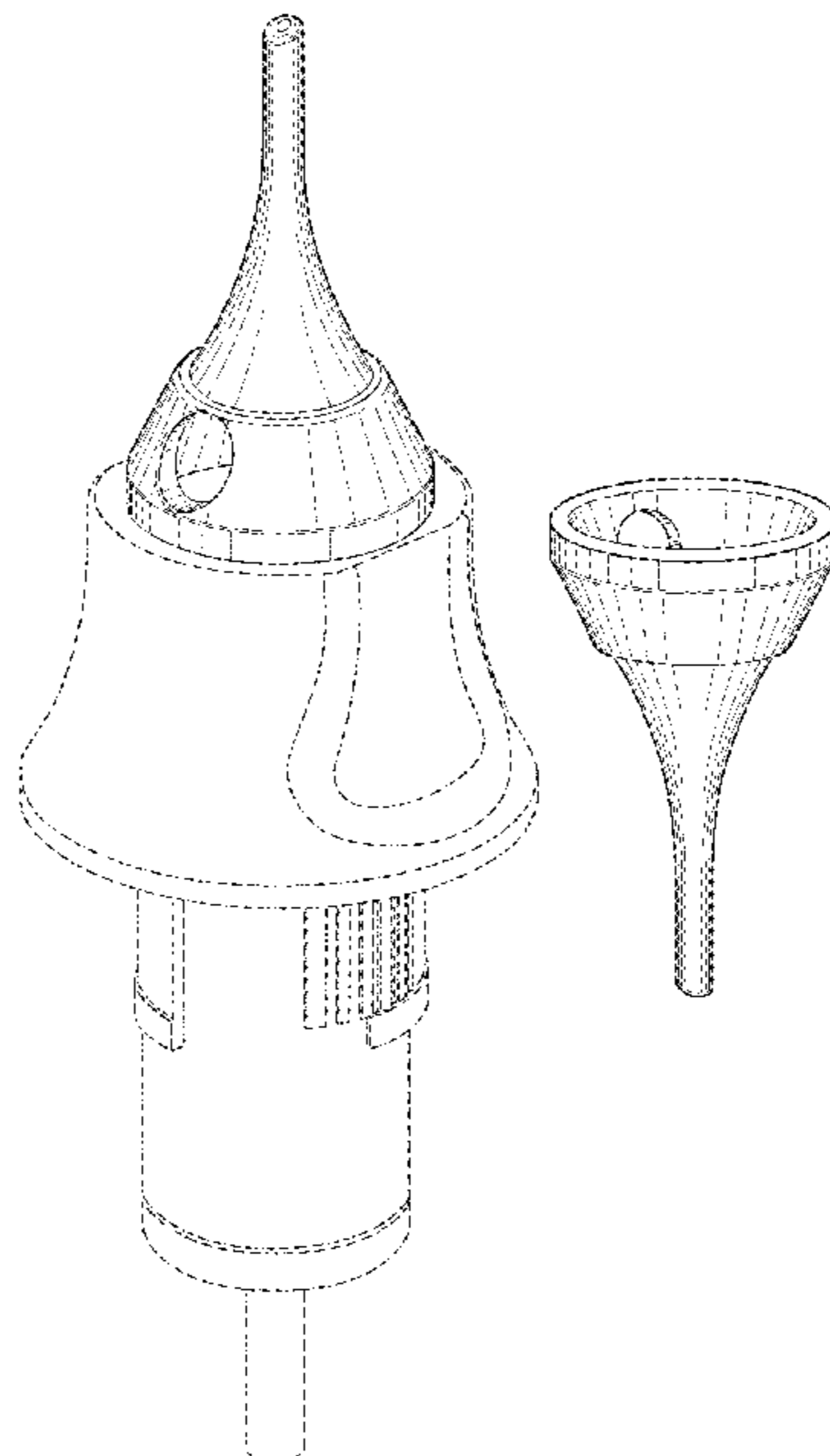
FIG. 14 is a left-side elevational view thereof.

FIG. 15 is a top plan view thereof; and,

FIG. 16 is a bottom plan view thereof.

The broken lines showing the grip and machine are for the purpose of illustrating unclaimed subject matter that form no part of the claimed design.

1 Claim, 16 Drawing Sheets



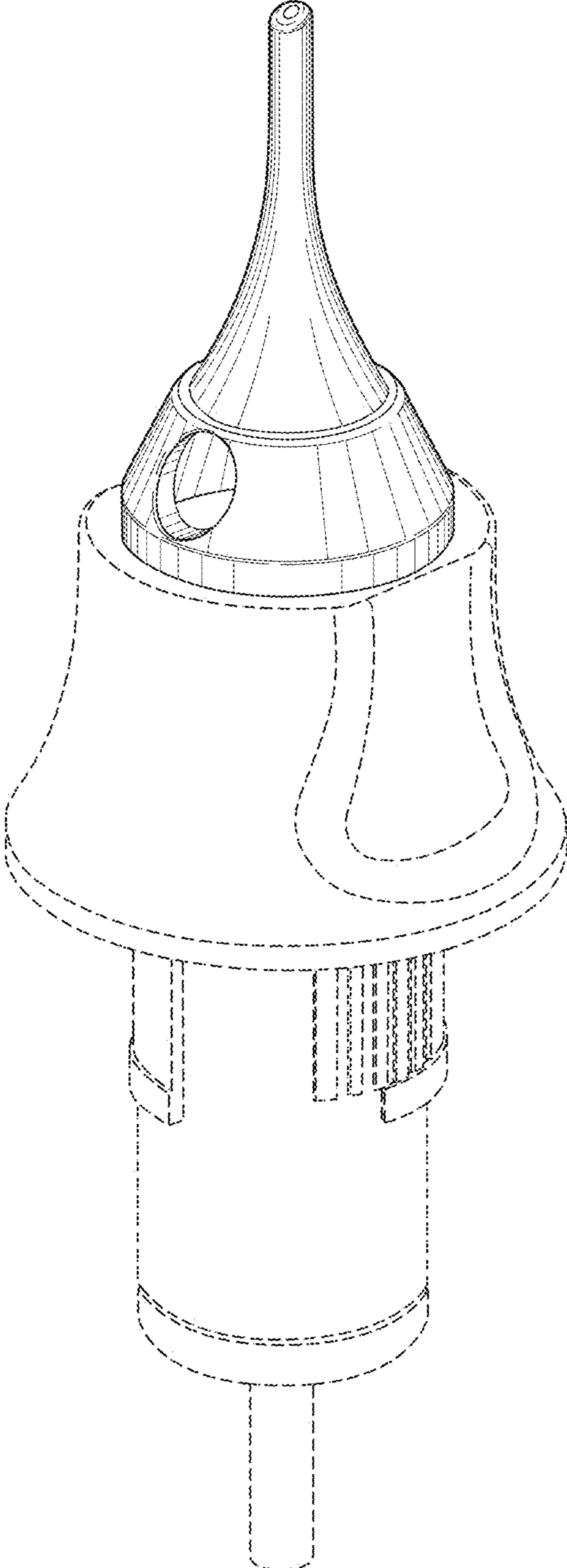


Fig. 1

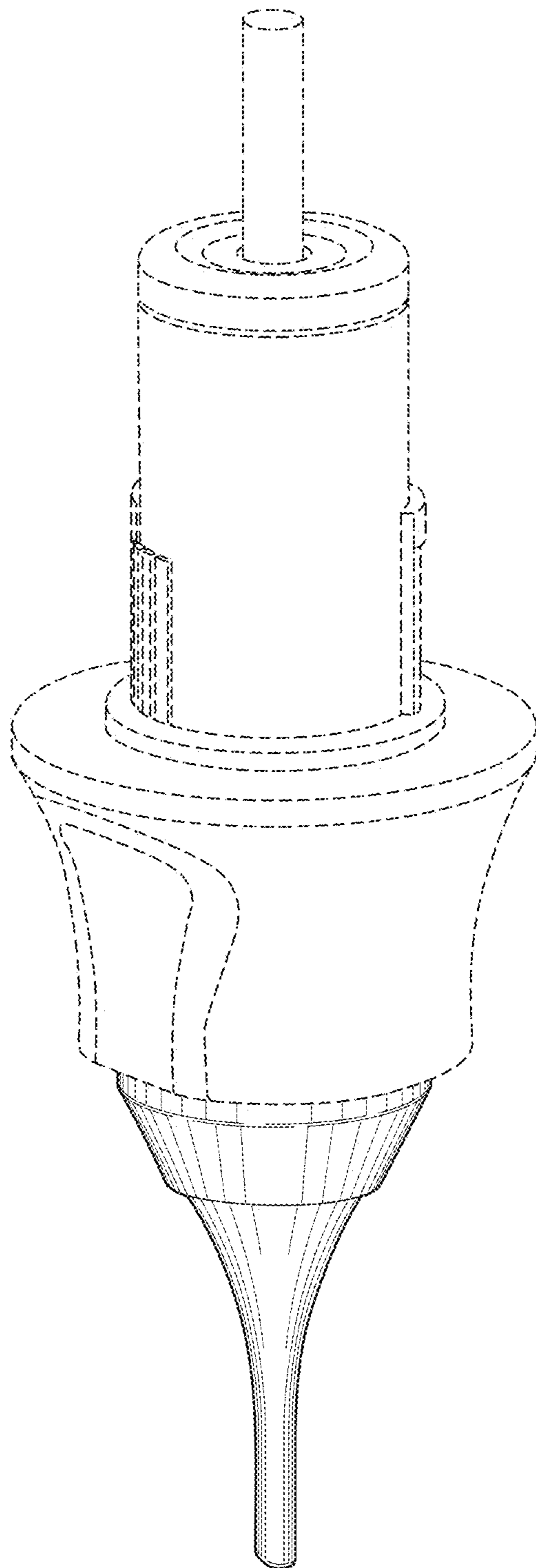


Fig.2

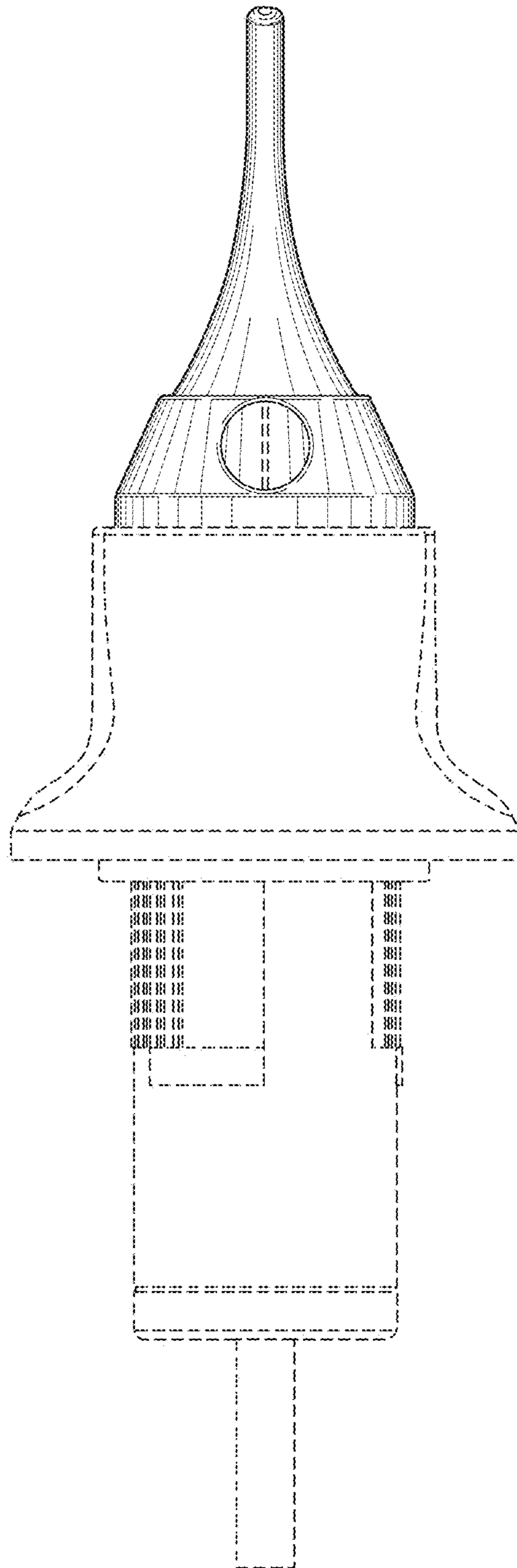


Fig.3

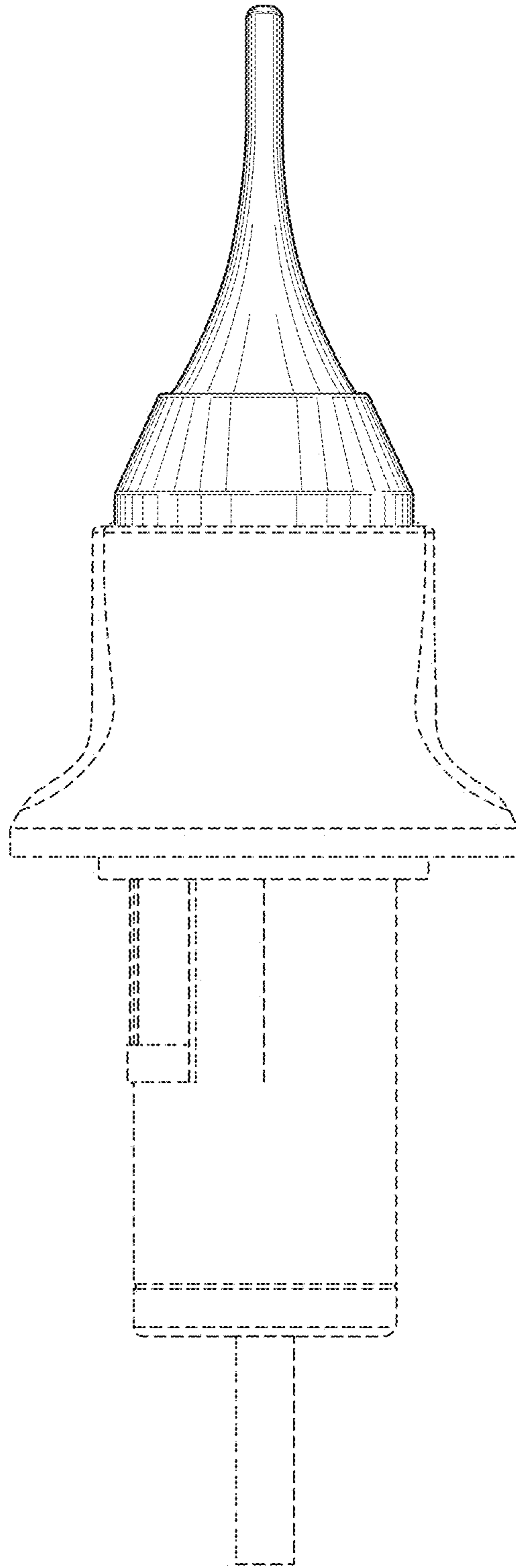


Fig.4

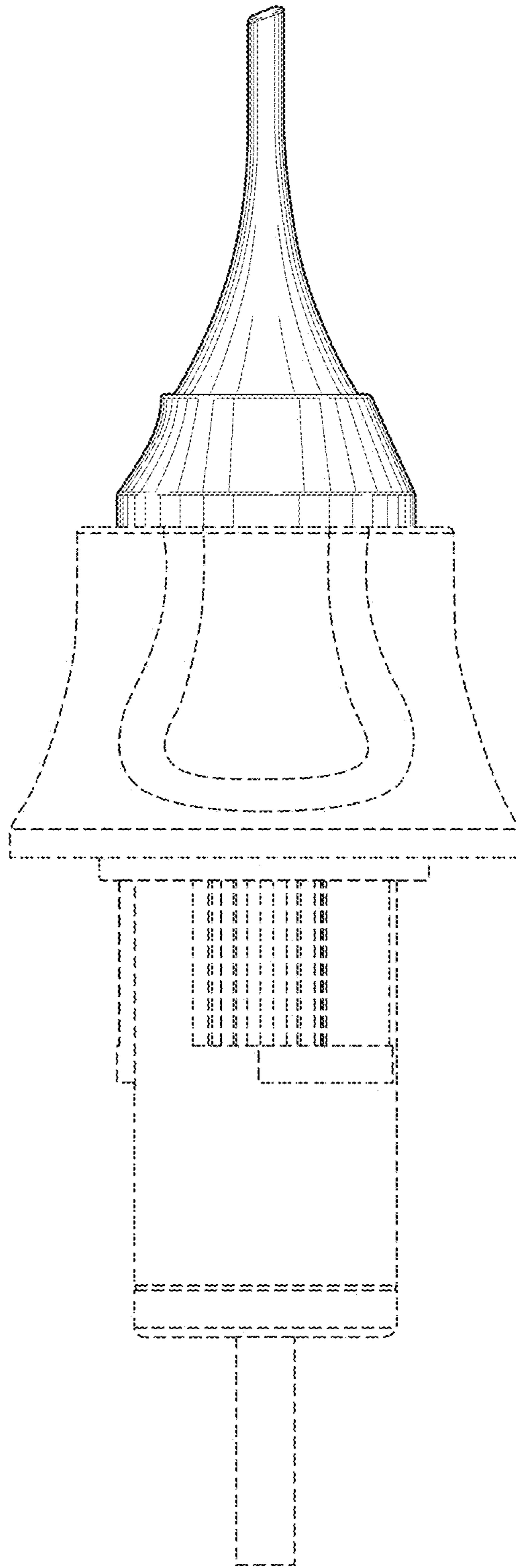


Fig. 5

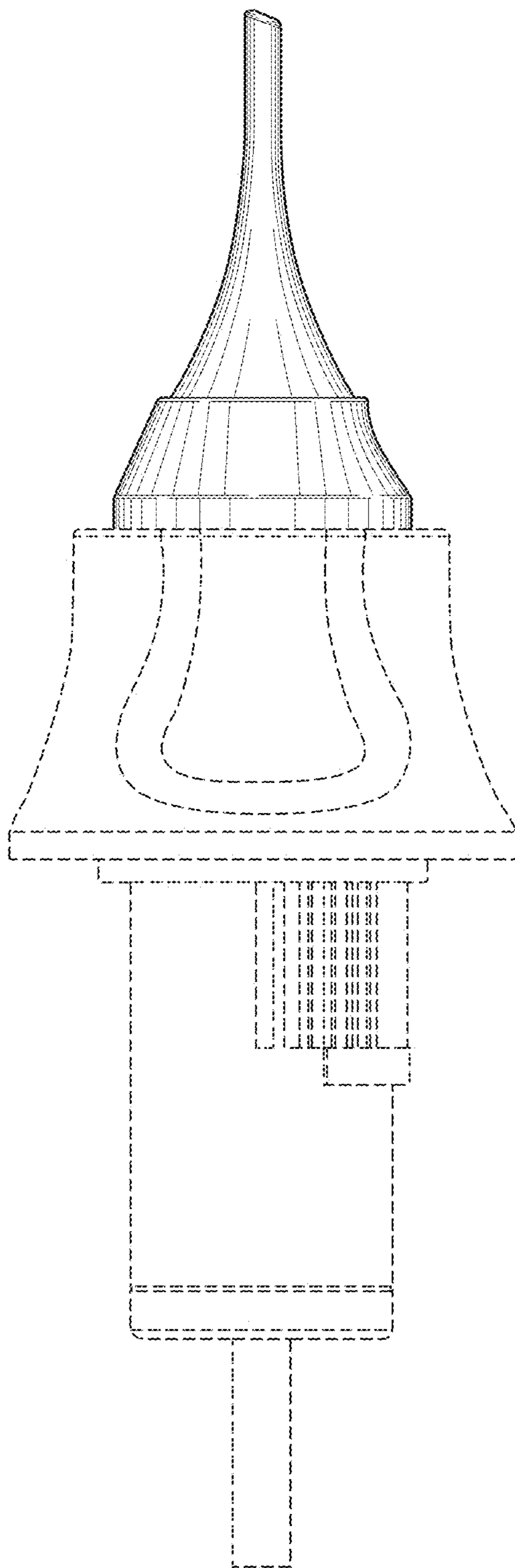


Fig.6

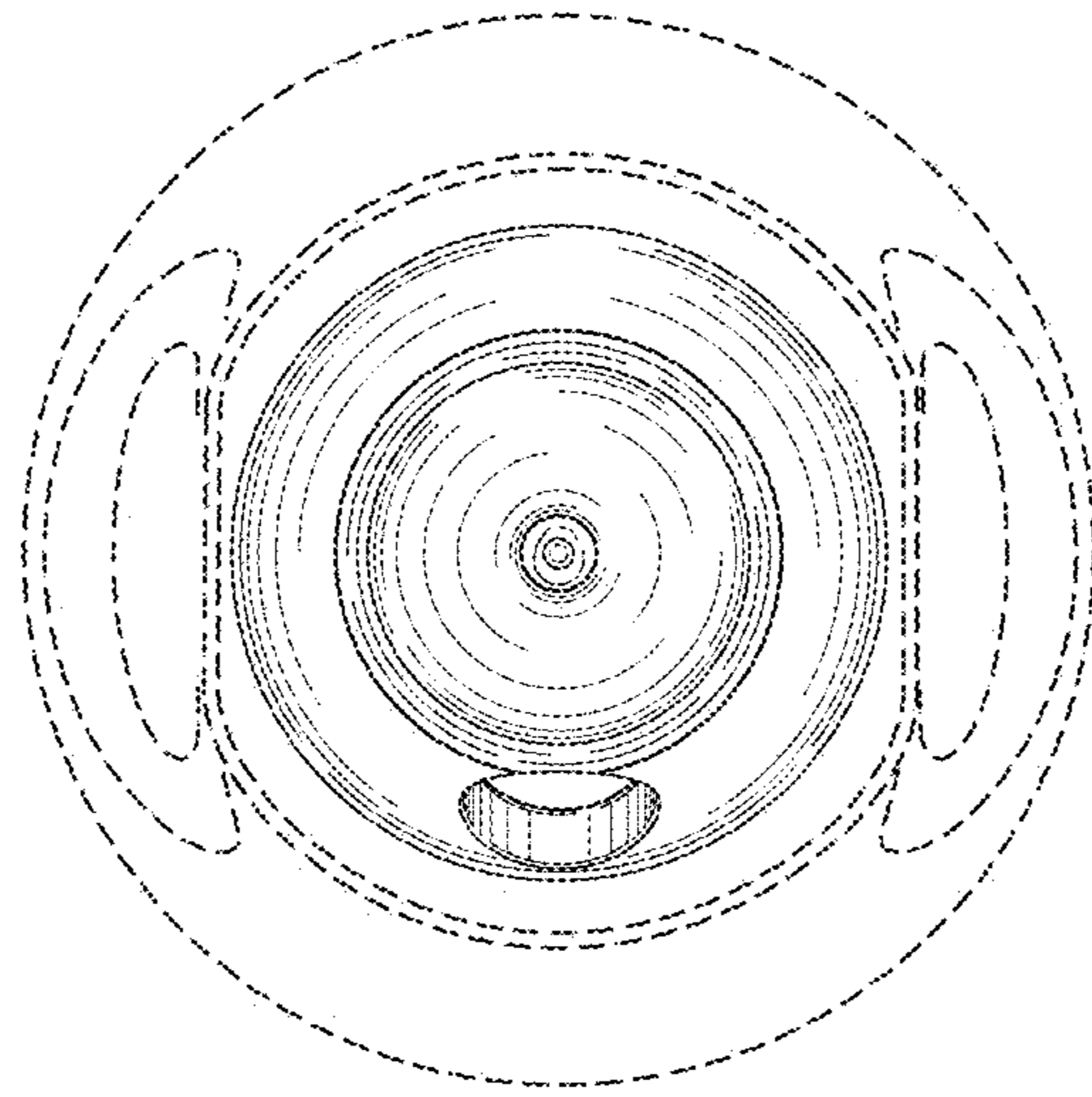


Fig. 7

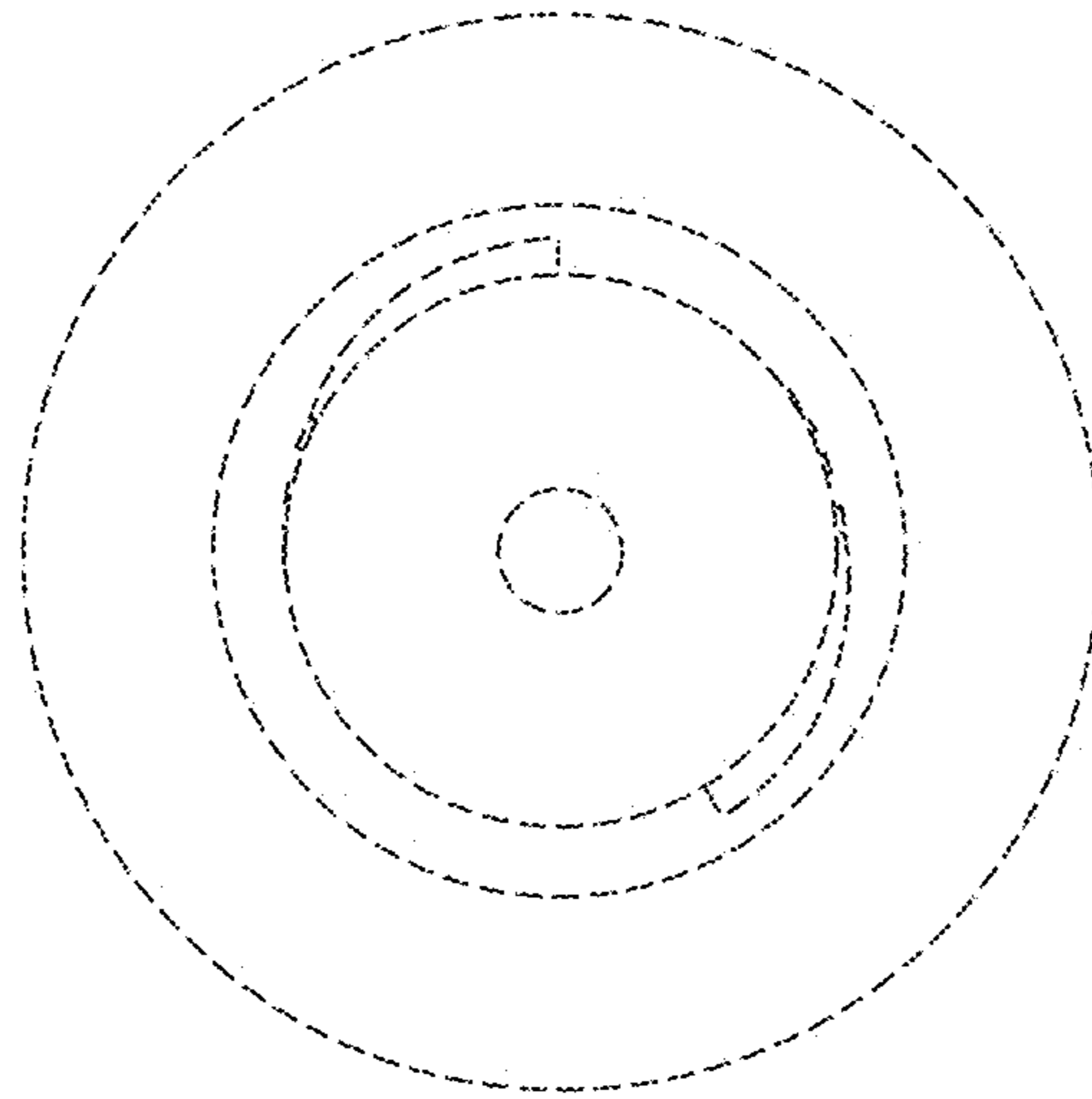


Fig.8

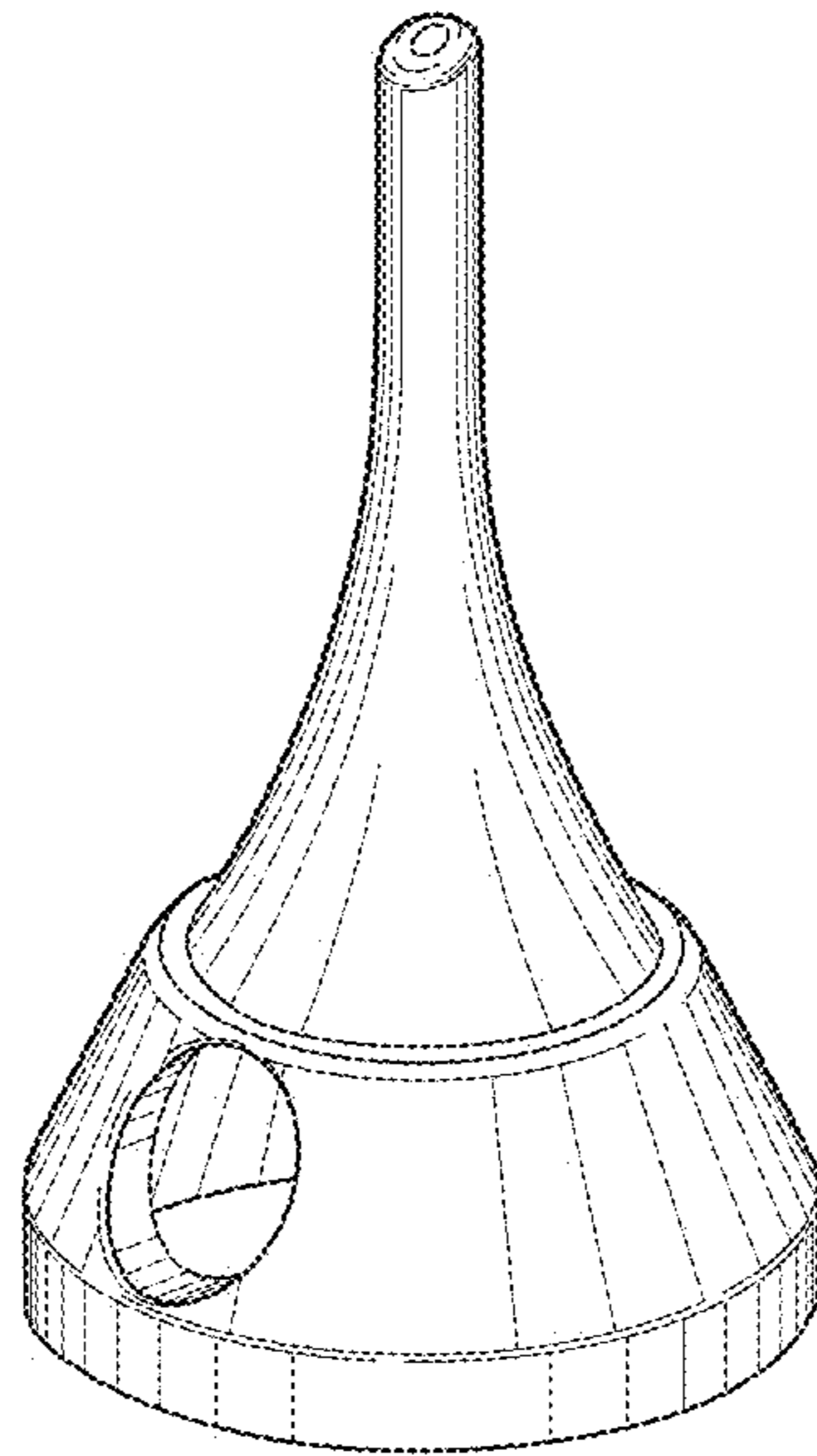


Fig.9

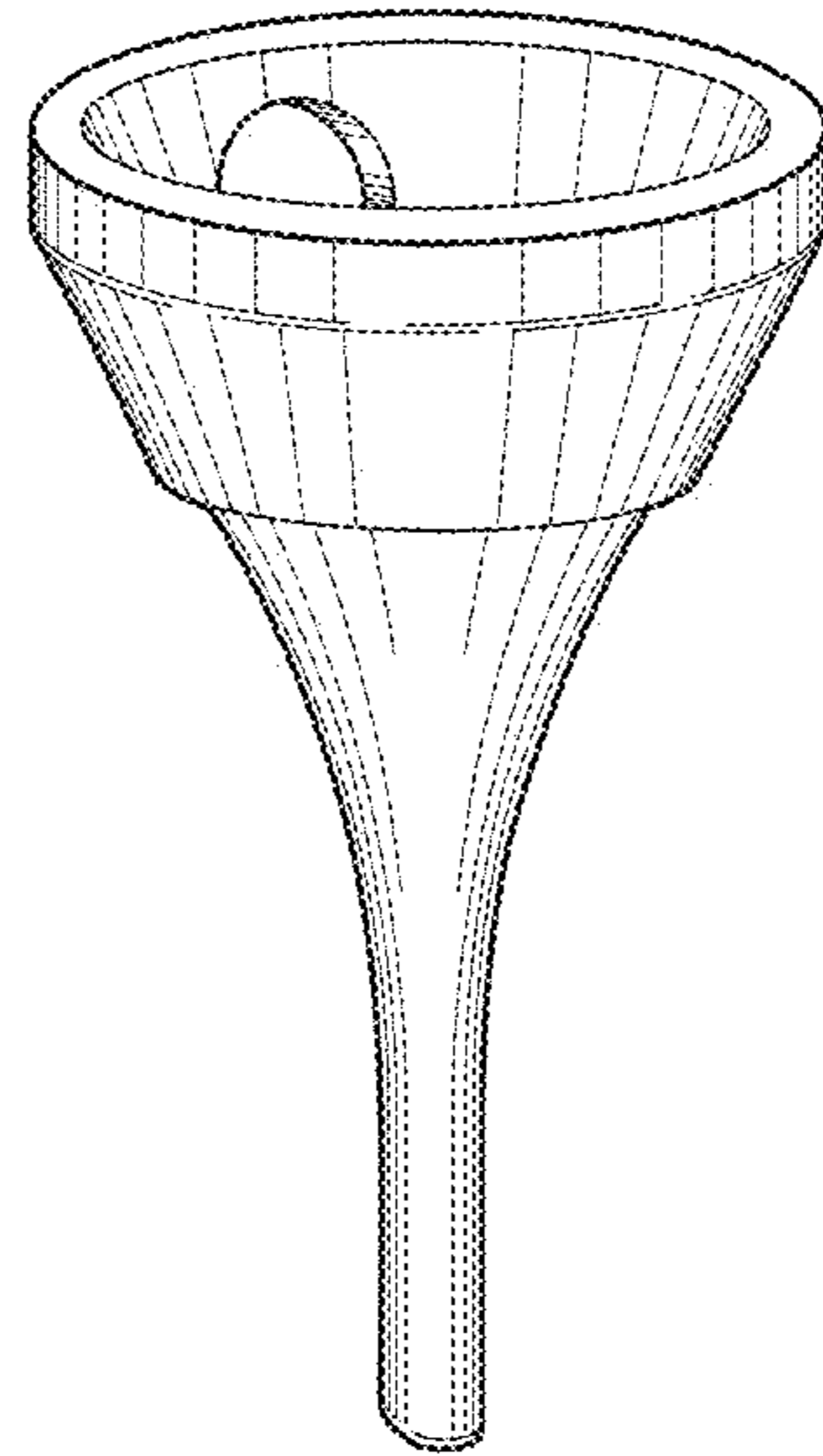


Fig. 10

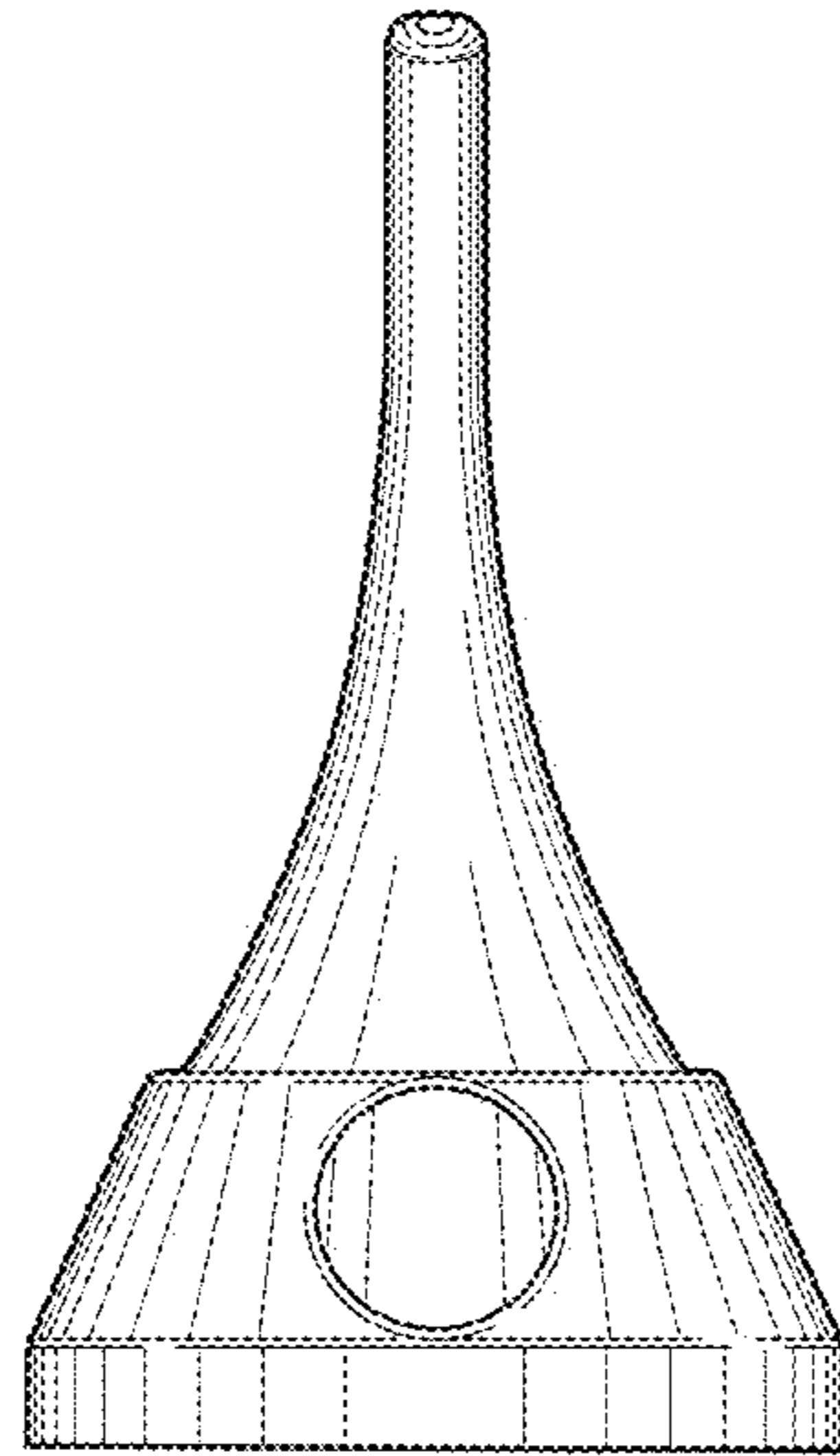


Fig. 11

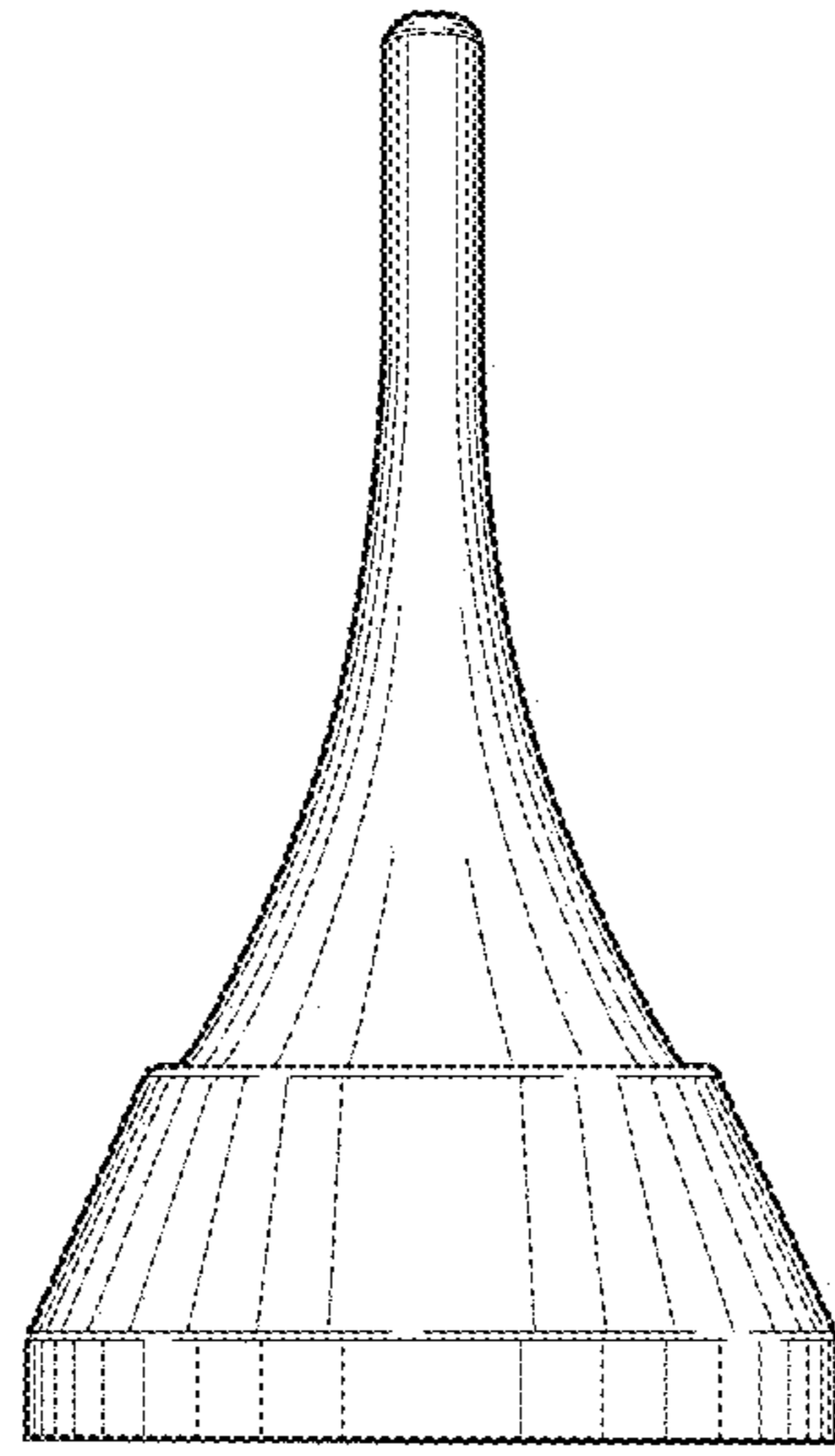


Fig. 12

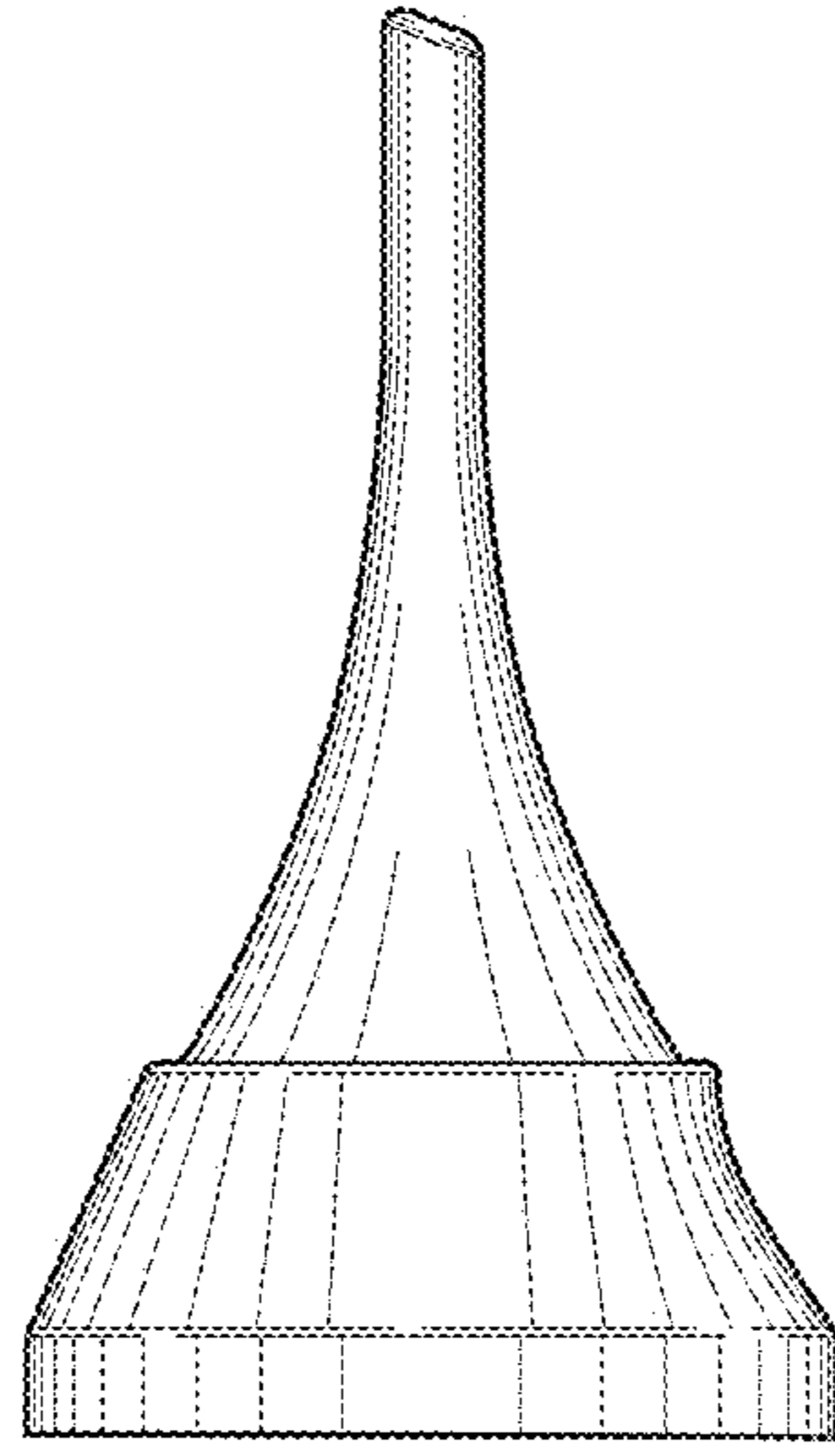


Fig. 13

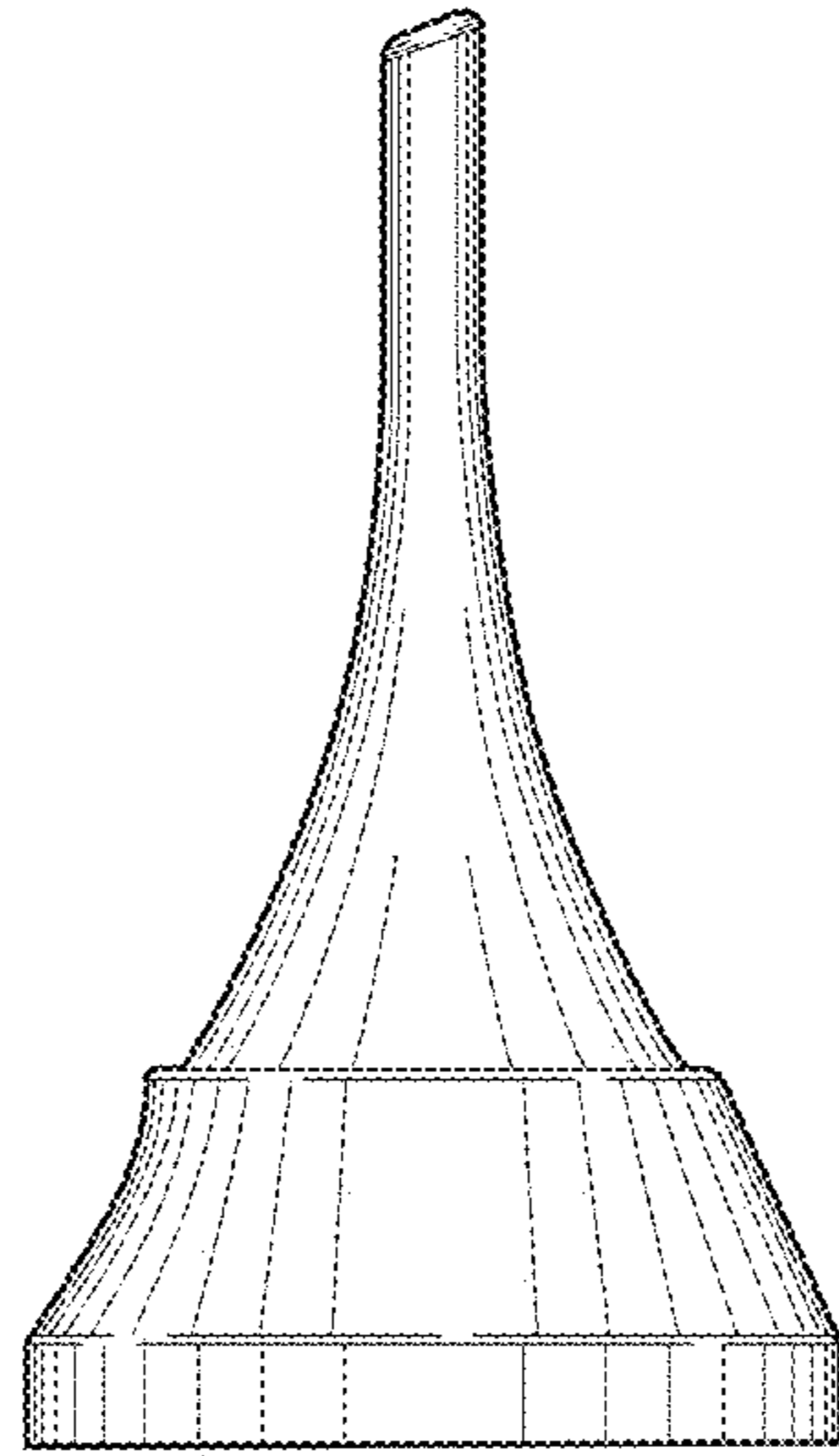


Fig.14

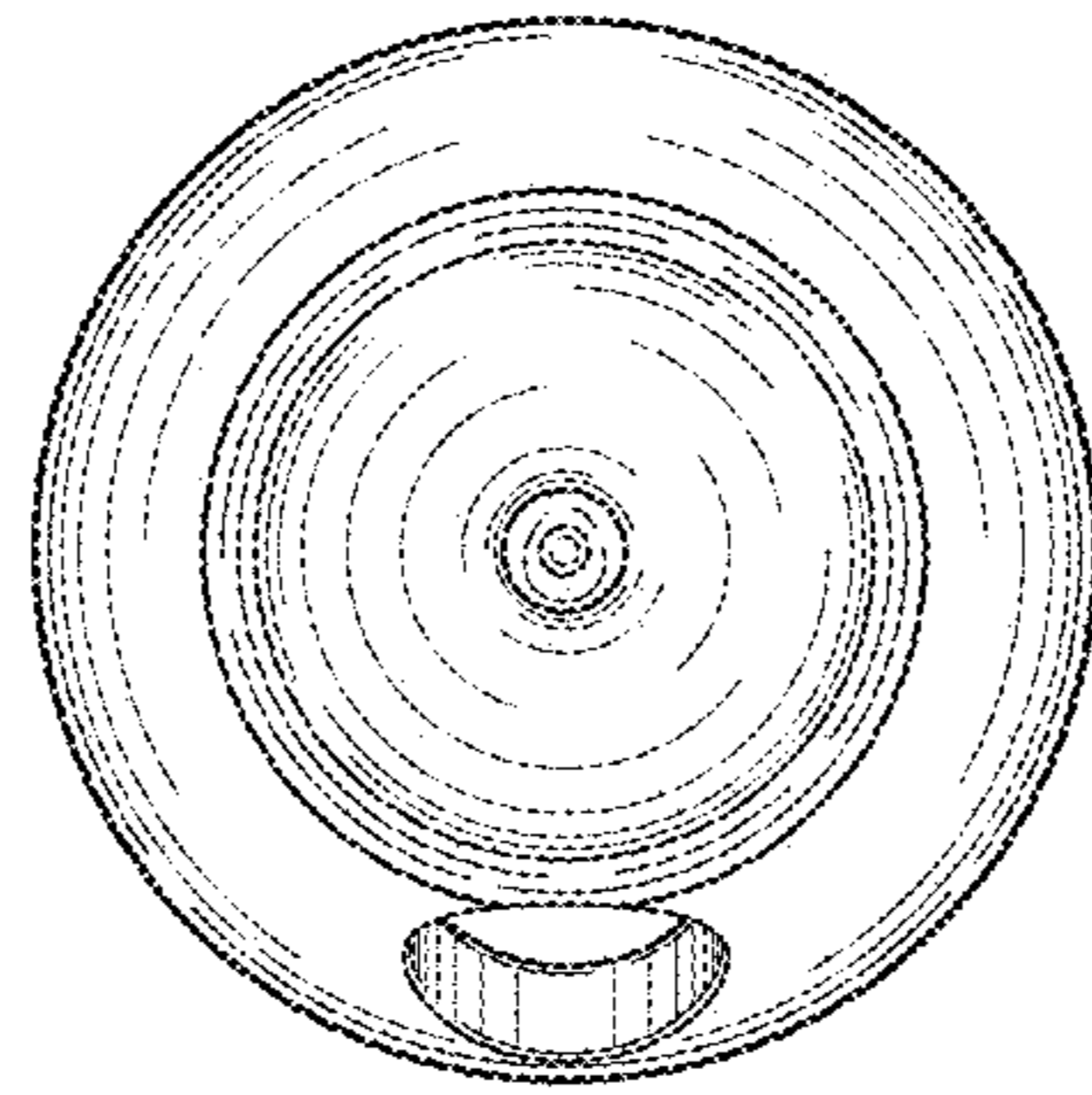


Fig. 15

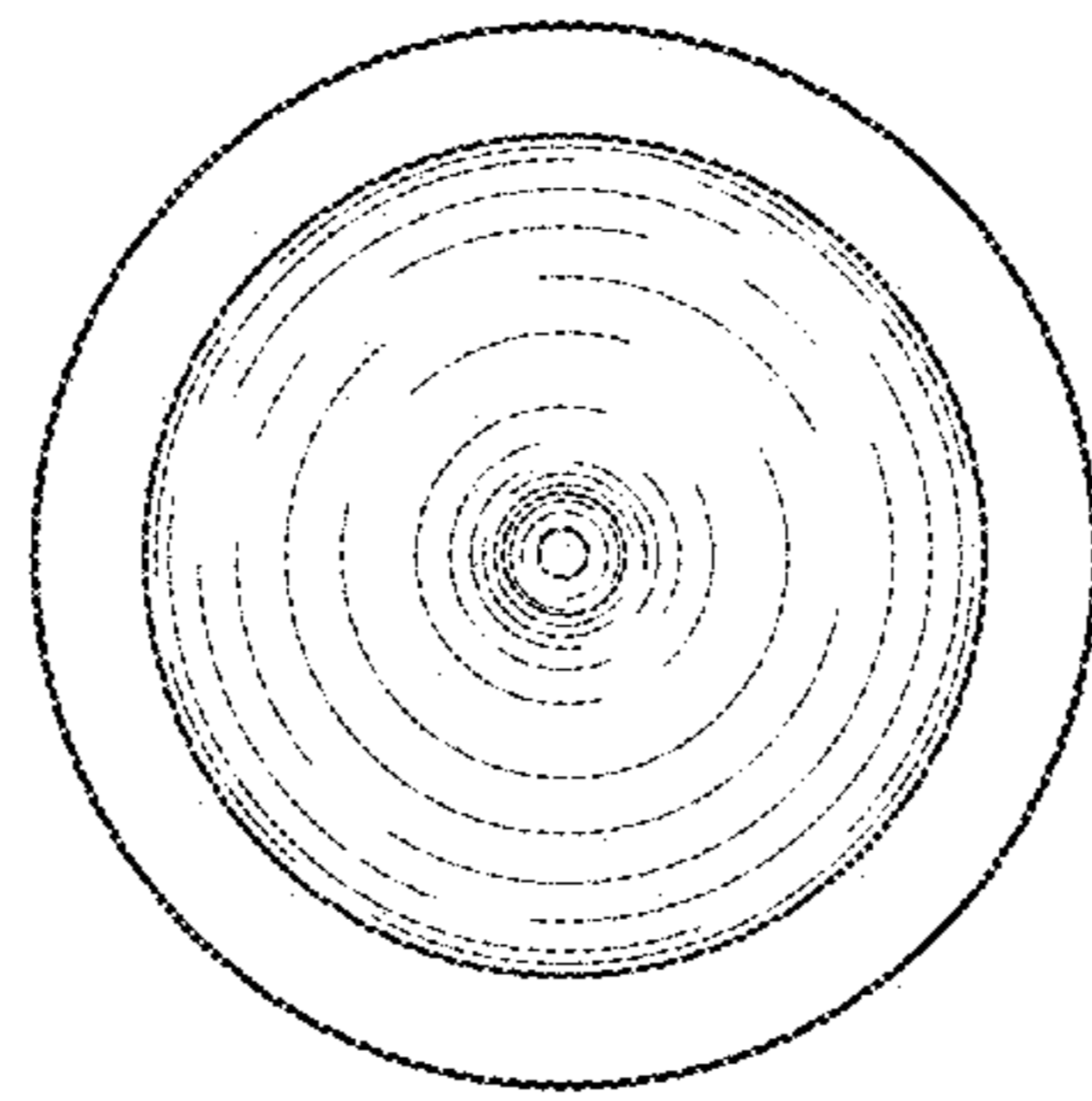


Fig.16