



US00D970005S

(12) **United States Design Patent** (10) **Patent No.:** **US D970,005 S**
Ohno (45) **Date of Patent:** **** Nov. 15, 2022**

- (54) **OPERATING GRIP FOR ENDOSCOPE**
- (71) Applicant: **FUJIFILM Corporation**, Tokyo (JP)
- (72) Inventor: **Hirotohi Ohno**, Ashigarakami-gun (JP)
- (73) Assignee: **FUJIFILM Corporation**, Tokyo (JP)
- (**) Term: **15 Years**
- (21) Appl. No.: **29/756,642**
- (22) Filed: **Oct. 29, 2020**

Related U.S. Application Data

- (62) Division of application No. 29/642,234, filed on Mar. 28, 2018, now Pat. No. Des. 909,575.

(30) **Foreign Application Priority Data**

Sep. 29, 2017	(JP)	2017-021495
Sep. 29, 2017	(JP)	2017-021496
Sep. 29, 2017	(JP)	2017-021497
Sep. 29, 2017	(JP)	2017-021498

- (51) **LOC (13) Cl.** **24-02**
- (52) **U.S. Cl.**
USPC **D24/138**
- (58) **Field of Classification Search**
USPC D24/138, 127, 113
CPC A61B 17/221
See application file for complete search history.

(56) **References Cited**

U.S. PATENT DOCUMENTS

D277,505 S	*	2/1985	Kubokawa	D24/138
D842,465 S	*	3/2019	Osada	D24/138
D871,574 S	*	12/2019	Lohk	D24/138
D871,575 S	*	12/2019	Lohk	D24/138

D871,576 S	*	12/2019	Lohk	D24/138
D884,168 S	*	5/2020	Lohk	D24/138
D886,999 S	*	6/2020	Lohk	D24/138
D888,237 S	*	6/2020	Lohk	D24/138
D902,401 S	*	11/2020	Ohno	D24/138
D905,241 S	*	12/2020	Ohno	D24/138
D909,575 S	*	2/2021	Ohno	D24/138
D958,344 S	*	7/2022	Ono	D24/138
D958,345 S	*	7/2022	Ono	D24/138
D958,347 S	*	7/2022	Ono	D24/138
2007/0232857 A1	*	10/2007	Otawara	A61B 1/00177 600/129
2015/0366436 A1	*	12/2015	Iuel	A61B 1/00066 600/149
2016/0331214 A1	*	11/2016	Fujitani	A61B 1/00114
2019/0216295 A1	*	7/2019	Hatano	A61B 1/00066
2019/0313886 A1	*	10/2019	Hatano	A61B 1/015

* cited by examiner

Primary Examiner — Eliza Z Harvey

(74) *Attorney, Agent, or Firm* — Birch, Stewart, Kolasch & Birch, LLP

(57) **CLAIM**

The ornamental design for an operating grip for endoscope, as shown and described.

DESCRIPTION

FIG. 1 is a top, front and left side perspective view of an operating grip for endoscope showing my new design;
 FIG. 2 is a top, rear and left side perspective view thereof;
 FIG. 3 is a top, front and right side perspective view thereof;
 FIG. 4 is a bottom, front and left side perspective view thereof;
 FIG. 5 is a front elevational view thereof;
 FIG. 6 is a rear elevational view thereof;
 FIG. 7 is a top plan view thereof;
 FIG. 8 is a bottom plan view thereof;
 FIG. 9 is a left side elevational view thereof; and,
 FIG. 10 is a right side elevational view thereof.

1 Claim, 10 Drawing Sheets

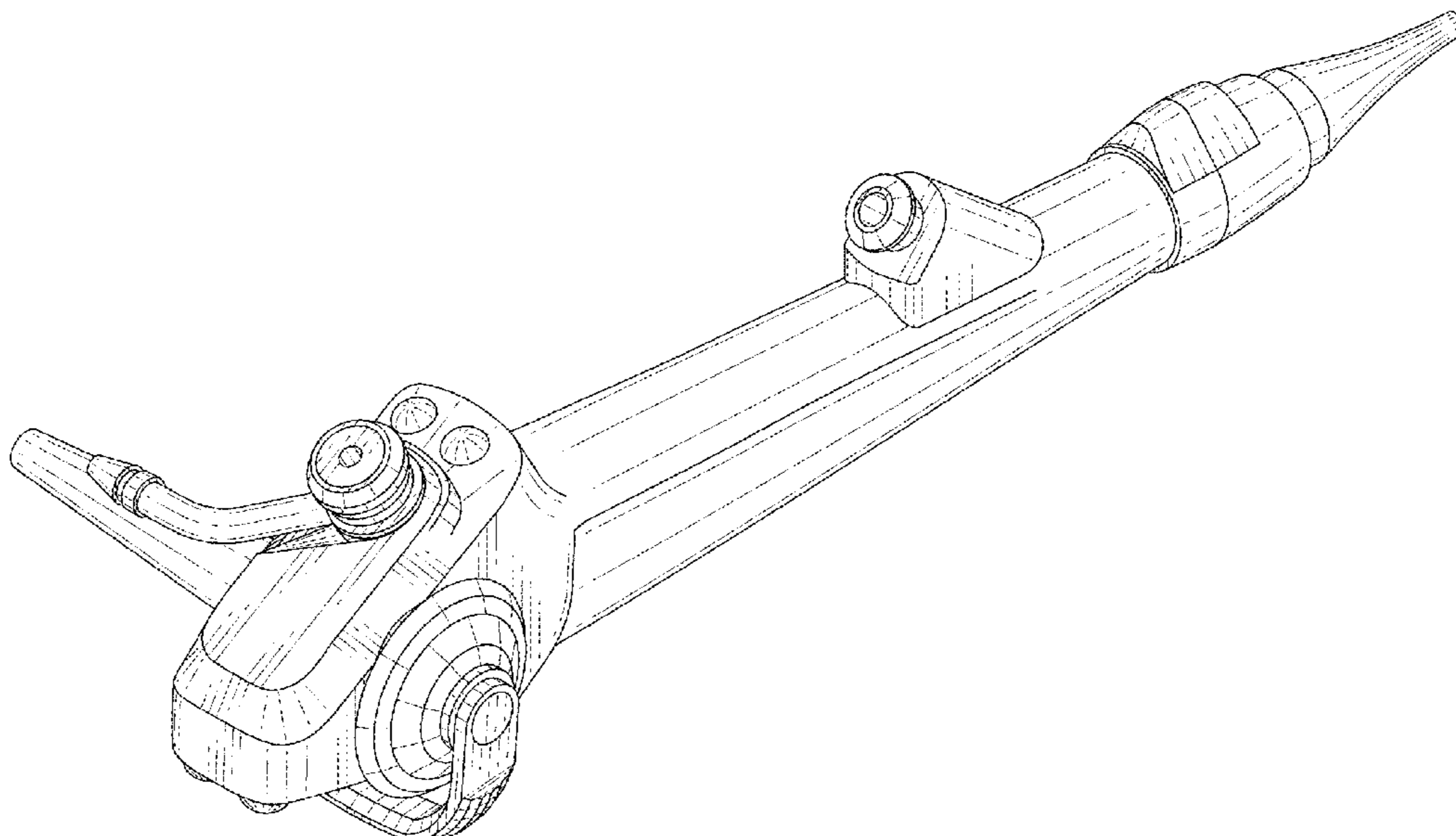


FIG.1

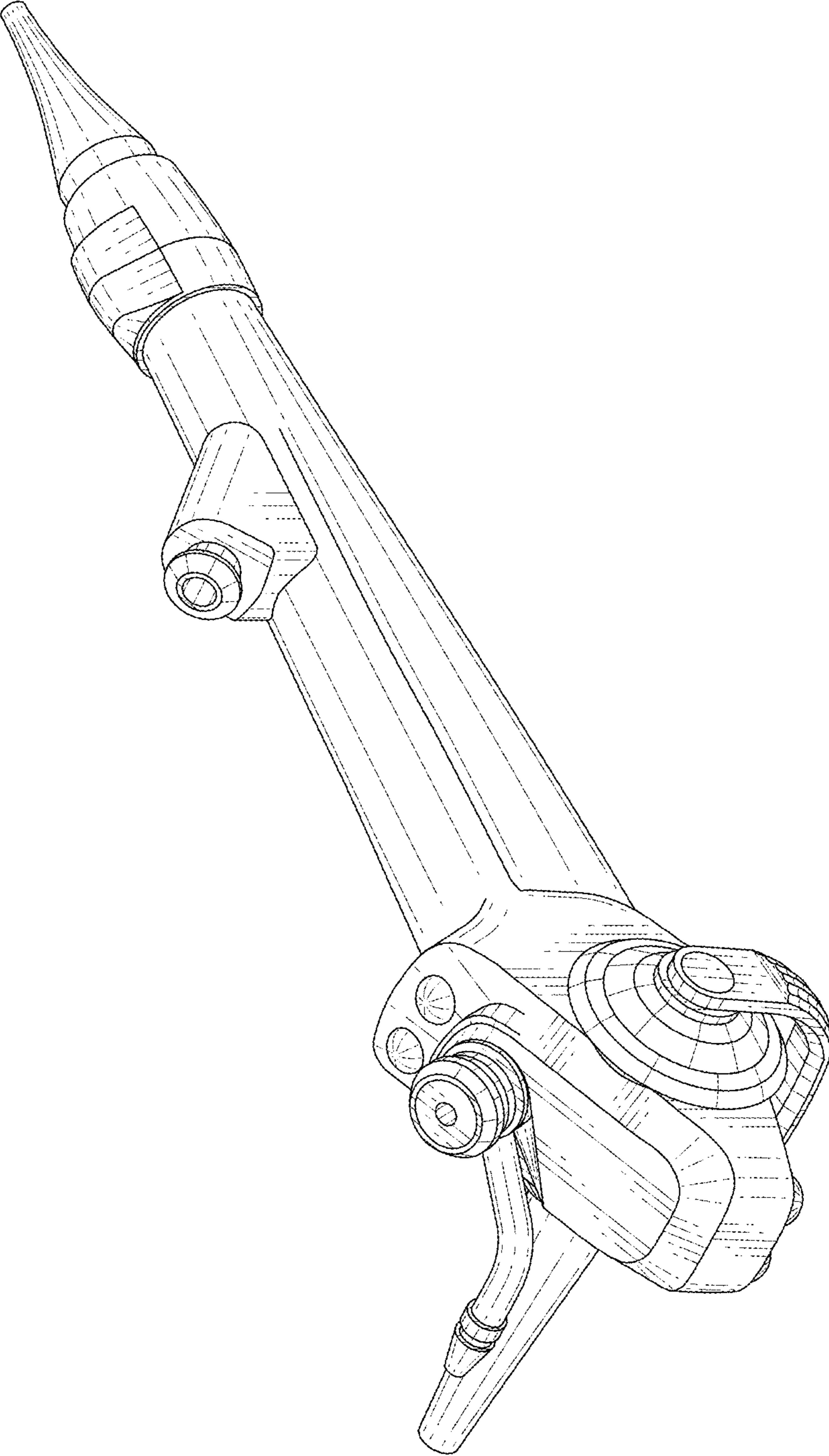


FIG. 2

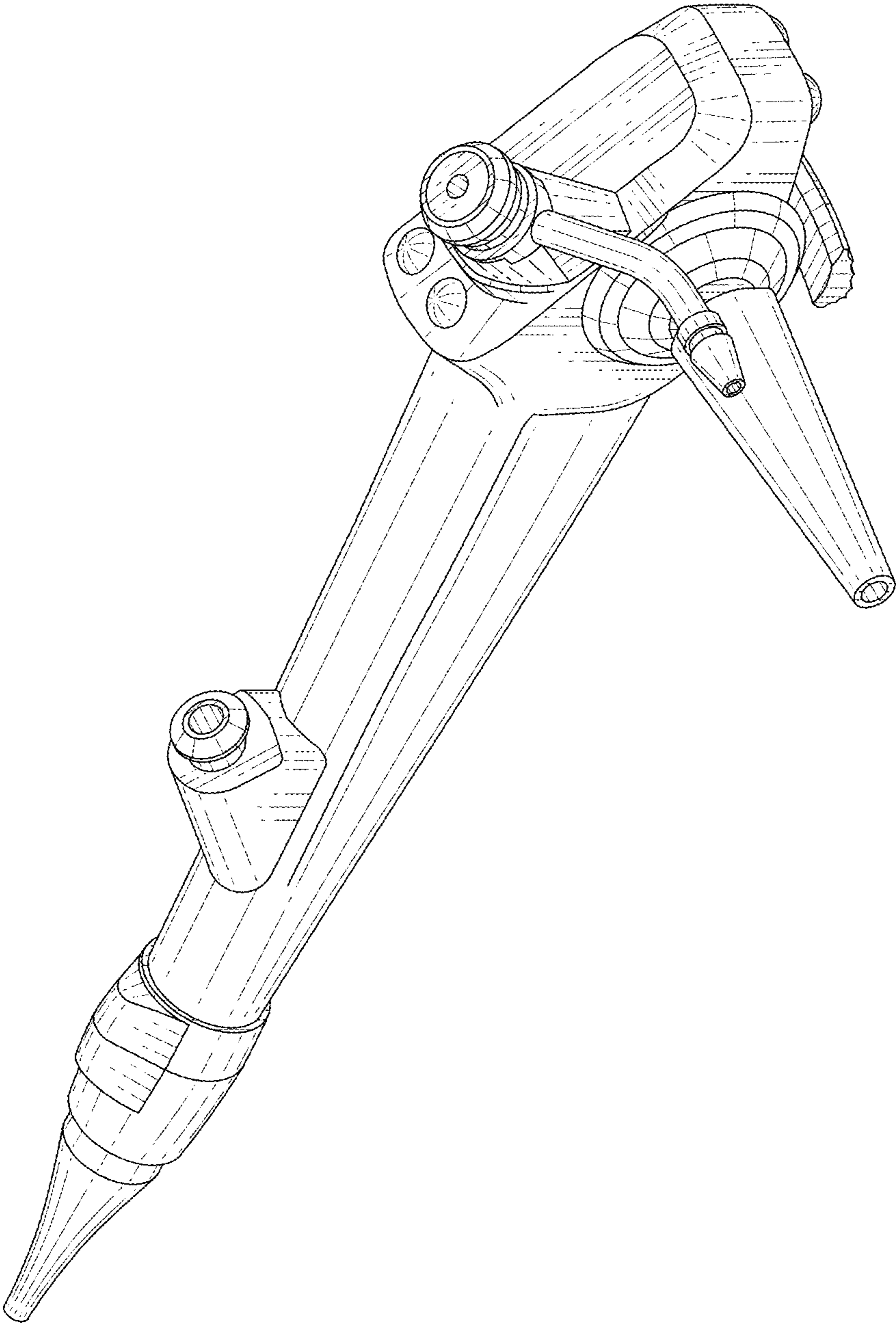


FIG. 3

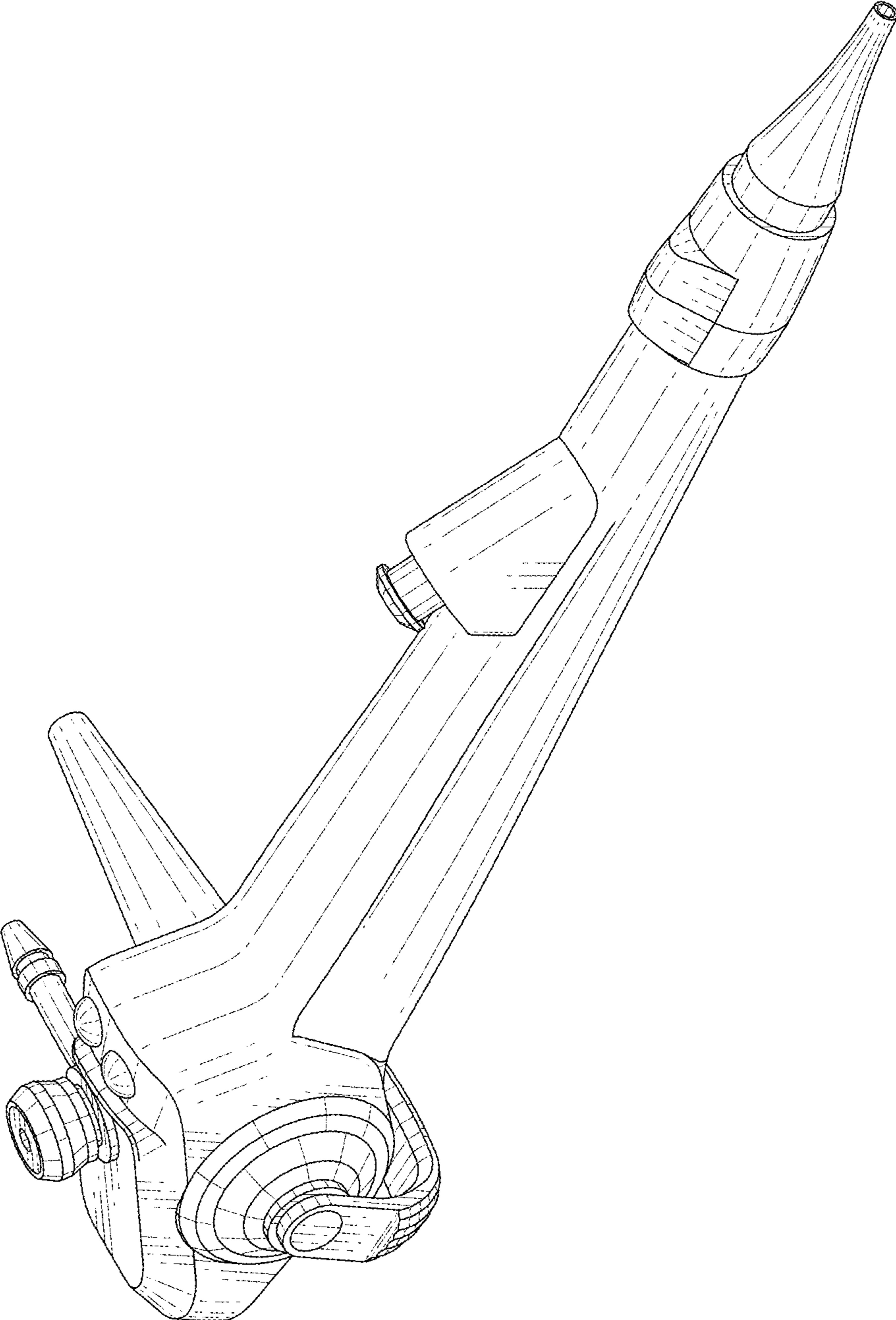


FIG.4

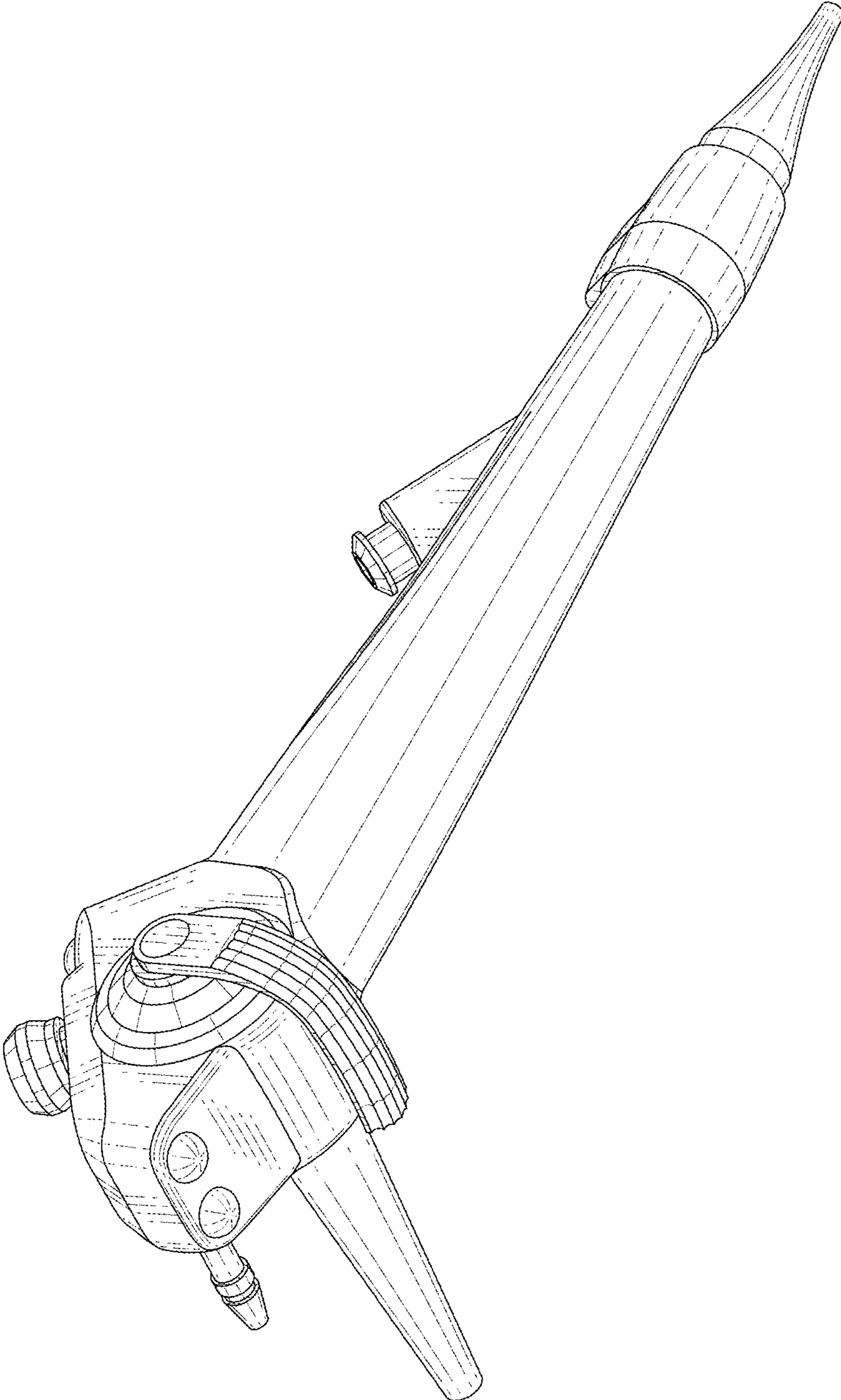


FIG. 5

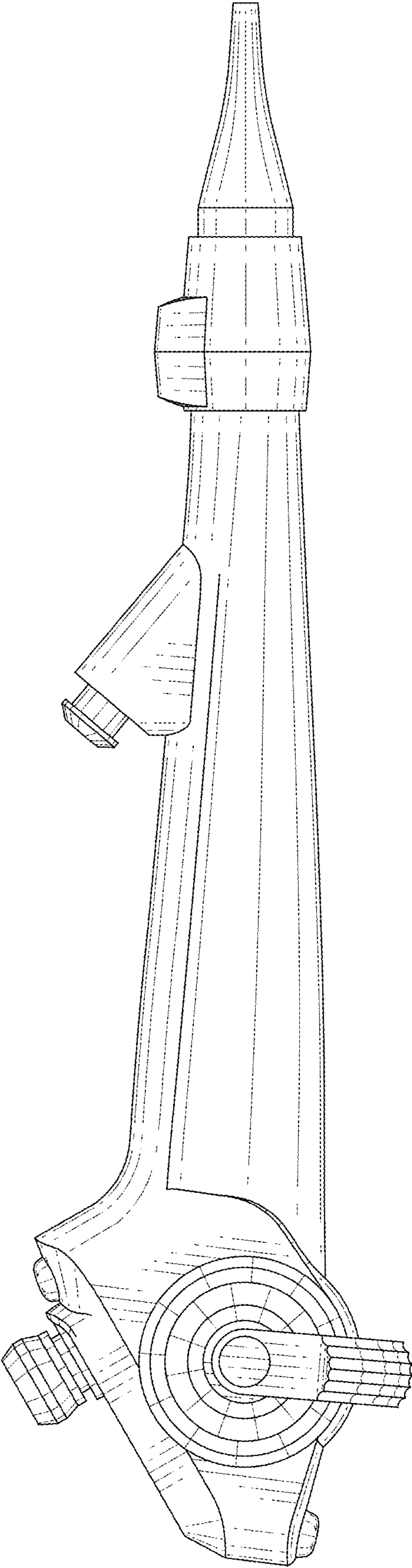


FIG. 6

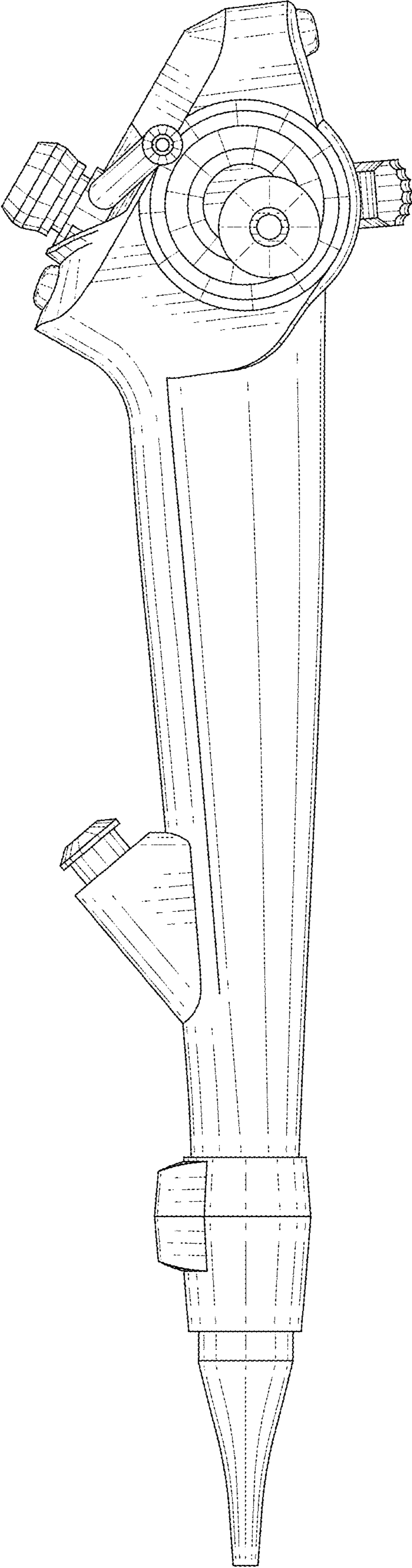


FIG. 7

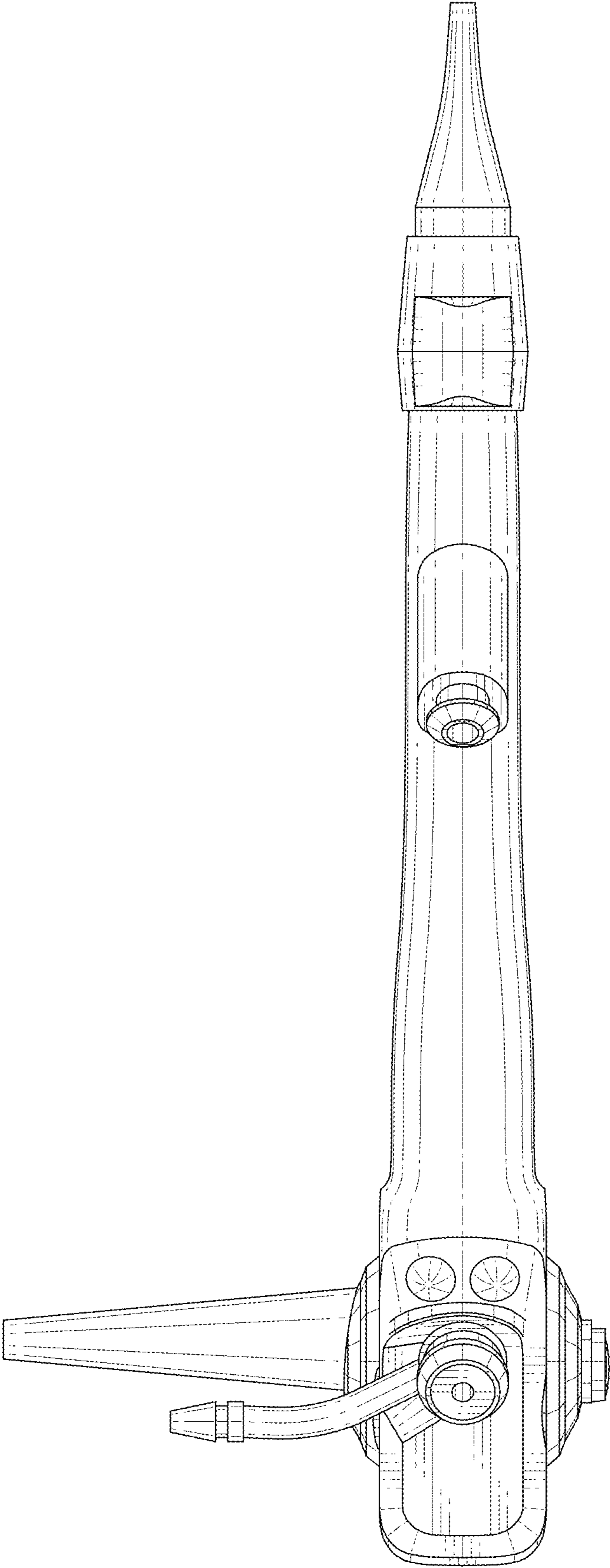


FIG. 8

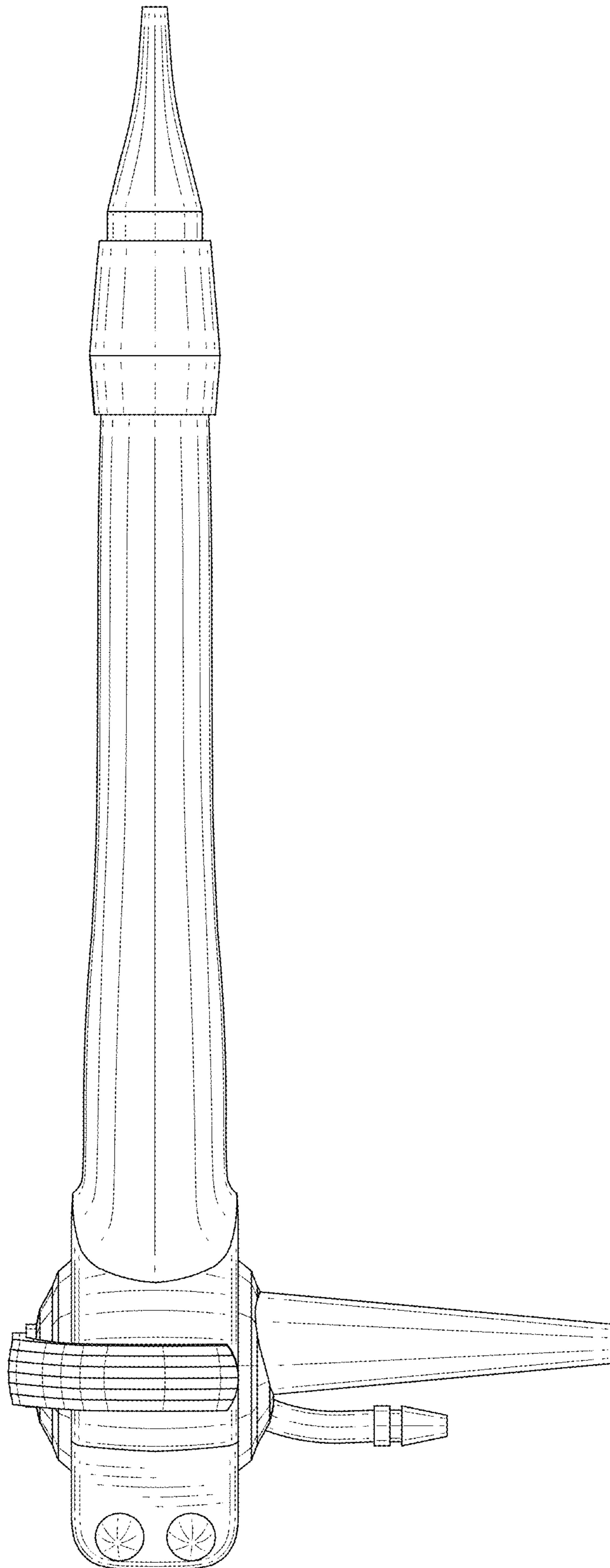


FIG. 9

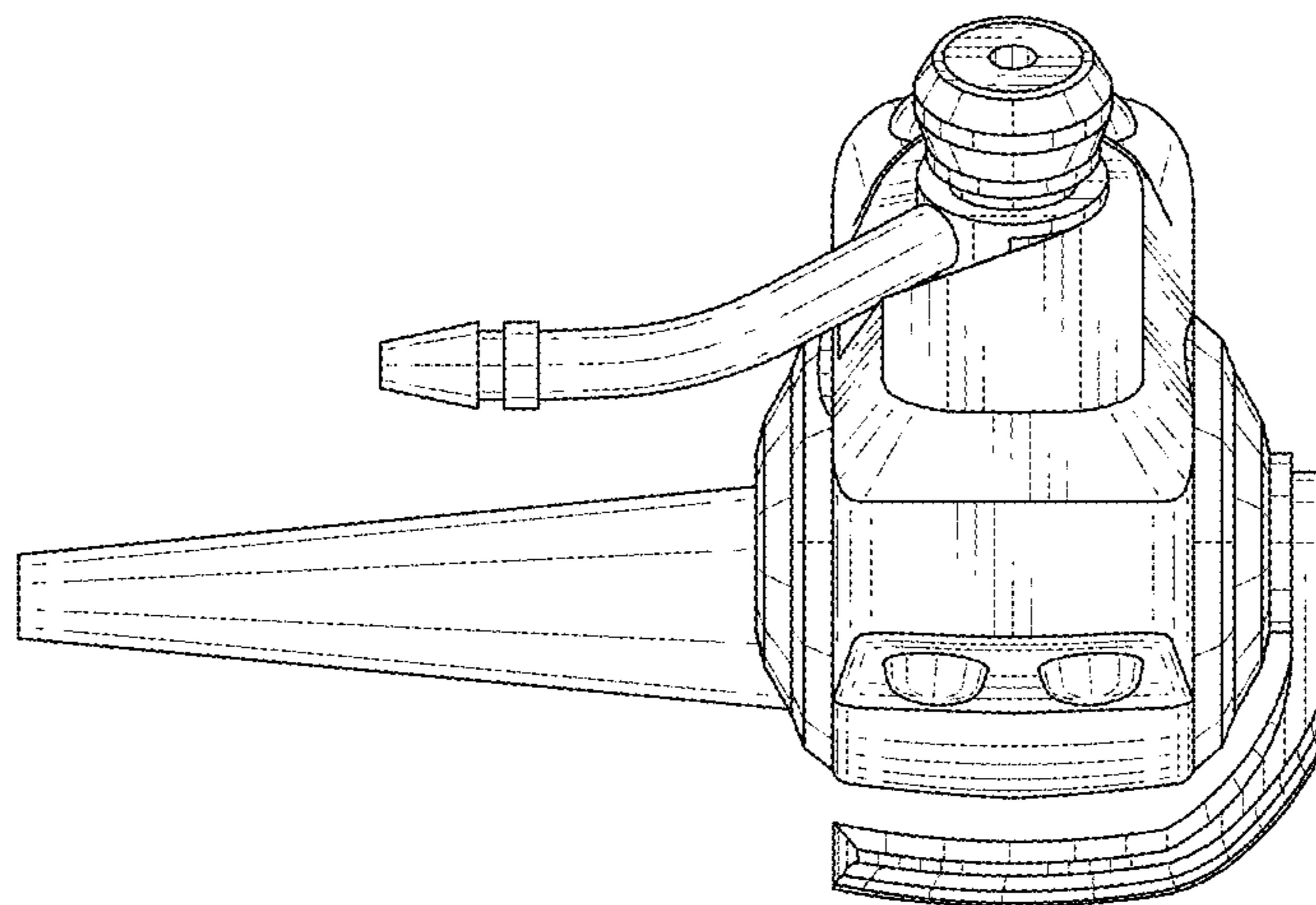


FIG. 10

