



US00D970004S

(12) **United States Design Patent**
Ohno

(10) **Patent No.:** **US D970,004 S**

(45) **Date of Patent:** **** Nov. 15, 2022**

(54) **OPERATING GRIP FOR ENDOSCOPE**

(71) Applicant: **FUJIFILM Corporation**, Tokyo (JP)

(72) Inventor: **Hirotohi Ohno**, Ashigarakami-gun (JP)

(73) Assignee: **FUJIFILM Corporation**, Tokyo (JP)

(**) Term: **15 Years**

(21) Appl. No.: **29/756,639**

(22) Filed: **Oct. 29, 2020**

Related U.S. Application Data

(62) Division of application No. 29/642,234, filed on Mar. 28, 2018, now Pat. No. Des. 909,575.

(30) **Foreign Application Priority Data**

Sep. 29, 2017 (JP) 2017-021495
Sep. 29, 2017 (JP) 2017-021496
Sep. 29, 2017 (JP) 2017-021497
Sep. 29, 2017 (JP) 2017-021498

(51) **LOC (13) Cl.** **24-02**

(52) **U.S. Cl.**
USPC **D24/138**

(58) **Field of Classification Search**
USPC D24/138, 127, 113
CPC A61B 17/221
See application file for complete search history.

(56) **References Cited**

U.S. PATENT DOCUMENTS

D277,505 S * 2/1985 Kubokawa D24/138
D842,465 S * 3/2019 Osada D24/138
D871,574 S * 12/2019 Lohk D24/138
D871,575 S * 12/2019 Lohk D24/138

D871,576 S * 12/2019 Lohk D24/138
D884,168 S * 5/2020 Lohk D24/138
D886,999 S * 6/2020 Lohk D24/138
D888,237 S * 6/2020 Lohk D24/138
D902,401 S * 11/2020 Ohno D24/138
D905,241 S * 12/2020 Ohno D24/138
D909,575 S * 2/2021 Ohno D24/138
D958,344 S * 7/2022 Ono D24/138
D958,345 S * 7/2022 Ono D24/138
D958,347 S * 7/2022 Ono D24/138
2007/0232857 A1 * 10/2007 Otawara A61B 1/00177
600/129
2015/0366436 A1 * 12/2015 Iuel A61B 1/00066
600/149

(Continued)

Primary Examiner — Eliza Z Harvey

(74) *Attorney, Agent, or Firm* — Birch, Stewart, Kolasch & Birch, LLP

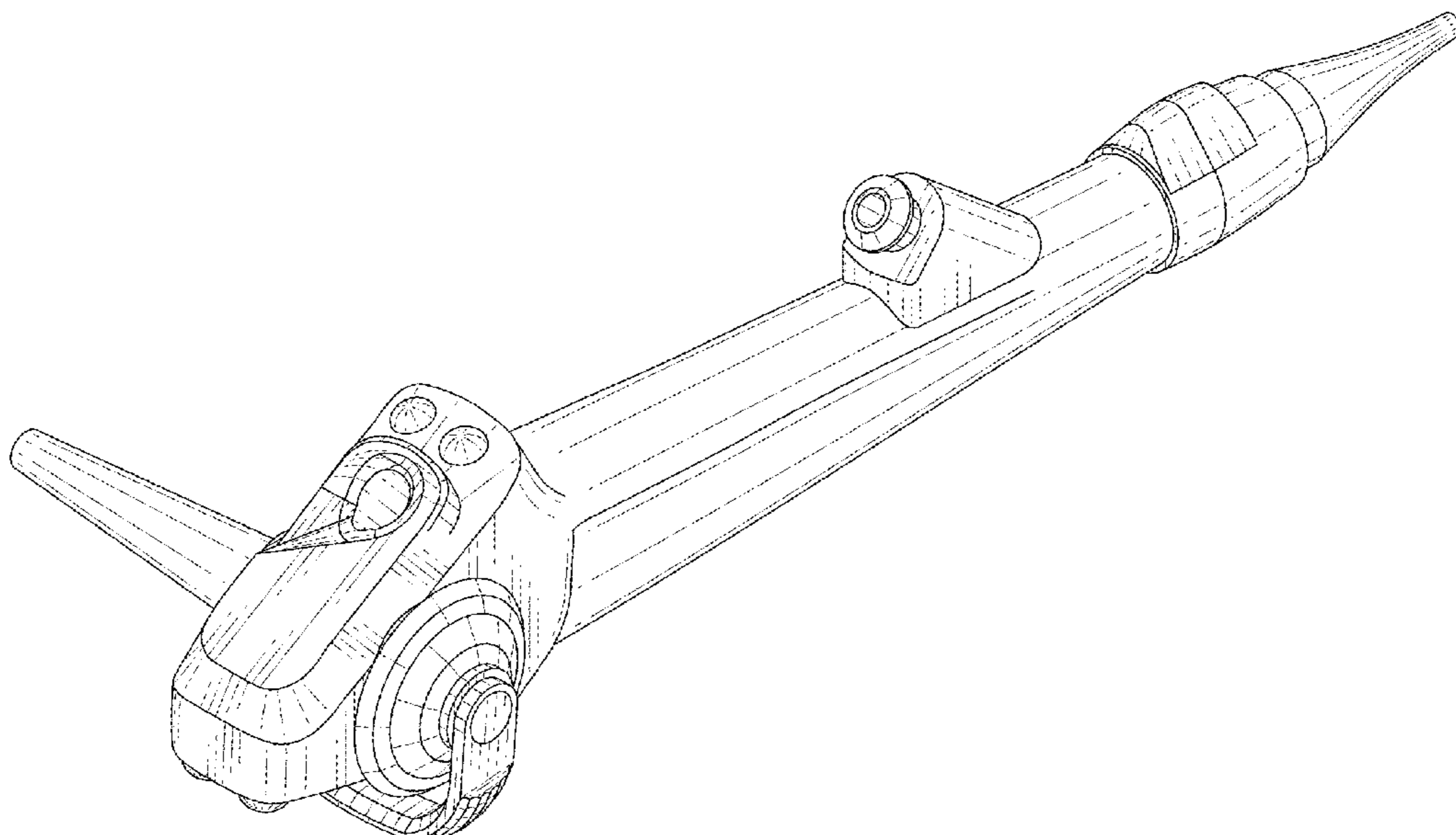
(57) **CLAIM**

The ornamental design for an operating grip for endoscope, as shown and described.

DESCRIPTION

FIG. 1 is a top, front and left side perspective view of an operating grip for endoscope showing my new design; FIG. 2 is a top, rear and left side perspective view thereof; FIG. 3 is a top, front and right side perspective view thereof; FIG. 4 is a bottom, front and left side perspective view thereof; FIG. 5 is a front elevational view thereof; FIG. 6 is a rear elevational view thereof; FIG. 7 is a top plan view thereof; FIG. 8 is a bottom plan view thereof; FIG. 9 is a left side elevational view thereof; FIG. 10 is a right side elevational view thereof; and, FIG. 11 is a cross-sectional view thereof taken along line XXII-XXII of FIG. 9, in which an internal structure thereof is not shown.

1 Claim, 11 Drawing Sheets



(56)

References Cited

U.S. PATENT DOCUMENTS

2016/0331214 A1* 11/2016 Fujitani A61B 1/00114
2019/0216295 A1* 7/2019 Hatano A61B 1/00066
2019/0313886 A1* 10/2019 Hatano A61B 1/015

* cited by examiner

FIG.1

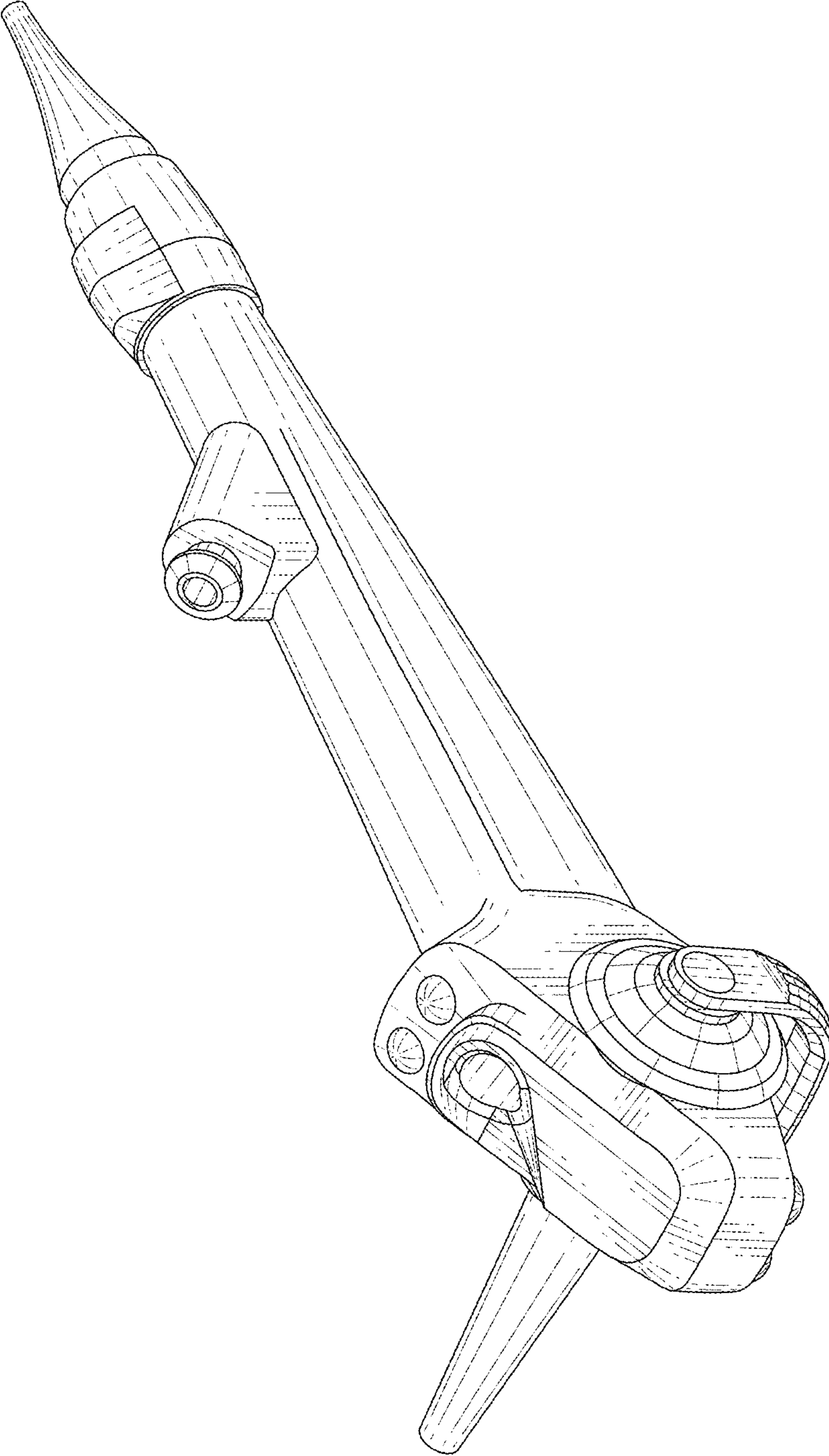


FIG.2

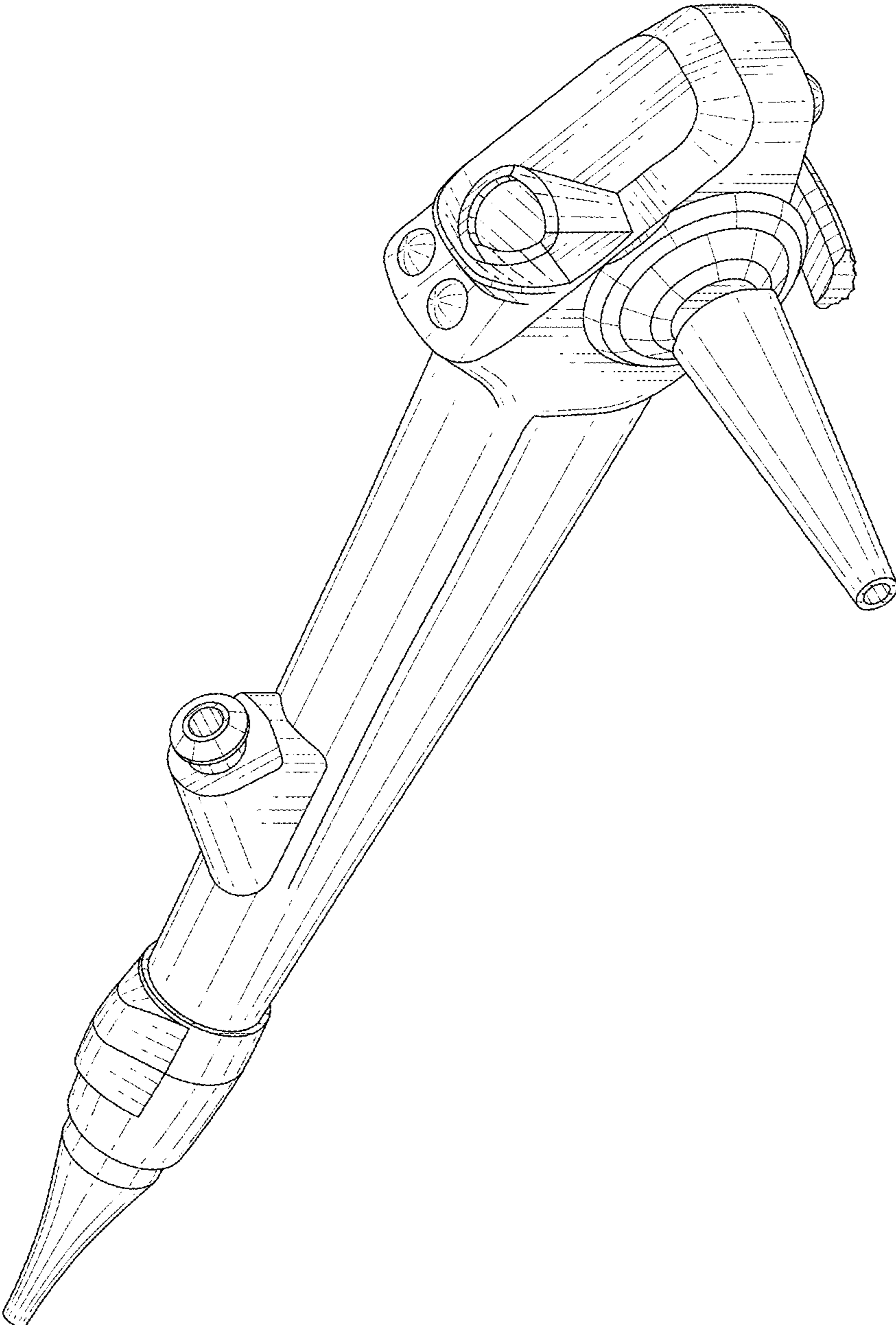


FIG. 3

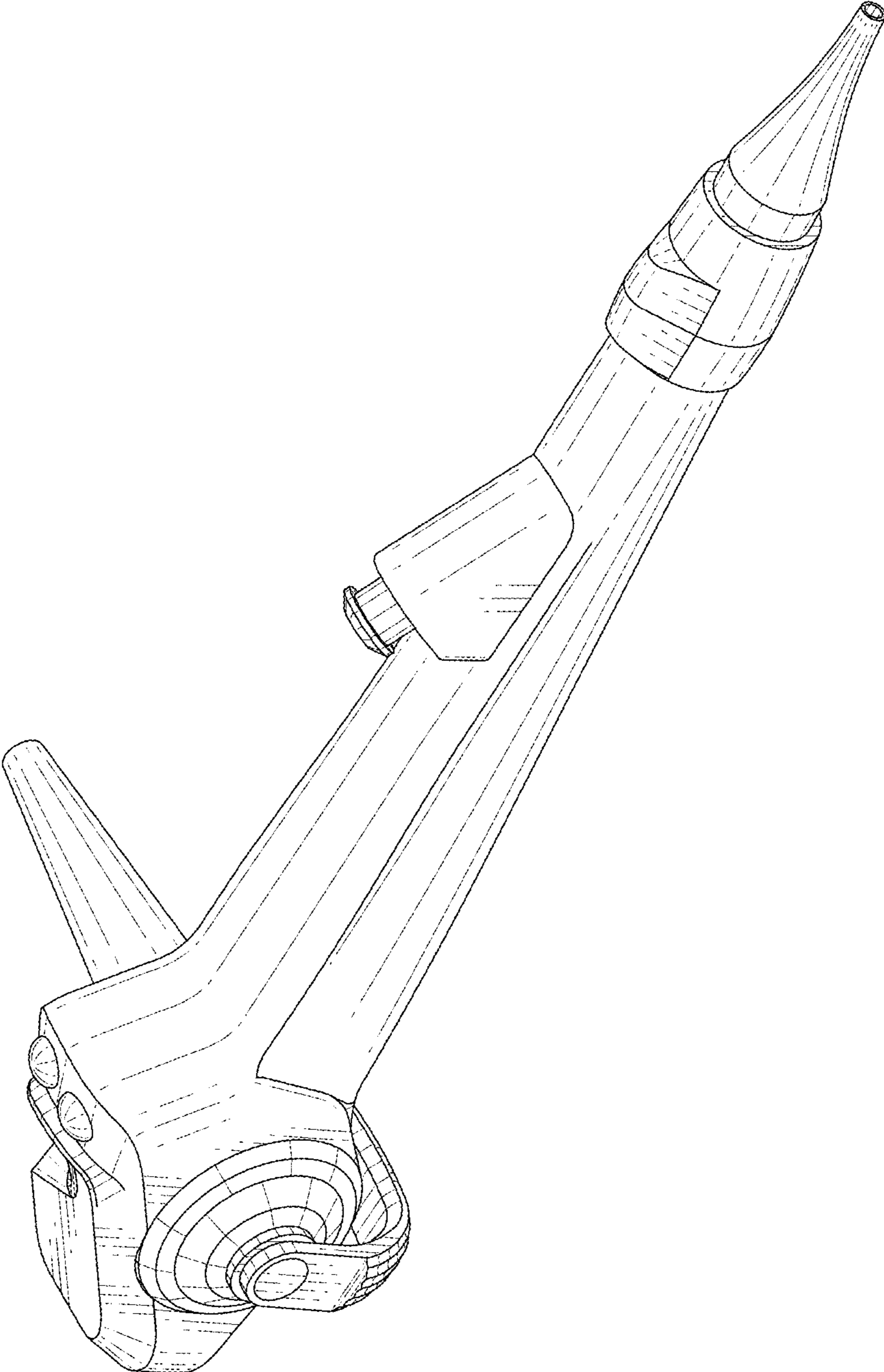


FIG.4

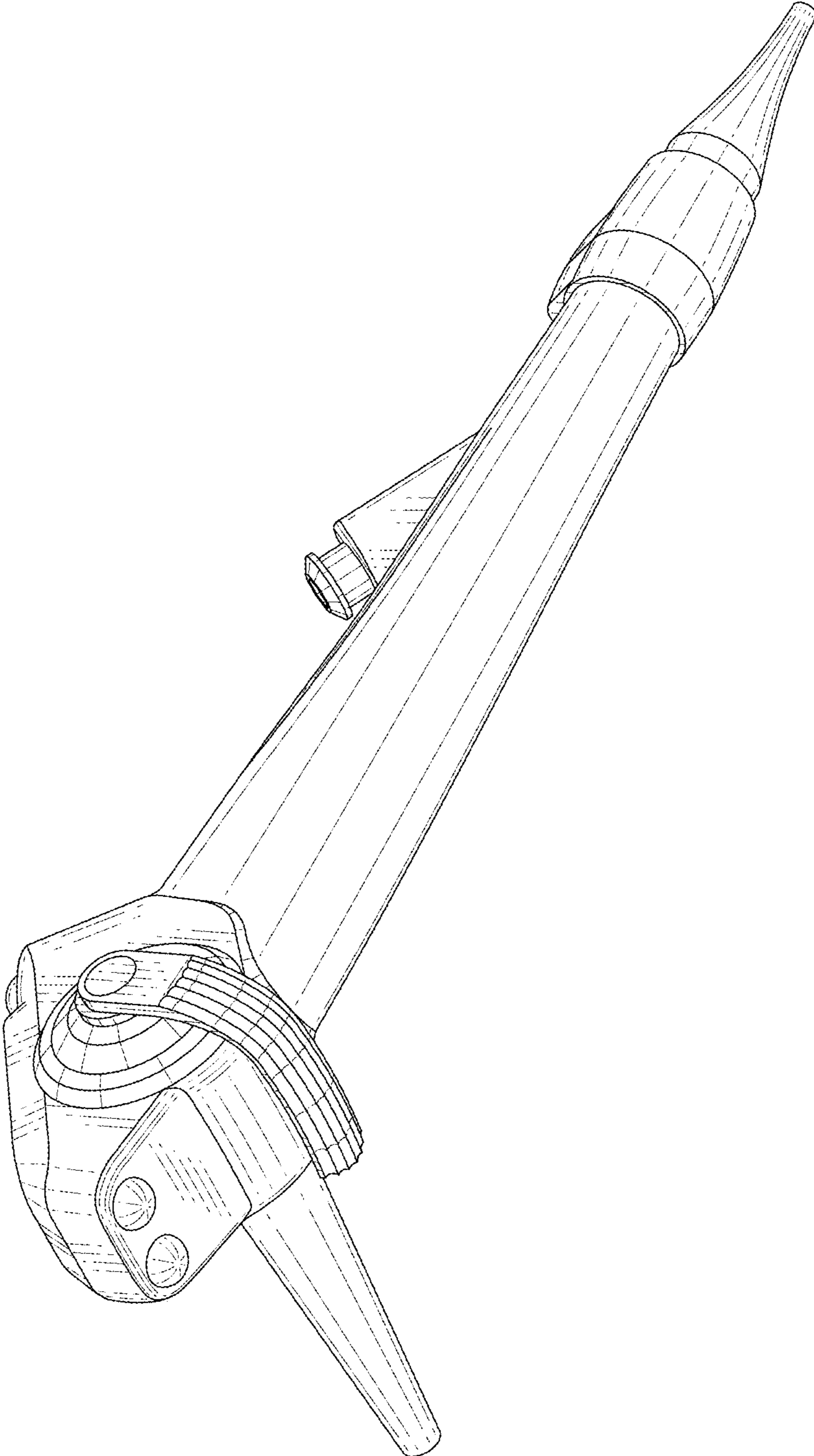


FIG. 5

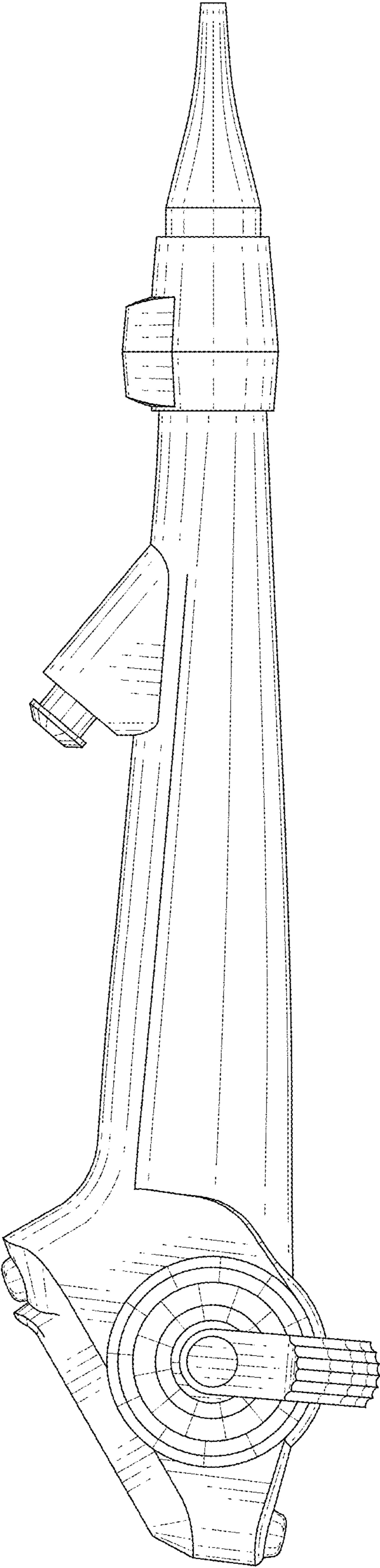


FIG. 6

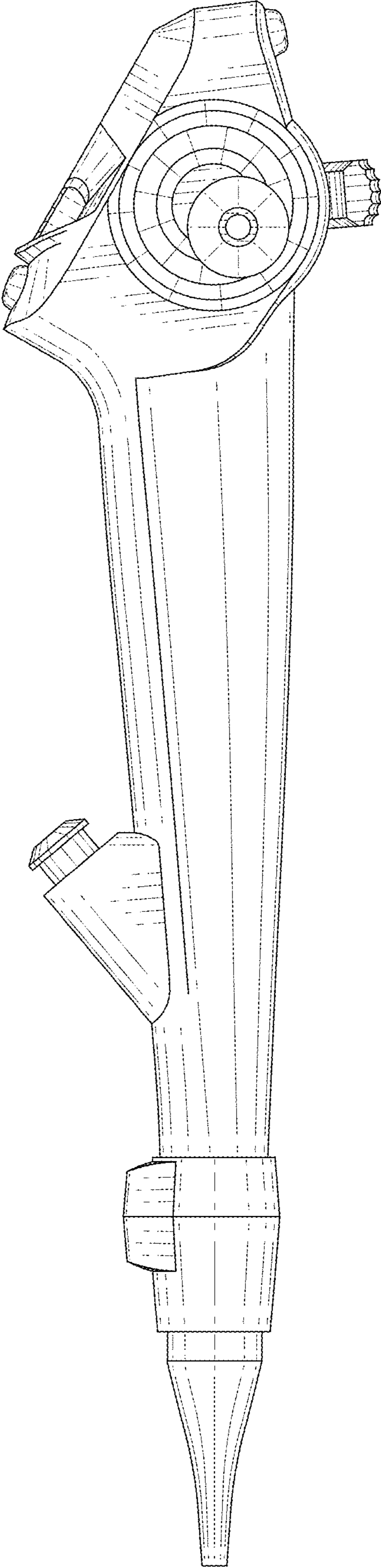


FIG. 7

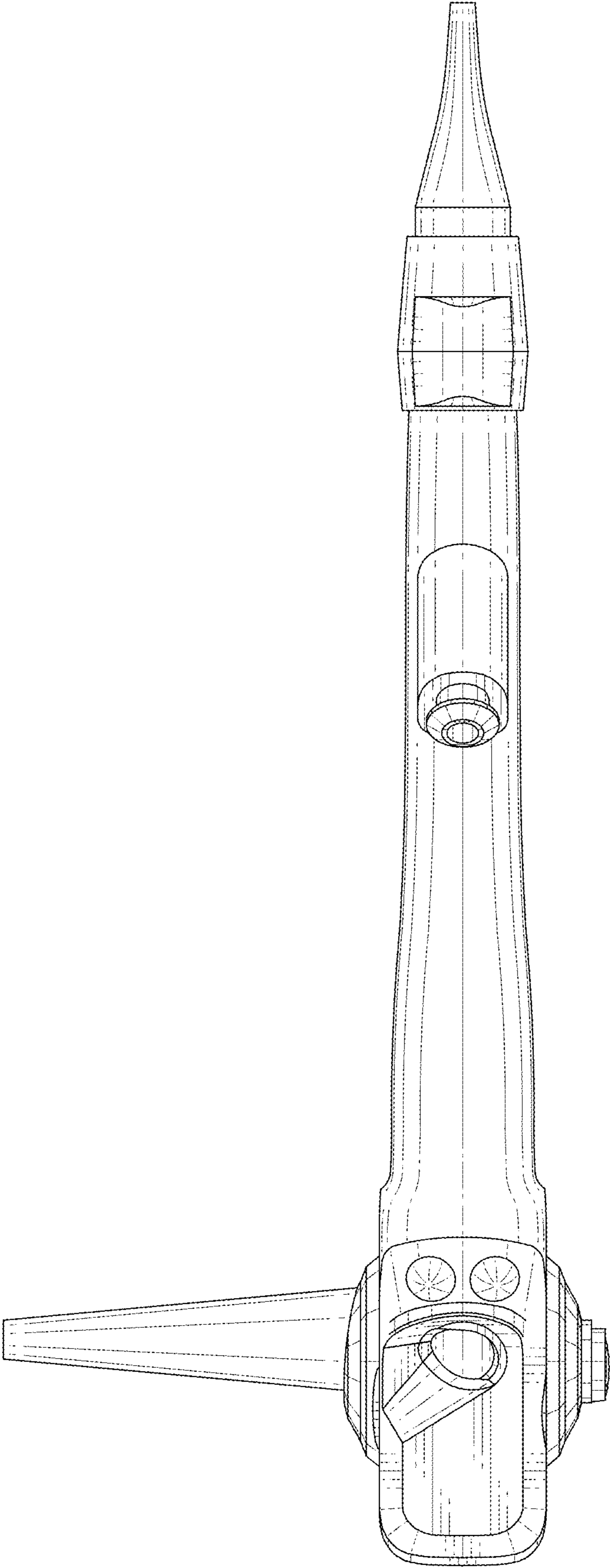


FIG. 8

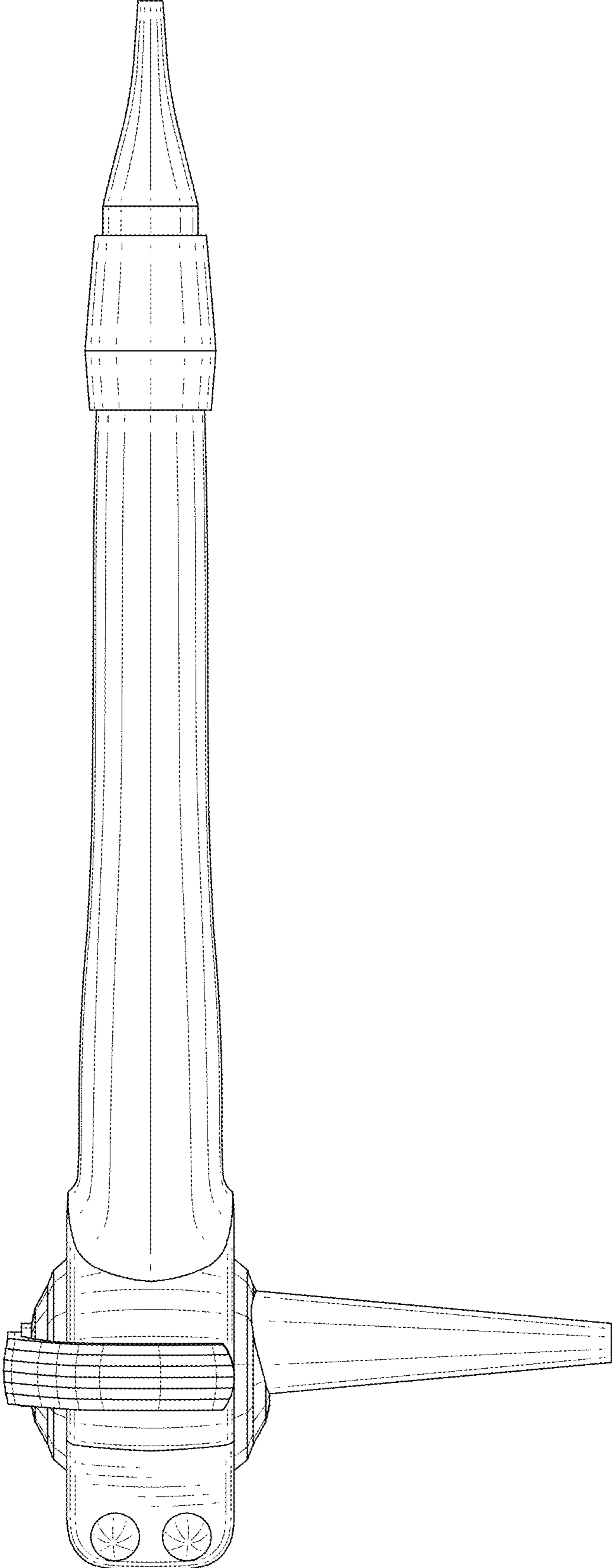


FIG.9

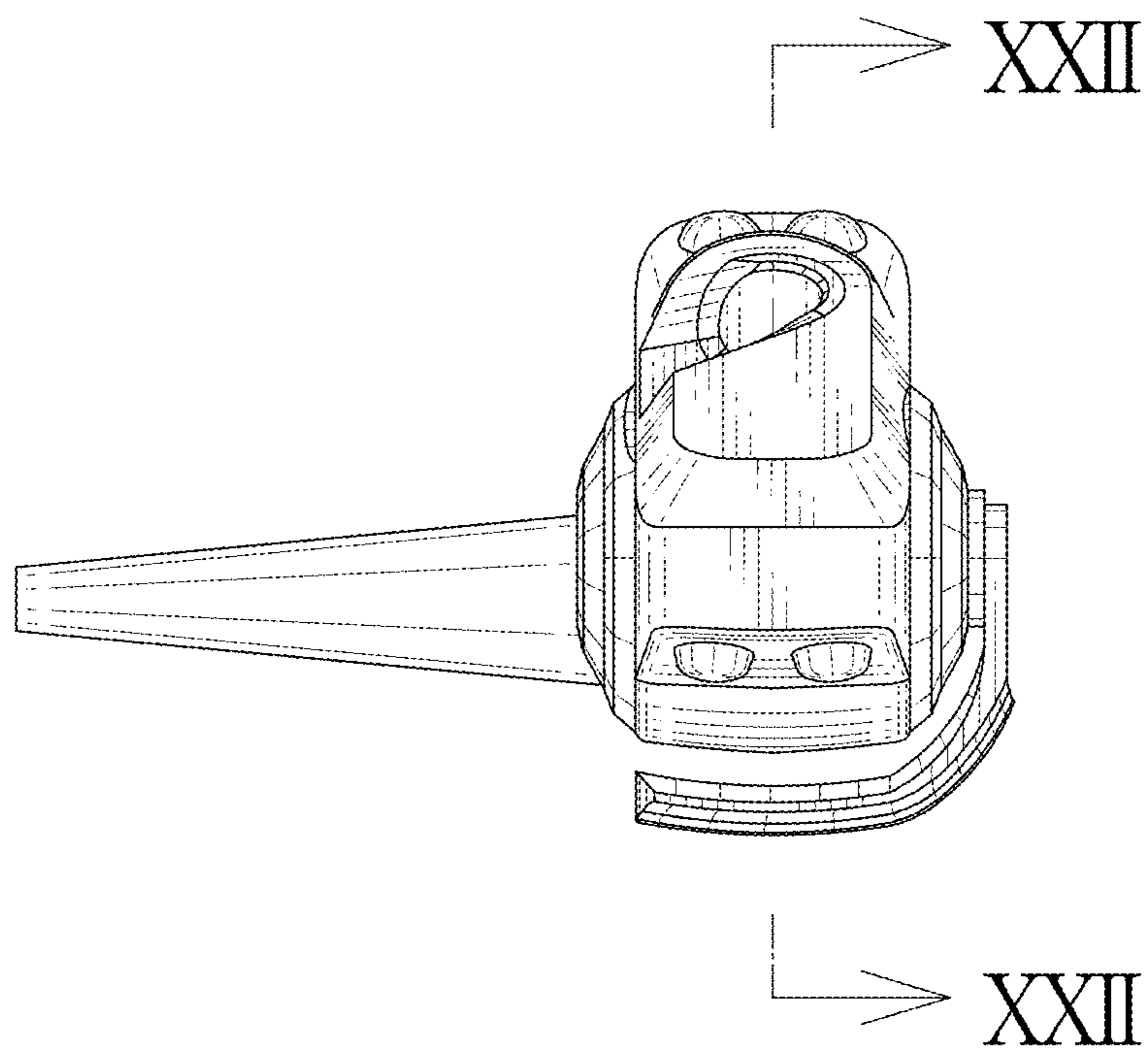


FIG. 10

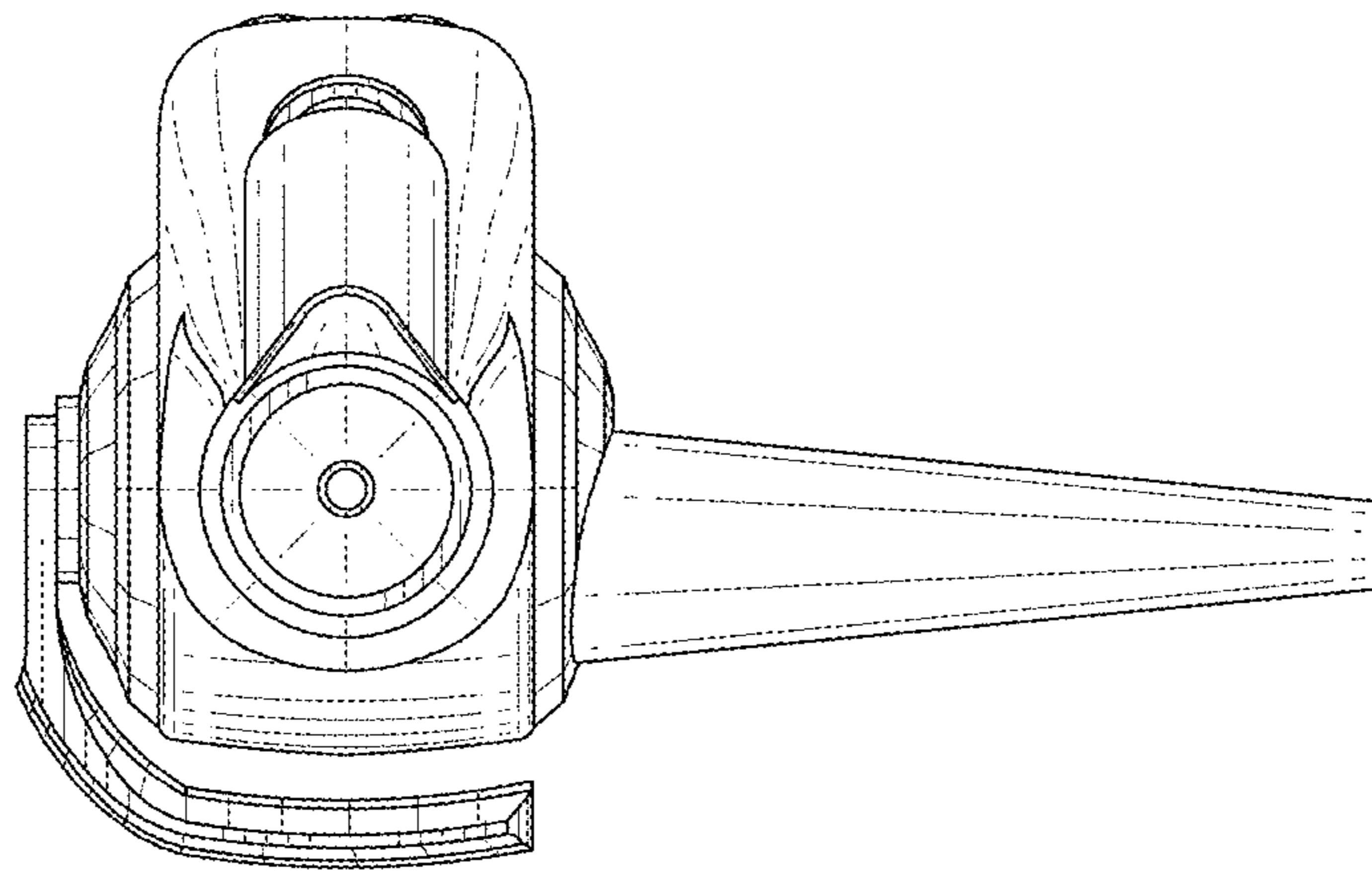


FIG.11

