



US00D970003S

(12) **United States Design Patent** (10) **Patent No.:** **US D970,003 S**
Alexander et al. (45) **Date of Patent:** **** *Nov. 15, 2022**

(54) **NASAL DILATOR**

(71) Applicant: **Simplicity, LLC**, Spanish Fork, UT (US)

(72) Inventors: **Ian J. Alexander**, Boerne, TX (US);
Brian Dean Owens, Plano, TX (US)

(73) Assignee: **Simplicity, LLC**, Spanish Fork, UT (US)

(*) Notice: This patent is subject to a terminal disclaimer.

(**) Term: **15 Years**

(21) Appl. No.: **29/768,951**

(22) Filed: **Feb. 2, 2021**

Related U.S. Application Data

(62) Division of application No. 29/615,938, filed on Aug. 31, 2017, now Pat. No. Des. 920,508, which is a (Continued)

(51) **LOC (13) Cl.** **24-02**

(52) **U.S. Cl.**
USPC **D24/135**

(58) **Field of Classification Search**
USPC D24/106, 133, 335, 136, 152, 153, 154,
D24/156; 600/104, 156, 208, 233, 431;
606/199; 604/94.101, 275, 514
See application file for complete search history.

(56) **References Cited**

U.S. PATENT DOCUMENTS

D247,512 S 3/1978 Sandler
D258,688 S 3/1981 Hodge
(Continued)

FOREIGN PATENT DOCUMENTS

CN 202179770 U 4/2012
CN 102526868 A 7/2012
(Continued)

OTHER PUBLICATIONS

CN 102526868, Xiuxang Song—English Translation Jul. 4, 2012 3 pages.

(Continued)

Primary Examiner — Samantha Q Lawrence

(74) *Attorney, Agent, or Firm* — Goodhue, Coleman & Owens, P.C.

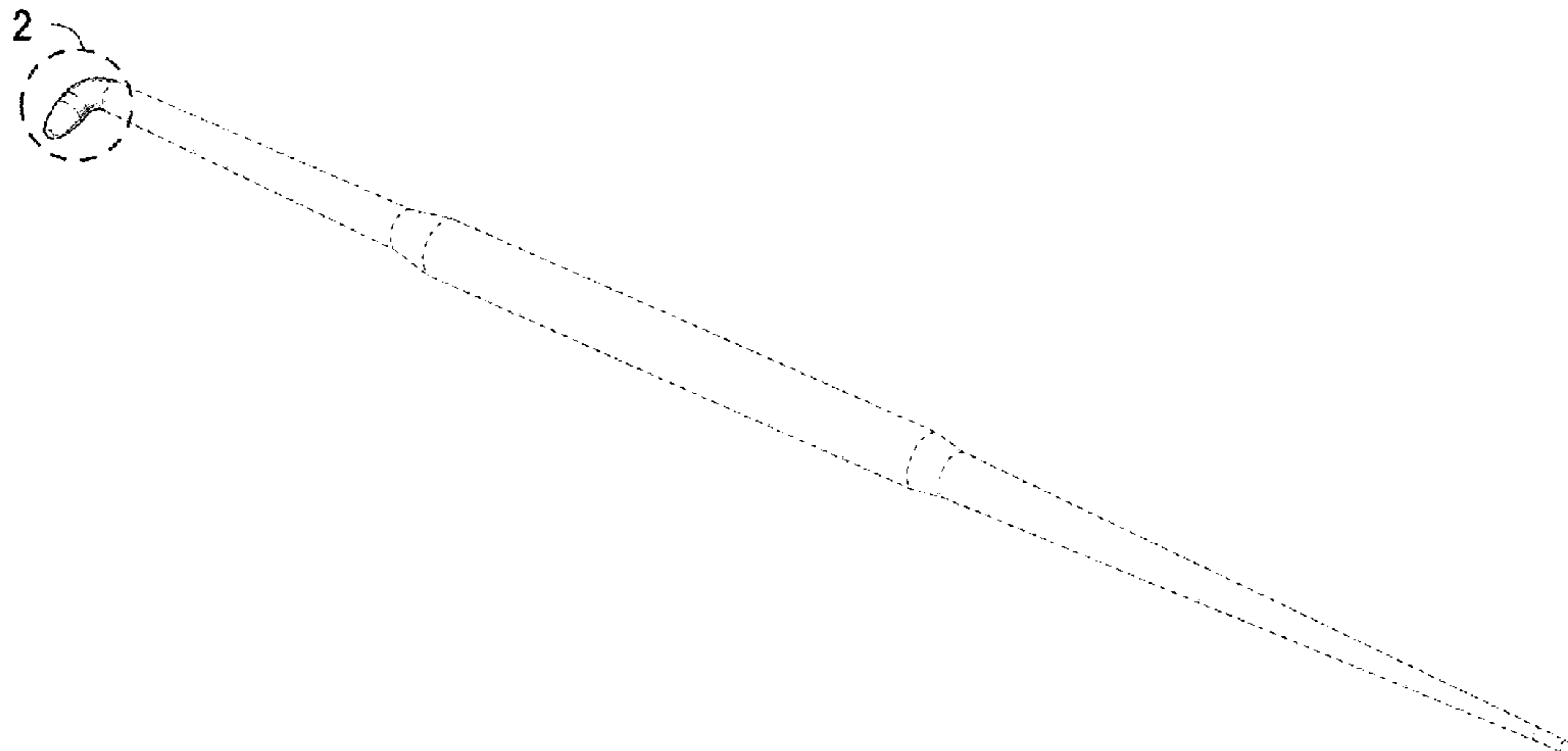
(57) **CLAIM**

The ornamental design for a nasal dilator, as shown and described.

DESCRIPTION

FIG. 1 is a perspective view of a nasal dilator showing our new design;
FIG. 2 is an enlarged view of the left side of the nasal dilator shown in FIG. 1 taken along line 2;
FIG. 3 is a front view of the nasal dilator shown in FIG. 1;
FIG. 4 is an enlarged view of the left side of the nasal dilator shown in FIG. 3 taken along line 4;
FIG. 5 is a back view of the nasal dilator shown in FIG. 1;
FIG. 6 is an enlarged view of the left side of the nasal dilator shown in FIG. 5 taken along line 6;
FIG. 7 is a top view of the nasal dilator shown in FIG. 1;
FIG. 8 is an enlarged view of the left side of the nasal dilator shown in FIG. 7 taken along line 8;
FIG. 9 is an end view of the right side of the nasal dilator shown in FIG. 1;
FIG. 10 is an enlarged view of FIG. 9;
FIG. 11 is an end view of the left side of the nasal dilator shown in FIG. 1; and,
FIG. 12 is an enlarged view of FIG. 11.
In the drawings the broken lines represent features of the nasal dilator that form no part of the claimed design.

1 Claim, 5 Drawing Sheets



Related U.S. Application Data

division of application No. 29/492,718, filed on Jun. 2, 2014, now Pat. No. Des. 802,127.

(56)

References Cited

U.S. PATENT DOCUMENTS

D269,206 S 5/1983 Glassman
 5,207,702 A 5/1993 Pearl
 5,284,128 A 2/1994 Hart
 D379,227 S 5/1997 Rosen
 D382,342 S 8/1997 Rosen
 D436,174 S 1/2001 Komamura
 D438,954 S 3/2001 Orsing
 D439,979 S 4/2001 Strobel et al.
 D442,687 S 5/2001 Schulz
 6,241,729 B1 6/2001 Estes et al.
 D453,378 S 2/2002 Mangione
 D460,555 S 7/2002 Holbrook
 D485,358 S 1/2004 Woo
 D516,722 S 3/2006 Mak
 D531,727 S 11/2006 Mak
 D571,468 S 6/2008 Wu
 D571,913 S 6/2008 Wu
 7,771,409 B2 8/2010 Chang et al.
 D623,741 S 9/2010 Kupferschmid et al.
 7,803,150 B2 9/2010 Chang et al.
 D627,460 S 11/2010 Horton
 D629,896 S 12/2010 Horton
 D631,962 S 2/2011 Dorman
 D644,737 S 9/2011 Sono
 D648,021 S 11/2011 Dorman
 8,172,828 B2 5/2012 Chang et al.
 8,182,432 B2 5/2012 Kim et al.
 D665,076 S 8/2012 Sauer et al.
 D666,292 S 8/2012 Miles et al.
 D666,293 S 8/2012 Miles et al.
 8,679,103 B2 3/2014 Krespi
 8,721,591 B2 5/2014 Chang et al.
 8,834,513 B2 9/2014 Hanson et al.

D724,725 S 3/2015 Chang
 D735,856 S 8/2015 Koch
 9,138,569 B2 9/2015 Edgren et al.
 D772,408 S 11/2016 Alexander et al.
 D792,589 S 7/2017 Alexander et al.
 D802,127 S 11/2017 Alexander et al.
 D804,665 S 12/2017 Alexander et al.
 D834,188 S 11/2018 Alexander et al.
 D852,952 S 7/2019 Alexander et al.
 D865,957 S 11/2019 Alexander et al.
 D865,958 S 11/2019 Alexander et al.
 D920,508 S * 5/2021 Alexander D24/135
 2004/0073141 A1 4/2004 Hartley et al.
 2010/0071857 A1 3/2010 Hung
 2010/0198247 A1 8/2010 Chang et al.
 2010/0203474 A1 8/2010 Chen
 2011/0021975 A1 1/2011 Covello
 2011/0022172 A1 1/2011 Gonzales et al.
 2012/0053404 A1 3/2012 Schreck et al.
 2012/0071857 A1 3/2012 Goldfarb et al.
 2012/0330345 A1 12/2012 Tasca
 2013/0253567 A1 * 9/2013 Edgren A61F 2/186
 606/199
 2013/0274600 A1 * 10/2013 Jenkins A61M 25/01
 600/431
 2015/0066071 A1 * 3/2015 Alexander A61M 29/00
 606/199

FOREIGN PATENT DOCUMENTS

WO 2008036149 A2 3/2008
 WO 2013130464 A1 9/2013
 WO 2013155409 A1 10/2013
 WO 2015035048 A2 3/2015

OTHER PUBLICATIONS

CN202179770, Yongsheng Tian—English Translation Apr. 4, 2012
 3 pages.

* cited by examiner

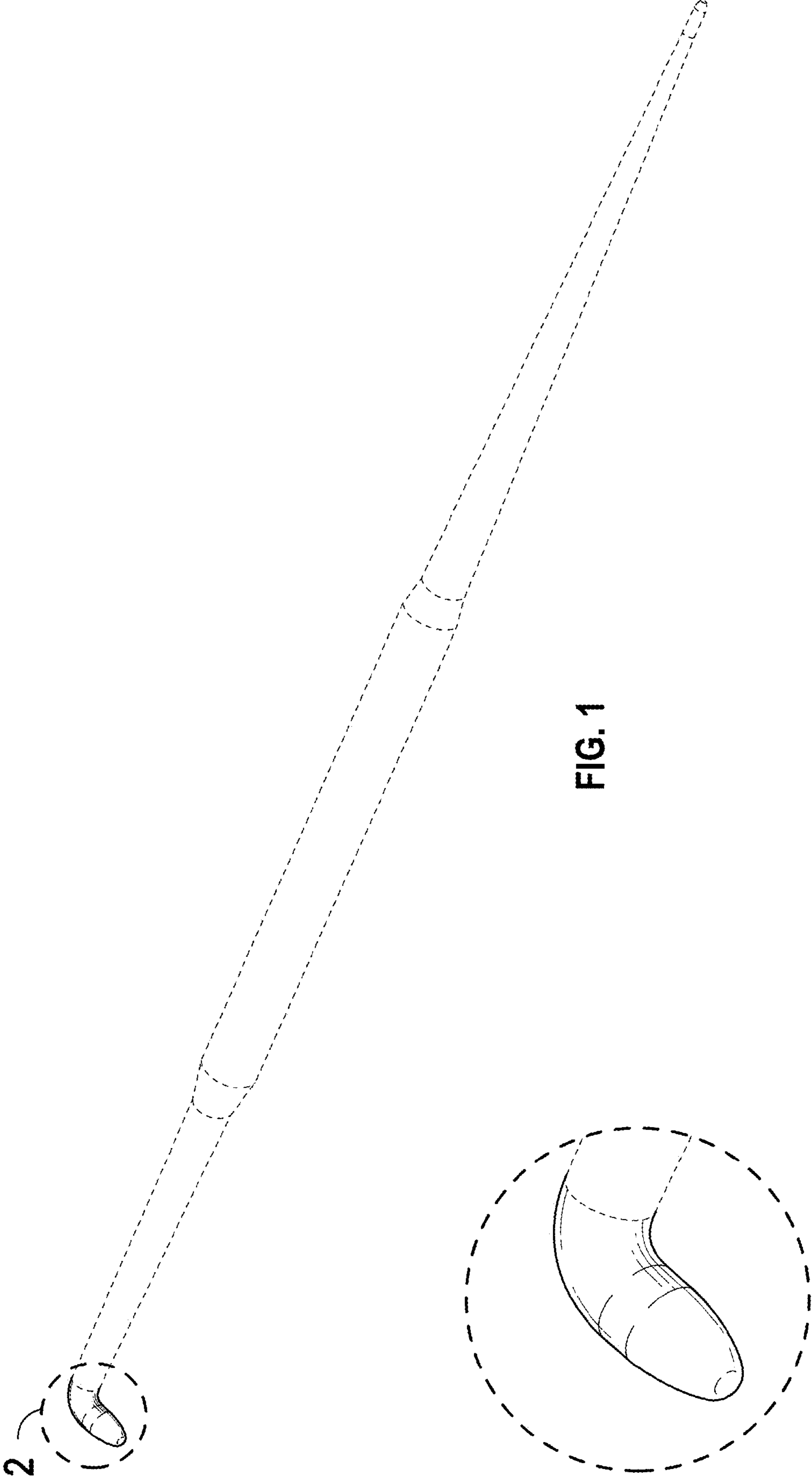


FIG. 1

FIG. 2

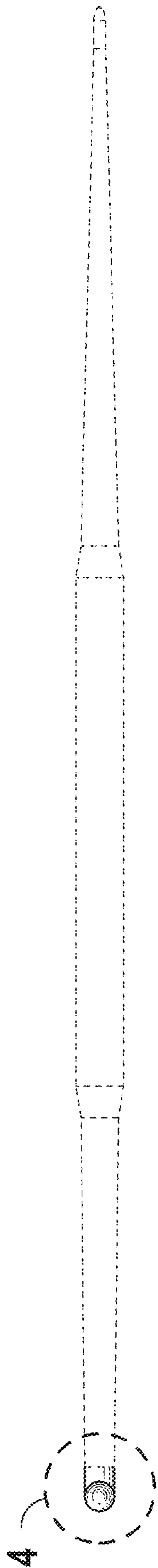


FIG. 3

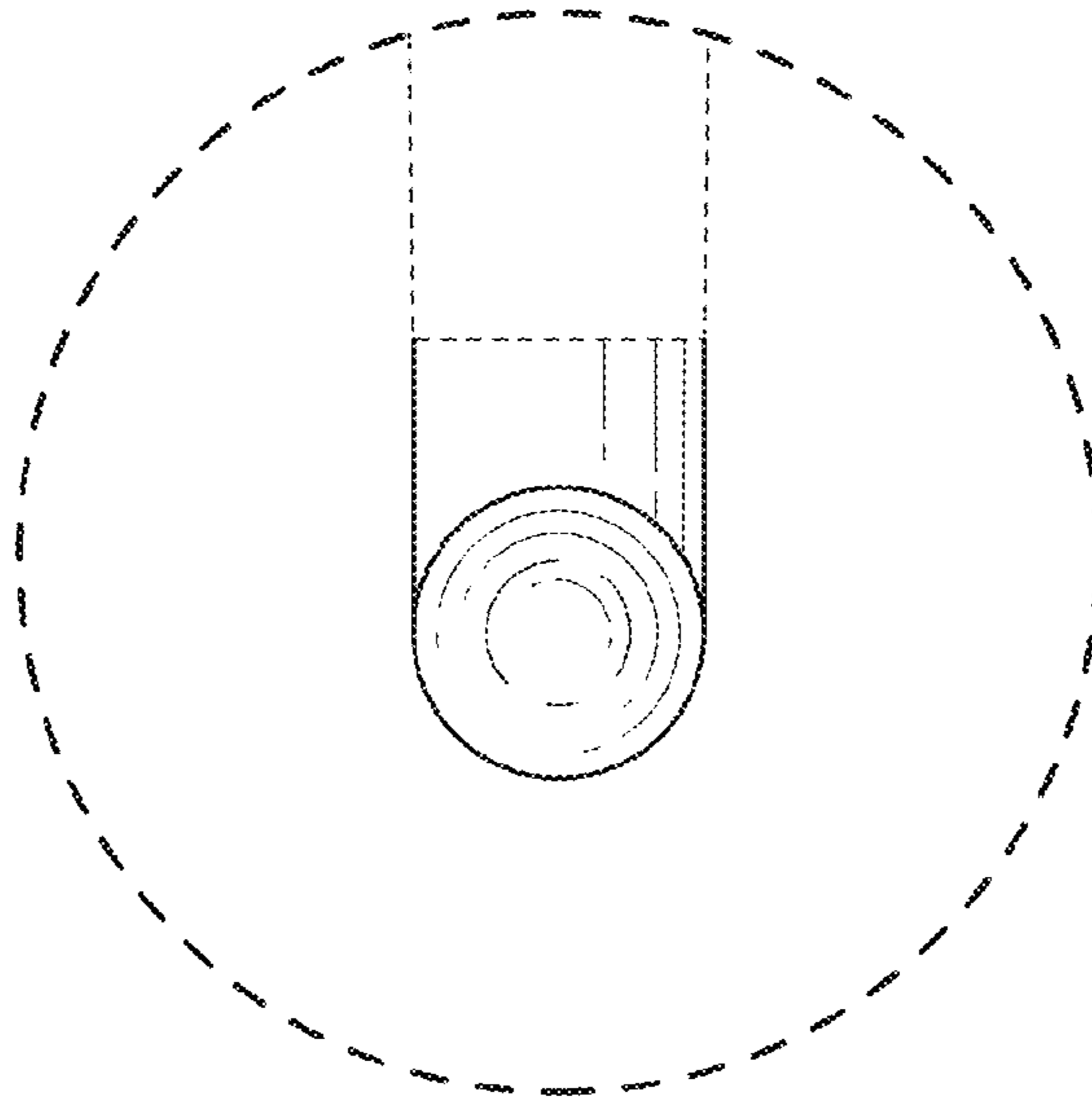


FIG. 4

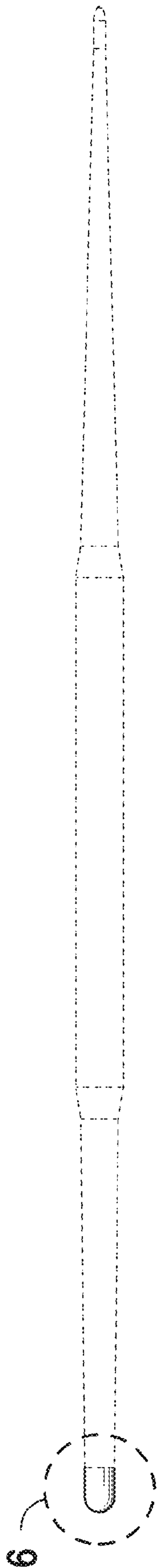


FIG. 5

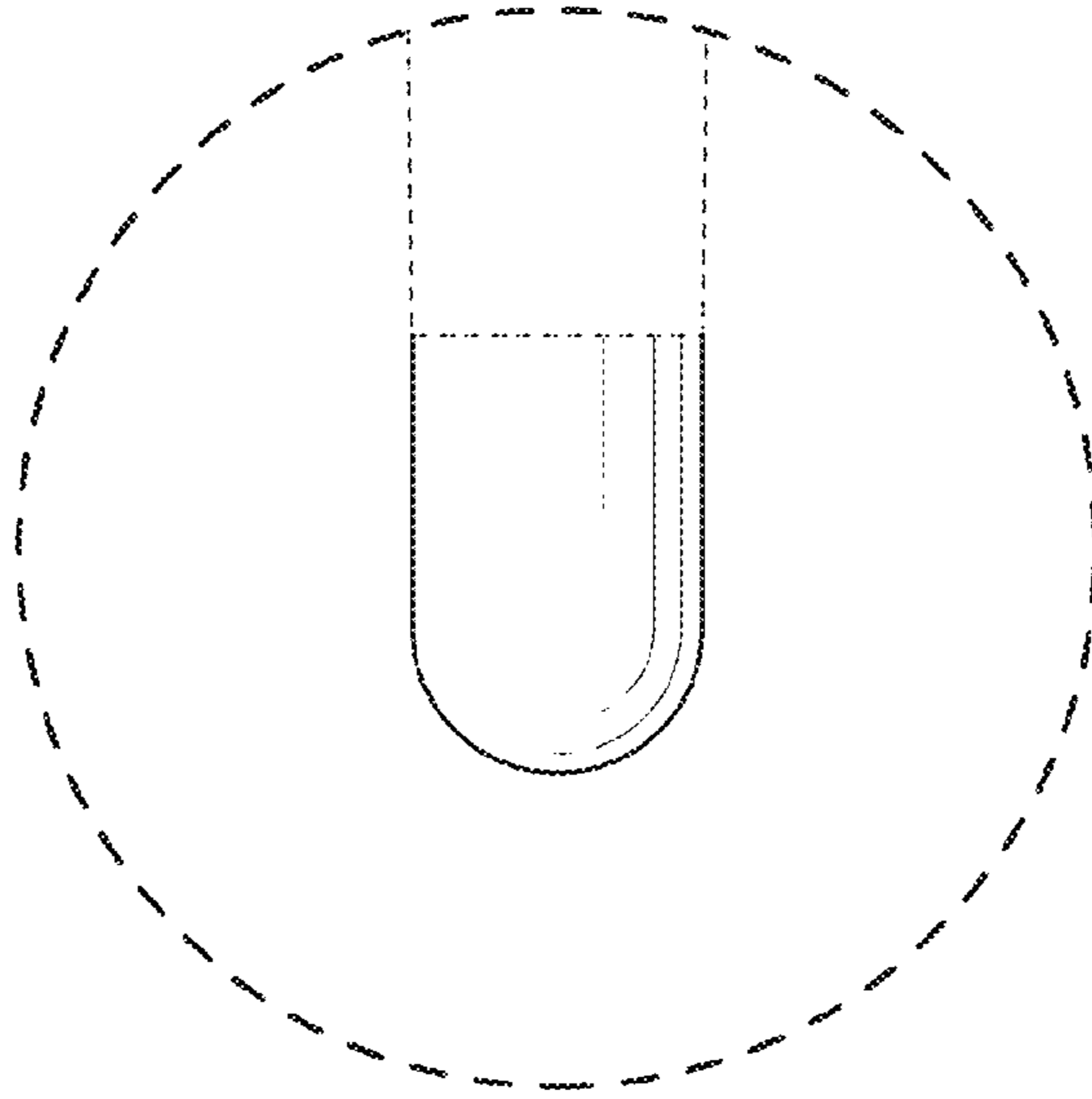


FIG. 6

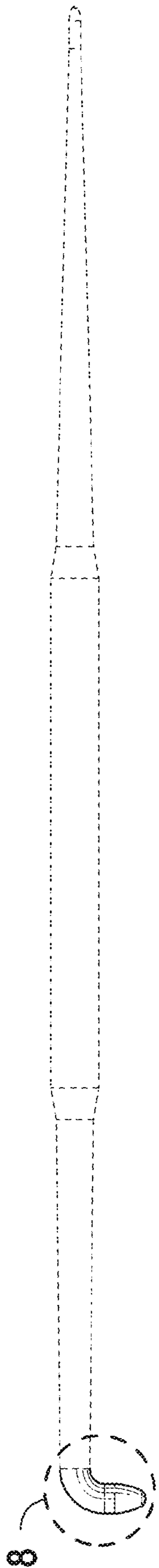


FIG. 7

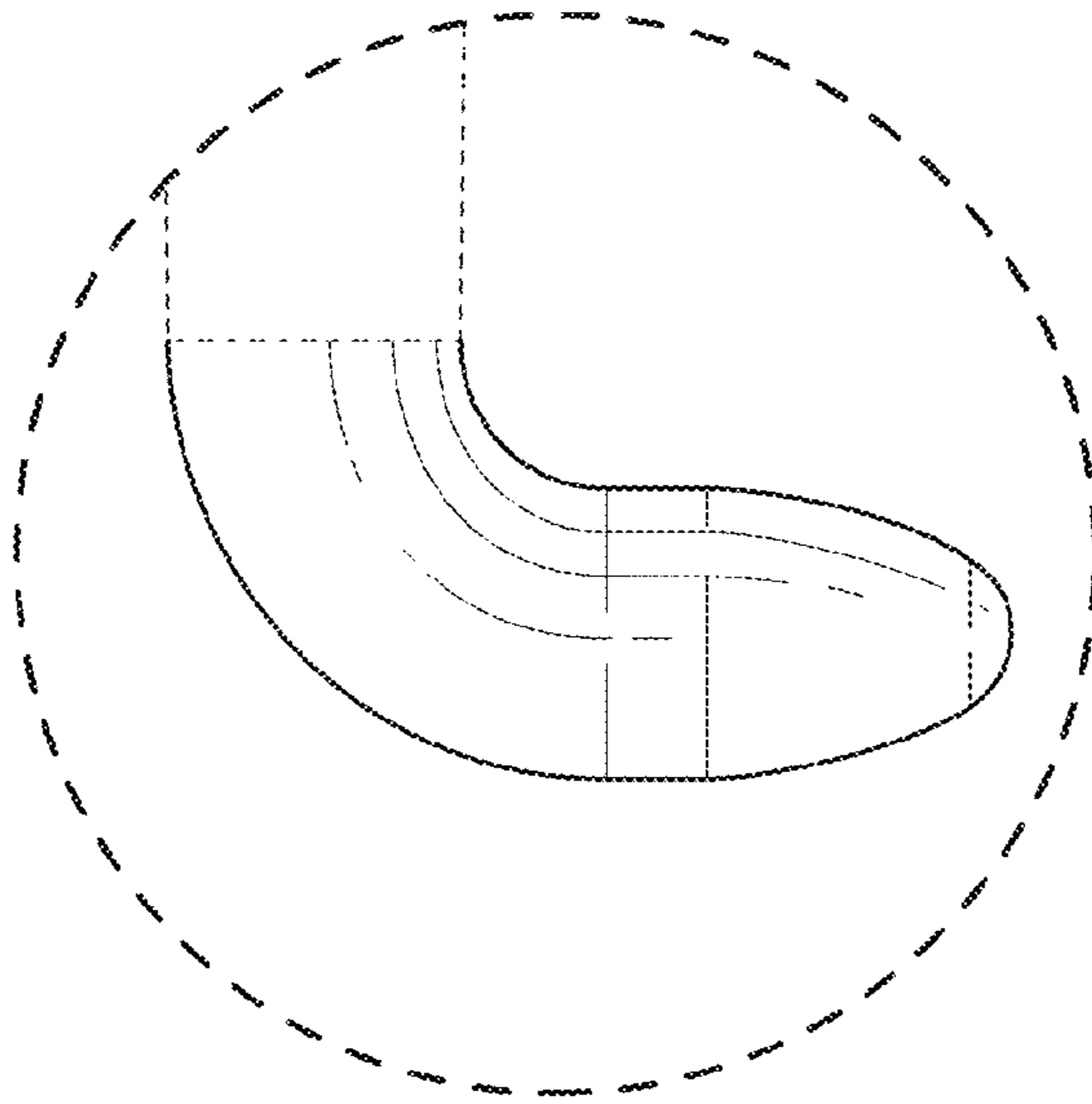


FIG. 8

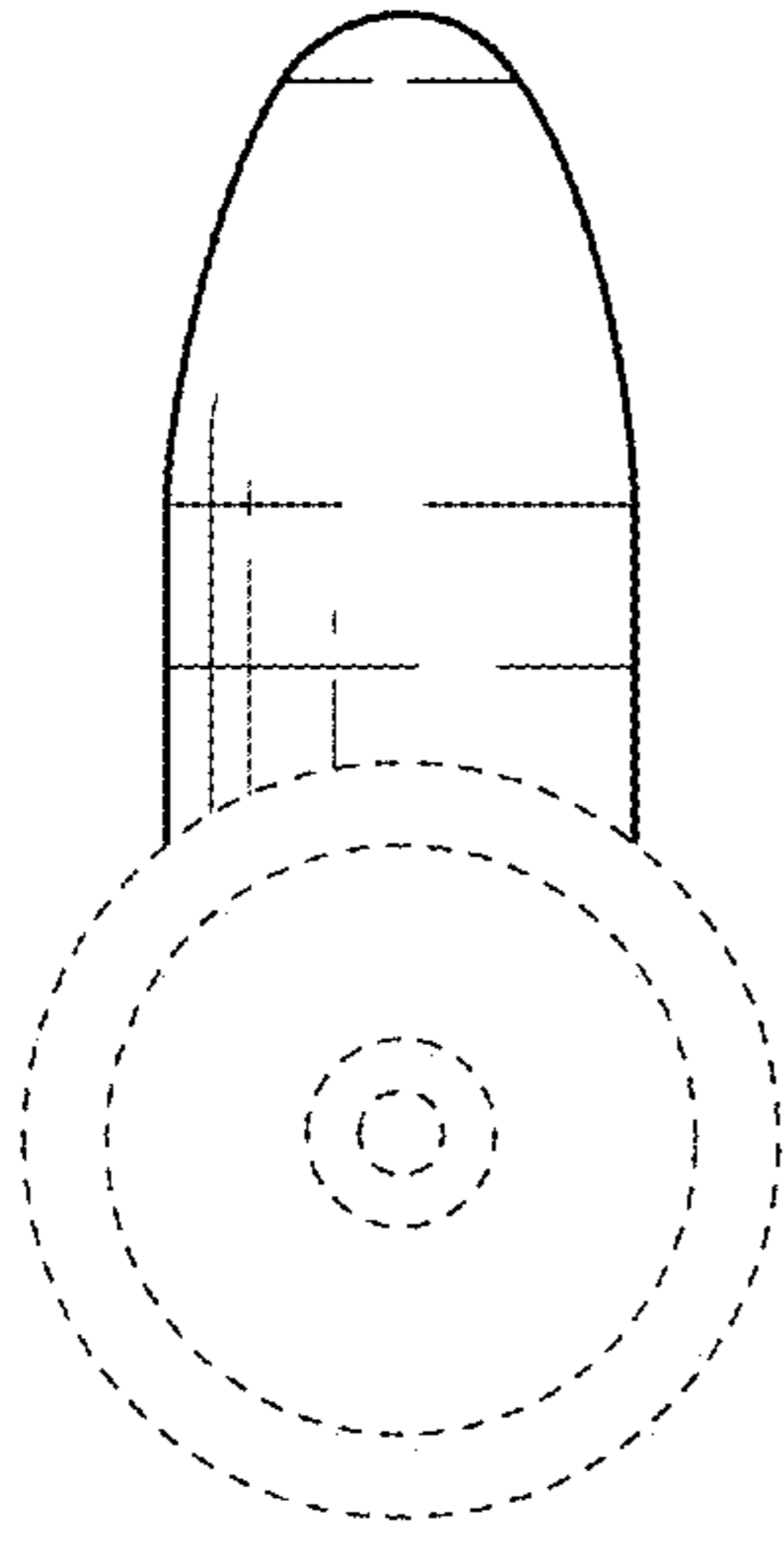


FIG. 9

FIG. 10

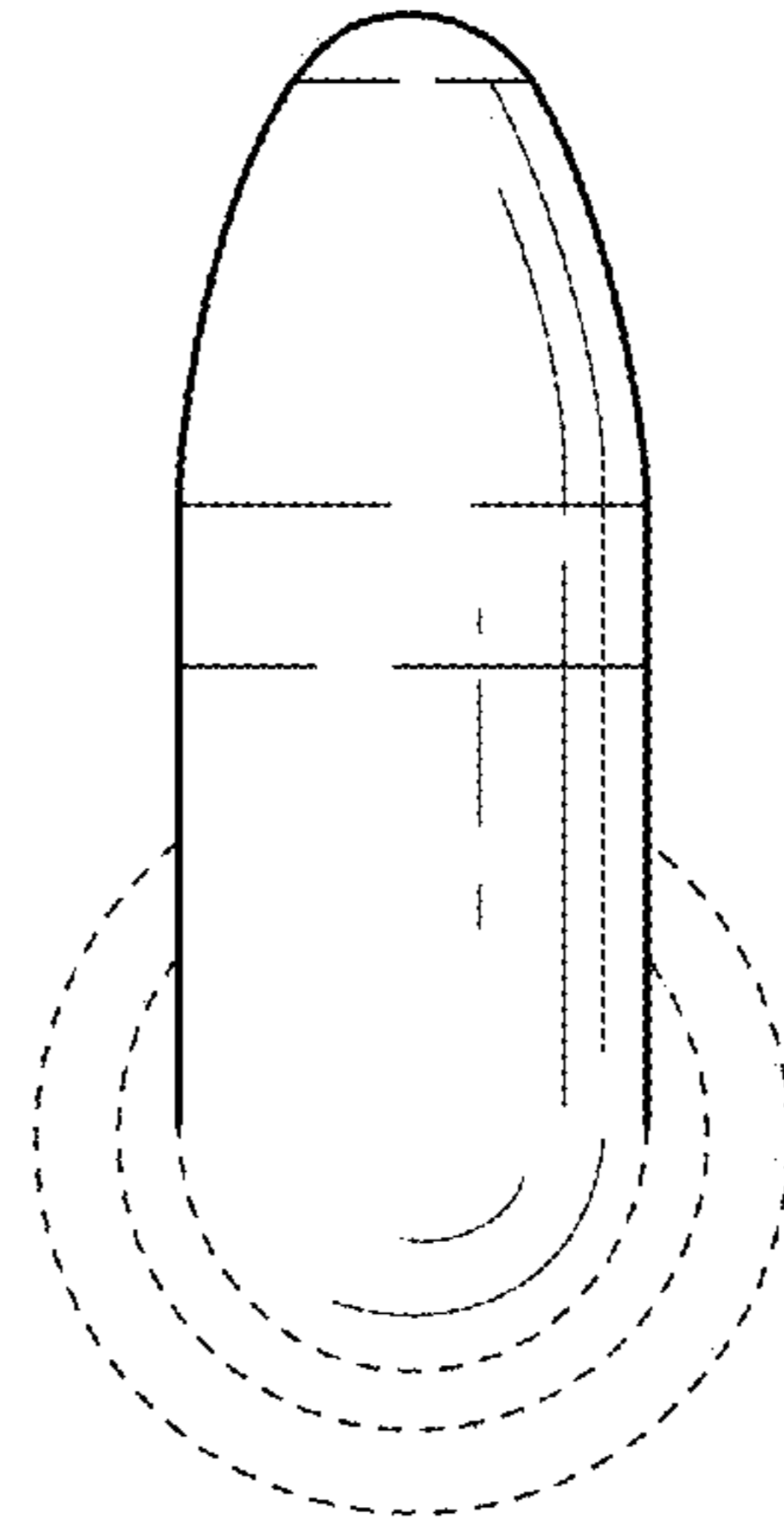


FIG. 11

FIG. 12