



US00D970000S

(12) **United States Design Patent**  
**James**

(10) **Patent No.:** **US D970,000 S**

(45) **Date of Patent:** **\*\* Nov. 15, 2022**

(54) **SWAB**

(71) Applicant: **Augusta University Research Institute, Inc.**, Augusta, GA (US)

(72) Inventor: **Jeffrey James**, Augusta, GA (US)

(73) Assignee: **AUGUSTA UNIVERSITY RESEARCH INSTITUTE, INC.**, Augusta, GA (US)

(\*\*) Term: **15 Years**

(21) Appl. No.: **29/773,981**

(22) Filed: **Mar. 12, 2021**

(51) **LOC (13) Cl.** ..... **24-02**

(52) **U.S. Cl.**  
USPC ..... **D24/119**

(58) **Field of Classification Search**  
USPC ..... D24/100, 105, 107, 108, 110, 111, 112, D24/113, 114, 115, 116, 117, 118, 119, D24/140, 141, 144, 146, 147, 223, 224, D24/228, 133, 184, 186, 200, 214; D28/7; D10/81

CPC ..... A61F 11/006; A61F 13/38; A61F 13/15; A61F 13/64; A61F 13/467; A61F 13/5611; A61F 13/4704; A61F 13/5616; A61F 13/4758; A61F 13/472; A61B 2017/246; A61B 17/1615; A61B 17/1697; A61B 2018/0231; A61B 18/2018; A61M 2210/0662; A61C 19/04; B01L 2300/0825; B01L 3/5023; B01L 3/5209; C12M 1/30; G01N 33/5302

See application file for complete search history.

(56) **References Cited**

**U.S. PATENT DOCUMENTS**

D423,100 S \* 4/2000 Maissami ..... D4/135  
D458,456 S \* 6/2002 Dragan ..... D24/176

D489,535 S \* 5/2004 Dragan ..... D28/7  
D500,410 S \* 1/2005 Dragan ..... D28/7  
7,211,061 B1 \* 5/2007 Maxwell ..... A61M 31/00  
D24/119  
D583,066 S \* 12/2008 Afifyan ..... D24/216  
D768,868 S \* 10/2016 Inoue ..... D24/216  
D772,398 S \* 11/2016 Triva ..... D24/119  
D821,602 S \* 6/2018 Sever ..... G01N 35/10  
D24/216  
D944,411 S \* 2/2022 Goh ..... D24/216  
2011/0275153 A1 \* 11/2011 Butler ..... A01N 1/0268  
435/307.1  
2016/0367227 A1 \* 12/2016 Triva ..... C12M 33/02  
2021/0307972 A1 \* 10/2021 El-Fahmawi ..... A61B 10/0051

\* cited by examiner

*Primary Examiner* — Samantha Q Lawrence

(74) *Attorney, Agent, or Firm* — Smith, Gambrell & Russell, LLP

(57) **CLAIM**

The ornamental design for a swab, as shown and described.

**DESCRIPTION**

FIG. 1 shows a front perspective view of a swab showing my new design;

FIG. 2 shows a front elevation view of the swab shown in FIG. 1;

FIG. 3 shows a rear elevation view of the swab shown in FIG. 1;

FIG. 4 shows a right elevation view of the swab shown in FIG. 1;

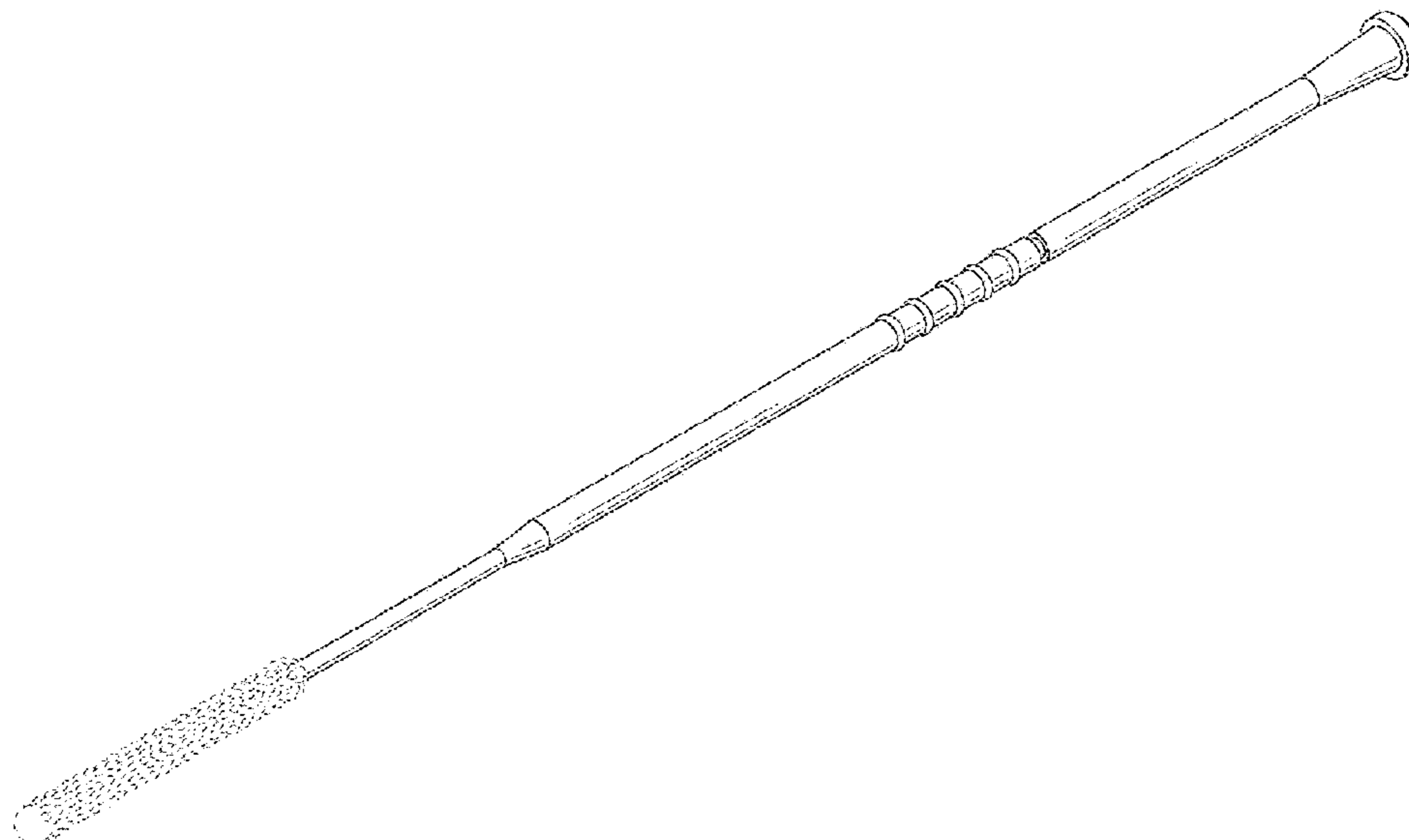
FIG. 5 shows a left elevation view of the swab shown in FIG. 1;

FIG. 6 shows a top plan view of the swab shown in FIG. 1; and,

FIG. 7 shows a bottom plan view of the swab shown in FIG. 1.

Features shown in broken line format illustrate portions of the swab that form no part of the claimed design.

**1 Claim, 7 Drawing Sheets**



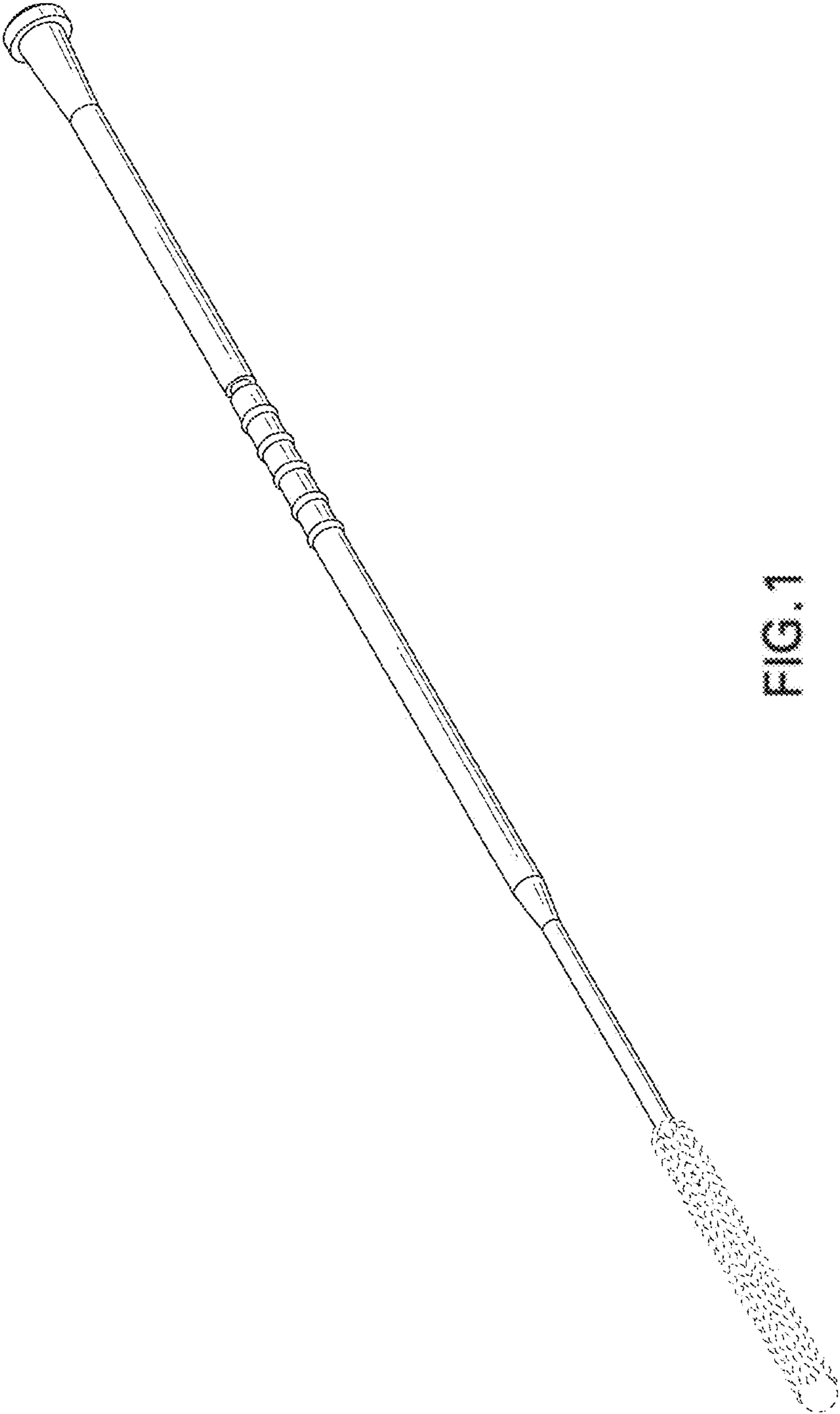


FIG. 1

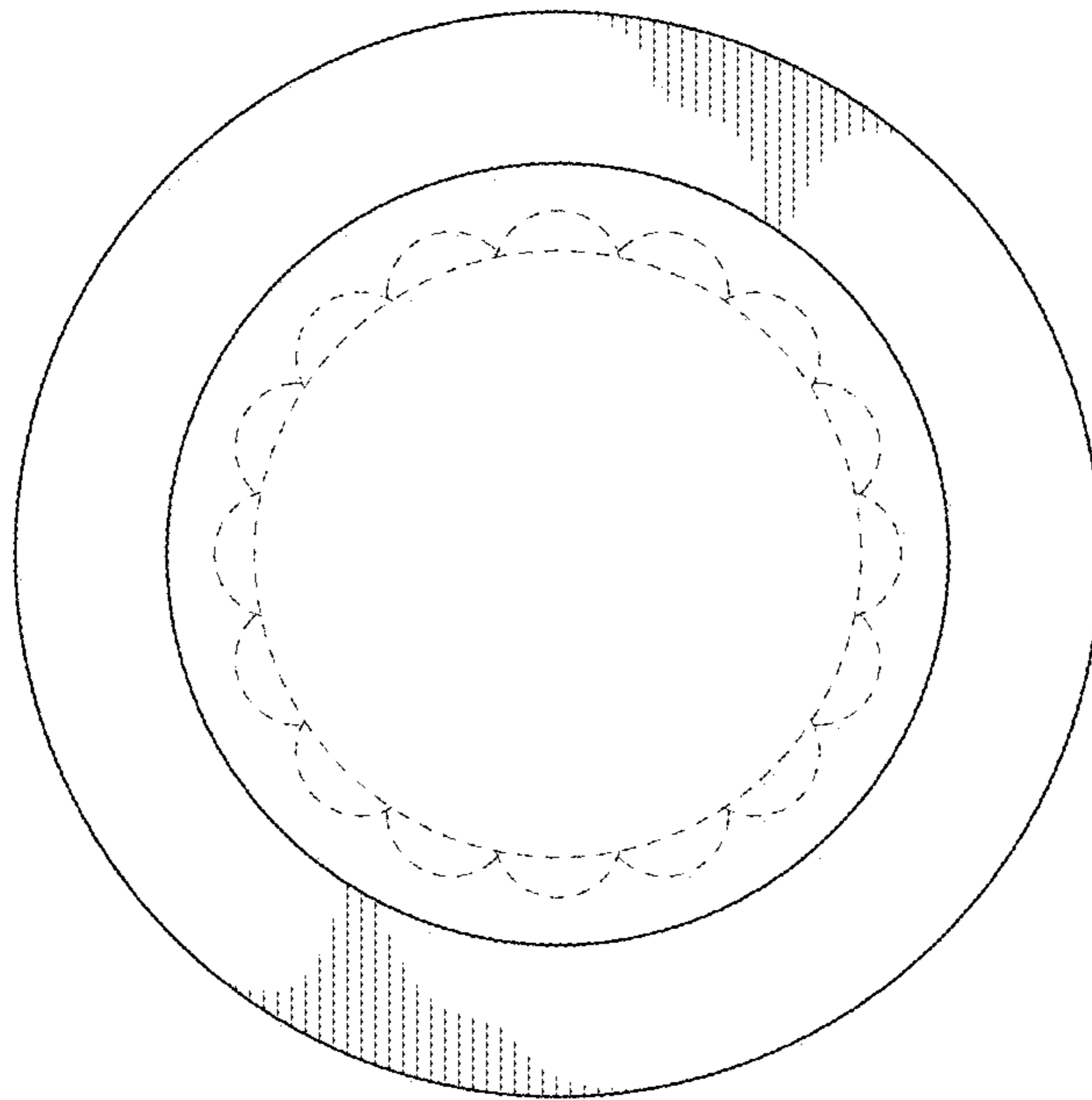


FIG. 2

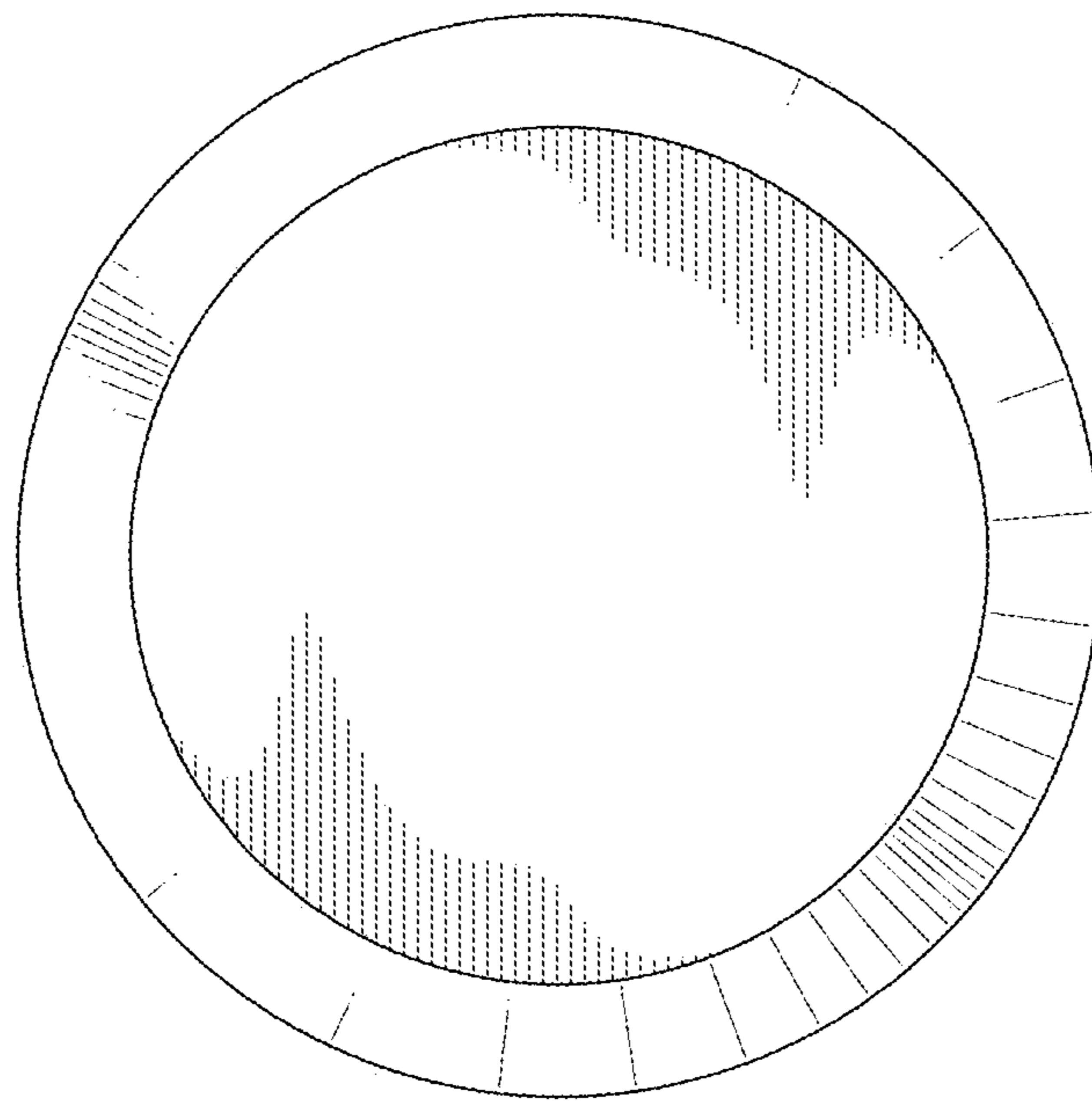


FIG. 3

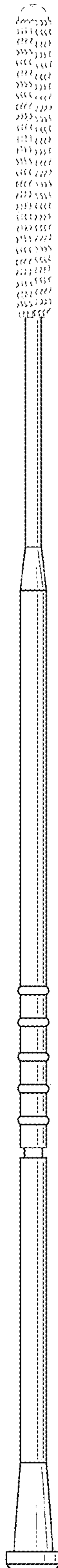


FIG.4

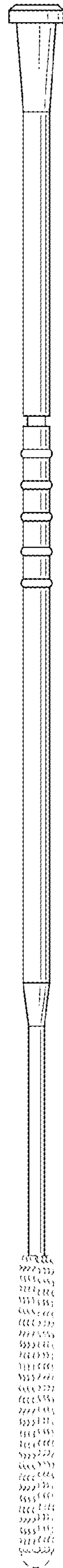


FIG. 5

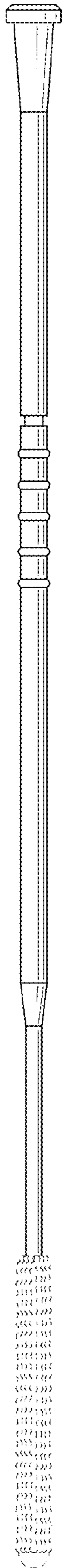


FIG. 6

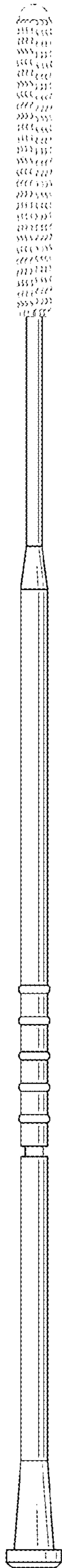


FIG. 7