



US00D96999S

(12) **United States Design Patent** (10) **Patent No.:** **US D969,999 S**
Lykke et al. (45) **Date of Patent:** **** Nov. 15, 2022**

(54) **MEDICAL SYRINGE**

(56) **References Cited**

(71) Applicant: **RADIOMETER MEDICAL APS**,
Brønshøj (DK)
(72) Inventors: **Jacob Lykke**, Brønshøj (DK); **Louise
Wagner Nørgaard**, Brønshøj (DK);
Helene Rasmussen, Brønshøj (DK);
Annika Herlet, Brønshøj (DK)
(73) Assignee: **RADIOMETER MEDICAL APS**,
Brønshøj (DK)
(**) Term: **15 Years**
(21) Appl. No.: **29/718,413**
(22) Filed: **Dec. 24, 2019**

U.S. PATENT DOCUMENTS

D667,950 S	9/2012	Hyun et al.	
D669,679 S	10/2012	Goldstein	
D674,086 S	1/2013	Khalaj	
D747,476 S	1/2016	Kawamura	
D750,768 S	3/2016	Davidian et al.	
D771,807 S	11/2016	Zalewski	
D780,913 S	3/2017	Murasawa et al.	
D792,579 S	7/2017	Ohashi et al.	
D836,772 S	12/2018	Nandi et al.	
D851,757 S	6/2019	Nandi et al.	
D892,313 S *	8/2020	Lin	D24/114
D938,023 S *	12/2021	Hernandez	D24/130
D943,737 S *	2/2022	Hernandez	D24/114
D949,706 S *	4/2022	Kim	D24/114
D952,838 S *	5/2022	Jung	D24/176
D952,839 S *	5/2022	Ho	D24/128

(Continued)

Related U.S. Application Data

(63) Continuation-in-part of application No. 35/505,853,
filed on Sep. 11, 2018 (U.S. filing date under 35
U.S.C. 384), and having an international filing date of
Sep. 11, 2018, now abandoned.

OTHER PUBLICATIONS

U.S. Appl. No. 35/505,853, filed Sep. 11, 2018.

Primary Examiner — Samantha Q Lawrence
(74) *Attorney, Agent, or Firm* — Leydig, Voit & Mayer,
Ltd.

Foreign Application Priority Data

(30) Mar. 14, 2018 (EM) 004755023
(51) **LOC (13) Cl.** **24-02**
(52) **U.S. Cl.**
USPC **D24/114**
(58) **Field of Classification Search**
USPC D24/108, 112, 113, 114, 127, 129, 130,
D24/133, 186
CPC A61M 5/178; A61M 3/00; A61M 5/20;
A61M 5/31; A61M 5/3146; A61M
5/3129; A61M 5/3148; A61M 5/315
See application file for complete search history.

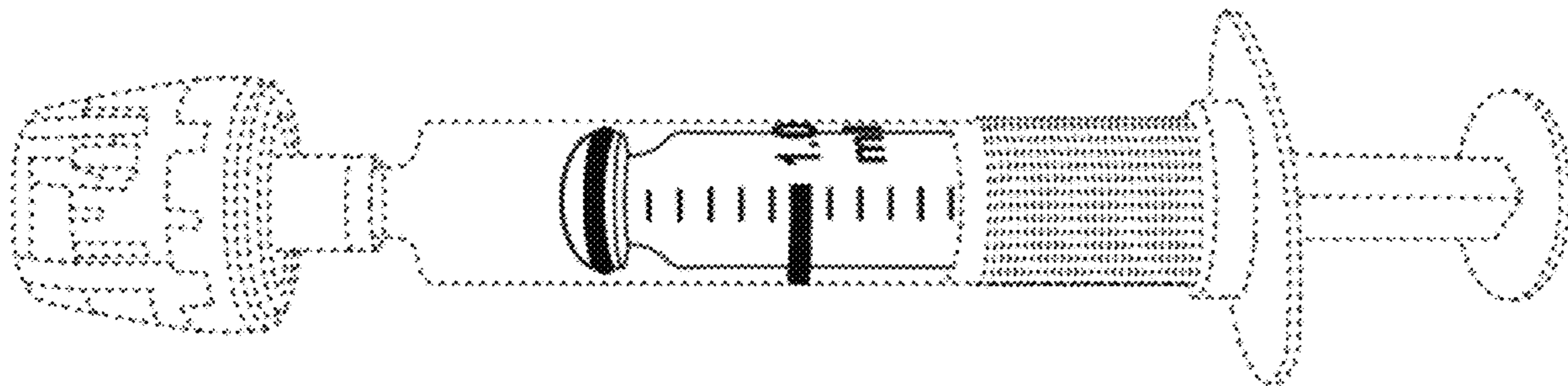
CLAIM

(57) The ornamental design for a medical syringe, as shown and
described.

DESCRIPTION

FIG. 1 is a perspective view of a medical syringe of the
present invention.
FIG. 2 is another perspective view thereof.
FIG. 3 is a left side view thereof.
FIG. 4 is a right side view thereof.
FIG. 5 is another perspective thereof; and,
FIG. 6 is another perspective view thereof.
The broken line showing of the medical syringe is included
for the purpose of illustrating portions of the medical syringe
and forms no part of the claimed design.

1 Claim, 4 Drawing Sheets



(56)

References Cited

U.S. PATENT DOCUMENTS

D953,089 S * 5/2022 Scheinert D24/114
D953,885 S * 6/2022 Kim D24/114
D954,258 S * 6/2022 Hang D24/112
D954,942 S * 6/2022 Lee D24/114
D957,625 S * 7/2022 Reynolds D24/114
2014/0276581 A1 9/2014 Lou et al.
2020/0397360 A1* 12/2020 Lykke A61B 5/153

* cited by examiner

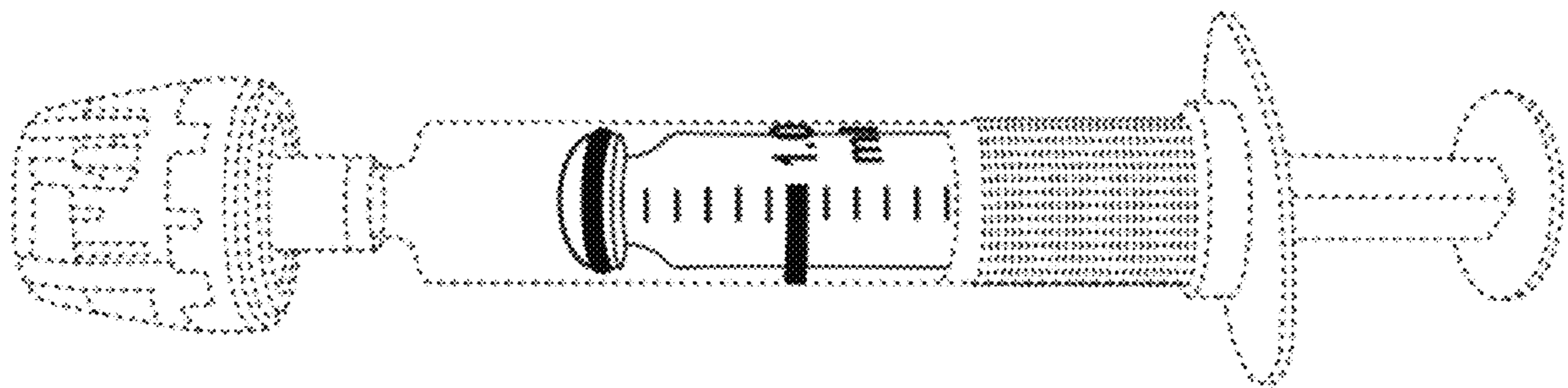


Figure 1

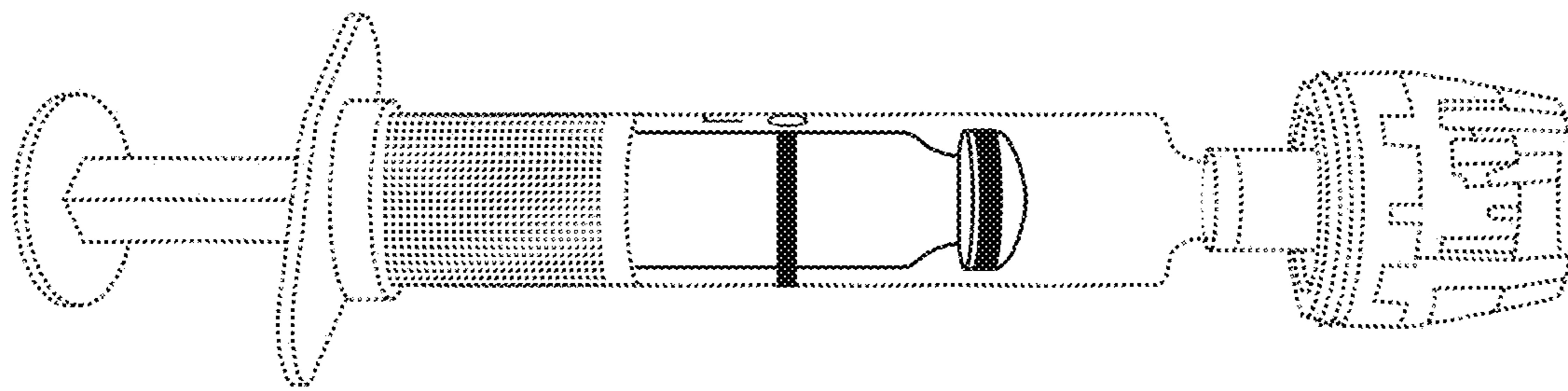


Figure 2

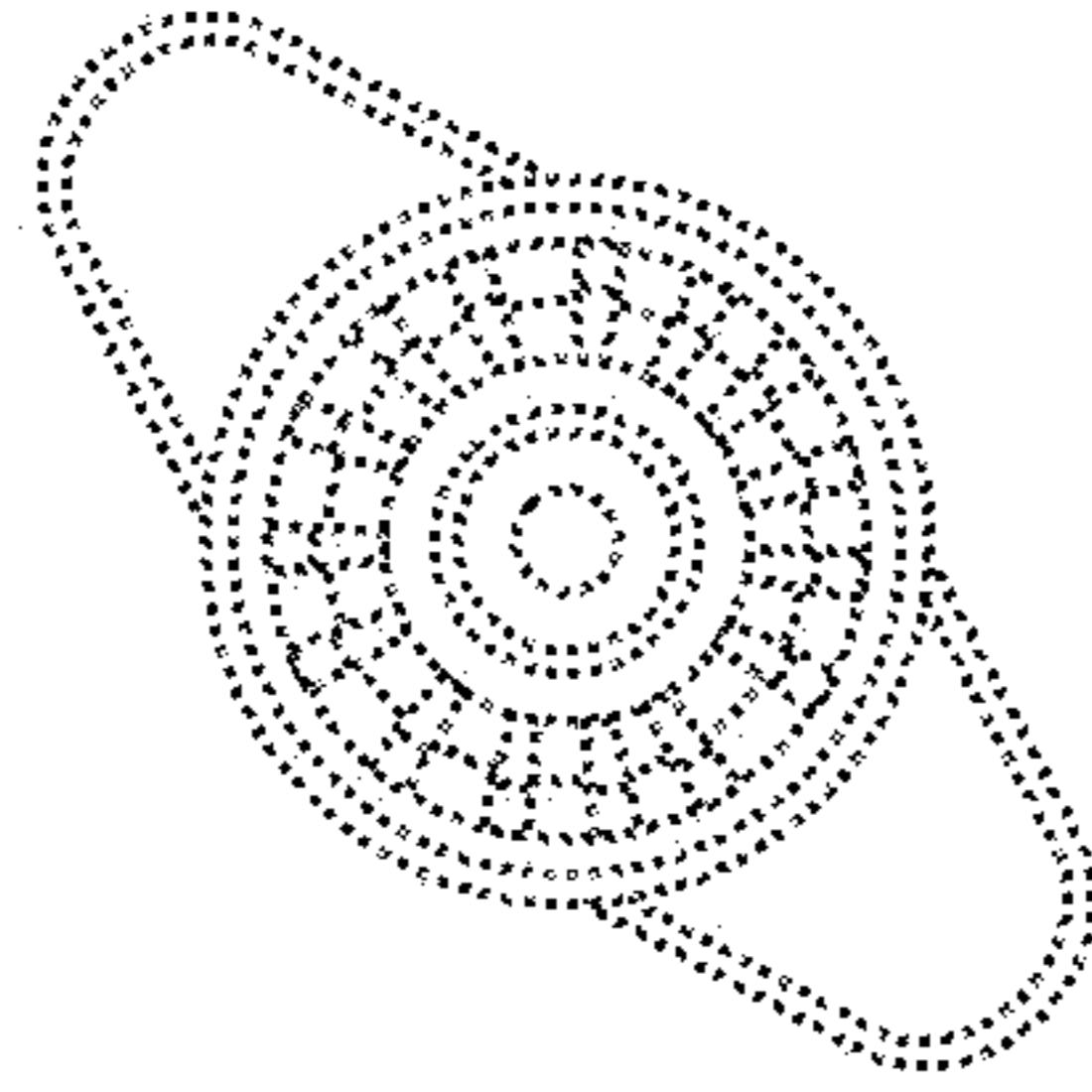


Figure 3

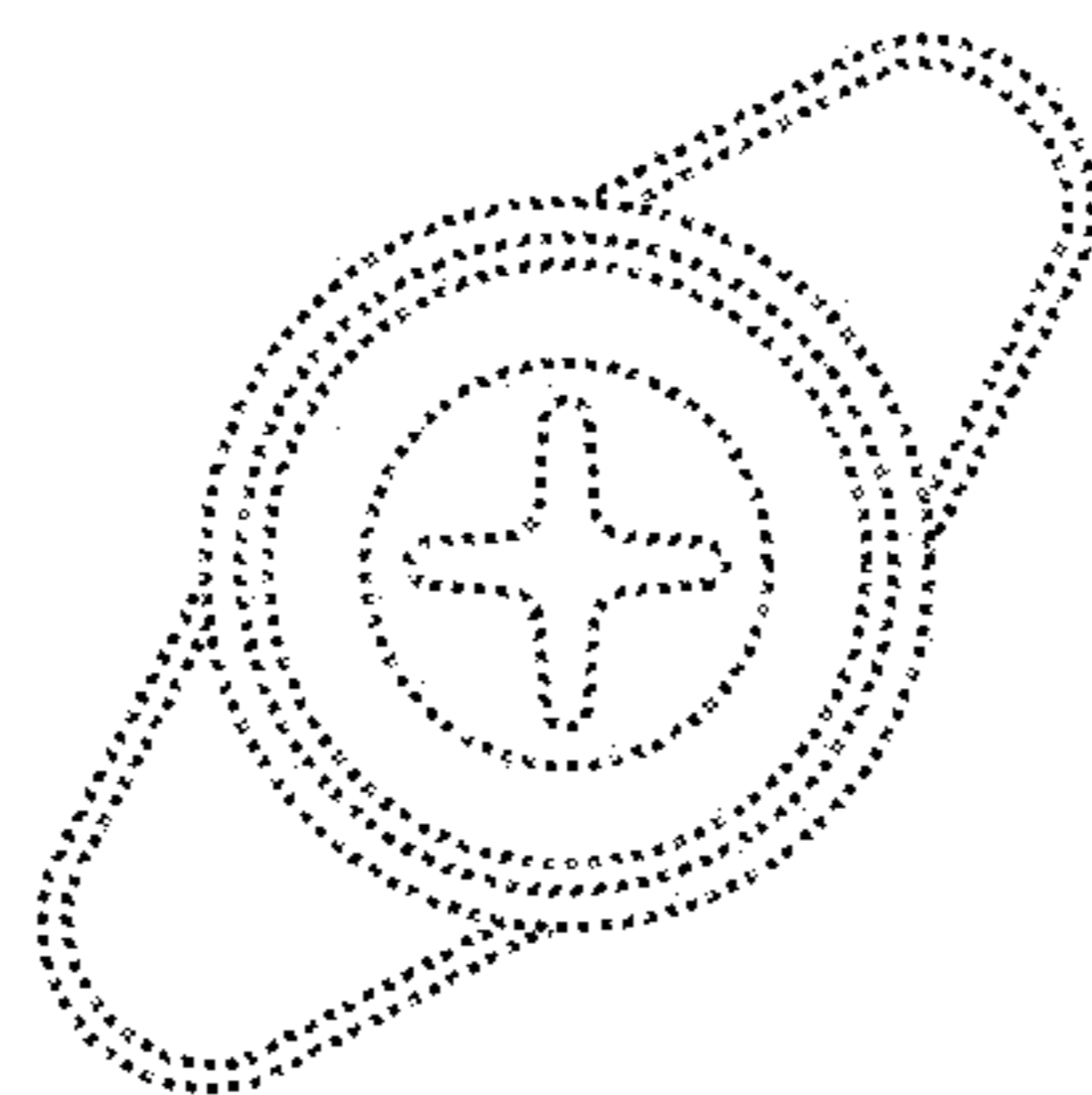


Figure 4

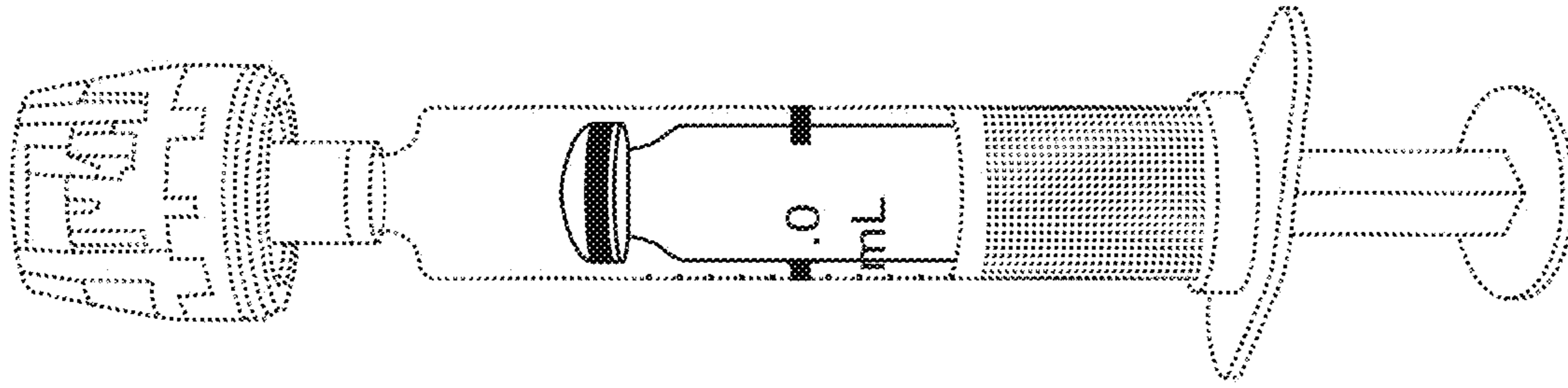


Figure 5

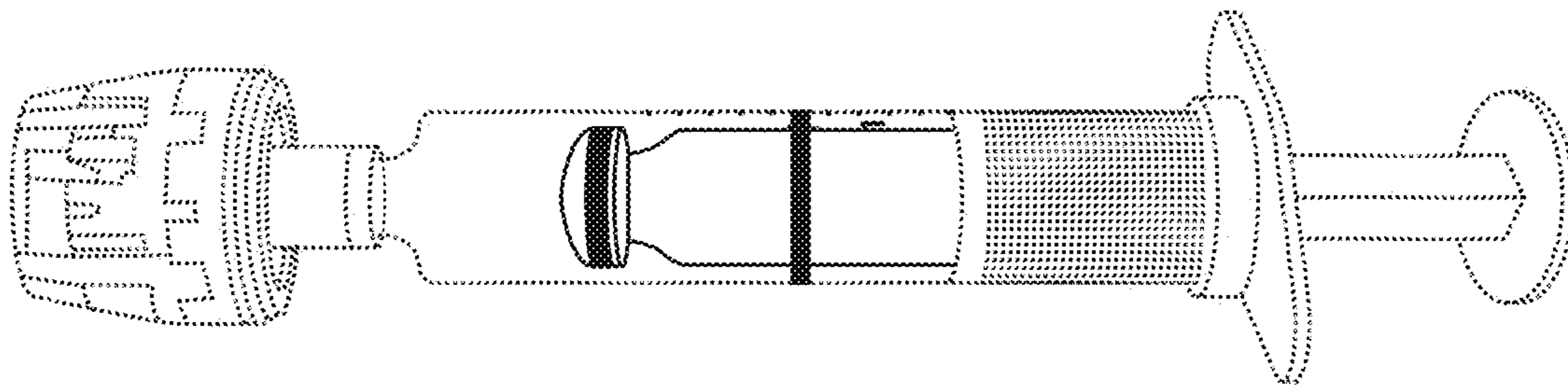


Figure 6