



US00D96998S

(12) **United States Design Patent** (10) **Patent No.:** **US D969,998 S**
Wildenhahn (45) **Date of Patent:** **** Nov. 15, 2022**

(54) **AUTO INJECTOR**
(71) Applicant: **F. Hoffmann-La Roche AG**, Basel (CH)
(72) Inventor: **Florian Wildenhahn**, Rheinfelden (DE)
(**) Term: **15 Years**
(21) Appl. No.: **29/699,284**
(22) Filed: **Jul. 24, 2019**

D619,244 S * 7/2010 Van der Stappen D24/113
D620,106 S * 7/2010 Van der Stappen D24/113
D621,929 S * 8/2010 Van der Stappen D24/130
D627,061 S * 11/2010 Van der Stappen D24/113
D648,024 S * 11/2011 Harkin D24/146
D696,774 S * 12/2013 Guarraia D24/113
D696,775 S * 12/2013 Guarraia D24/113
D708,317 S * 7/2014 Schneider D24/113
D758,567 S * 6/2016 Wohlfahrt D24/113
D758,569 S * 6/2016 Wohlfahrt D24/113
D794,178 S * 8/2017 Daniel A61M 5/2033
D24/113
D903,109 S * 11/2020 Wildenhahn D24/113
2020/0276390 A1 * 9/2020 Song A61M 5/31571

* cited by examiner

Related U.S. Application Data

(62) Division of application No. 35/505,321, filed on Oct. 5, 2017 (U.S. filing date under 35 U.S.C. 384), and having an international filing date of Oct. 5, 2017, now Pat. No. Des. 903,109.

Primary Examiner — Eliza Z Harvey
(74) *Attorney, Agent, or Firm* — IP Attorneys Group, LLC

(30) **Foreign Application Priority Data**

Apr. 6, 2017 (CH) 143195

(51) **LOC (13) Cl.** **24-02**

(52) **U.S. Cl.**
USPC **D24/113**

(58) **Field of Classification Search**
USPC D24/133, 137, 138, 127, 112, 108, 144, D24/146, 147
CPC A61M 5/20
See application file for complete search history.

(57) **CLAIM**

The ornamental design for an auto injector, as shown and described.

DESCRIPTION

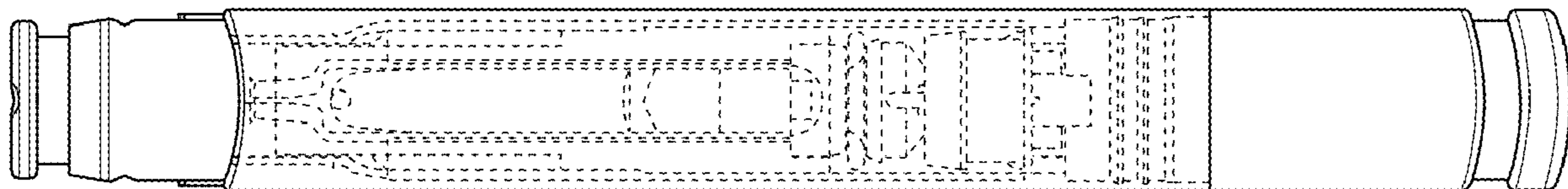
FIG. 1 is a front view of an auto injector in accordance with my new design;
FIG. 2 is another front view thereof;
FIG. 3 is a bottom view thereof;
FIG. 4 is a rear view thereof;
FIG. 5 is a top view thereof;
FIG. 6 is a bottom perspective view thereof; and,
FIG. 7 is a top perspective view thereof.
The dashed lines show the medication and mechanism for injection of the medication seen through the transparent or translucent main body and form no part of the claim.

(56) **References Cited**

U.S. PATENT DOCUMENTS

D492,405 S * 6/2004 Bainton D19/167
D612,486 S * 3/2010 Van der Stappen D24/113

1 Claim, 7 Drawing Sheets



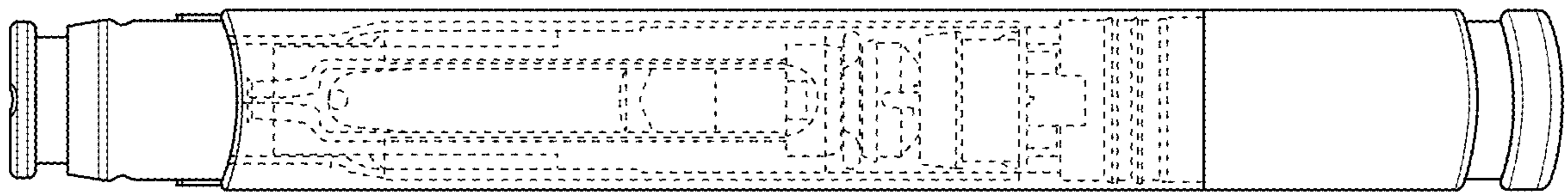


FIG. 1

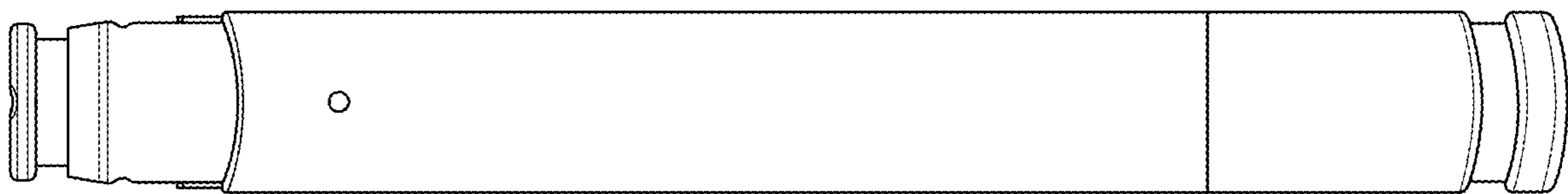


FIG. 2

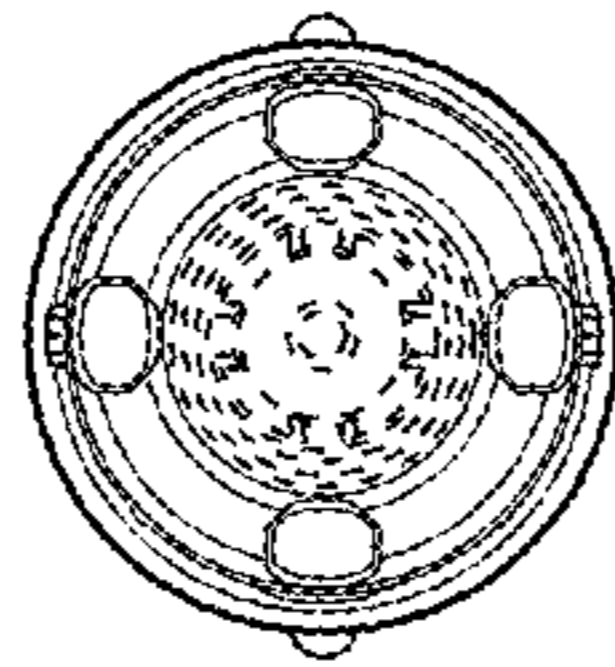


FIG. 3

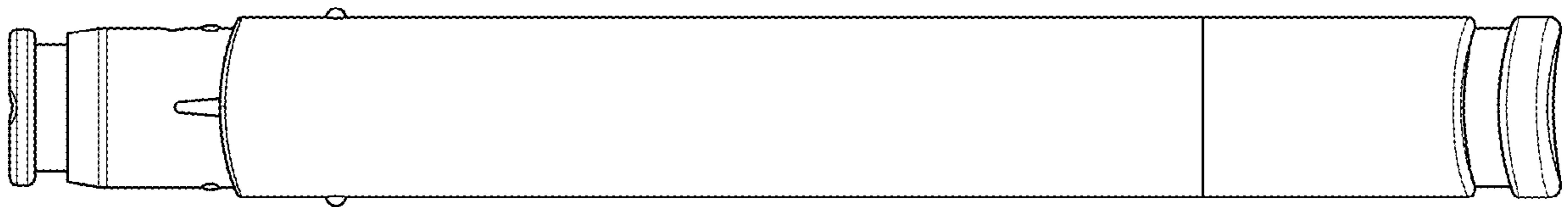


FIG. 4

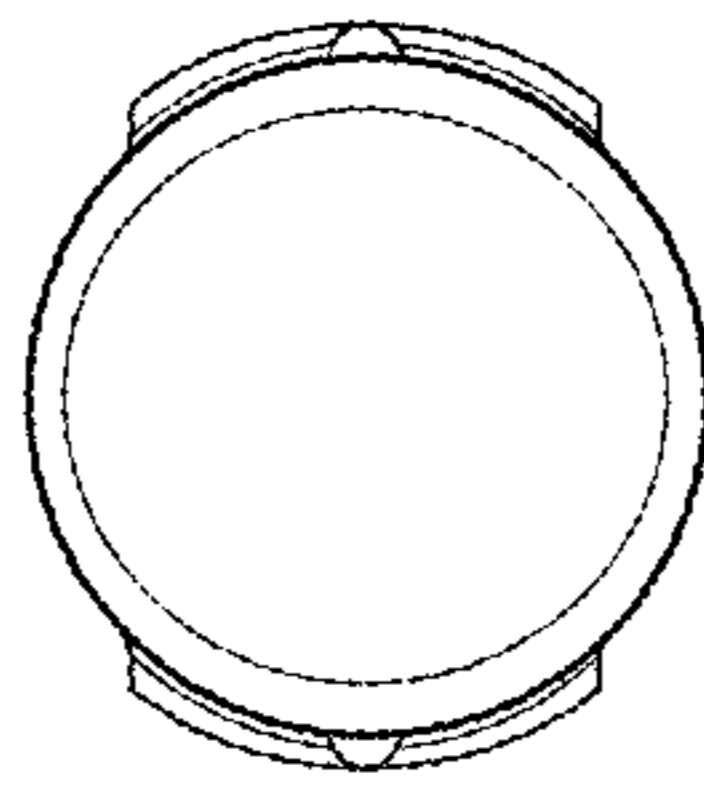


FIG. 5

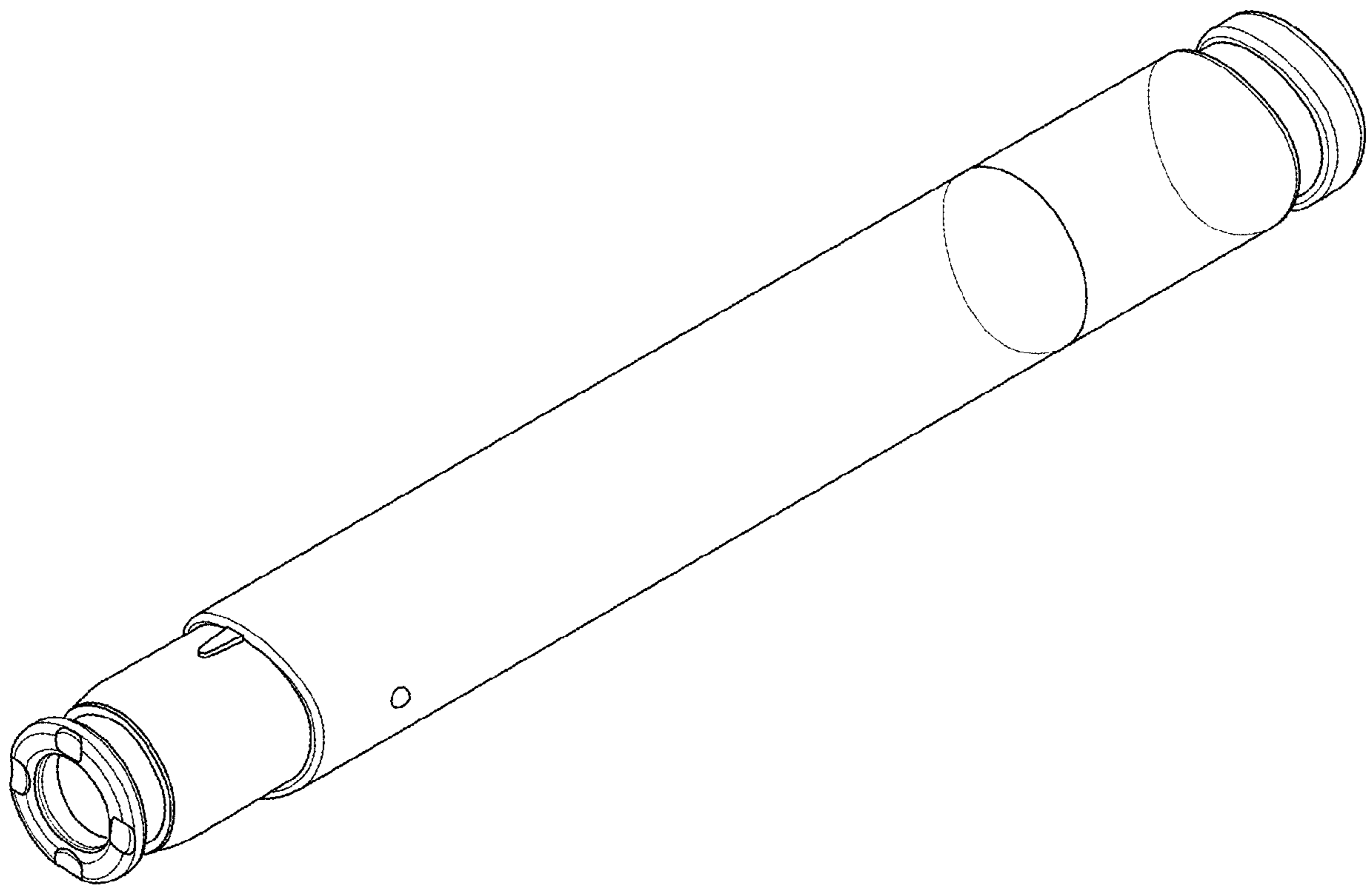


FIG. 6

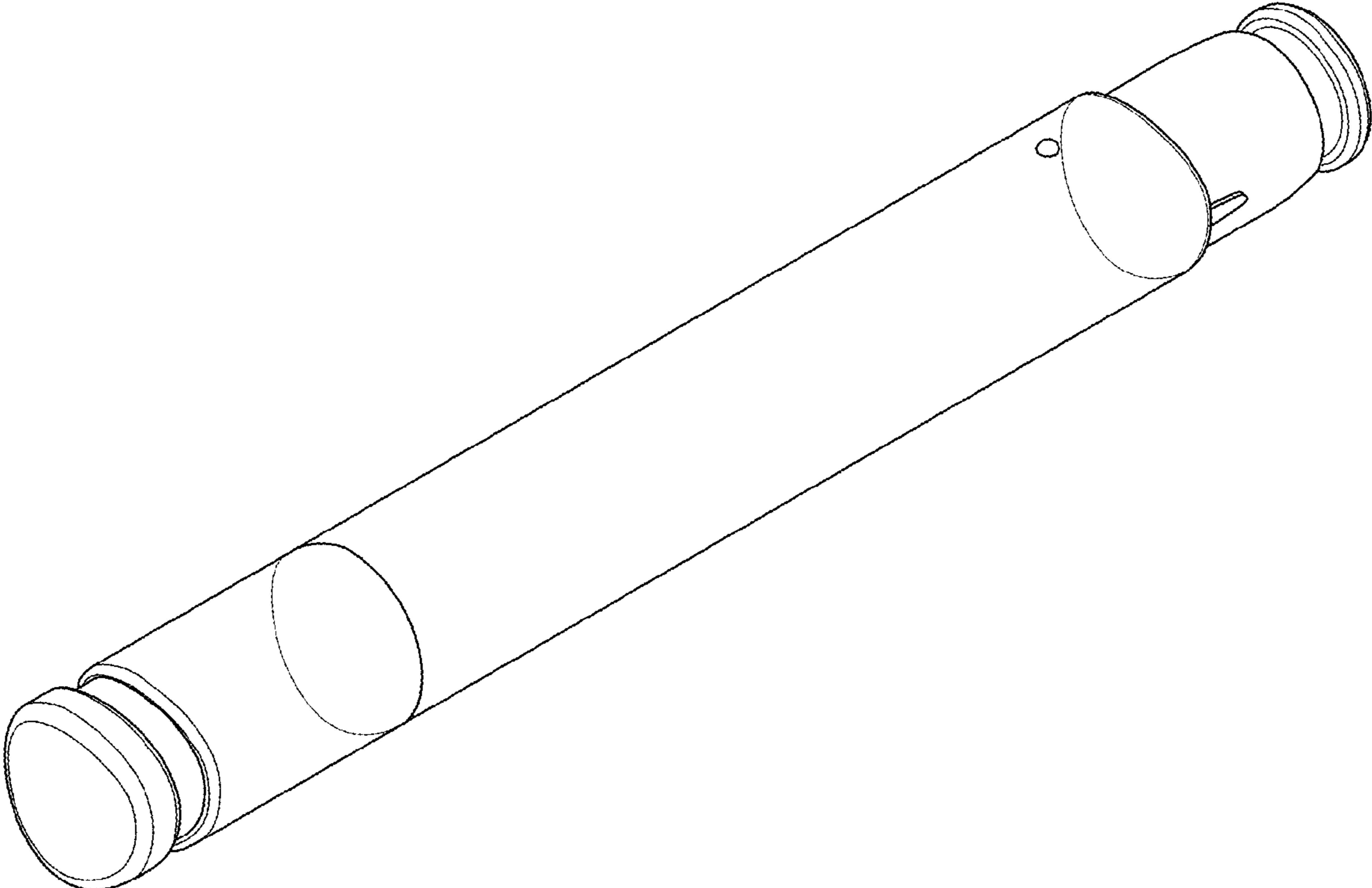


FIG. 7