



US00D96993S

(12) **United States Design Patent** (10) **Patent No.:** **US D969,993 S**
Gordon et al. (45) **Date of Patent:** **** Nov. 15, 2022**

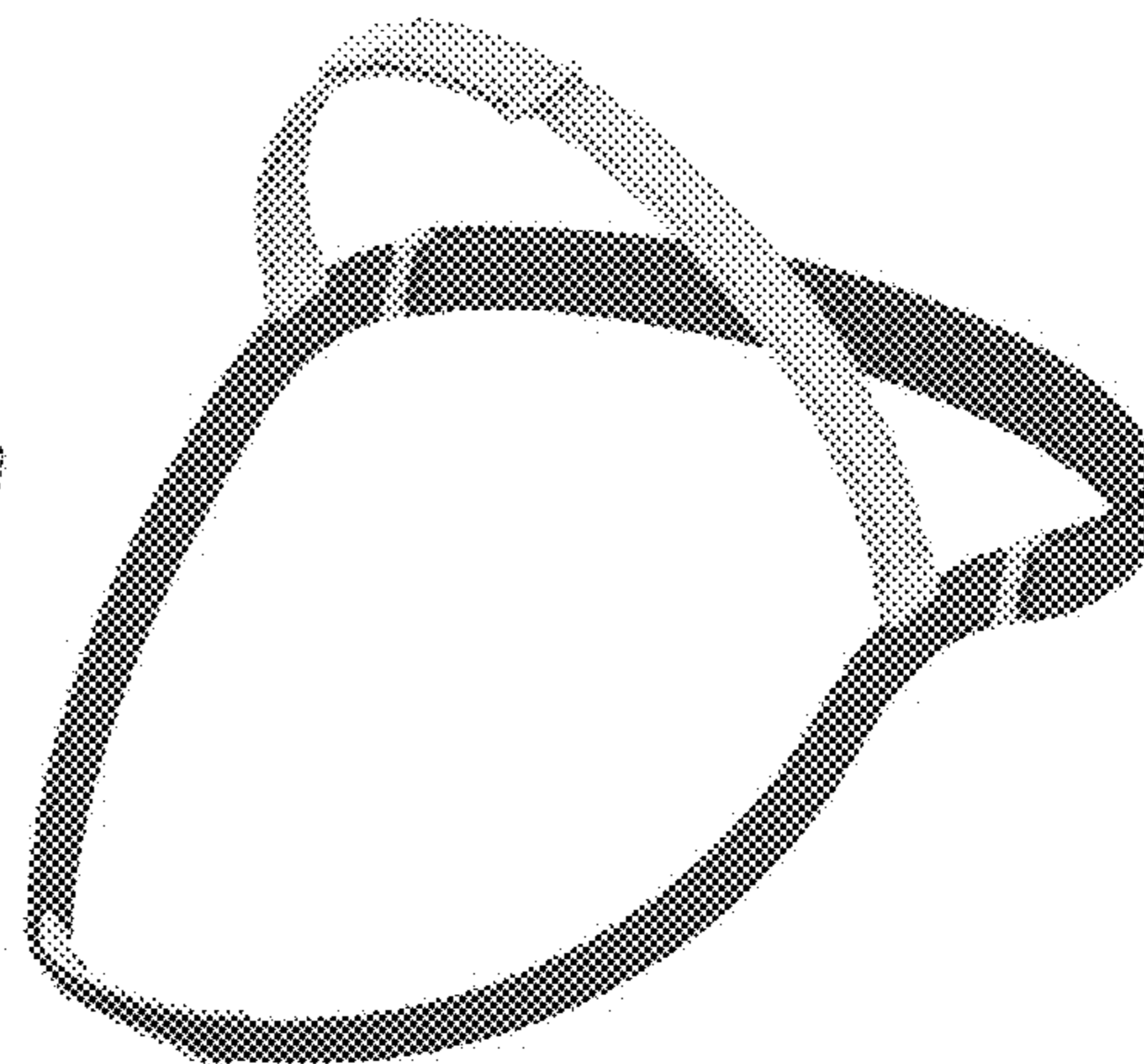
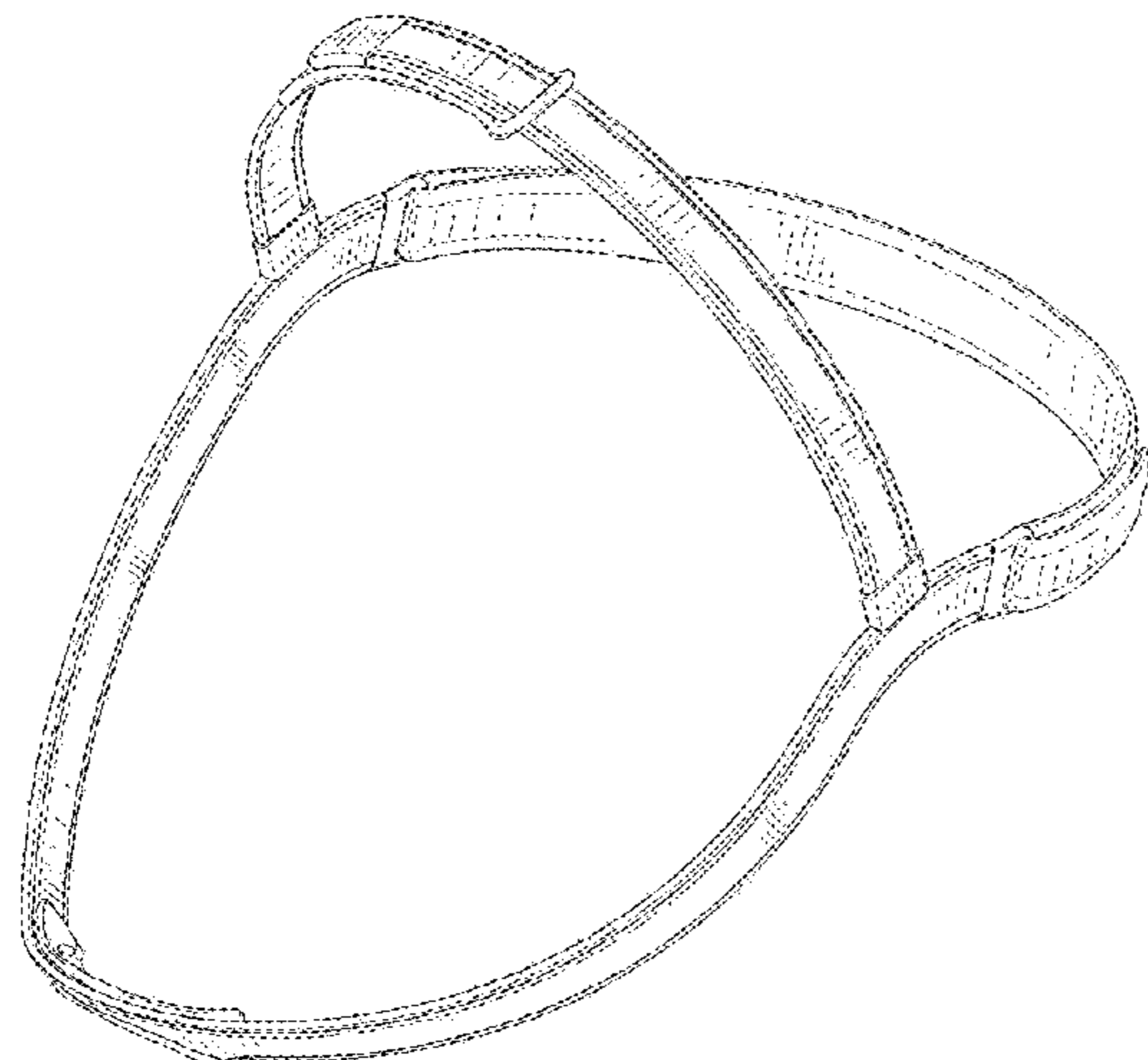
- (54) **HEADGEAR FOR A NASAL MASK**
- (71) Applicant: **Fisher & Paykel Healthcare Limited**,
Auckland (NZ)
- (72) Inventors: **Callum Ross Gordon**, Auckland (NZ);
Ryan Anthony Graham, Auckland
(NZ); **Bruno Sintive**, Auckland (NZ);
Mark Andrew Thompson, Auckland
(NZ); **Amit Galgali**, Auckland (NZ);
Vicky Dan Gao, Auckland (NZ);
Cameron Robert Willis, Auckland
(NZ); **Jake Baker Hocking**, Auckland
(NZ); **Priyanka Ferdinand Pereira**,
Auckland (NZ)
- (73) Assignee: **Fisher & Paykel Healthcare Limited**,
Auckland (NZ)
- (**) Term: **15 Years**
- (21) Appl. No.: **29/719,100**
- (22) Filed: **Dec. 31, 2019**

Related U.S. Application Data

- (62) Division of application No. 29/618,346, filed on Sep.
20, 2017, now Pat. No. Des. 875,242.
- (51) **LOC (13) Cl.** **24-02**
- (52) **U.S. Cl.**
USPC **D24/110.4; D24/110.1**
- (58) **Field of Classification Search**
USPC **D24/110, 110.1–110.4, 110.6, 127;**
D29/108, 122
CPC **A61M 16/06; A61M 16/0605; A61M**
16/0616; A61M 16/0622; A61M 16/0633;
A61M 16/0644; A61M 16/0666; A61M
16/0672; A61M 16/0683; A61M 16/08;
A61M 16/0816
See application file for complete search history.

(56) **References Cited**
U.S. PATENT DOCUMENTS

| | | |
|--------------|---------|----------------------|
| 1,610,793 A | 12/1926 | Leo |
| 2,353,643 A | 7/1944 | Bulbulian |
| 2,452,722 A | 11/1948 | Boothby et al. |
| 2,620,794 A | 12/1952 | George |
| 2,970,593 A | 2/1961 | Seeler |
| 3,040,741 A | 6/1962 | Carolan |
| 3,042,035 A | 7/1962 | George |
| 3,065,747 A | 11/1962 | Charles |
| 3,079,917 A | 3/1963 | Godfrey |
| 3,295,529 A | 1/1967 | Stephen et al. |
| 3,530,031 A | 9/1970 | Loew |
| 3,792,702 A | 2/1974 | Delest |
| 3,815,596 A | 6/1974 | Keener et al. |
| 3,824,999 A | 7/1974 | King |
| 3,850,168 A | 11/1974 | Ferguson et al. |
| 3,850,171 A | 11/1974 | Ball et al. |
| 4,033,353 A | 7/1977 | La Rosa |
| 4,454,880 A | 6/1984 | Muto et al. |
| 4,480,639 A | 11/1984 | Peterson et al. |
| 4,513,896 A | 4/1985 | Hirsch |
| 4,753,233 A | 6/1988 | Grimes |
| 4,915,105 A | 4/1990 | Lee |
| 4,947,488 A | 8/1990 | Ashinoff |
| 4,960,121 A | 10/1990 | Nelson et al. |
| 5,237,986 A | 8/1993 | Seppala et al. |
| 5,243,971 A | 9/1993 | Sullivan |
| 5,485,837 A | 1/1996 | Solesbee et al. |
| 5,560,354 A | 10/1996 | Berthon-Jones et al. |
| 5,657,752 A | 8/1997 | Landis et al. |
| 5,676,133 A | 10/1997 | Hickle et al. |
| 5,724,965 A | 3/1998 | Handke et al. |
| 5,832,918 A | 11/1998 | Pantino |
| 5,921,239 A | 7/1999 | McCall et al. |
| 6,019,101 A | 2/2000 | Cotner et al. |
| 6,119,694 A | 9/2000 | Correa et al. |
| D439,326 S | 3/2001 | Hecker et al. |
| 6,338,342 B1 | 1/2002 | Fecteau et al. |
| 6,386,198 B1 | 5/2002 | Rugless |
| 6,418,929 B1 | 7/2002 | Norfleet |
| 6,431,172 B1 | 8/2002 | Bordewick |
| 6,467,483 B1 | 10/2002 | Kopacko et al. |
| 6,470,886 B1 | 10/2002 | Jestrabek-Hart |
| 6,497,232 B2 | 12/2002 | Fecteau et al. |
| 6,561,190 B1 | 5/2003 | Kwok |
| 6,581,594 B1 | 6/2003 | Drew et al. |
| 6,584,977 B1 | 7/2003 | Serowski |
| 6,591,837 B1 | 7/2003 | Byram |
| 6,729,333 B2 | 5/2004 | Barnett et al. |
| 6,892,729 B2 | 5/2005 | Smith et al. |



US D969,993 S

| | | | | | | |
|---------------|---------|----------------------|-------------------|---------|------------------------|--------------------------|
| 6,928,657 B2 | 8/2005 | Bell et al. | D849,930 S * | 5/2019 | Walls | D24/110.1 |
| 6,951,218 B2 | 10/2005 | Gradon et al. | D867,577 S * | 11/2019 | Walls | D24/110.4 |
| 7,077,139 B2 | 7/2006 | Amante et al. | D874,646 S * | 2/2020 | Gordon | D24/110.4 |
| 7,255,106 B2 | 8/2007 | Gallem et al. | D875,242 S * | 2/2020 | Gordon | D24/110.4 |
| 7,353,827 B2 | 4/2008 | Geist | D879,287 S * | 3/2020 | Walls | D24/110.4 |
| 7,448,386 B2 | 11/2008 | Ho et al. | D901,003 S * | 11/2020 | Gardiola | D24/110.4 |
| 7,461,656 B2 | 12/2008 | Gunaratnam et al. | D938,577 S * | 12/2021 | Blanch | D24/110.4 |
| D586,907 S | 2/2009 | Judson et al. | 2003/0196655 A1 | 10/2003 | Ging et al. | |
| 7,493,902 B2 | 2/2009 | White et al. | 2004/0211427 A1 | 10/2004 | Jones et al. | |
| 7,556,043 B2 | 7/2009 | Ho et al. | 2004/0226566 A1 | 11/2004 | Gunaratnam et al. | |
| 7,658,189 B2 | 2/2010 | Davidson et al. | 2005/0051171 A1 | 3/2005 | Booth | |
| 7,703,457 B2 | 4/2010 | Barnett et al. | 2005/0076912 A1 | 4/2005 | Eifler et al. | |
| 7,743,767 B2 | 6/2010 | Ging et al. | 2006/0042629 A1 | 3/2006 | Geist | |
| 7,753,051 B2 | 7/2010 | Burrow et al. | 2006/0169286 A1 | 8/2006 | Eifler et al. | |
| D623,288 S | 9/2010 | Lubke et al. | 2007/0062536 A1 | 3/2007 | McAuley et al. | |
| 7,845,352 B2 | 12/2010 | Sleeper et al. | 2007/0095350 A1 | 5/2007 | Darkin et al. | |
| 7,856,982 B2 | 12/2010 | Matula, Jr. et al. | 2007/0175479 A1 | 8/2007 | Groll | |
| 7,874,291 B2 | 1/2011 | Ging et al. | 2007/0175480 A1 | 8/2007 | Gradon et al. | |
| 7,874,293 B2 | 1/2011 | Gunaratnam et al. | 2008/0047560 A1 | 2/2008 | Veliss et al. | |
| 7,896,003 B2 | 3/2011 | Matula et al. | 2008/0092904 A1 | 4/2008 | Gunaratnam et al. | |
| 7,931,023 B2 | 4/2011 | Berthon-Jones et al. | 2008/0092906 A1 | 4/2008 | Gunaratnam et al. | |
| 7,975,694 B2 | 7/2011 | Ho | 2008/0190432 A1 | 8/2008 | Blochlinger et al. | |
| 7,997,267 B2 | 8/2011 | Ging et al. | 2008/0196727 A1 | 8/2008 | Ho et al. | |
| 8,042,546 B2 | 10/2011 | Gunaratnam et al. | 2008/0210241 A1 | 9/2008 | Schulz et al. | |
| 8,061,355 B2 | 11/2011 | Jaffre et al. | 2009/0044808 A1 | 2/2009 | Guney et al. | |
| D651,303 S * | 12/2011 | Gunaratnam | 2009/0078264 A1 | 3/2009 | Martin et al. | D24/110 |
| 8,100,126 B2 | 1/2012 | McAuley et al. | 2009/0151729 A1 | 6/2009 | Judson et al. | |
| D653,748 S * | 2/2012 | Henry | 2009/0151733 A1 | 6/2009 | Welchel et al. | D24/110.5 |
| 8,118,027 B2 | 2/2012 | Matula, Jr. et al. | 2009/0199856 A1 | 8/2009 | Berlin | |
| D656,231 S | 3/2012 | Henry et al. | 2009/0223519 A1 | 9/2009 | Eifler et al. | |
| 8,127,764 B2 | 3/2012 | Ho et al. | 2010/0000544 A1 | 1/2010 | Blaszczykiewicz et al. | |
| 8,127,765 B2 | 3/2012 | Ho et al. | 2010/0006101 A1 | 1/2010 | McAuley et al. | |
| 8,132,270 B2 | 3/2012 | Lang et al. | 2010/0132717 A1 | 6/2010 | Davidson et al. | |
| 8,161,971 B2 | 4/2012 | Jaffe et al. | 2010/0192955 A1 | 8/2010 | Biener et al. | |
| D659,237 S | 5/2012 | Lubke et al. | 2010/0192957 A1 | 8/2010 | Hobson et al. | |
| 8,186,352 B2 | 5/2012 | Gunaratnam et al. | 2010/0229868 A1 | 9/2010 | Rummery et al. | |
| D664,250 S | 7/2012 | Scheiner et al. | 2010/0313891 A1 | 12/2010 | Veliss et al. | |
| 8,291,906 B2 | 10/2012 | Kooij et al. | 2010/0319700 A1 | 12/2010 | Ng et al. | |
| 8,297,285 B2 | 10/2012 | Henry et al. | 2011/0067704 A1 | 3/2011 | Kooij et al. | |
| 8,371,302 B2 | 2/2013 | Ging et al. | 2011/0126841 A1 | 6/2011 | Matula, Jr. et al. | |
| 8,397,728 B2 | 3/2013 | D'Souza et al. | 2011/0146685 A1 | 6/2011 | Allan et al. | |
| 8,505,535 B2 | 8/2013 | Jones et al. | 2011/0232649 A1 | 9/2011 | Collazo et al. | |
| D691,712 S | 10/2013 | Judson et al. | 2011/0240030 A1 | 10/2011 | Ho et al. | |
| D692,554 S | 10/2013 | Siew et al. | 2011/0247627 A1 | 10/2011 | Omura et al. | |
| 8,550,084 B2 | 10/2013 | Ng et al. | 2011/0265796 A1 | 11/2011 | Amarasinghe et al. | |
| 8,573,201 B2 | 11/2013 | Rummery et al. | 2011/0308526 A1 | 12/2011 | Ho et al. | |
| 8,573,212 B2 | 11/2013 | Lynch et al. | 2011/0315141 A1 | 12/2011 | Lavi et al. | |
| 8,636,007 B2 | 1/2014 | Rummery et al. | 2012/0037161 A1 | 2/2012 | Ging et al. | |
| D704,329 S | 5/2014 | Collazo et al. | 2012/0067349 A1 | 3/2012 | Barlow et al. | |
| D708,736 S | 7/2014 | Judson et al. | 2012/0090622 A1 | 4/2012 | Chang | |
| D709,181 S * | 7/2014 | Henry | 2012/0132209 A1 | 5/2012 | Rummery et al. | D24/110.5 |
| 8,950,404 B2 | 2/2015 | Formica et al. | 2012/0138060 A1 | 6/2012 | Barlow | |
| 9,032,955 B2 | 5/2015 | Lubke et al. | 2012/0152255 A1 | 6/2012 | Barlow et al. | |
| 9,044,564 B2 | 6/2015 | Dravitzki et al. | 2012/0216812 A1 | 8/2012 | Pastoor et al. | |
| 9,095,673 B2 | 8/2015 | Barlow et al. | 2012/0222680 A1 | 9/2012 | Eves et al. | |
| D737,953 S | 9/2015 | Wells et al. | 2012/0304999 A1 | 12/2012 | Swift et al. | |
| D740,935 S | 10/2015 | Cullen et al. | 2012/0318270 A1 | 12/2012 | McAuley et al. | |
| 9,149,594 B2 | 10/2015 | Kooij et al. | 2013/0000648 A1 | 1/2013 | Madaus et al. | |
| D743,535 S | 11/2015 | Wells et al. | 2013/0037030 A1 | 2/2013 | Matula, Jr. | |
| D749,205 S * | 2/2016 | Chen | 2013/0042871 A1 * | 2/2013 | Chang | A61M 16/06 128/205.25 |
| D751,687 S | 3/2016 | Daly | | | | |
| D757,252 S | 5/2016 | Von Moger et al. | 2013/0139822 A1 | 6/2013 | Gibson et al. | |
| D764,049 S | 8/2016 | Cullen et al. | 2013/0152937 A1 | 6/2013 | Jablonski | |
| D770,036 S | 10/2016 | Walls et al. | 2013/0220327 A1 | 8/2013 | Barlow et al. | |
| D771,238 S | 11/2016 | Scheiner et al. | 2013/0319422 A1 | 12/2013 | Ho et al. | |
| 9,517,320 B2 | 12/2016 | Barlow et al. | 2014/0000614 A1 | 1/2014 | Chang | |
| 9,539,403 B2 | 1/2017 | Eves et al. | 2014/0026890 A1 | 1/2014 | Haskard et al. | |
| D787,661 S | 5/2017 | Edwards | 2014/0053844 A1 | 2/2014 | Rummery et al. | |
| D787,662 S | 5/2017 | Guney et al. | 2014/0060544 A1 | 3/2014 | Matula, Jr. et al. | |
| D794,772 S | 8/2017 | Cullen et al. | 2014/0073847 A1 | 3/2014 | Mujwid et al. | |
| D797,921 S | 9/2017 | Huang et al. | 2014/0150798 A1 | 6/2014 | Fong et al. | |
| D798,439 S | 9/2017 | Siew et al. | 2014/0166018 A1 | 6/2014 | Dravitzki et al. | |
| D805,630 S | 12/2017 | Formica et al. | 2014/0174448 A1 | 6/2014 | Dravitzki et al. | |
| D808,516 S | 1/2018 | Edwards et al. | 2014/0190486 A1 | 7/2014 | Dunn et al. | |
| D815,728 S | 4/2018 | Walls et al. | 2014/0209098 A1 | 7/2014 | Dunn et al. | |
| 10,039,894 B2 | 8/2018 | Walls et al. | 2014/0238402 A1 | 8/2014 | Austin et al. | |
| 10,080,856 B2 | 9/2018 | McLaren et al. | 2014/0283843 A1 | 9/2014 | Eves et al. | |
| D837,971 S | 1/2019 | Prentice et al. | 2015/0090268 A1 | 4/2015 | Madaus et al. | |
| D841,147 S | 2/2019 | McCool et al. | 2015/0128953 A1 | 5/2015 | Formica et al. | |

| | | | | |
|--------------|-----|---------|------------------|---------------------------|
| 2015/0151071 | A1 | 6/2015 | Moger et al. | |
| 2015/0174355 | A1 | 6/2015 | Willard et al. | |
| 2015/0290415 | A1 | 10/2015 | Dunn | |
| 2015/0352307 | A1 | 12/2015 | Rutan | |
| 2016/0074611 | A1* | 3/2016 | Higgins | A61M 16/06 128/206.24 |
| 2016/0074614 | A1* | 3/2016 | Huddart | A61M 16/208 128/204.18 |
| 2016/0151596 | A1 | 6/2016 | Slight et al. | |
| 2016/0287830 | A1 | 10/2016 | Walls et al. | |
| 2017/0000964 | A1 | 1/2017 | Shafer | |
| 2017/0049984 | A1* | 2/2017 | Biener | A61M 16/0666 |
| 2017/0326320 | A1* | 11/2017 | Baigent | A61M 16/0683 |
| 2017/0368285 | A1 | 12/2017 | Wood | |
| 2018/0001044 | A1 | 1/2018 | Stephens et al. | |
| 2018/0207385 | A1 | 7/2018 | Freestone et al. | |
| 2018/0256844 | A1 | 9/2018 | Galgali et al. | |
| 2018/0272094 | A1 | 9/2018 | Eves et al. | |
| 2018/0289912 | A1 | 10/2018 | McAuley et al. | |
| 2018/0304036 | A1 | 10/2018 | Huang et al. | |
| 2019/0022343 | A1* | 1/2019 | Kooij | A61M 16/0622 |
| 2019/0030272 | A1 | 1/2019 | Graham et al. | |
| 2019/0151592 | A1* | 5/2019 | Bornholdt | A61M 16/0666 |
| 2019/0217039 | A1* | 7/2019 | Hocking | A61M 16/0616 |
| 2020/0061398 | A1* | 2/2020 | Rummery | A61M 16/0611 |
| 2020/0230343 | A1* | 7/2020 | Sims | A61M 16/0825 |
| 2020/0282169 | A1* | 9/2020 | Pereira | A61M 16/06 |
| 2021/0008316 | A1* | 1/2021 | McLaren | A61M 16/0622 |

FOREIGN PATENT DOCUMENTS

| | | |
|----|----------------|---------|
| AU | 2005/100738 | 11/2005 |
| EP | 1057494 | 12/2000 |
| EP | 1488820 | 12/2004 |
| EP | 1163923 | 12/2011 |
| EP | 2444113 | 4/2012 |
| EP | 2481435 | 8/2012 |
| GB | 377926 | 8/1932 |
| GB | 823887 | 11/1959 |
| GB | 826198 | 12/1959 |
| GB | 880942 | 10/1961 |
| GB | 974960 | 11/1964 |
| GB | 1049604 | 11/1966 |
| GB | 2367757 | 4/2002 |
| WO | WO 1993/021788 | 11/1993 |
| WO | WO 1997/000092 | 1/1997 |
| WO | WO 1997/048432 | 12/1997 |
| WO | WO 2002/11804 | 2/2002 |
| WO | WO2004/073778 | 9/2004 |
| WO | WO 2005/094928 | 10/2005 |
| WO | WO 2008/007985 | 1/2008 |
| WO | WO 2009/026627 | 3/2009 |
| WO | WO 2009/052560 | 4/2009 |
| WO | WO 2009/144695 | 12/2009 |
| WO | WO 2010/131189 | 11/2010 |
| WO | WO 2011/062510 | 5/2011 |
| WO | WO 2011/142678 | 11/2011 |
| WO | WO 2012/028995 | 3/2012 |
| WO | WO 2012/045127 | 4/2012 |
| WO | WO 2012/052902 | 4/2012 |
| WO | WO 2012/055886 | 5/2012 |
| WO | WO 2013/006065 | 1/2013 |
| WO | WO 2013/071359 | 5/2013 |
| WO | WO 2013/170290 | 11/2013 |
| WO | WO 2014/015382 | 1/2014 |
| WO | WO 2014/015383 | 1/2014 |
| WO | WO 2014/110626 | 7/2014 |
| WO | WO 2014110622 | 7/2014 |
| WO | WO 2014/124323 | 8/2014 |
| WO | WO 2015/070289 | 5/2015 |

OTHER PUBLICATIONS

F&P Evora Nasal Mask Use and Care Guide. Copyright date: Feb. 2020. Retrieval date: Feb. 7, 2022. Retrieved from internet: https://

resources.fphcare.com/content/ui-615865-evora-nasal-userinstructions-a-model.pdf (Year: 2020).*

U.S. Appl. No. 29/596,664, filed Mar. 9, 2017, Gordon, et al.
 U.S. Appl. No. 29/596,665, filed Mar. 9, 2017, Gordon, et al.
 U.S. Appl. No. 29/718,342, filed Dec. 23, 2019, Gordon, et al.
 U.S. Appl. No. 29/618,346, filed Sep. 20, 2017, Gordon, et al.
 U.S. Appl. No. 29/596,665, filed Jun. 24, 2019, Gordon, et al.
 European Examination Report, 004248086-0001/004248086-0006, dated Jan. 4, 2018, 6 pages.
 Canadian Intellectual Property Office, Examination Report, Application No. 190395, dated Nov. 19, 2019, in 22 pages.
 Canadian Intellectual Property Office, Examination Report, Application No. 190393, dated Nov. 19, 2019, in 22 pages.
 Canadian Intellectual Property Office, Examination Report, Application No. 190394, dated Nov. 19, 2019, in 33 pages.
 Canadian Intellectual Property Office, Examination Report, Application No. 190390, dated Nov. 19, 2019, in 24 pages.
 Canadian Intellectual Property Office, Examination Report, Application No. 190392, dated Nov. 19, 2019, in 22 pages.
 Canadian Intellectual Property Office, Examination Report, Application No. 190391, dated Nov. 19, 2019, in 22 pages.
 Canadian Intellectual Property Office, Examination Subsequent Report, Application No. 180450, dated Nov. 19, 2019, in 12 pages.
 U.S. Appl. No. 29/618,347, filed Sep. 20, 2017, Gordon, et al.

* cited by examiner

Primary Examiner — Mary Shannon Malley

Assistant Examiner — Lee D. Starr

(74) Attorney, Agent, or Firm — Knobbe Martens Olson & Bear LLP

(57) CLAIM

The ornamental design for a headgear for a nasal mask, as shown and described.

DESCRIPTION

The file of this patent contains at least one drawing executed in color. Copies of this patent with color drawings will be provided by the Office upon request and payment of the necessary fee.

FIG. 1 is a top, front, right side perspective view of a first embodiment of a headgear for a nasal mask embodying our new design, the headgear shown in an in-use configuration to wrap around a user's head.

FIG. 2 is a front view thereof;

FIG. 3 is a rear view thereof;

FIG. 4 is a left side view thereof;

FIG. 5 is a right side view thereof;

FIG. 6 is a top view thereof; and

FIG. 7 is a bottom view thereof.

FIG. 8 is a top, front, right side perspective view of a second embodiment of a headgear for a nasal mask embodying our new design, the headgear shown in an in-use configuration to wrap around a user's head;

FIG. 9 is a front view thereof;

FIG. 10 is a rear view thereof;

FIG. 11 is a left side view thereof;

FIG. 12 is a right side view thereof;

FIG. 13 is a top view thereof; and,

FIG. 14 is a bottom view thereof.

**1 Claim, 14 Drawing Sheets
(7 of 14 Drawing Sheet(s) Filed in Color)**

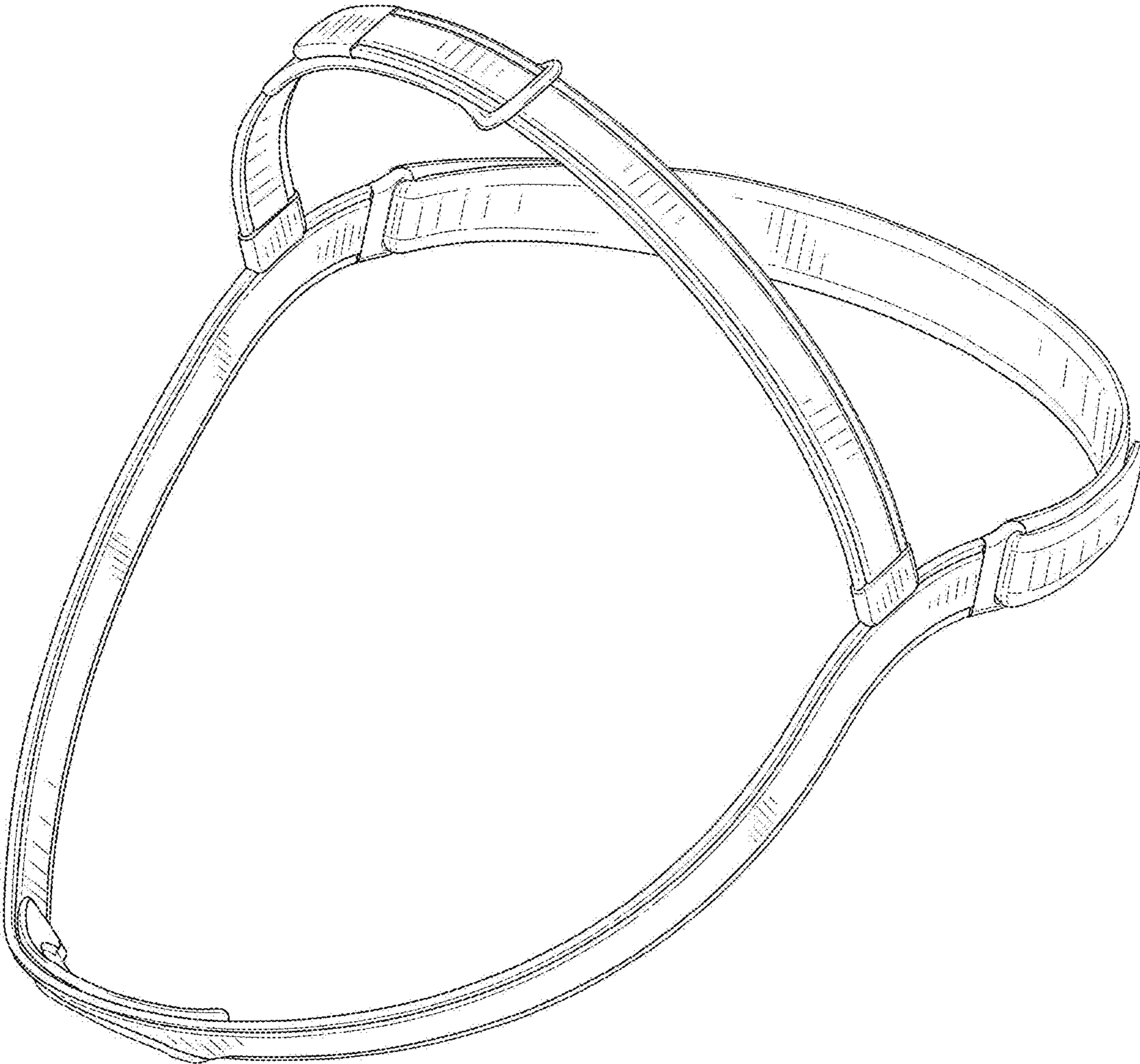


FIGURE 1

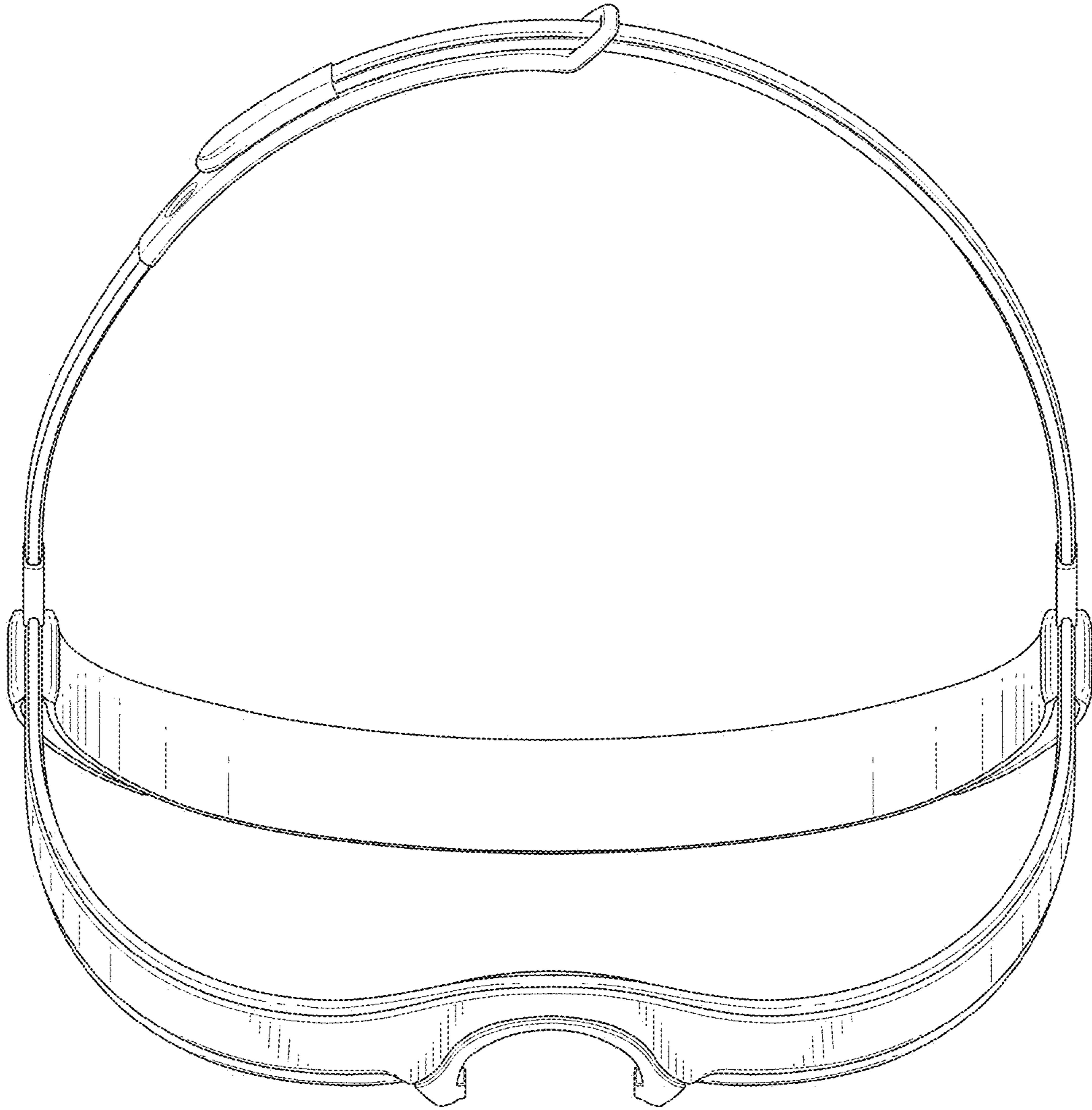


FIGURE 2

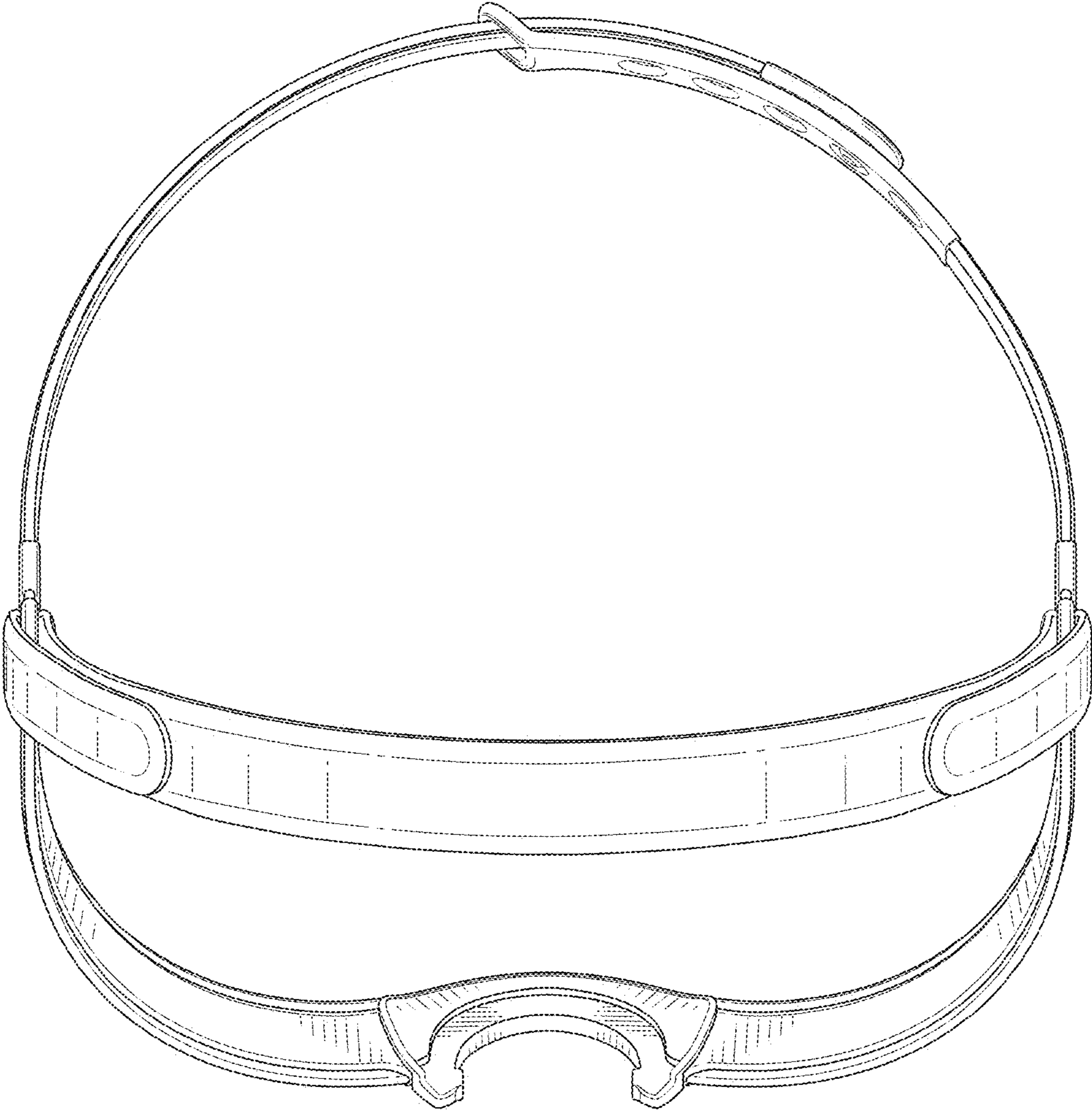


FIGURE 3

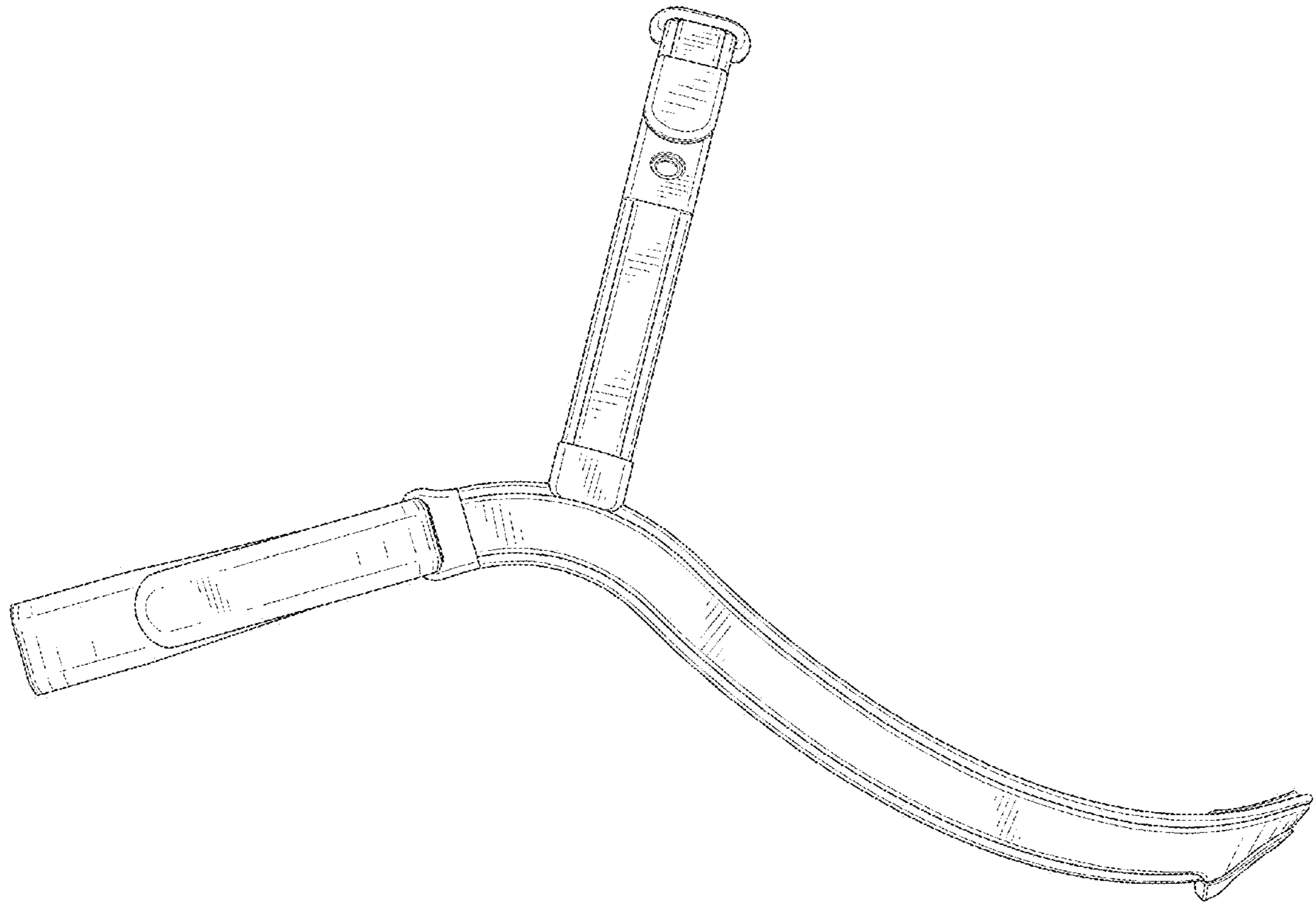


FIGURE 4

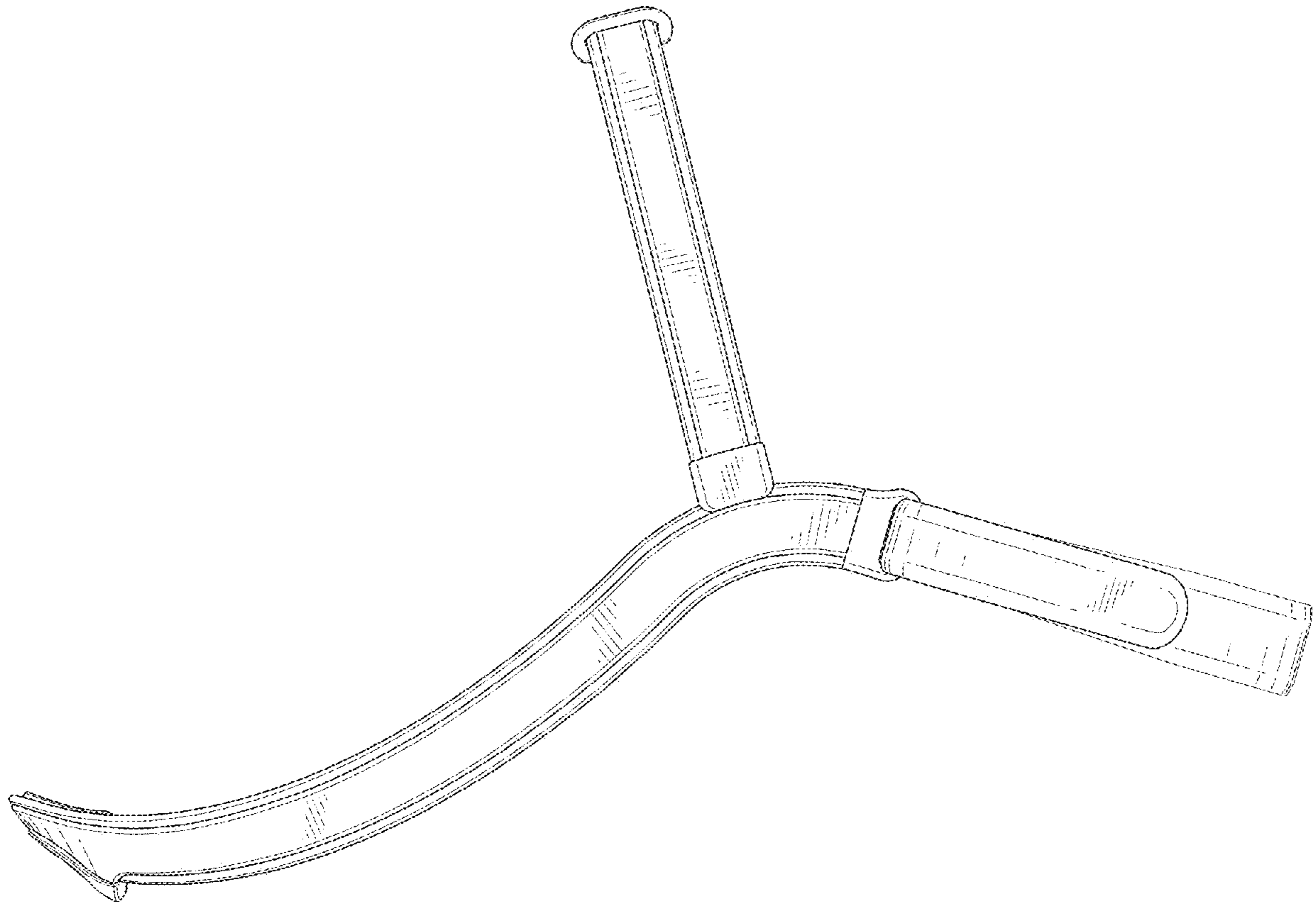


FIGURE 5

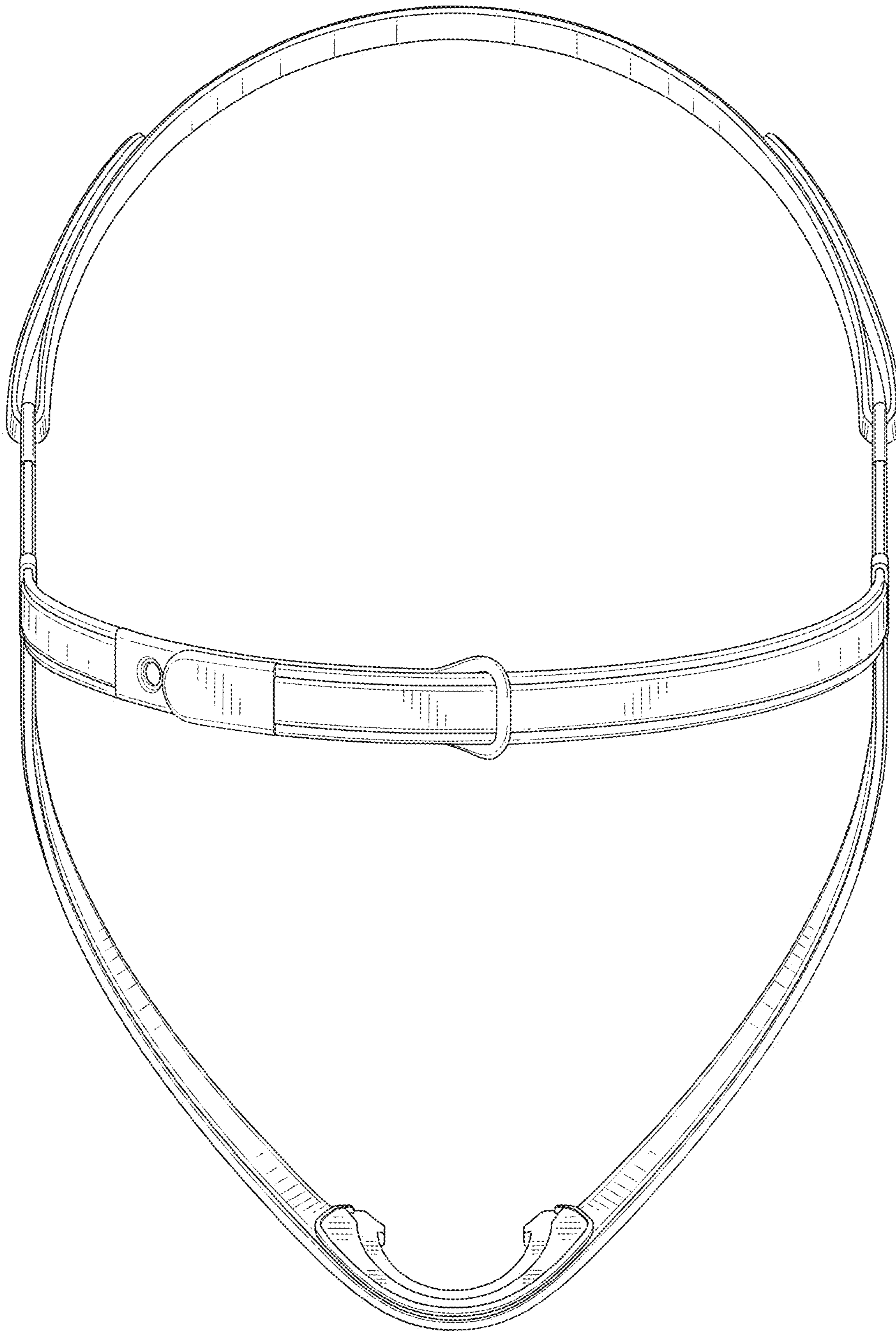


FIGURE 6

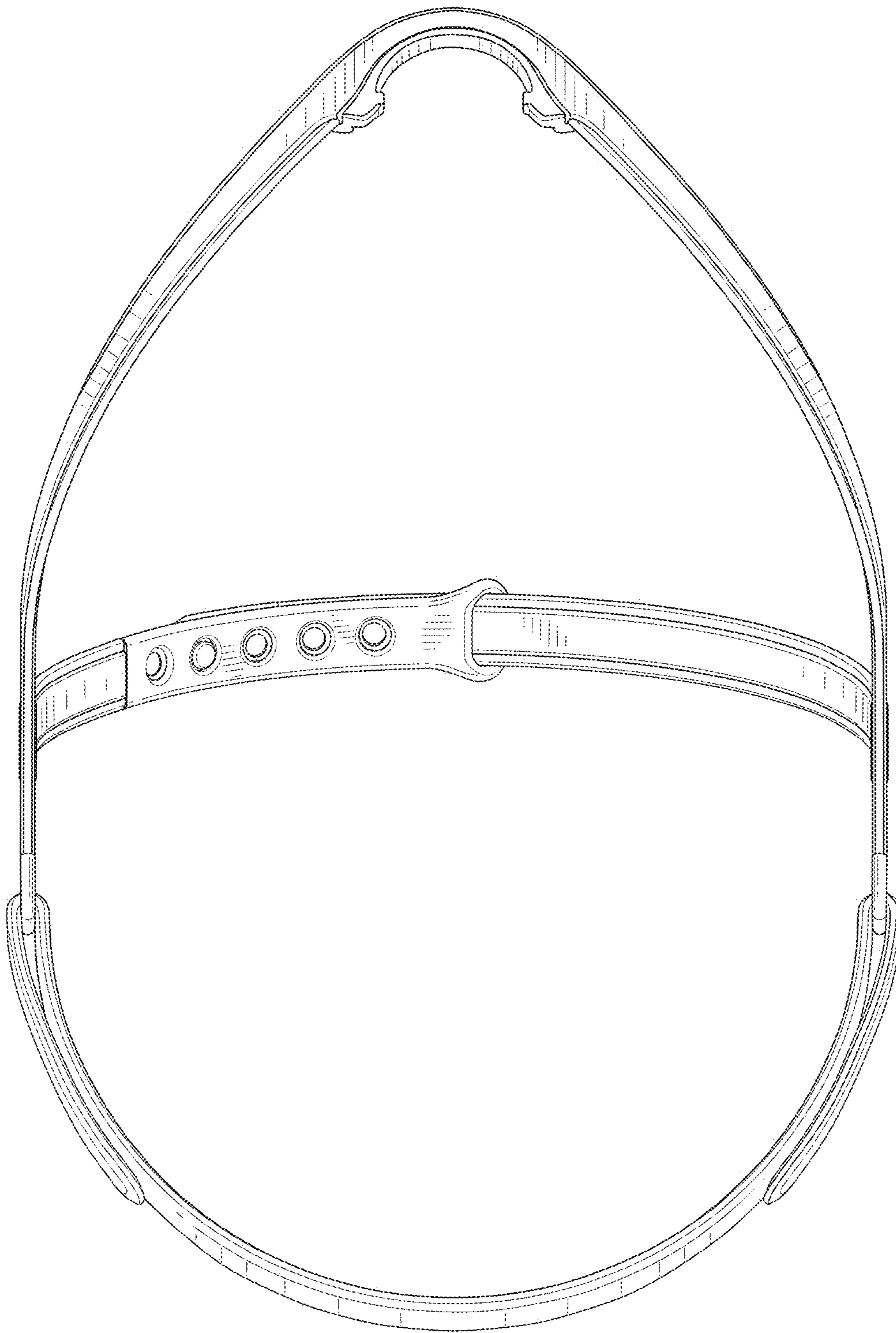


FIGURE 7

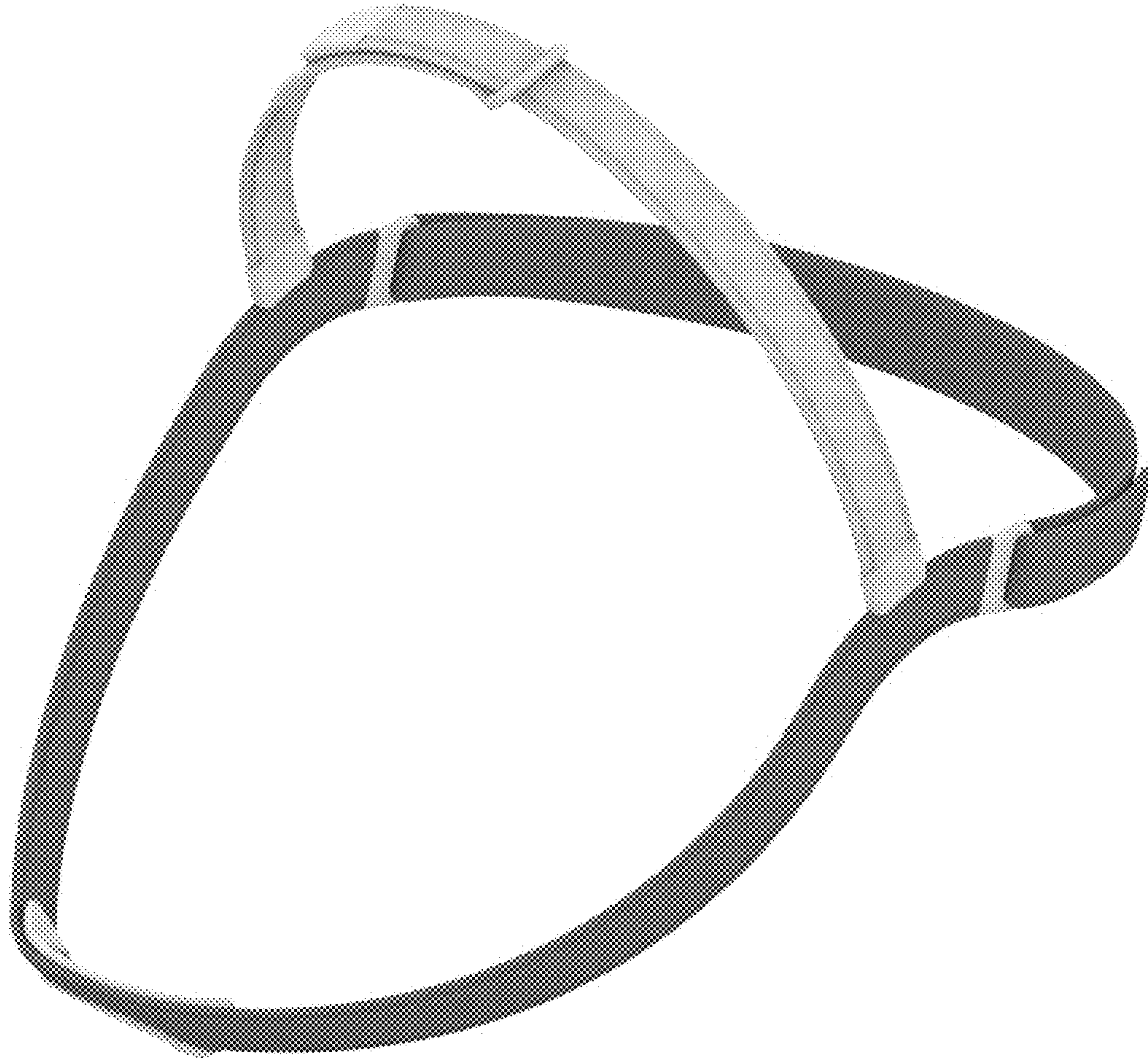


FIGURE 8



FIGURE 9



FIGURE 10

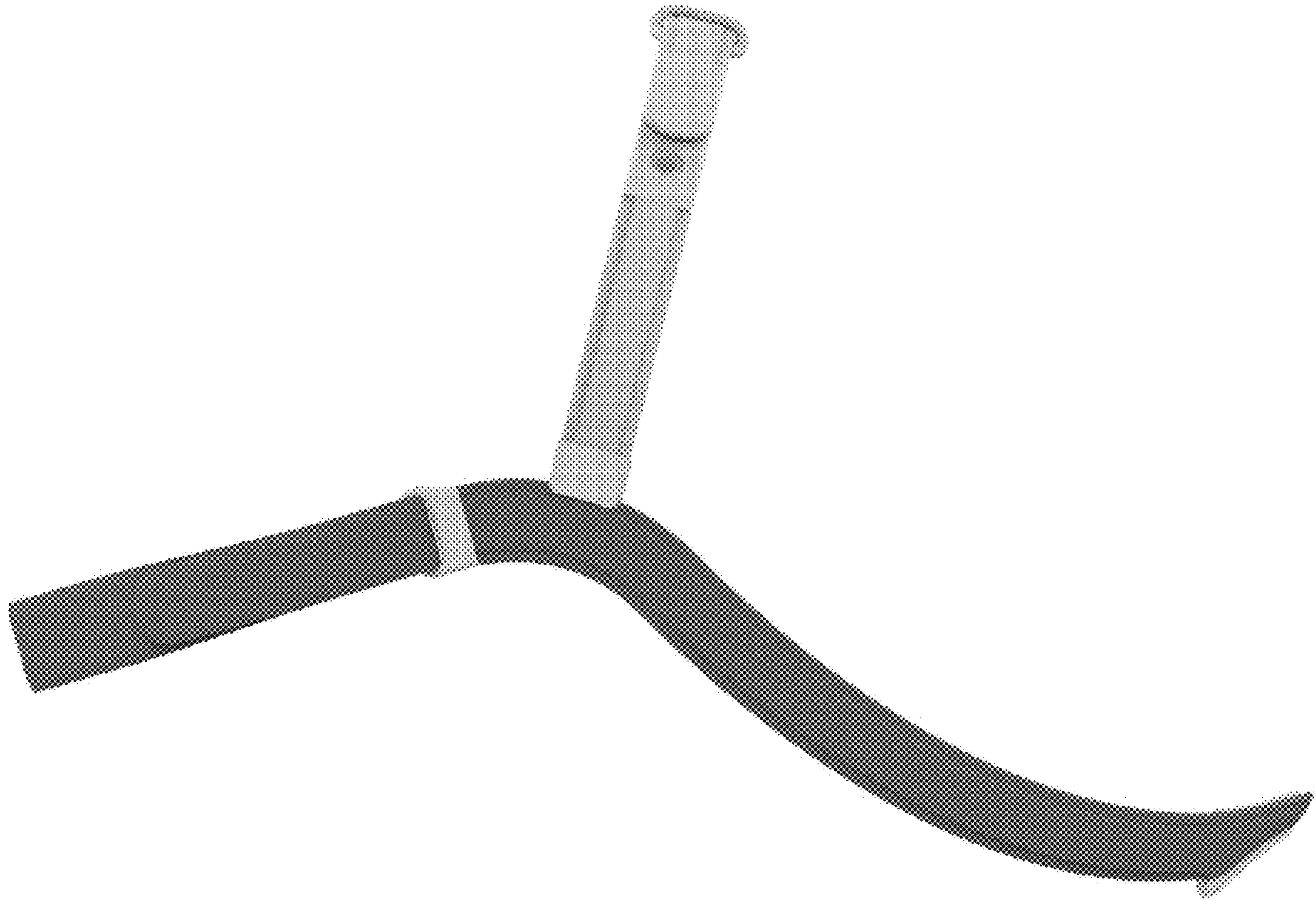


FIGURE 11

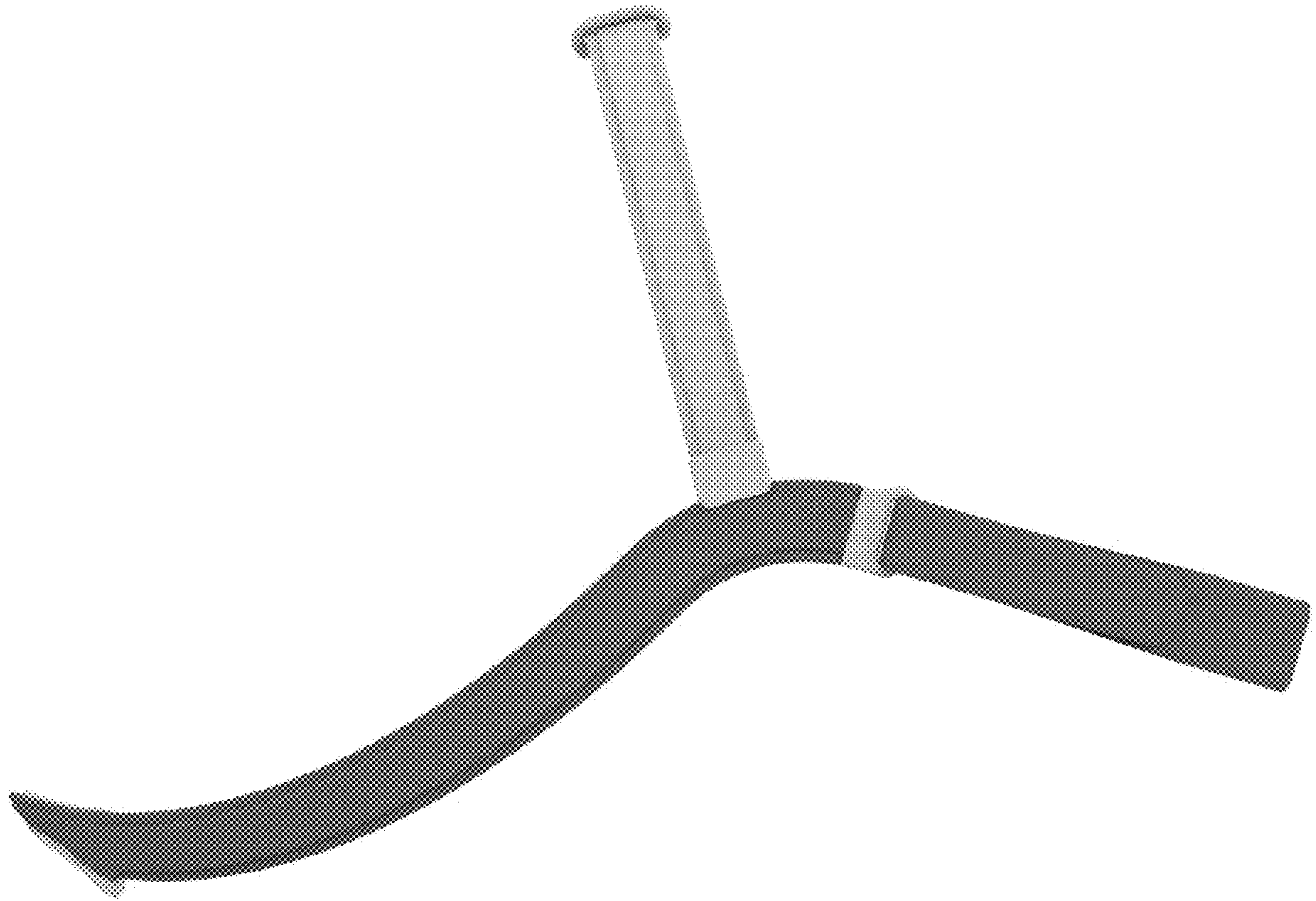


FIGURE 12



FIGURE 13



FIGURE 14