



US00D96992S

(12) **United States Design Patent** (10) **Patent No.:** **US D969,992 S**
Espinoza (45) **Date of Patent:** **** Nov. 15, 2022**

(54) **DEVICE FOR NASAL SPRAY**
(71) Applicant: **APTAR FRANCE SAS, Le Neubourg**
(FR)
(72) Inventor: **Diego Espinoza, Oissel (FR)**
(**) Term: **15 Years**
(21) Appl. No.: **35/511,123**
(22) Filed: **Dec. 23, 2020**

D864,380 S * 10/2019 Partsch, IV D24/112
D868,962 S * 12/2019 Partsch, IV D24/112
D869,644 S * 12/2019 Partsch, IV D24/112
D869,645 S * 12/2019 Partsch, IV D24/112
D869,646 S * 12/2019 Partsch, IV D24/112
D890,330 S * 7/2020 Wang D24/110
D891,611 S * 7/2020 Valentin D24/114
D903,098 S * 11/2020 Tom D24/111
D954,942 S * 6/2022 Lee D24/114
2008/0220107 A1 * 9/2008 Akerman A61M 15/00
424/776
2017/0172974 A1 * 6/2017 Cagle A61K 9/0043
2019/0255545 A1 * 8/2019 Hohmann B05B 11/3077

(80) **Hague Agreement Data**
Int. Filing Date: **Dec. 23, 2020**
Int. Reg. No.: **DM/211987**
Int. Reg. Date: **Dec. 23, 2020**
Int. Reg. Pub. Date: **Jan. 15, 2021**
(51) **LOC (13) Cl.** **29-02**
(52) **U.S. Cl.**
USPC **D24/110; D24/114**
(58) **Field of Classification Search**
USPC D24/108, 110–115, 141, 147, 133
CPC A61K 31/5375; A61K 31/24; A61K 31/16;
A61K 31/46; A61M 15/08; A61M
15/0086; A61M 11/006
See application file for complete search history.

(56) **References Cited**
U.S. PATENT DOCUMENTS
D308,100 S * 5/1990 Bishop D24/110
D328,643 S * 8/1992 Mitchell D24/114
D489,819 S * 5/2004 Ford D24/112
D739,933 S * 9/2015 Ettlin D24/114
D842,457 S * 3/2019 Partsch, IV D24/112
D860,435 S * 9/2019 Wang D24/110
D863,548 S * 10/2019 Partsch, IV D24/112

OTHER PUBLICATIONS

Business Wire. Aptar Pharma’s Bidose Nasal Drug Delivery Device Approved by U.S. FDA for Breakthrough Treatment of Depression. Mar. 18, 2019. <https://bwnews.pr/3eENI2I> (Year: 2019).*

* cited by examiner

Primary Examiner — Darcey E Gottschalk

(57) **CLAIM**

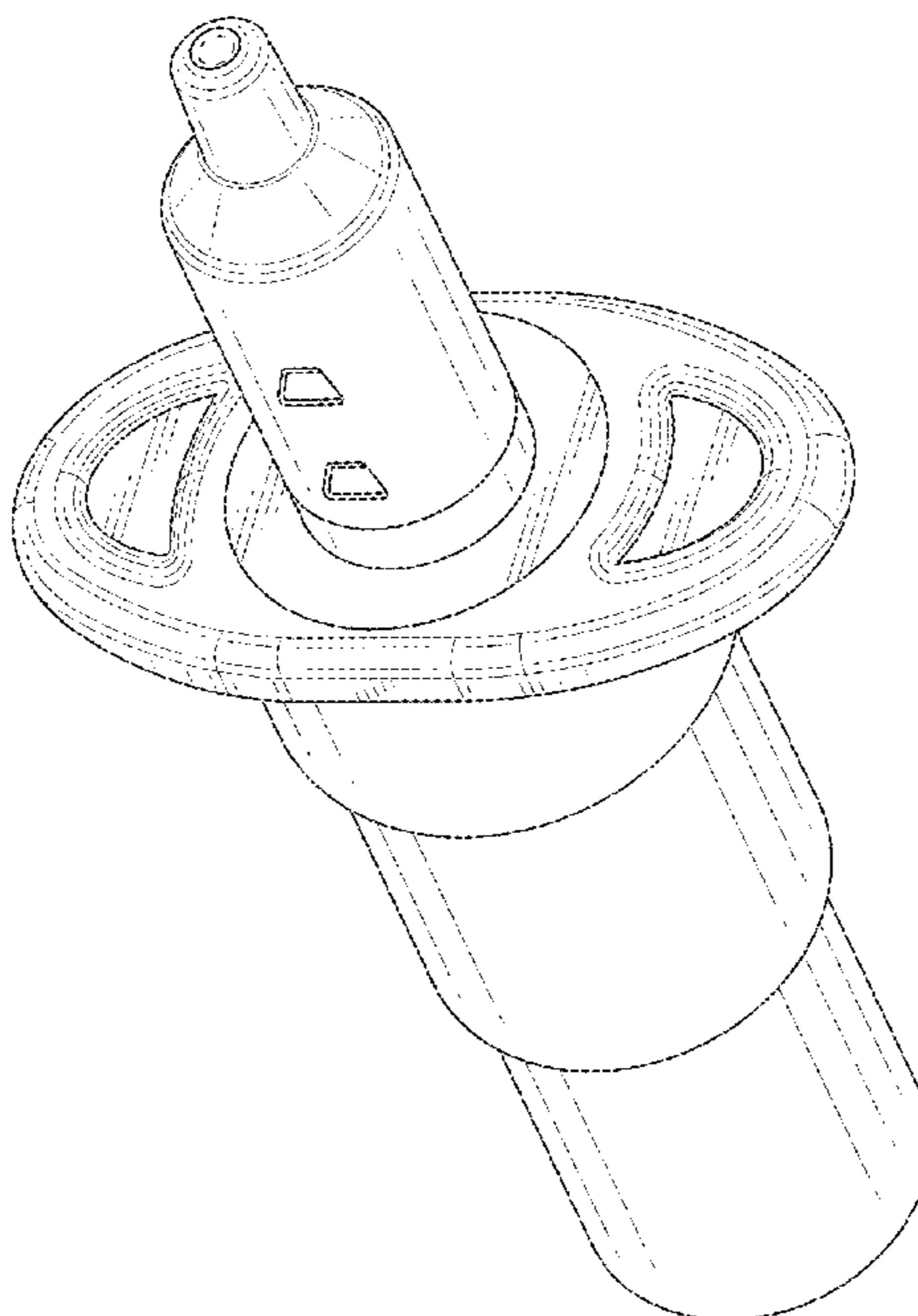
The ornamental design for a device for nasal spray, as shown and described.

DESCRIPTION

- 1. Device for nasal spray
- 1.1: Perspective
- 1.2 : Front
- 1.3 : Right
- 1.4 : Top
- 1.5 : Bottom

The broken lines depict portions of the device for nasal spray that form no part of the claim.

1 Claim, 5 Drawing Sheets



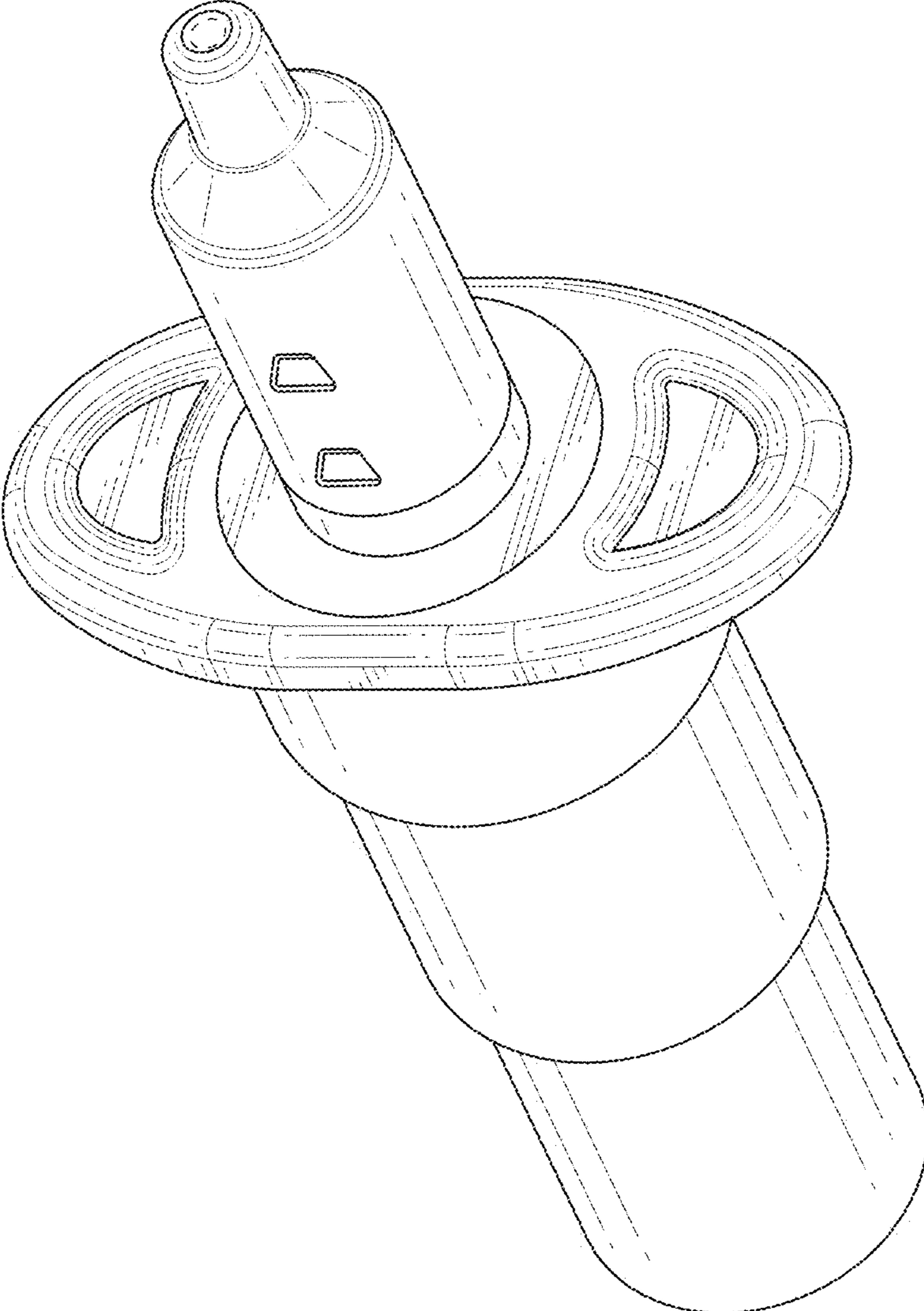


FIG. 1.1

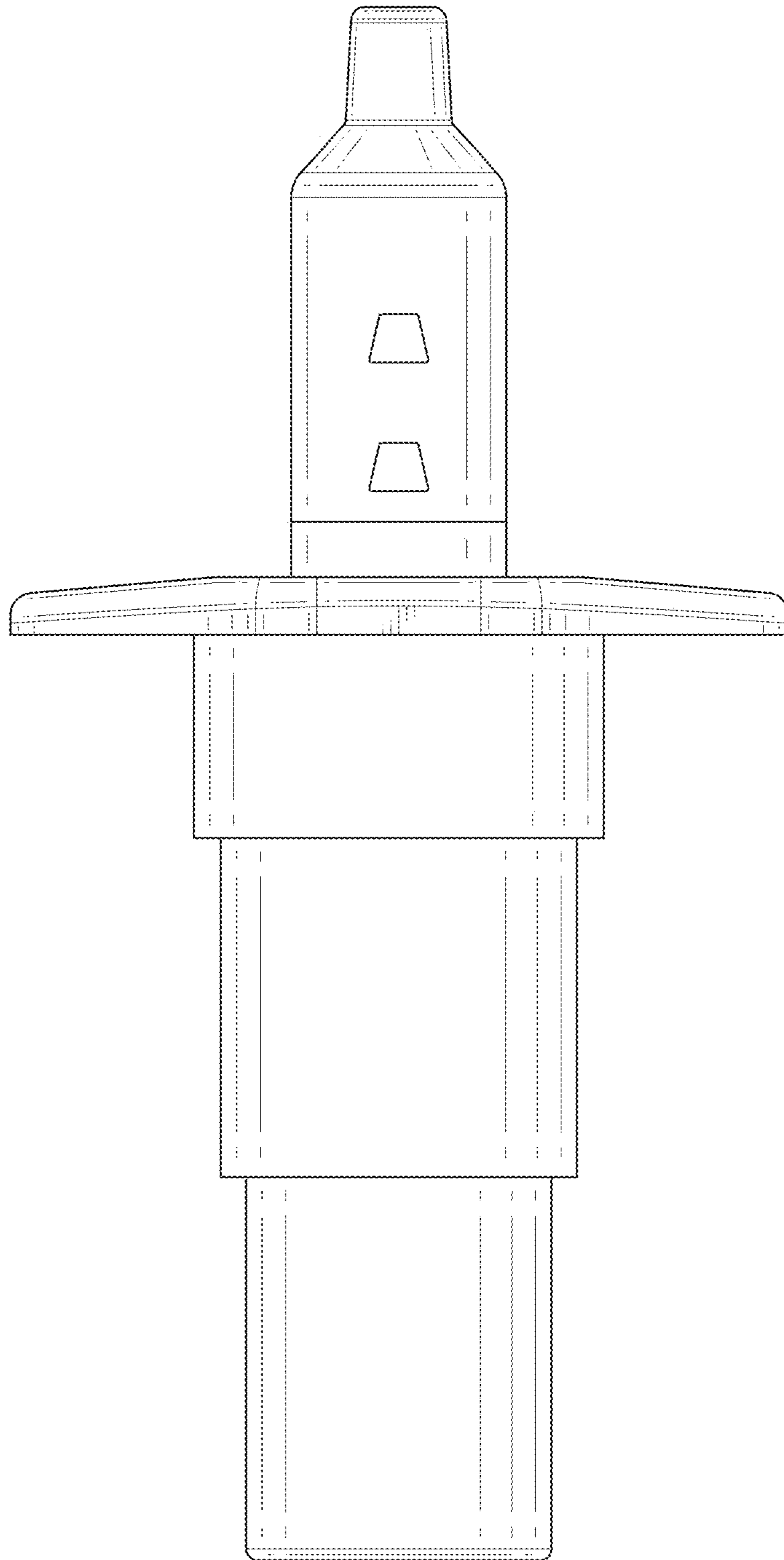


FIG. 1.2

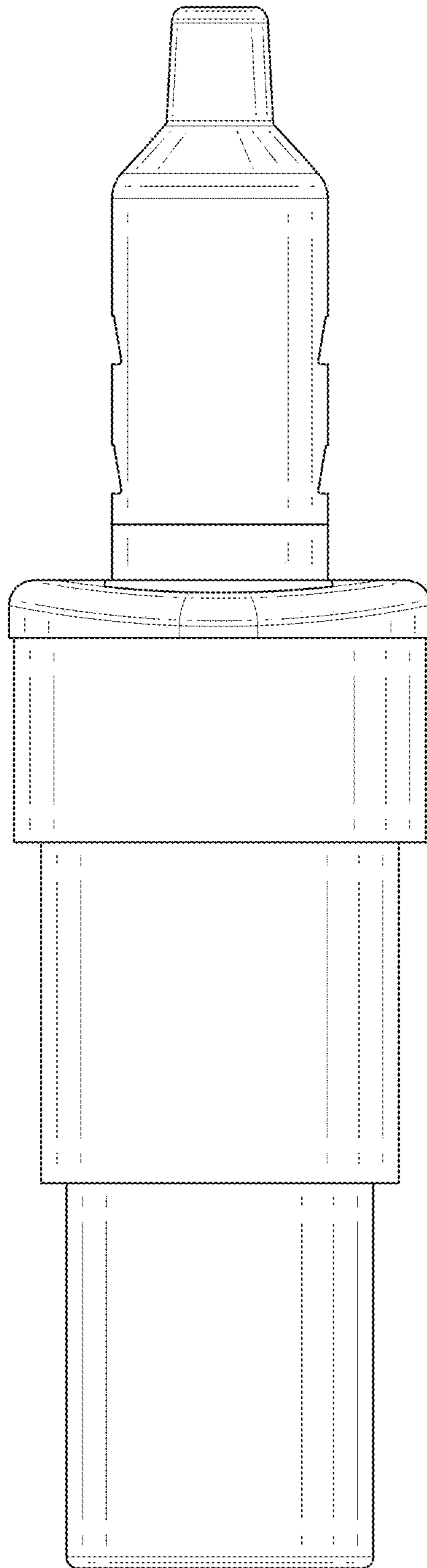


FIG. 1.3

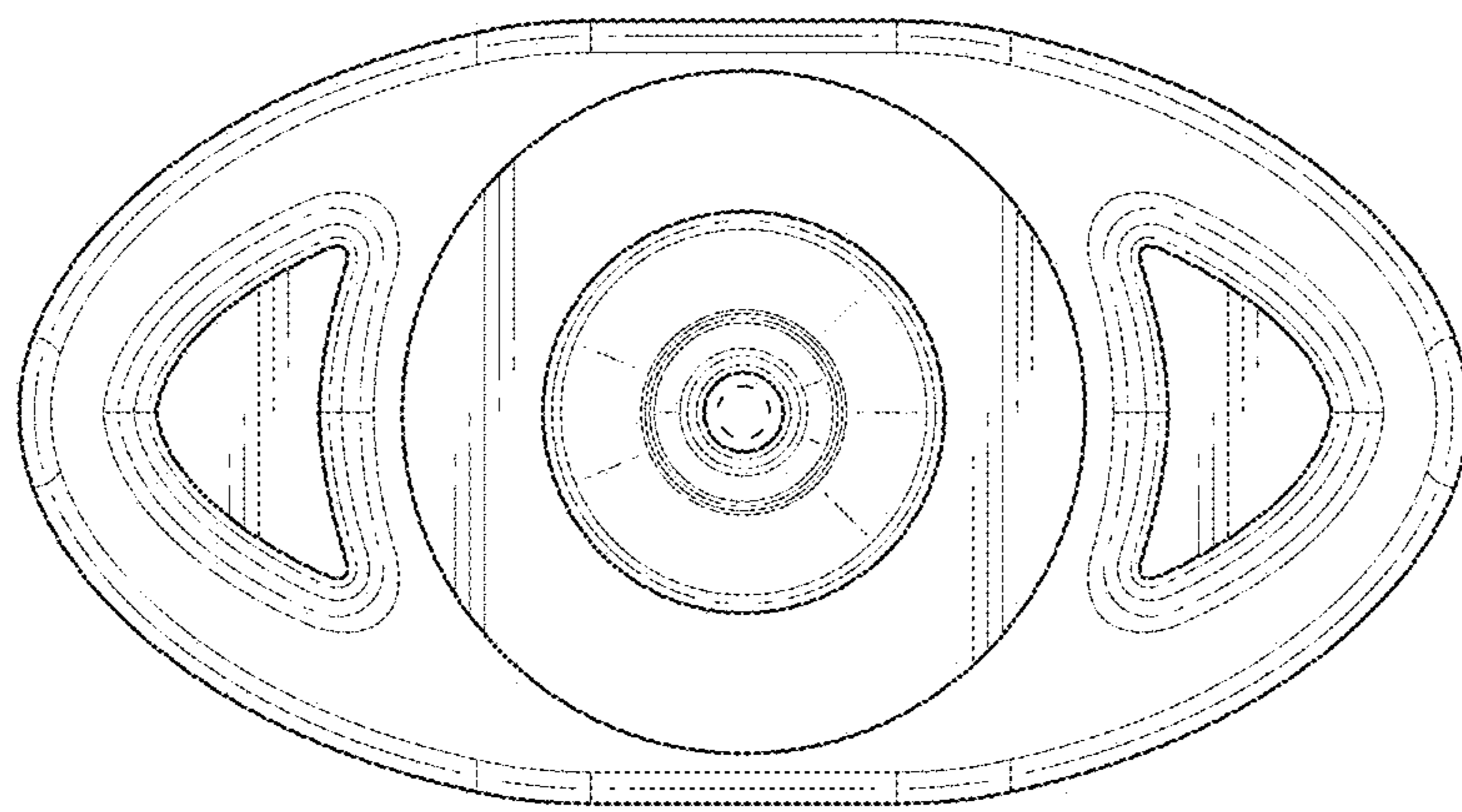


FIG. 1.4

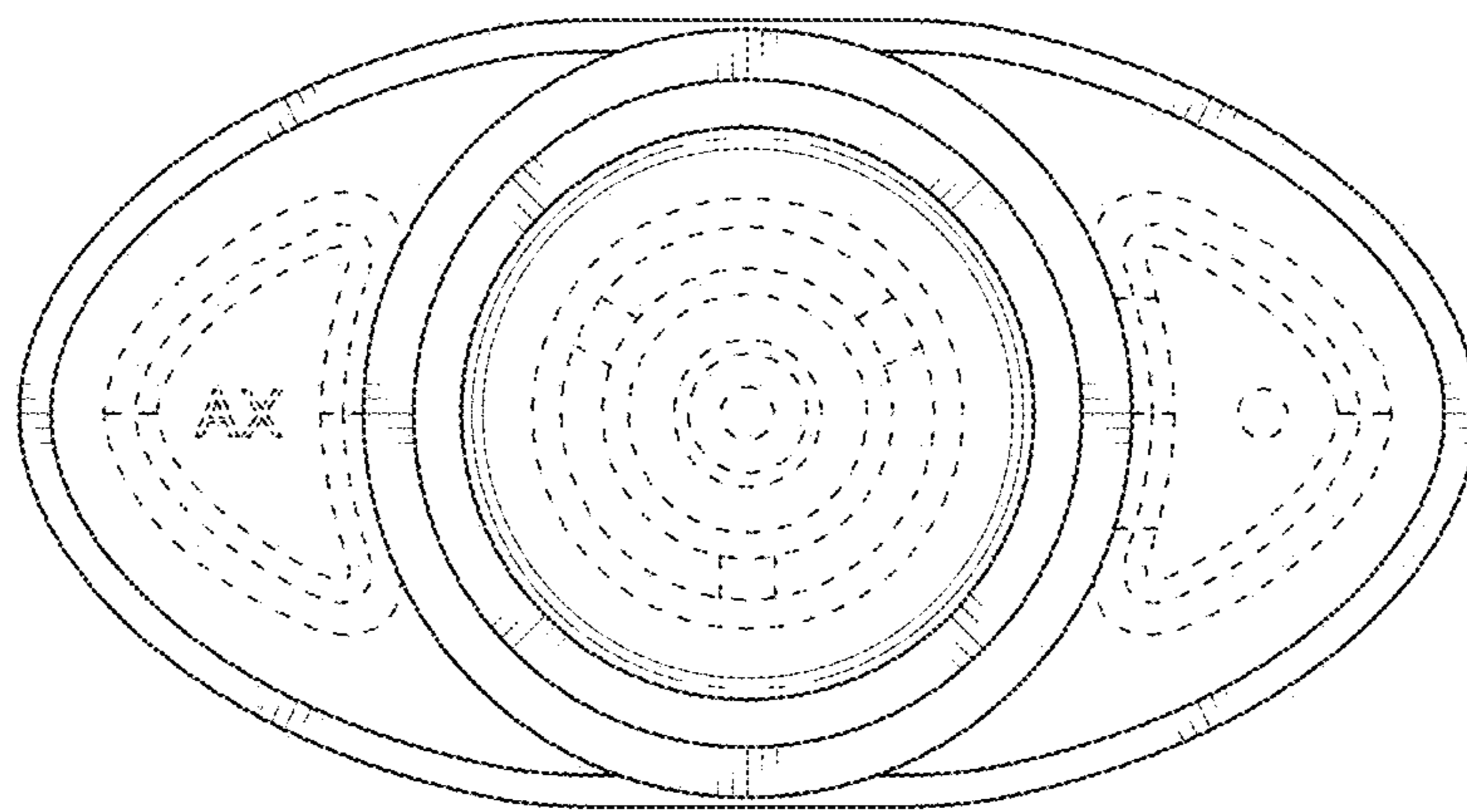


FIG. 1.5