

US00D96990S

(12) **United States Design Patent** (10) **Patent No.:** **US D969,990 S**  
**Zeng et al.** (45) **Date of Patent:** **\*\* Nov. 15, 2022**

(54) **MISTING FAN**  
(71) Applicant: **O2COOL, LLC**, Chicago, IL (US)  
(72) Inventors: **Tom Zeng**, Shenzhen (CN); **Jeff Bull**, Naperville, IL (US)  
(73) Assignee: **O2COOL, LLC**, Chicago, IL (US)  
(\*\*) Term: **15 Years**

7,997,565 B1 8/2011 Chan  
D671,630 S 11/2012 Hideharu et al.  
D676,123 S 2/2013 Hideharu et al.  
D701,298 S 3/2014 Daisaku  
D832,989 S 11/2018 Breit et al.  
D868,229 S \* 11/2019 Chen ..... D23/332  
D903,088 S \* 11/2020 Chen ..... D23/382  
D917,035 S \* 4/2021 Zhou ..... D23/370  
D940,288 S \* 1/2022 Matsumoto ..... D23/333  
D951,422 S \* 5/2022 Zeng ..... D23/370

(Continued)

(21) Appl. No.: **29/730,416**  
(22) Filed: **Apr. 3, 2020**  
(51) **LOC (13) Cl.** ..... **23-04**  
(52) **U.S. Cl.**  
USPC ..... **D23/370**; D23/328; D23/333  
(58) **Field of Classification Search**  
USPC ..... D23/200, 223, 228, 314, 328, 332, 333,  
D23/335, 336, 337, 341, 351, 355, 356,  
D23/370, 371, 378-380, 381, 382, 383,  
D23/411-412  
CPC .... F04D 25/0673; F04D 25/08; F04D 25/084;  
F04D 29/4226  
See application file for complete search history.

FOREIGN PATENT DOCUMENTS

CN 103410747 A 11/2013  
CN 103410749 A 11/2013

Primary Examiner — Sharon S Oum

(74) Attorney, Agent, or Firm — Thompson Coburn LLP

(57) **CLAIM**

The ornamental design for the misting fan, as shown and described.

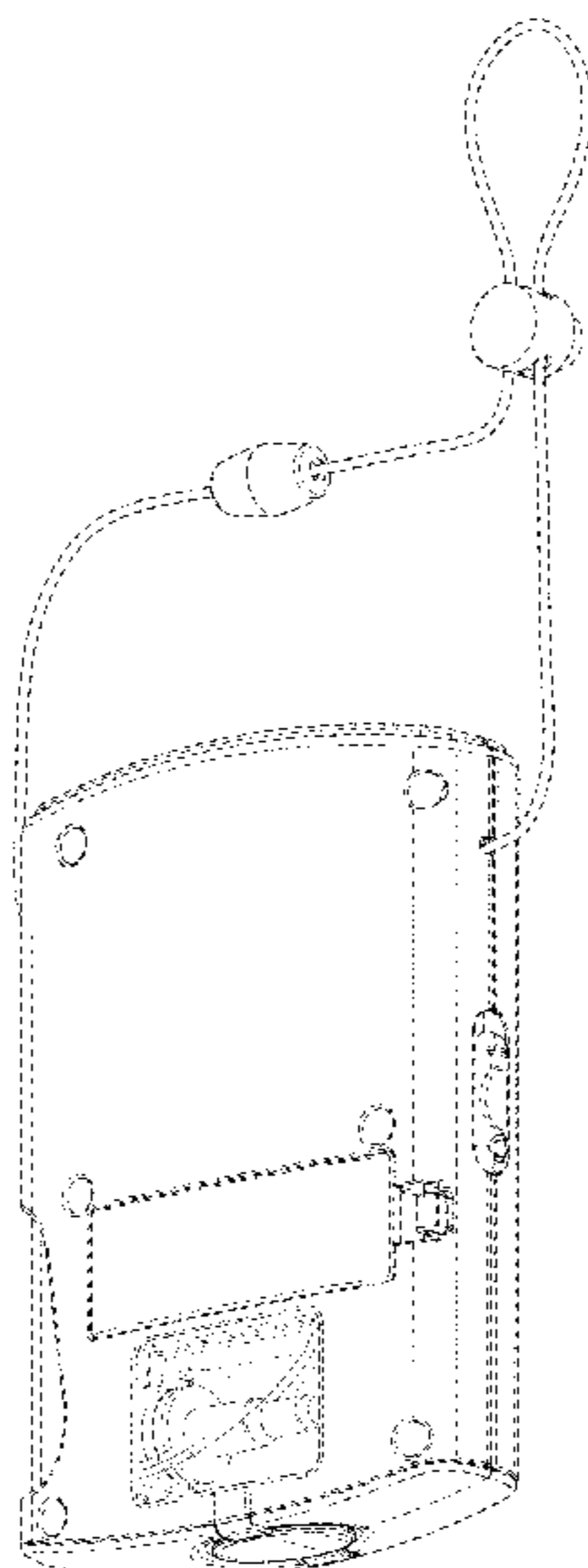
**DESCRIPTION**

FIG. 1 is a rear view of the misting fan showing our new design;  
FIG. 2 is a first perspective view thereof;  
FIG. 3 is a second perspective view thereof;  
FIG. 4 is a third perspective view thereof;  
FIG. 5 is a right side view thereof;  
FIG. 6 is a left side view thereof;  
FIG. 7 is a front view thereof;  
FIG. 8 is a top view thereof;  
FIG. 9 is a bottom view thereof; and,  
FIG. 10 is a fourth perspective view thereof.  
The dash-dot-dash broken lines immediately adjacent the shaded areas represent the bounds of the claimed design while all other broken lines are directed to portions of the misting fan. The broken lines form no part of the claimed design.

(56) **References Cited**  
U.S. PATENT DOCUMENTS

D339,858 S \* 9/1993 Shong ..... D23/382  
5,304,035 A 4/1994 Carter  
5,468,124 A \* 11/1995 Chen ..... F04D 25/08  
416/246  
5,667,732 A 9/1997 Lederer  
D387,422 S \* 12/1997 Radtke ..... D23/382  
5,837,167 A 11/1998 Lederer  
6,378,845 B1 4/2002 Hsu  
D489,052 S \* 4/2004 Shiraki ..... D14/203.3  
D506,476 S \* 6/2005 Andre ..... D14/203.7  
7,104,468 B2 9/2006 Stengel  
D543,614 S 5/2007 Chen  
D548,454 S 8/2007 Radtke et al.  
7,828,524 B2 11/2010 Chen

**1 Claim, 10 Drawing Sheets**



(56)

**References Cited**

U.S. PATENT DOCUMENTS

2006/0273195 A1 12/2006 Junkel  
2014/0090410 A1\* 4/2014 Decker ..... F04D 25/084  
62/259.3  
2014/0093404 A1\* 4/2014 Long ..... F04D 25/084  
417/234  
2019/0338786 A1\* 11/2019 Jones ..... F04D 25/084  
2020/0332809 A1\* 10/2020 Buxton ..... F04D 29/626

\* cited by examiner

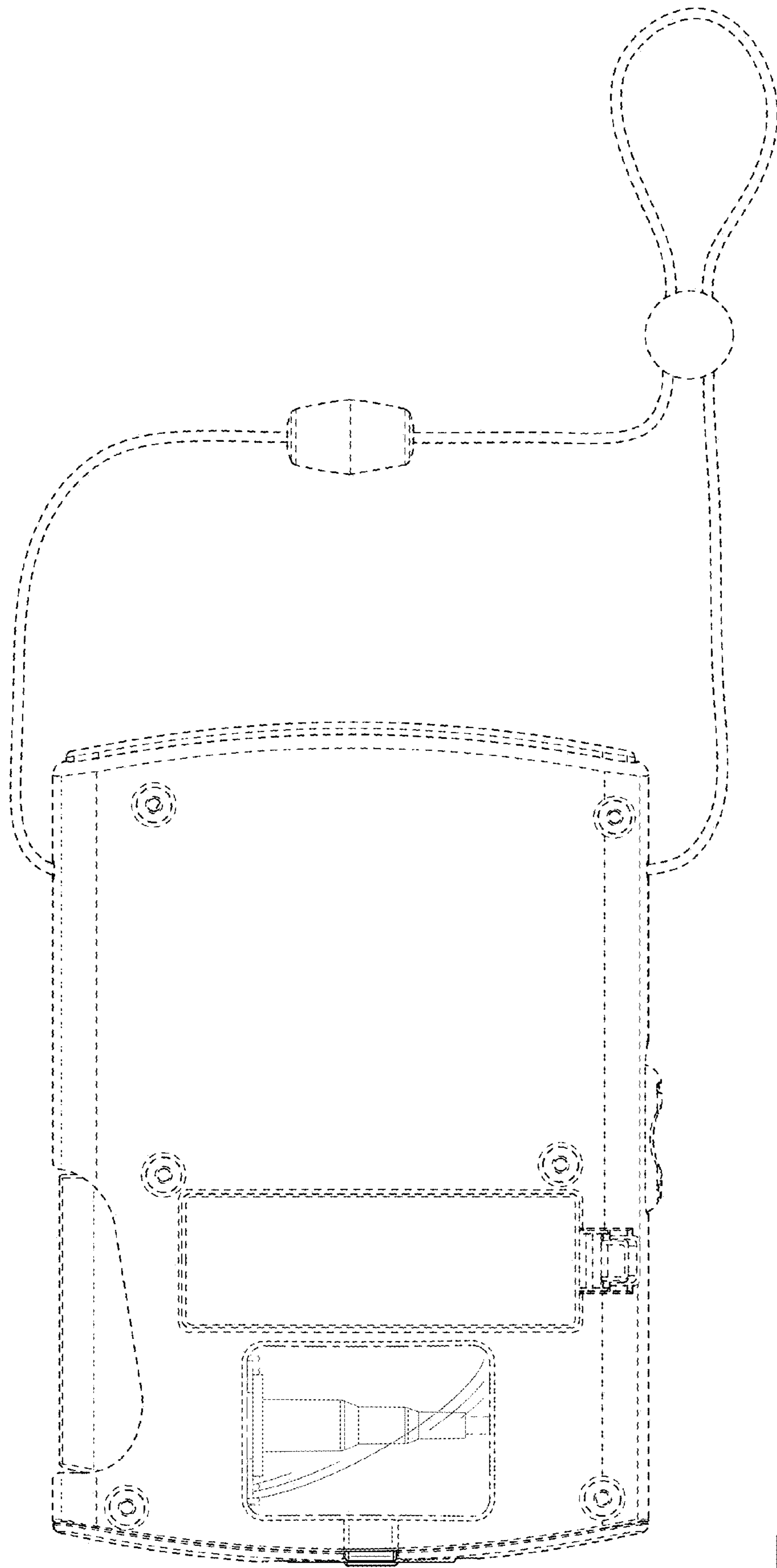


FIG. 1

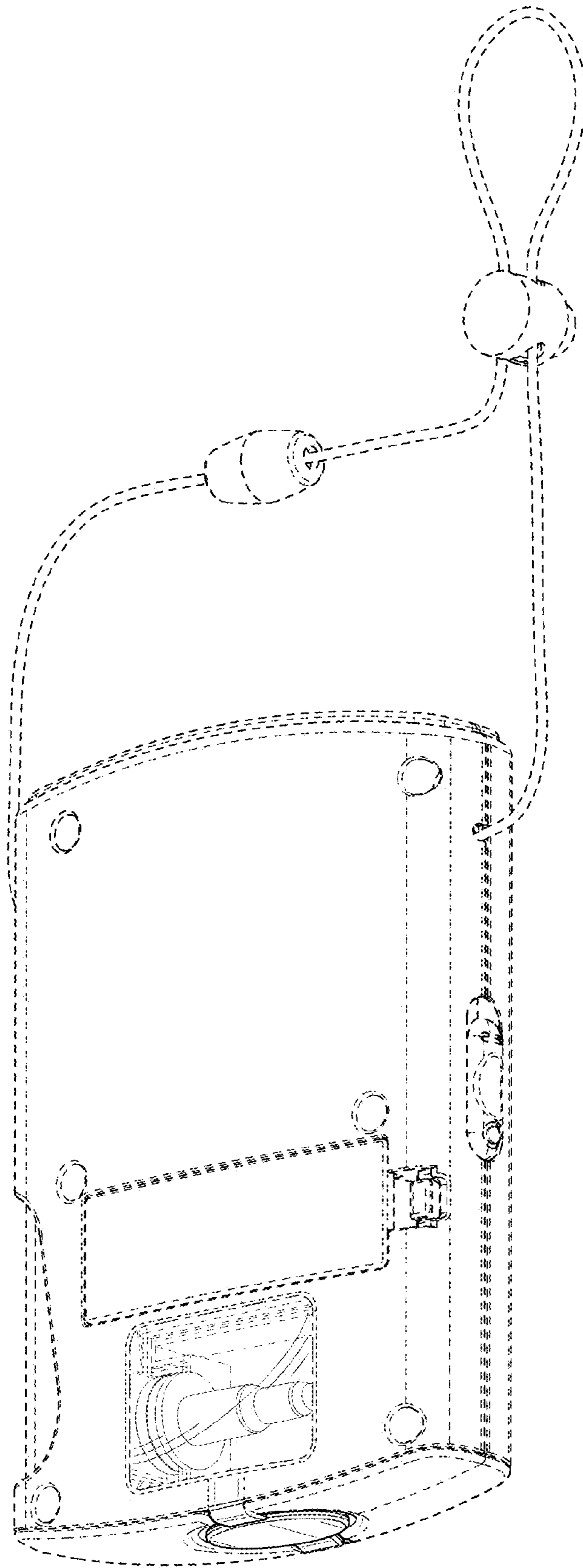


FIG. 2

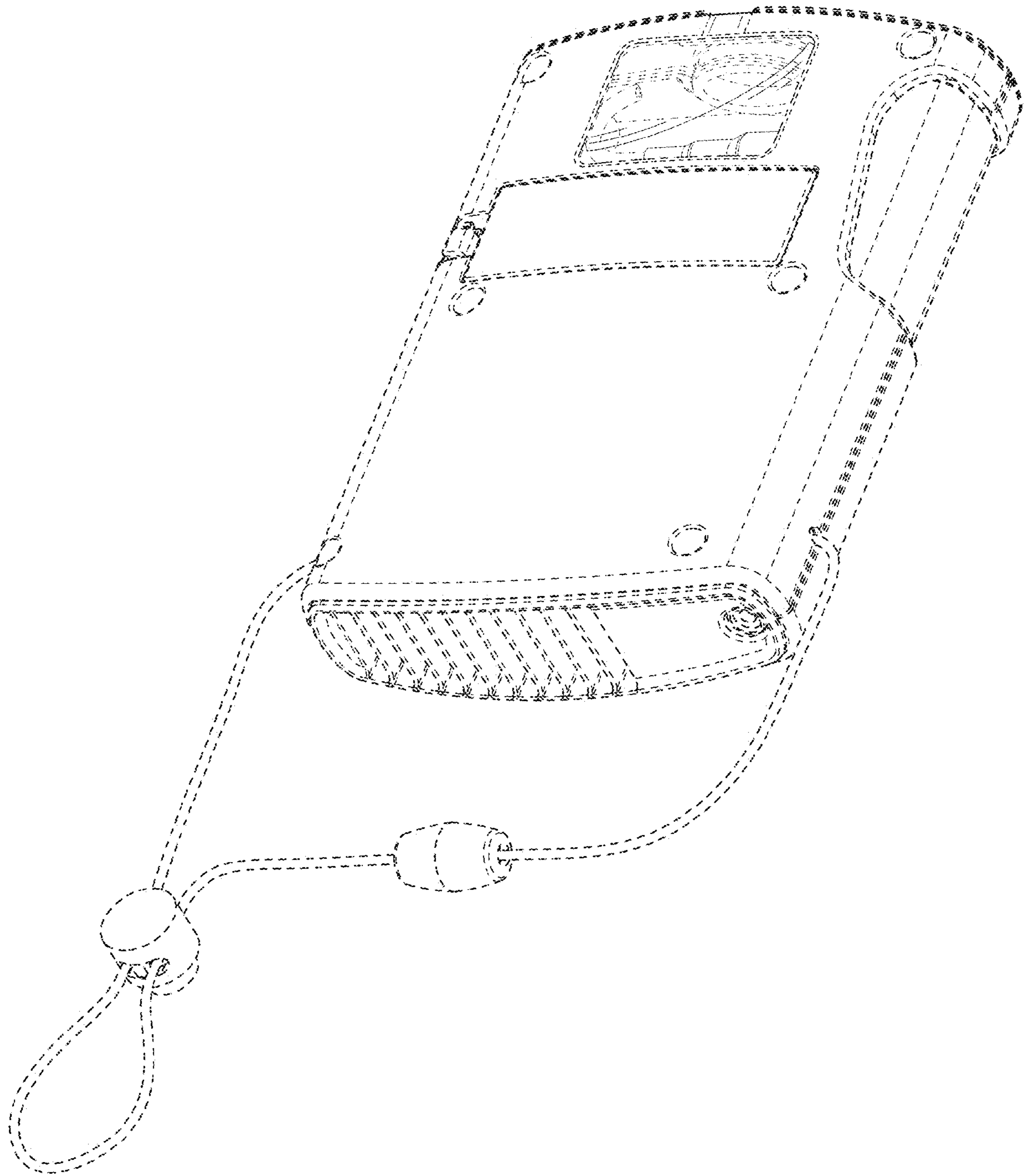


FIG. 3



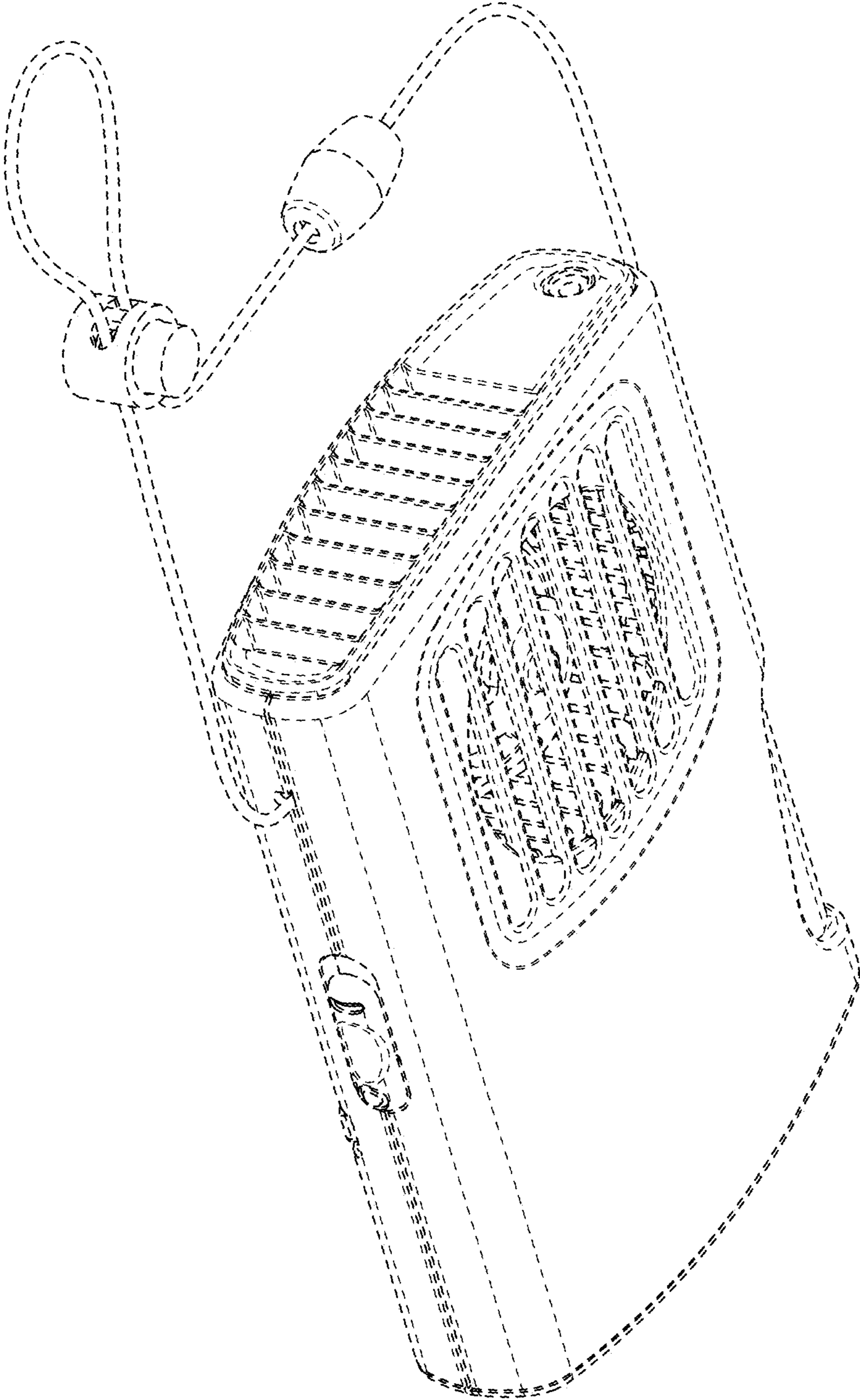


FIG. 4

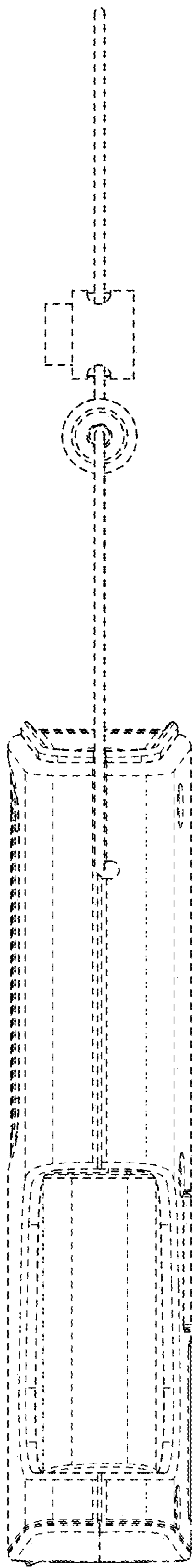


FIG. 5

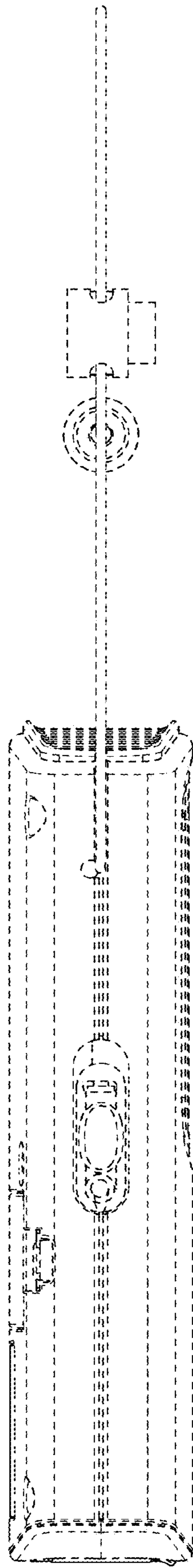


FIG. 6



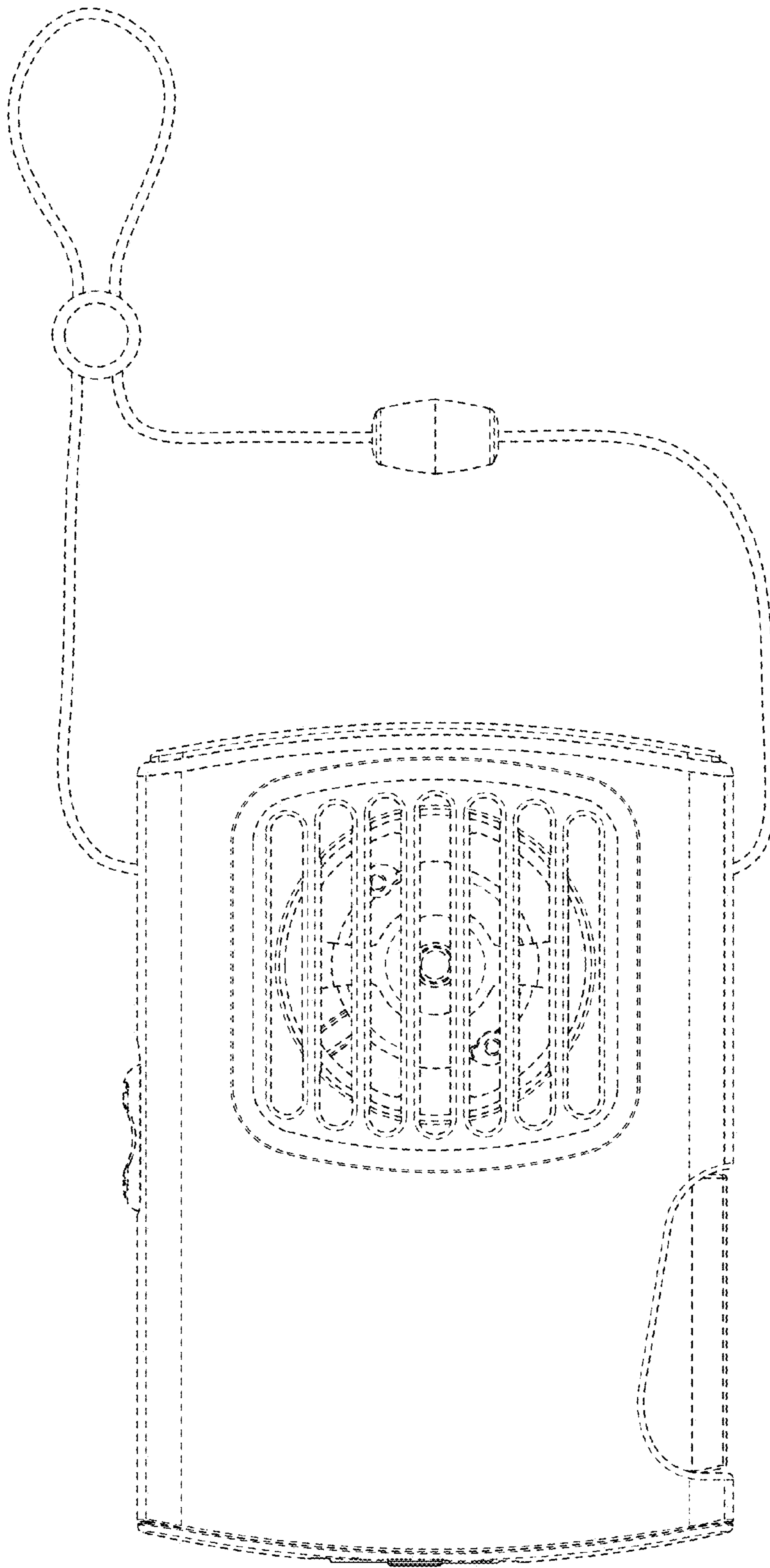


FIG. 7

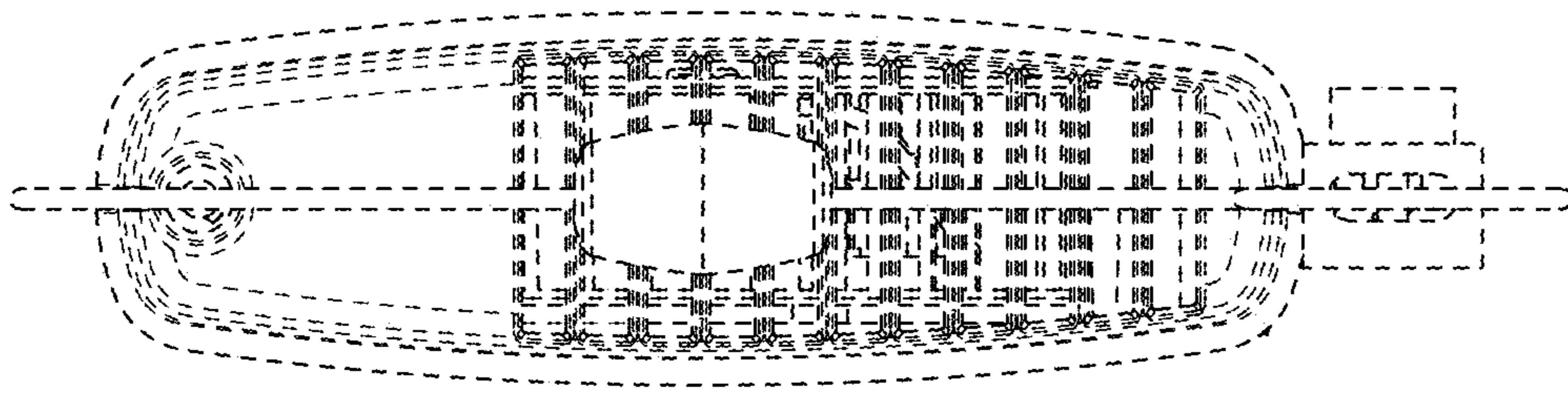


FIG. 8

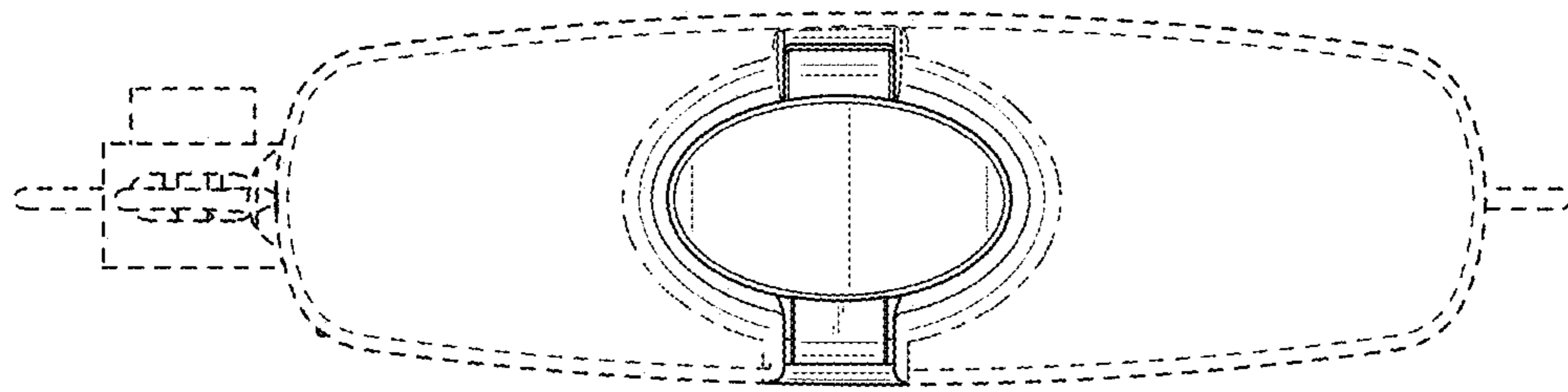


FIG. 9

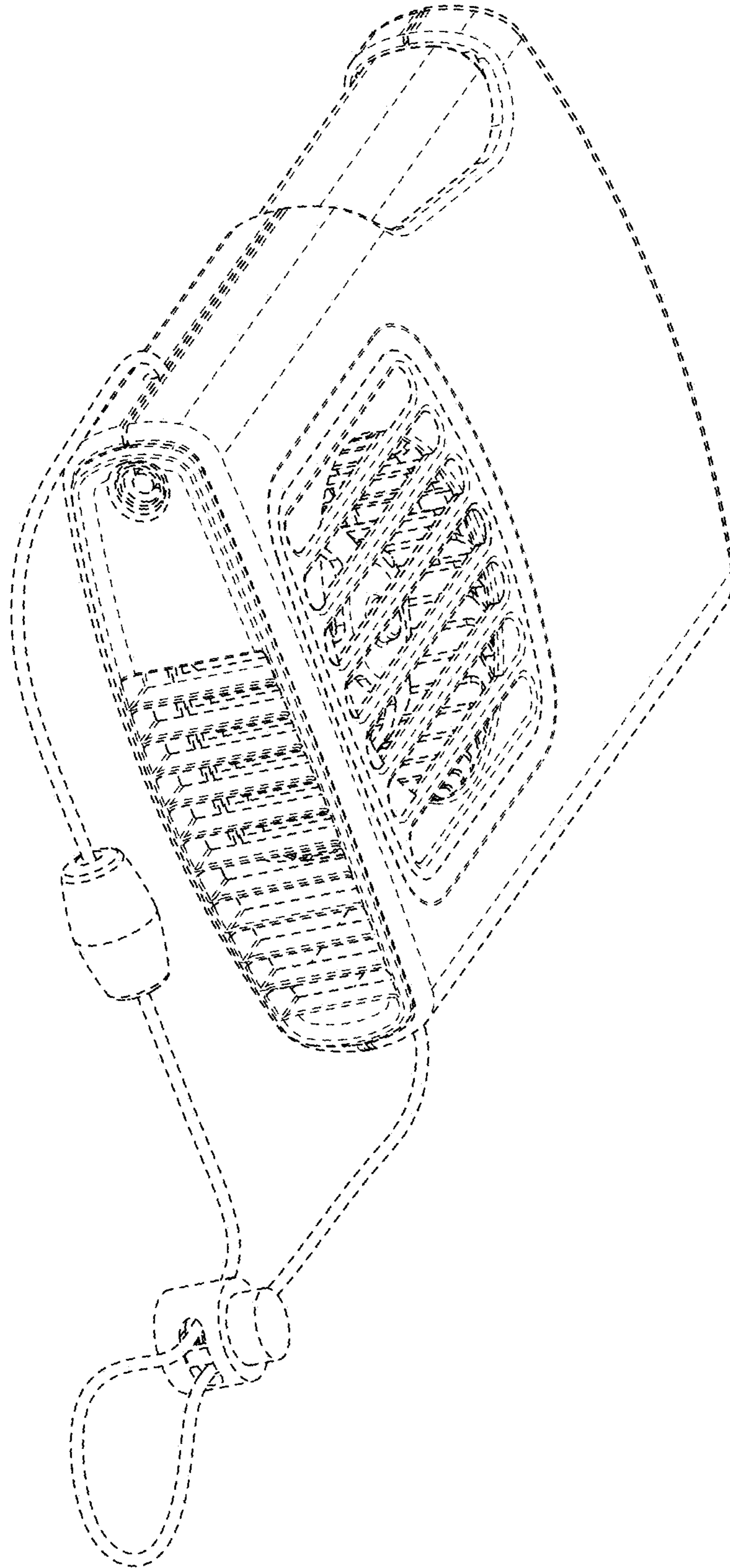


FIG. 10