

US00D969987S

(12) **United States Design Patent** (10) **Patent No.:** **US D969,987 S**
Simons et al. (45) **Date of Patent:** **** Nov. 15, 2022**

(54) **AIR FRESHENER**

(71) Applicant: **PARADISE AIR FRESH, LLC**, Palm City, AZ (US)

(72) Inventors: **Ryan S. Simons**, Palm City, FL (US); **Bella Guevara**, Carefree, AZ (US)

(73) Assignee: **PARADISE AIR FRESH, LLC**, Palm City, FL (US)

(**) Term: **15 Years**

(21) Appl. No.: **29/753,918**

(22) Filed: **Oct. 5, 2020**

(51) **LOC (13) Cl.** **23-04**

(52) **U.S. Cl.**
USPC **D23/366**

(58) **Field of Classification Search**
USPC D1/107; D7/506; D9/601, 602, 603, D9/609, 625; D15/90, 135, 136; D23/332, 333, 355-369, 388; D21/496, D21/584, 596, 606, 611, 628; D26/26, D26/98, 101, 126, 127; D6/518; D14/358

CPC A61L 9/03; A61L 9/04; A61L 9/05; A61L 9/12; A61L 9/14; A61L 9/012; A61L 9/015; A61L 9/048; A61L 9/127

See application file for complete search history.

(56) **References Cited**

U.S. PATENT DOCUMENTS

D398,391 S * 9/1998 Kutchko D23/366
D403,759 S * 1/1999 Robertson D23/366

D441,441 S * 5/2001 Upson D23/366
D453,561 S * 2/2002 Nelson D23/366
D464,417 S * 10/2002 Nelson D23/367
D588,253 S * 3/2009 Hanna D23/367
D607,095 S * 12/2009 LeMay D23/366
D636,069 S * 4/2011 LeMay D23/388
D636,482 S * 4/2011 LeMay D23/388
D821,558 S * 6/2018 D'Amico D23/367

* cited by examiner

Primary Examiner — Gino Colan

Assistant Examiner — David OBrien

(74) *Attorney, Agent, or Firm* — McHale & Slavin, P.A.

(57) **CLAIM**

The ornamental design for an air freshener, as shown and described.

DESCRIPTION

FIG. 1 is a top front left perspective view of the air freshener of the present invention;

FIG. 2 is a front view thereof;

FIG. 3 is a rear view thereof;

FIG. 4 is a left side view thereof;

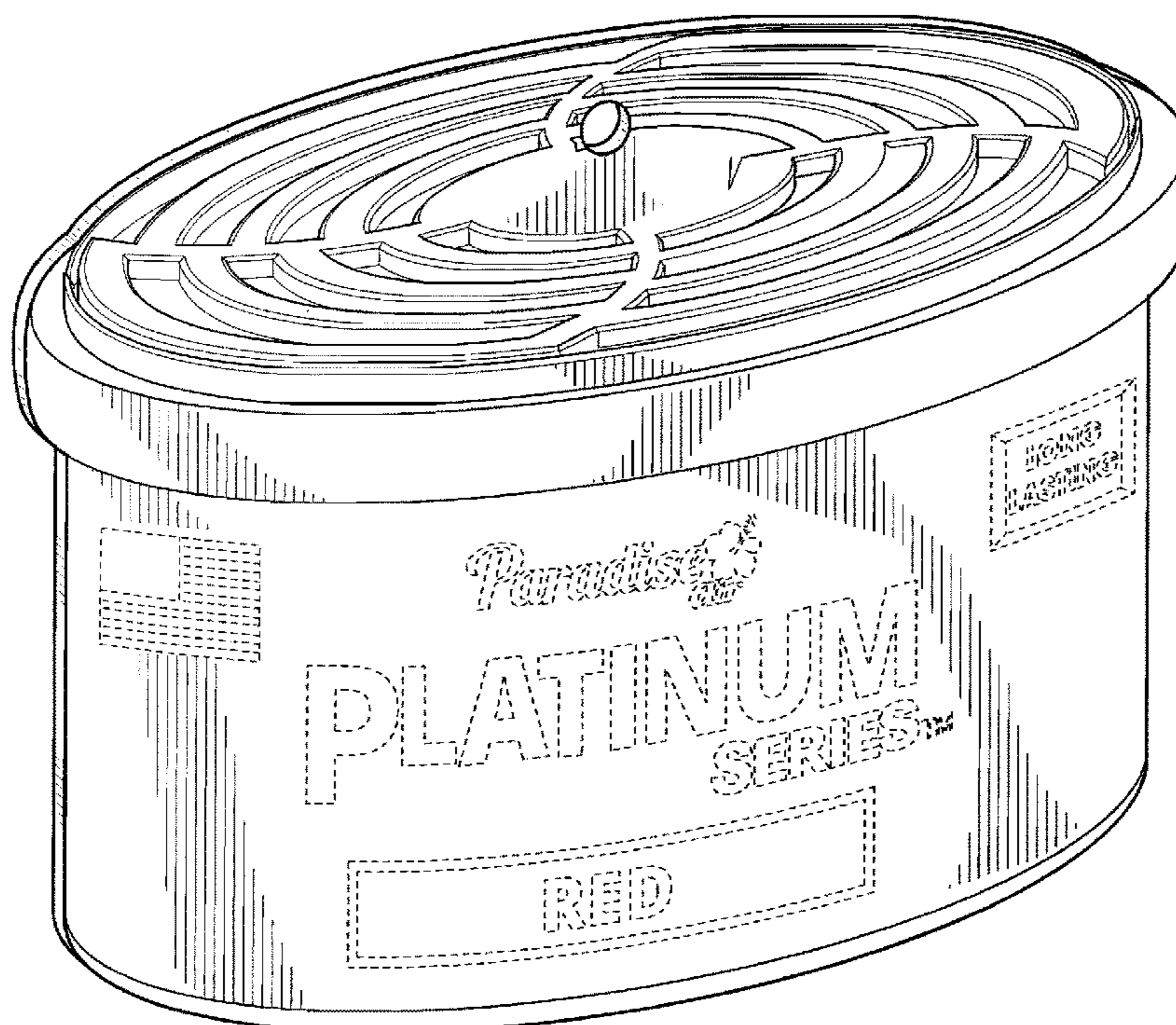
FIG. 5 is a right side view thereof;

FIG. 6 is a top view thereof; and,

FIG. 7 is a bottom view thereof.

The broken lines shown in the figures are for the purpose of illustrating portions of the air freshener and form no part of the claimed design.

1 Claim, 5 Drawing Sheets



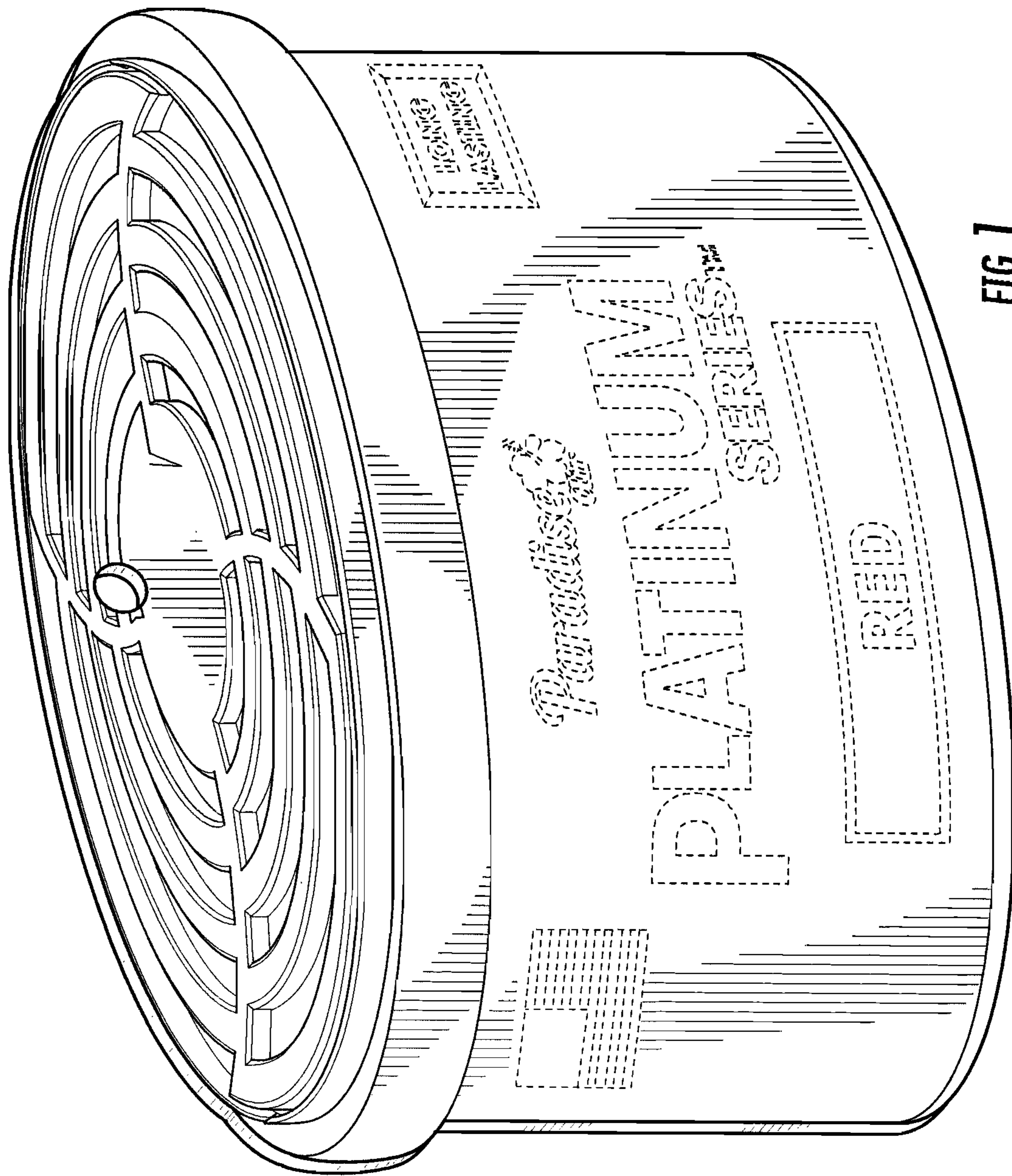


FIG. 7

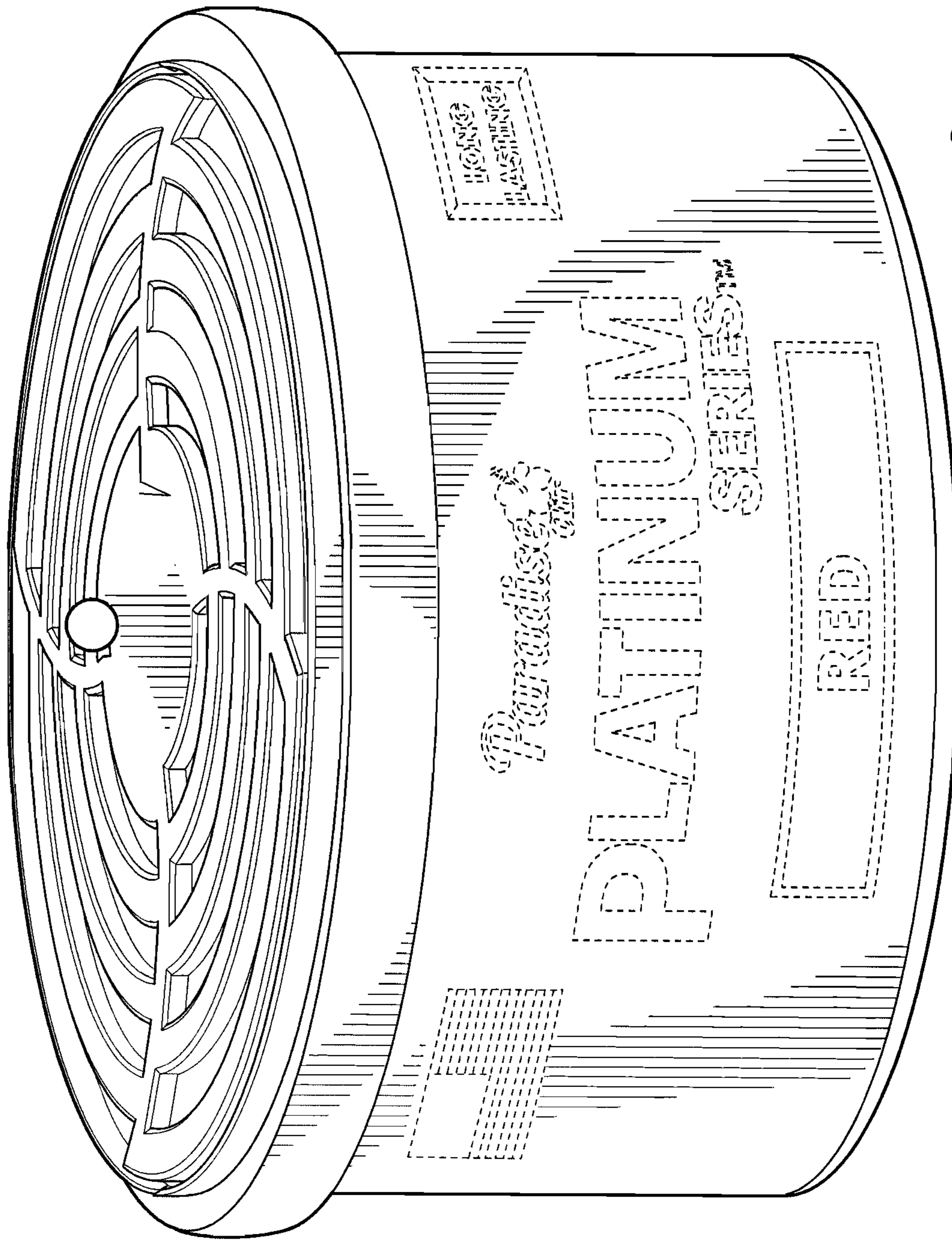


FIG. 2

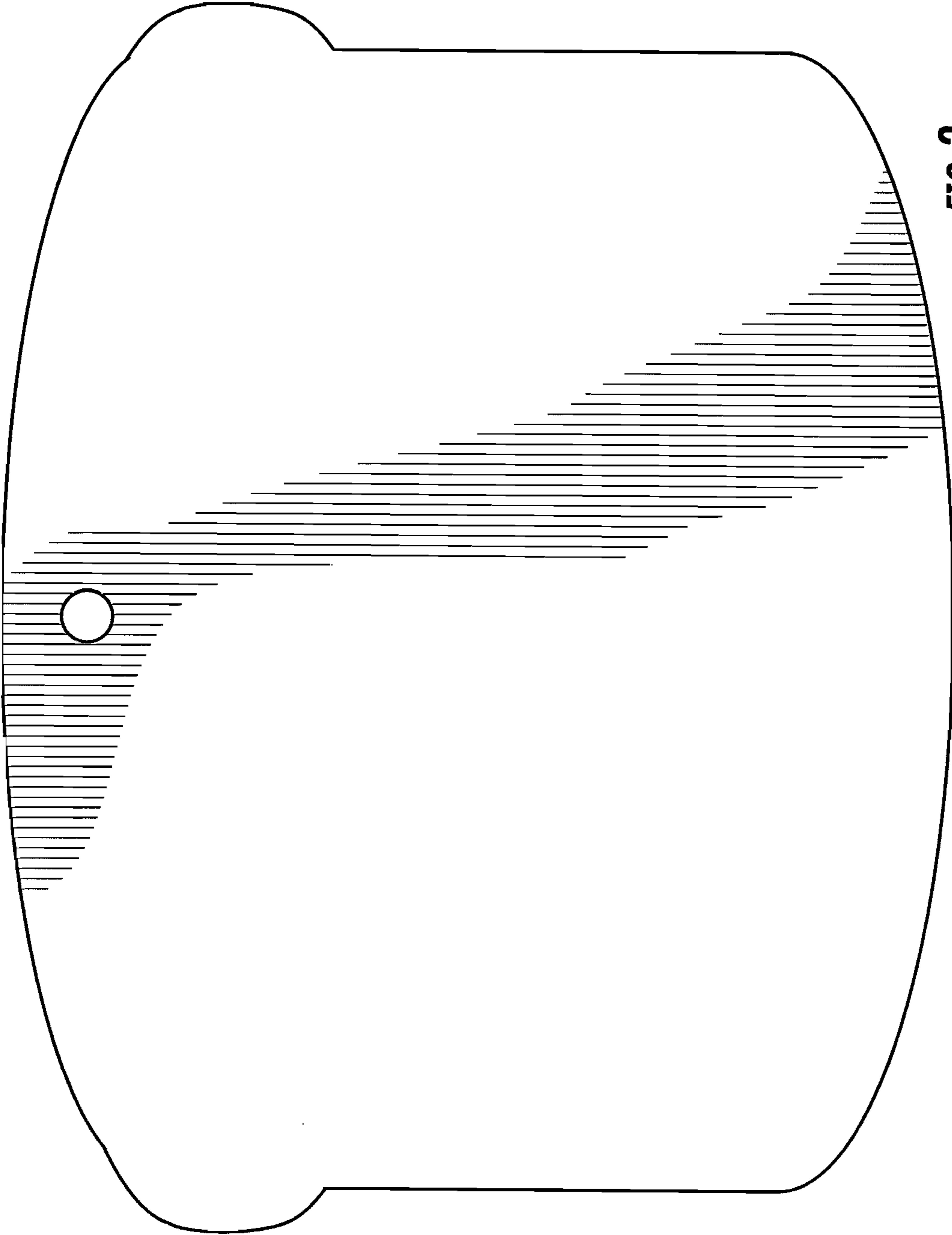


FIG. 3



FIG. 5

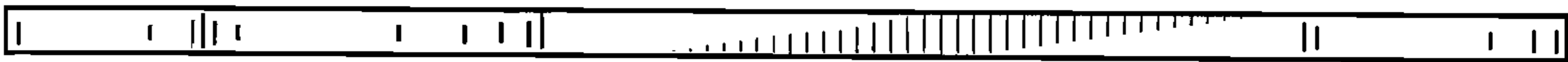


FIG. 4

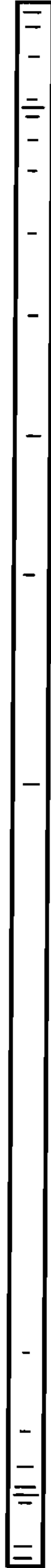


FIG. 6

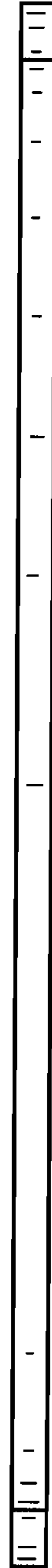


FIG. 7