



US00D969985S

(12) **United States Design Patent**  
**Yin**

(10) **Patent No.:** **US D969,985 S**

(45) **Date of Patent:** **\*\* Nov. 15, 2022**

(54) **HUMIDIFIER**

(71) Applicant: **Aicheng Yin**, Changning (CN)

(72) Inventor: **Aicheng Yin**, Changning (CN)

(\*\*) Term: **15 Years**

(21) Appl. No.: **29/777,914**

(22) Filed: **Apr. 9, 2021**

(51) **LOC (13) Cl.** ..... **23-04**

(52) **U.S. Cl.**  
USPC ..... **D23/356**

(58) **Field of Classification Search**  
USPC ..... D23/355-366, 352, 369, 332, 333, 335,  
D23/336, 342, 351  
CPC .. A61L 9/16; A61L 9/22; B01D 47/00; B01D  
47/027; B01D 2221/02; B01D 2259/4508;  
B03C 3/155; B03C 3/368; F24F 3/16;  
F24F 13/20; F24F 13/28  
See application file for complete search history.

(56) **References Cited**

**U.S. PATENT DOCUMENTS**

D886,975 S *	6/2020	Yang	.....	D23/364
D919,064 S *	5/2021	Wang	.....	D23/356
D931,432 S *	9/2021	Baillie	.....	D23/356
D932,606 S *	10/2021	Wang	.....	D23/356
D935,593 S *	11/2021	Andres	.....	D23/366
D948,018 S *	4/2022	Li	.....	D23/364

D952,816 S *	5/2022	He	.....	D23/364
D952,817 S *	5/2022	Han	.....	D23/364
D953,509 S *	5/2022	Yan	.....	D23/364
D956,198 S *	6/2022	Zuo	.....	D23/364
D956,199 S *	6/2022	Zuo	.....	D23/364

\* cited by examiner

*Primary Examiner* — David G Muller

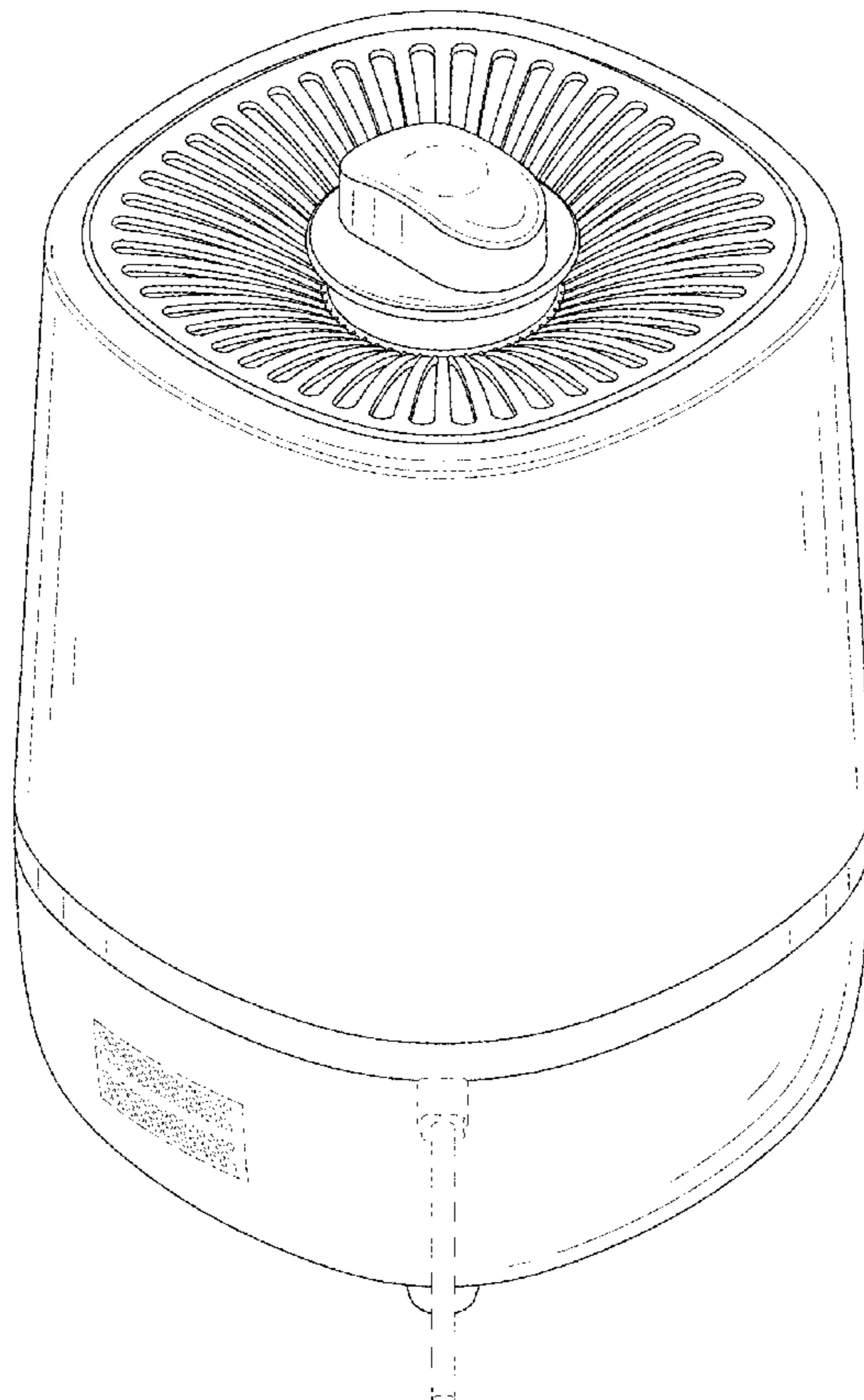
(57) **CLAIM**

The ornamental design for a humidifier, as shown and described.

**DESCRIPTION**

FIG. 1 is a first perspective view of a humidifier showing my new design;  
FIG. 2 is a second perspective view thereof;  
FIG. 3 is a front view thereof;  
FIG. 4 is a back view thereof;  
FIG. 5 is a left side view thereof;  
FIG. 6 is a right side view thereof;  
FIG. 7 is a top view thereof; and,  
FIG. 8 is a bottom view thereof.  
The broken lines shown in the drawings depict portions of the humidifier in which the design is embodied that form no part of the claimed design.

**1 Claim, 8 Drawing Sheets**



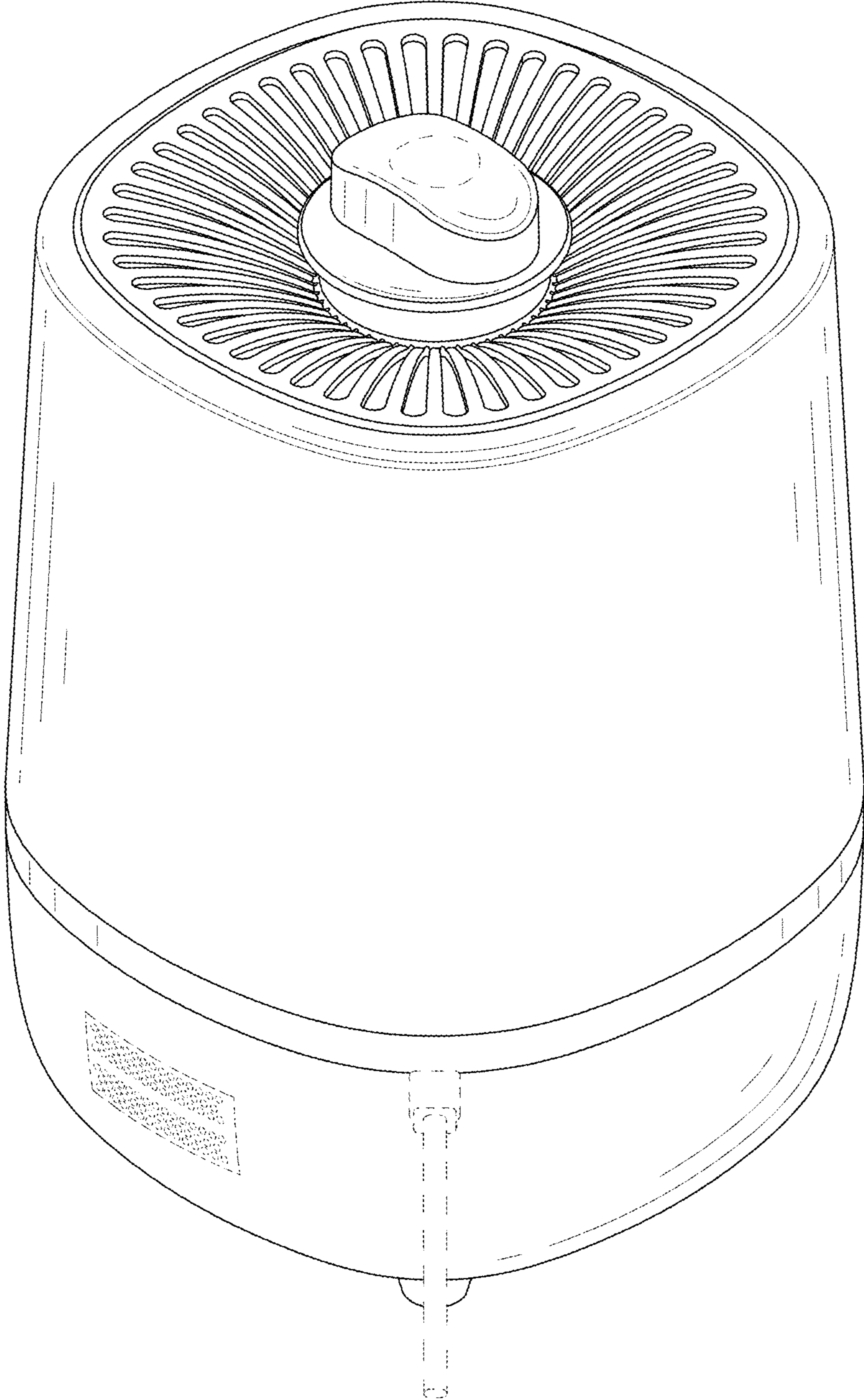


FIG. 1

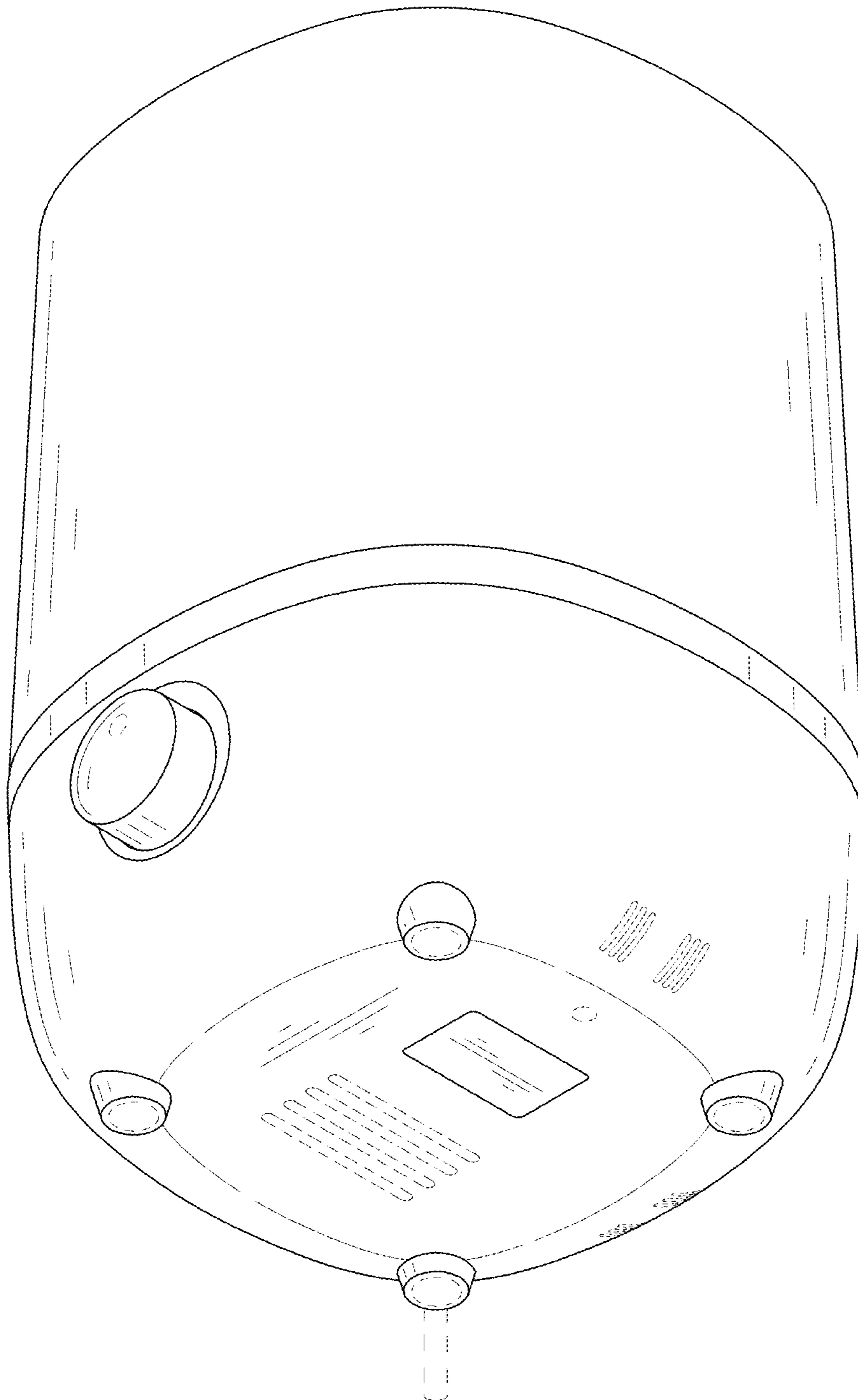


FIG. 2

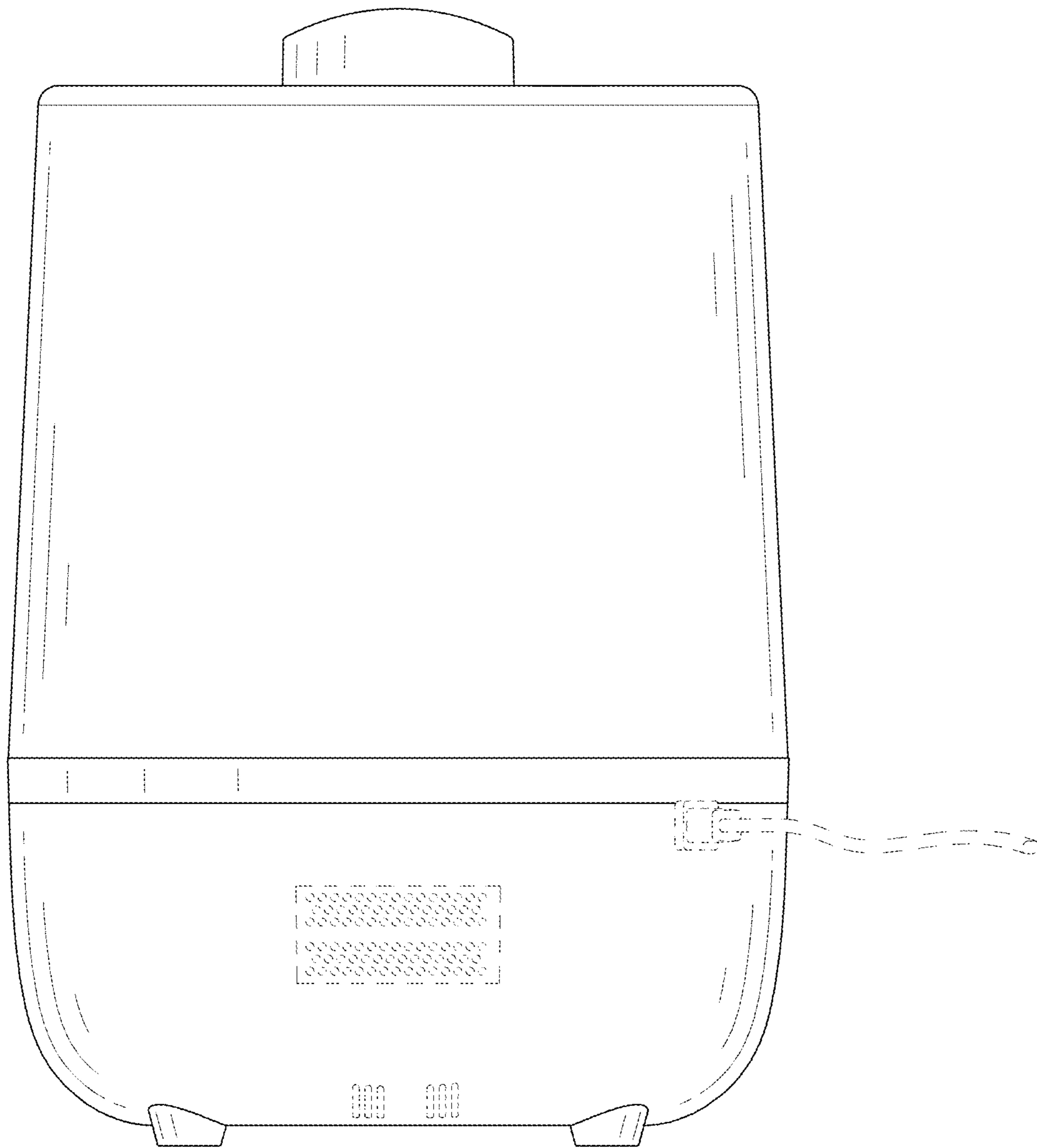


FIG. 3

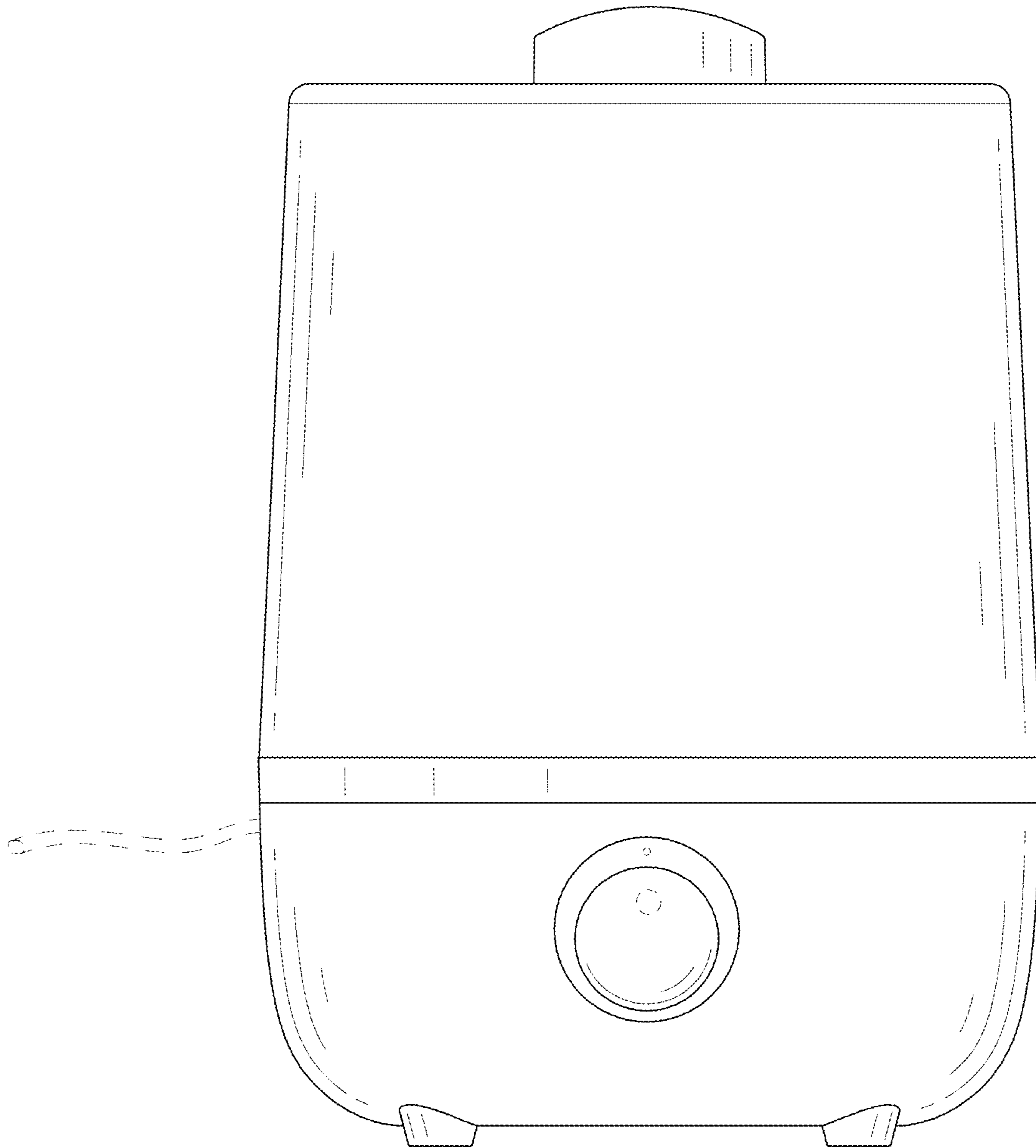


FIG. 4

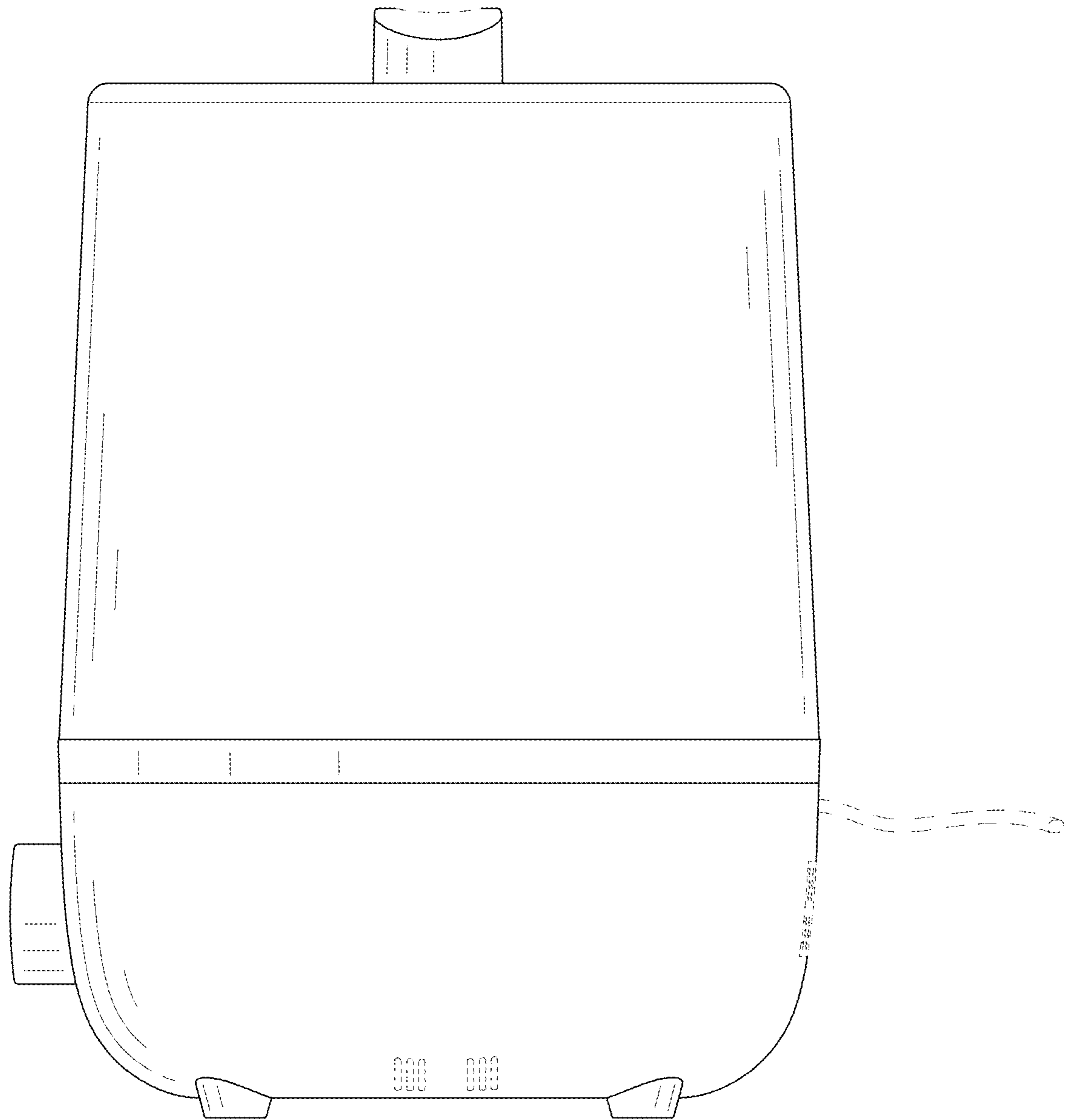


FIG. 5

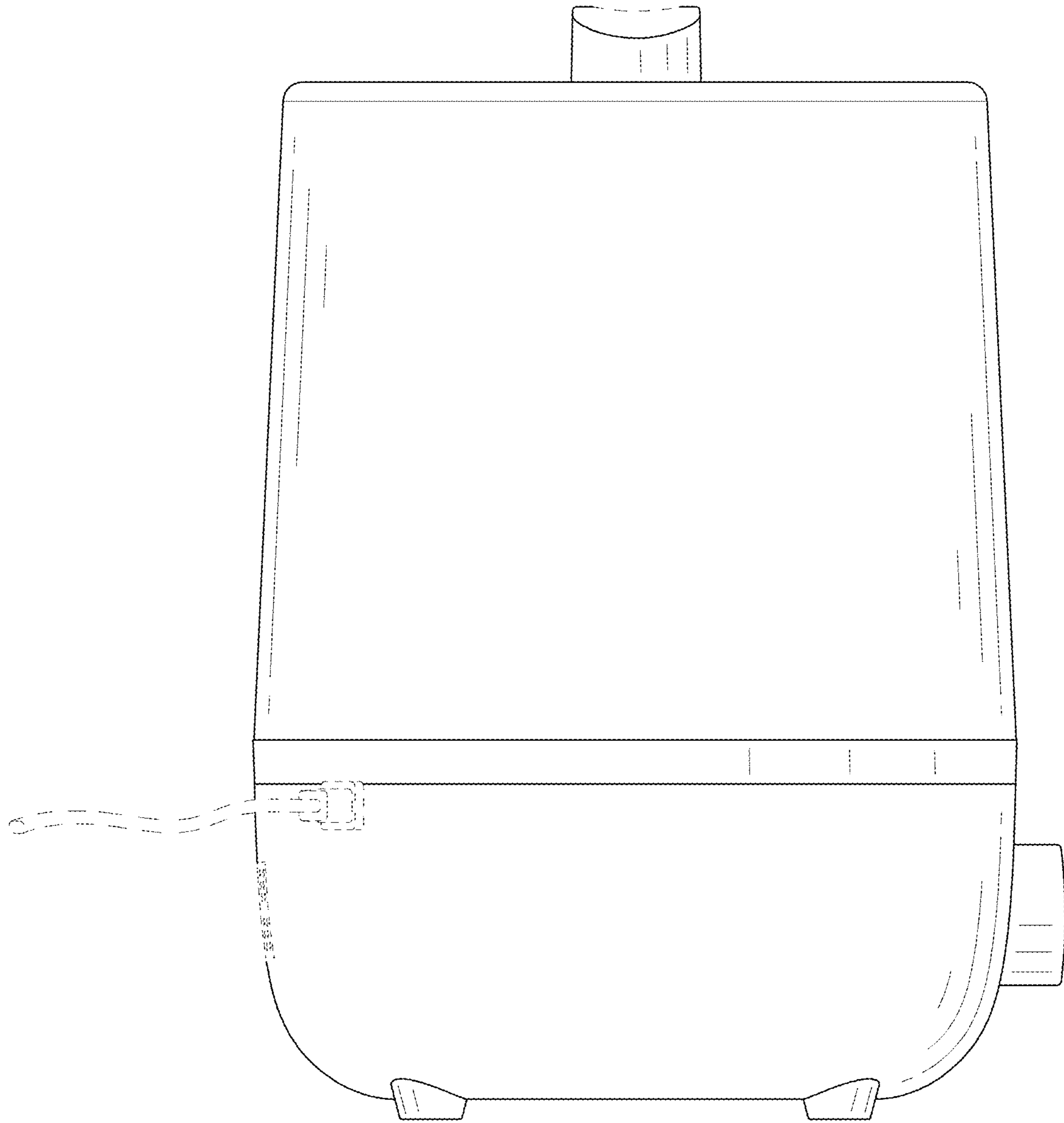


FIG. 6

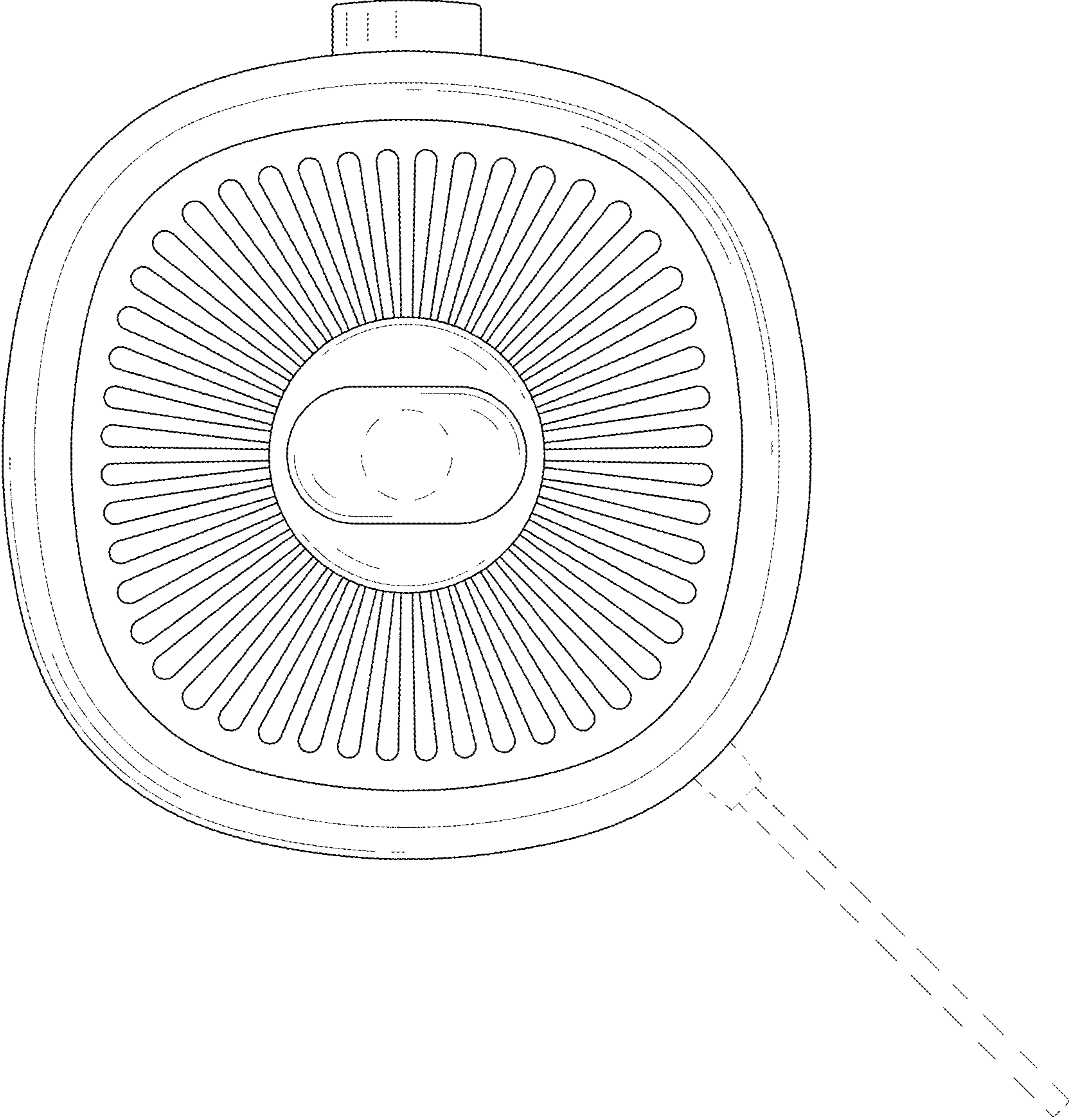


FIG. 7



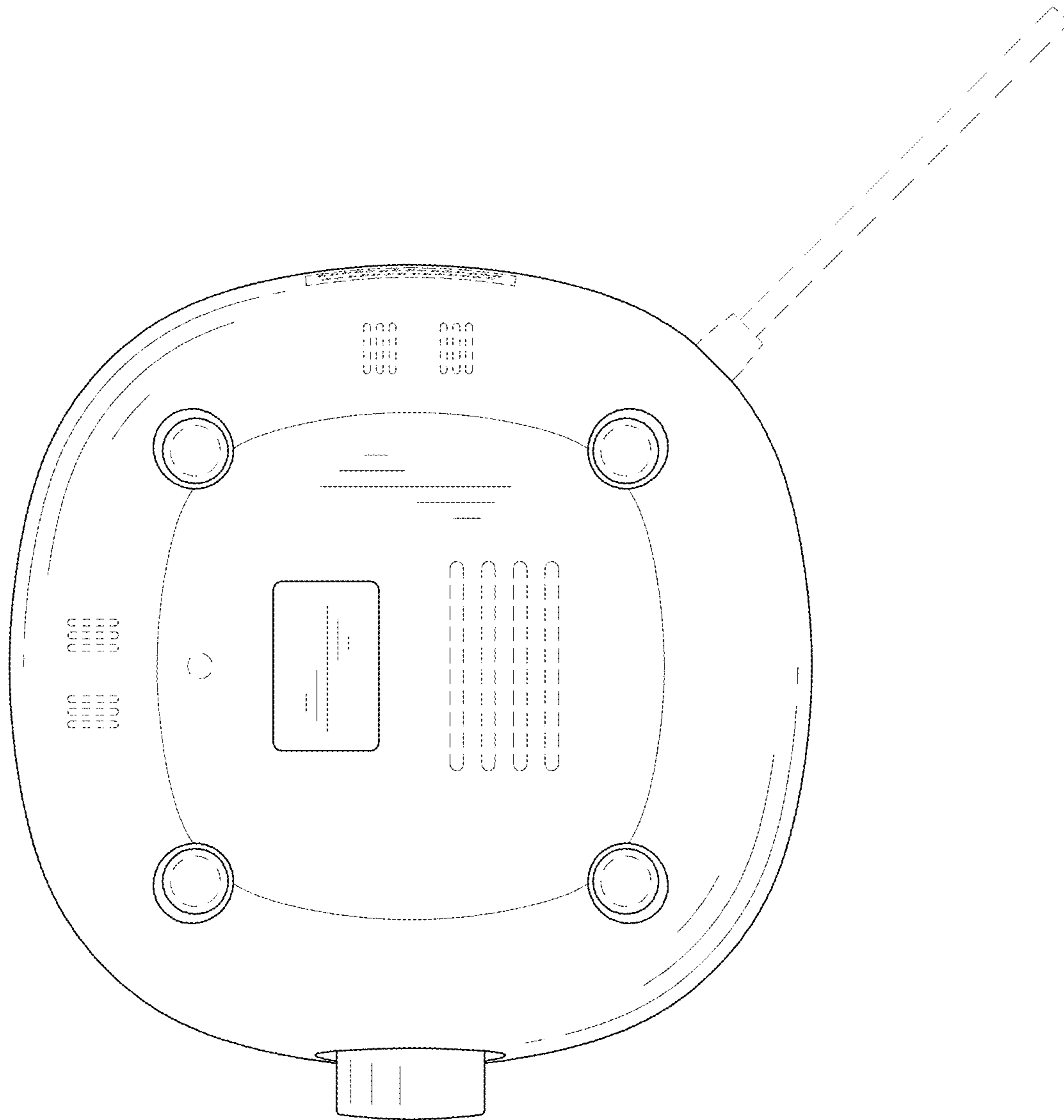


FIG. 8