



US00D969980S

(12) **United States Design Patent**  
**Lerner et al.**

(10) **Patent No.:** **US D969,980 S**  
(45) **Date of Patent:** **\*\* Nov. 15, 2022**

(54) **DEPOSITION CHAMBER SHOWERHEAD**

(71) Applicant: **Applied Materials, Inc.**, Santa Clara, CA (US)

(72) Inventors: **Alexander N. Lerner**, San Jose, CA (US); **Graeme Jamieson Scott**, Sunnyvale, CA (US); **Prashanth Kothnur**, San Jose, CA (US)

(73) Assignee: **Applied Materials, Inc.**, Santa Clara, CA (US)

(\*\*) Term: **15 Years**

(21) Appl. No.: **29/755,418**

(22) Filed: **Oct. 20, 2020**

(51) **LOC (13) Cl.** ..... **23-01**

(52) **U.S. Cl.**  
USPC ..... **D23/261**

(58) **Field of Classification Search**  
USPC ..... D23/207–209, 213, 214, 215, 223, 224,  
D23/226, 229, 230, 261, 262;  
D6/583–585, 592

(Continued)

(56) **References Cited**

**U.S. PATENT DOCUMENTS**

D309,241 S \* 7/1990 Ayyoubi ..... D23/200  
5,813,058 A \* 9/1998 Quigley ..... C11D 9/10  
4/309

(Continued)

**OTHER PUBLICATIONS**

VivaSpring FF-15 Filtered Shower Head Replacement Cartridge, Aug. 5, 2017, amazon.ca, Jun. 4, 2022, URL: <https://www.amazon.ca/VivaSpring-FF-15-Replacement-Cartridge-Filtration/dp/B073WP1KPK/> (Year: 2017).\*

(Continued)

*Primary Examiner* — Keith J Wilson

(74) *Attorney, Agent, or Firm* — Patterson + Sheridan, LLP

(57) **CLAIM**

The ornamental design for a deposition chamber showerhead, as shown and described.

**DESCRIPTION**

FIG. 1 is an isometric top side view of a deposition chamber showerhead for a substrate processing system.

FIG. 2 is an isometric bottom side view thereof.

FIG. 3 is a top plan view thereof.

FIG. 4 is a bottom plan view thereof.

FIG. 5 is a first side view thereof taken along line 5-5 of FIG. 3.

FIG. 6 is a second side view thereof taken along line 6-6 of FIG. 3.

FIG. 7 is a third side view thereof taken along line 7-7 of FIG. 3.

FIG. 8 is a fourth side view thereof taken along line 8-8 of FIG. 3.

FIG. 9 is a fifth side view thereof taken along line 9-9 of FIG. 1.

FIG. 10 is another front isometric top view thereof assembled with three additional deposition chamber showerheads.

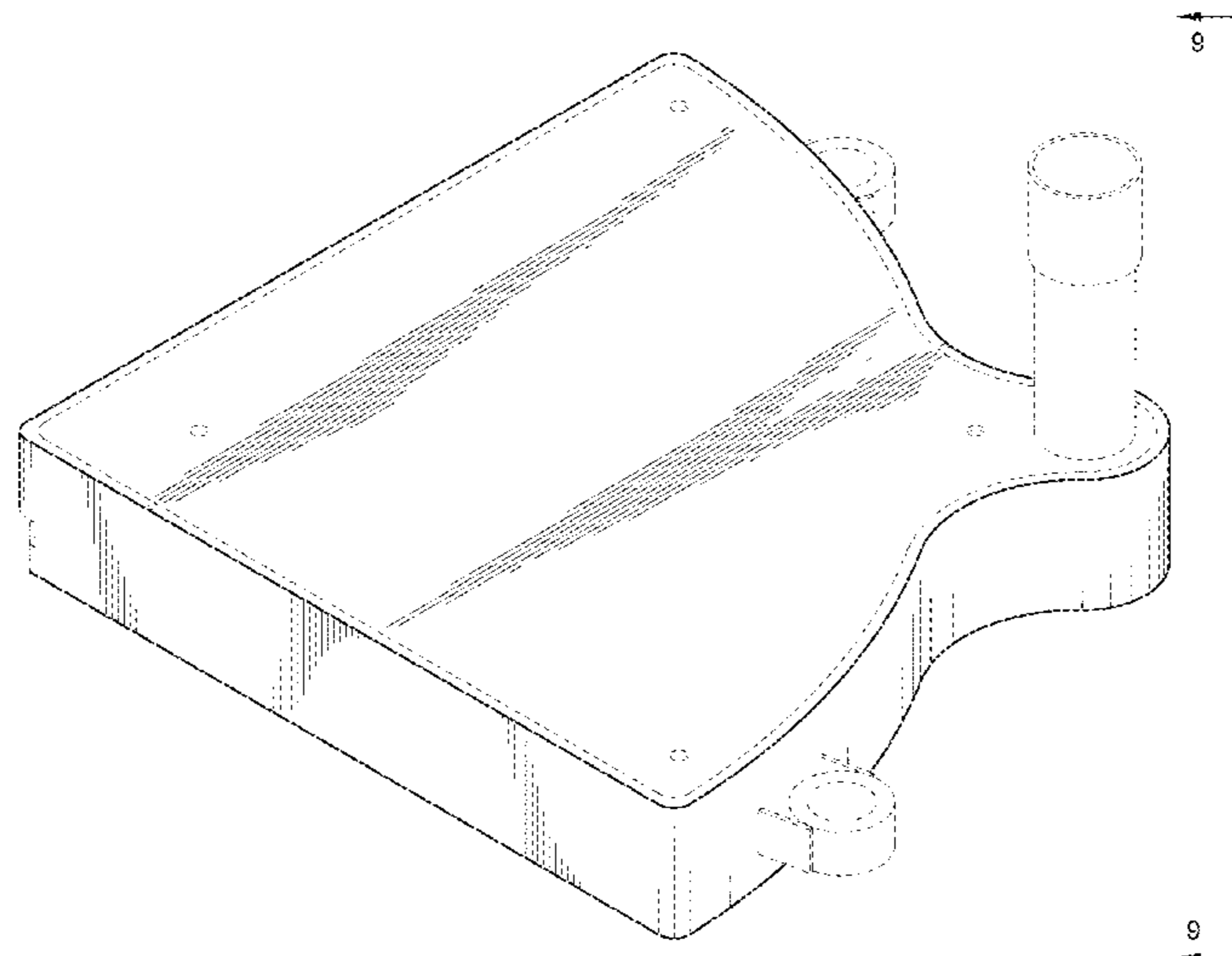
FIG. 11 is another top plan view thereof assembled with the three additional deposition chamber showerheads.

FIG. 12 is another side isometric bottom view thereof assembled with three additional deposition chamber showerheads; and,

FIG. 13 is another bottom plan view thereof assembled with the three additional deposition chamber showerheads.

The broken lines shown in FIGS. 10-13 show an environment in which the deposition chamber showerhead can be positioned that forms no part of the claimed design. All other broken lines shown in FIGS. 1-13 illustrate portions of the deposition chamber showerhead that form no part of the claimed design.

**1 Claim, 13 Drawing Sheets**



(58) **Field of Classification Search**

CPC ..... A61H 9/0021; A61H 33/00; B05B 1/00;  
 B05B 1/14; B05B 1/185; B05B 1/08;  
 B05B 1/02; B05B 1/26; B05B 12/002;  
 B05B 1/18; B05B 9/01

See application file for complete search history.

(56) **References Cited**

U.S. PATENT DOCUMENTS

D410,281 S \* 5/1999 Walker ..... D23/309  
 D464,122 S \* 10/2002 Mangan ..... D23/261  
 6,983,892 B2 1/2006 Noorbakhsh et al.  
 D520,610 S \* 5/2006 Wrate ..... E03D 13/005  
 D4/130  
 7,658,800 B2 2/2010 Chen et al.  
 D706,303 S \* 6/2014 Woo ..... D14/502  
 8,856,977 B2 \* 10/2014 Ramirez ..... E03D 13/00  
 4/309  
 9,243,394 B2 \* 1/2016 Brown ..... E03D 13/00  
 D754,487 S \* 4/2016 Gascoine ..... D7/629  
 9,464,353 B2 10/2016 Park et al.  
 D771,024 S \* 11/2016 Epstein ..... D14/242  
 D785,131 S \* 4/2017 Cimino ..... D23/200  
 D790,039 S 6/2017 Hawrylchak et al.  
 D793,526 S 8/2017 Behdjat

9,934,979 B2 4/2018 Kang et al.  
 D889,599 S \* 7/2020 Moldthan ..... D23/213  
 D896,928 S \* 9/2020 Day ..... D6/583  
 D900,981 S \* 11/2020 Tafoya ..... D23/207  
 D910,260 S \* 2/2021 Xie ..... D7/354  
 10,973,942 B2 \* 4/2021 Joshi ..... A61L 9/042  
 D922,540 S \* 6/2021 Meyers ..... D23/261  
 D923,154 S \* 6/2021 Wright ..... D23/261  
 D942,594 S \* 2/2022 Smerdon ..... D23/261  
 D952,804 S \* 5/2022 Hair ..... D15/7  
 2003/0140851 A1 7/2003 Janakiraman et al.  
 2012/0100307 A1 \* 4/2012 Aida ..... H01J 37/32449  
 118/723 R  
 2014/0007336 A1 \* 1/2014 Mills ..... E03D 13/005  
 4/300.3  
 2018/0258532 A1 \* 9/2018 Kato ..... C23C 16/45565  
 2019/0211450 A1 \* 7/2019 Adachi ..... H01L 21/02274  
 2020/0385851 A1 12/2020 Lerner et al.

OTHER PUBLICATIONS

Xuanmuque Shower Non-Slip Silicone Triangle Bath Mat, Mar. 20,  
 2020, amazon.ca, Jun. 4, 2022, URL: <https://www.amazon.ca/Xuanmuque-Non-Slip-Silicone-Triangle-Bathroom/dp/B0865RWSQJ/> (Year: 2020).\*

\* cited by examiner

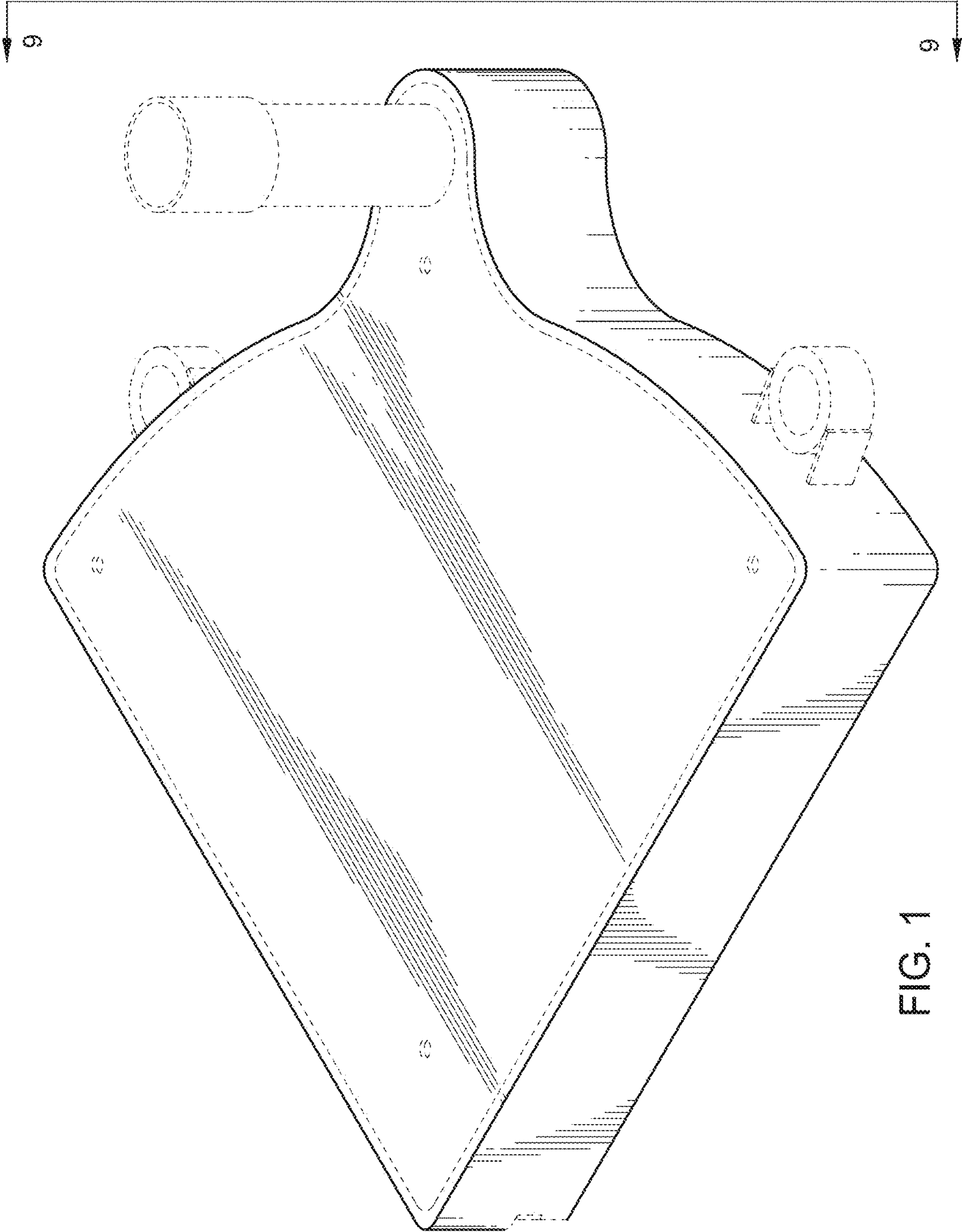


FIG. 1

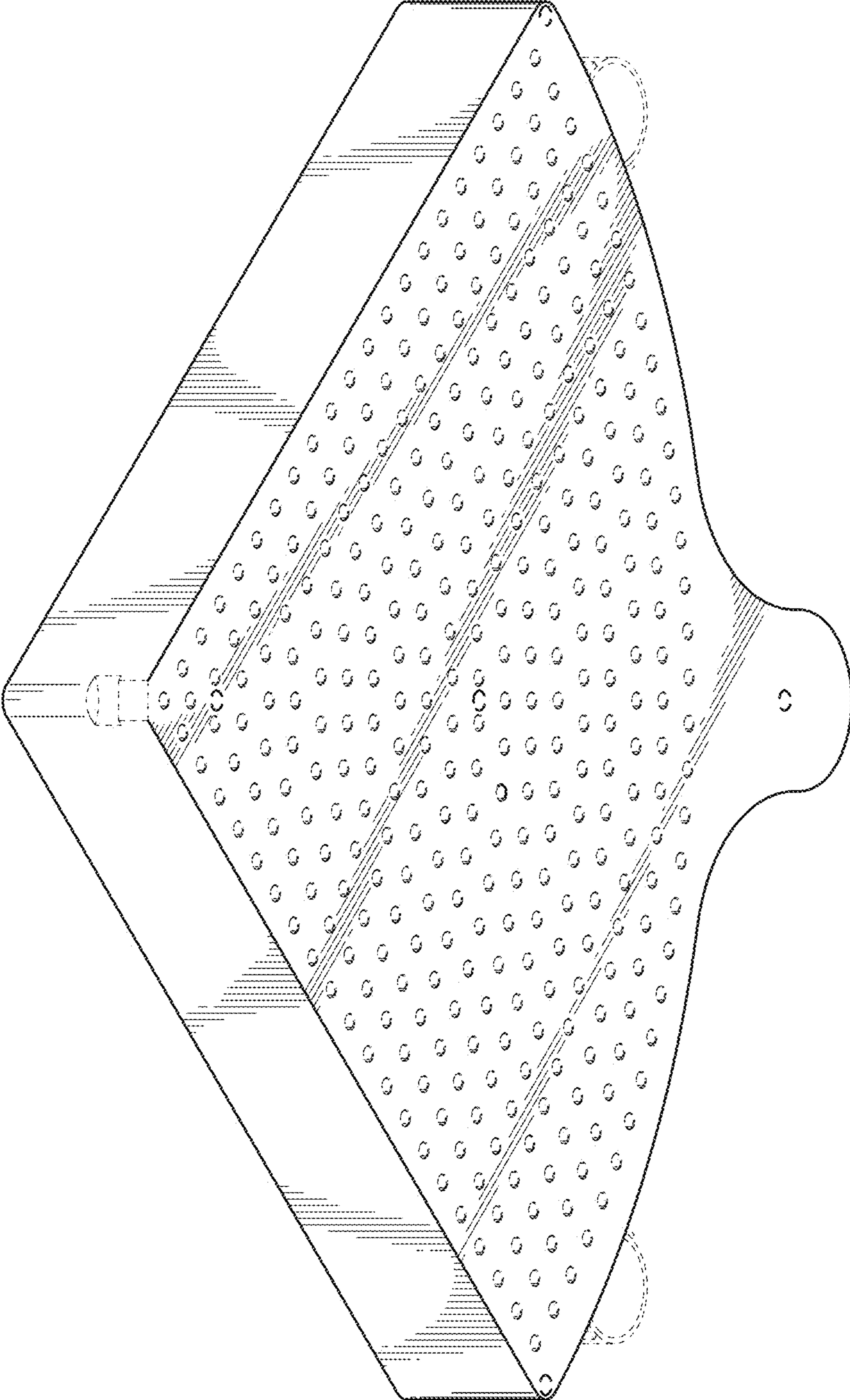


FIG. 2

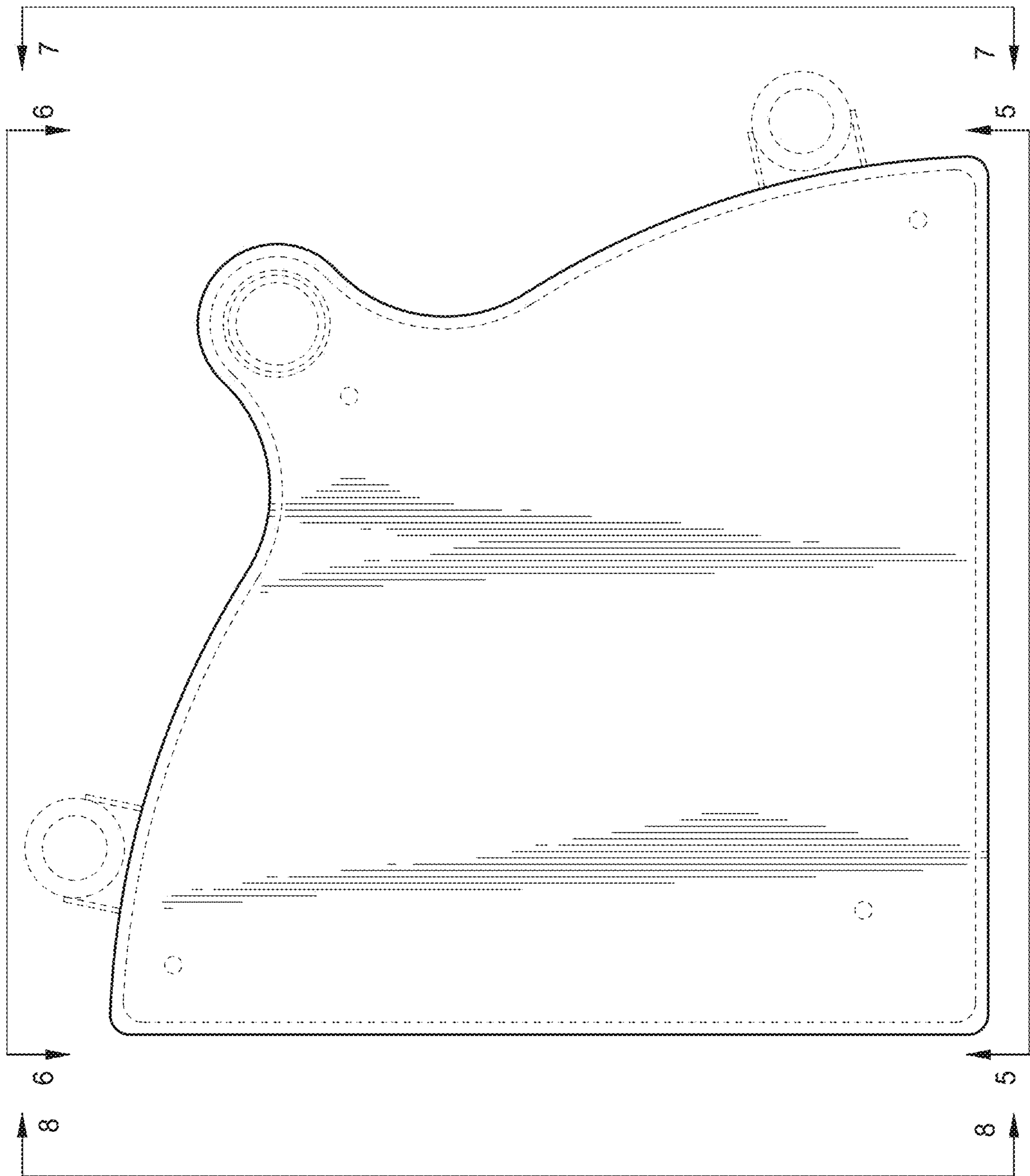


FIG. 3

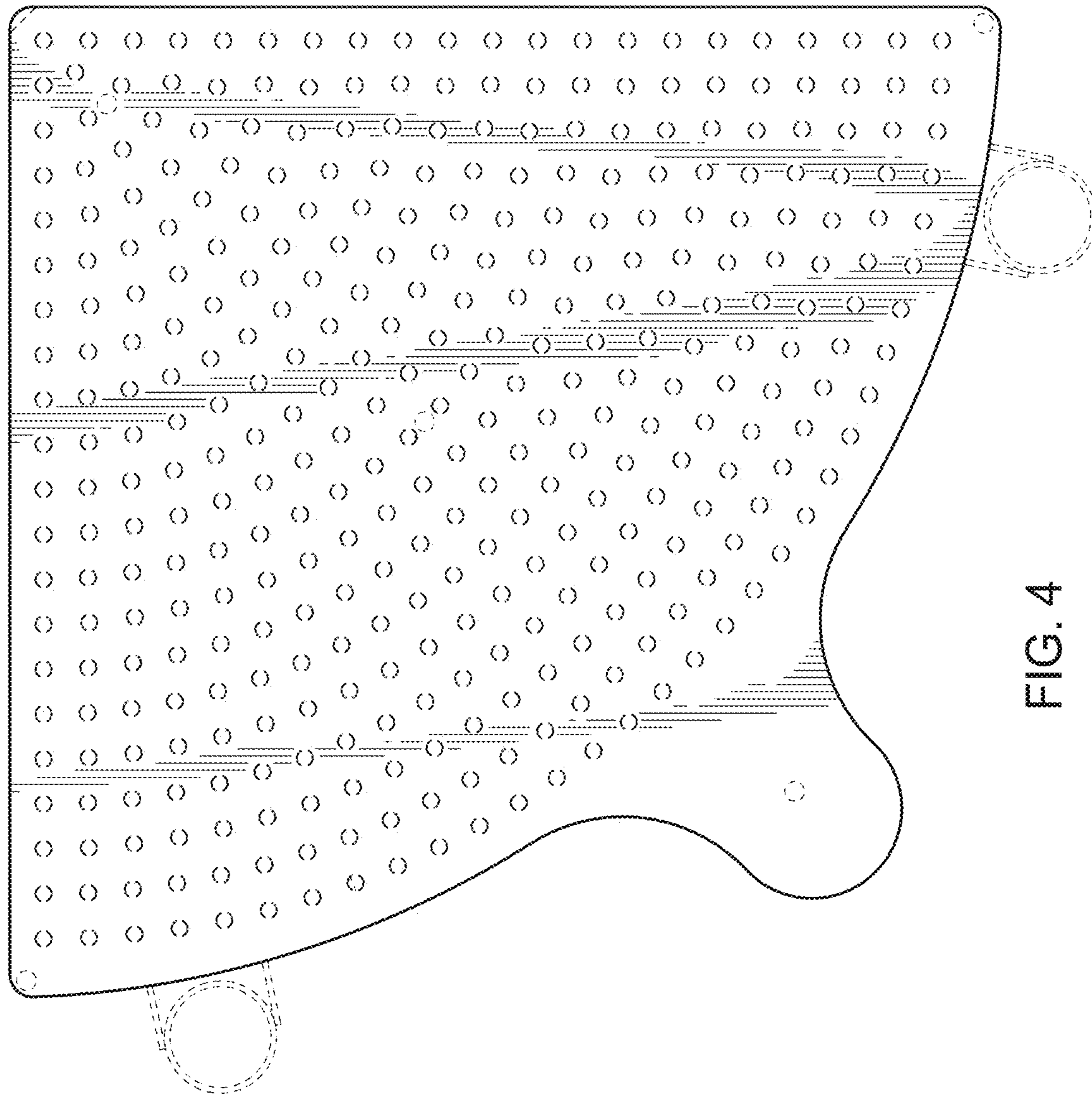


FIG. 4

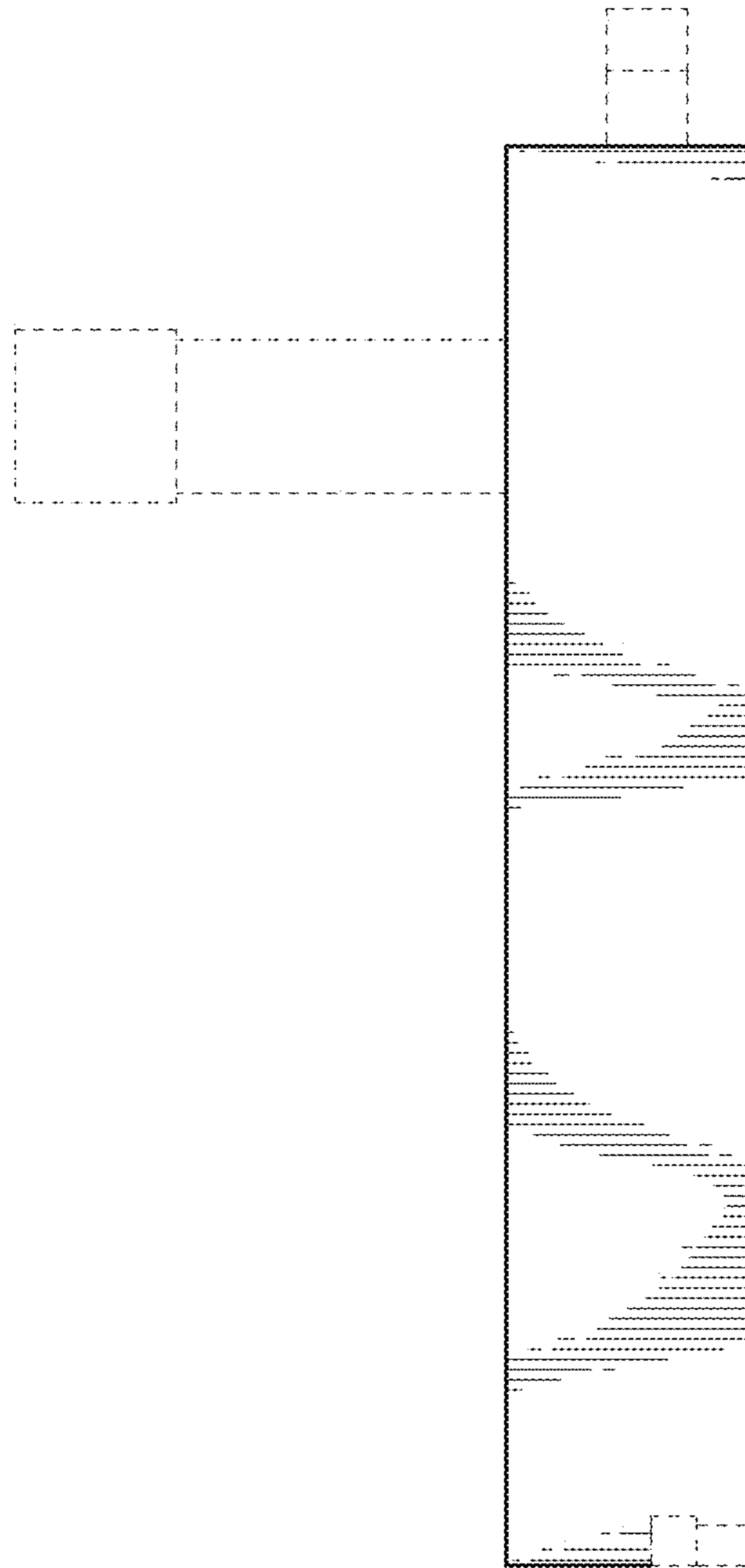


FIG. 5

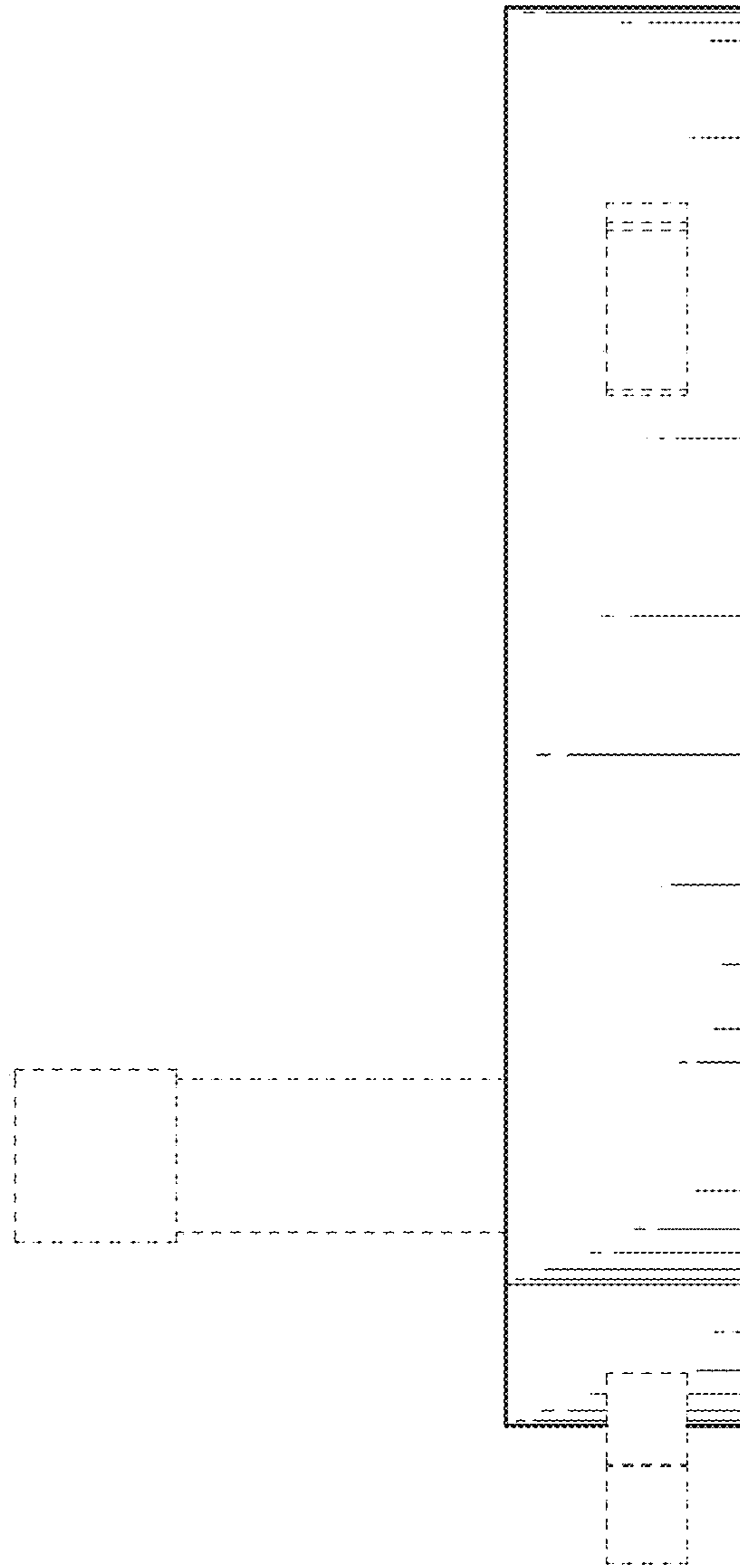


FIG. 6



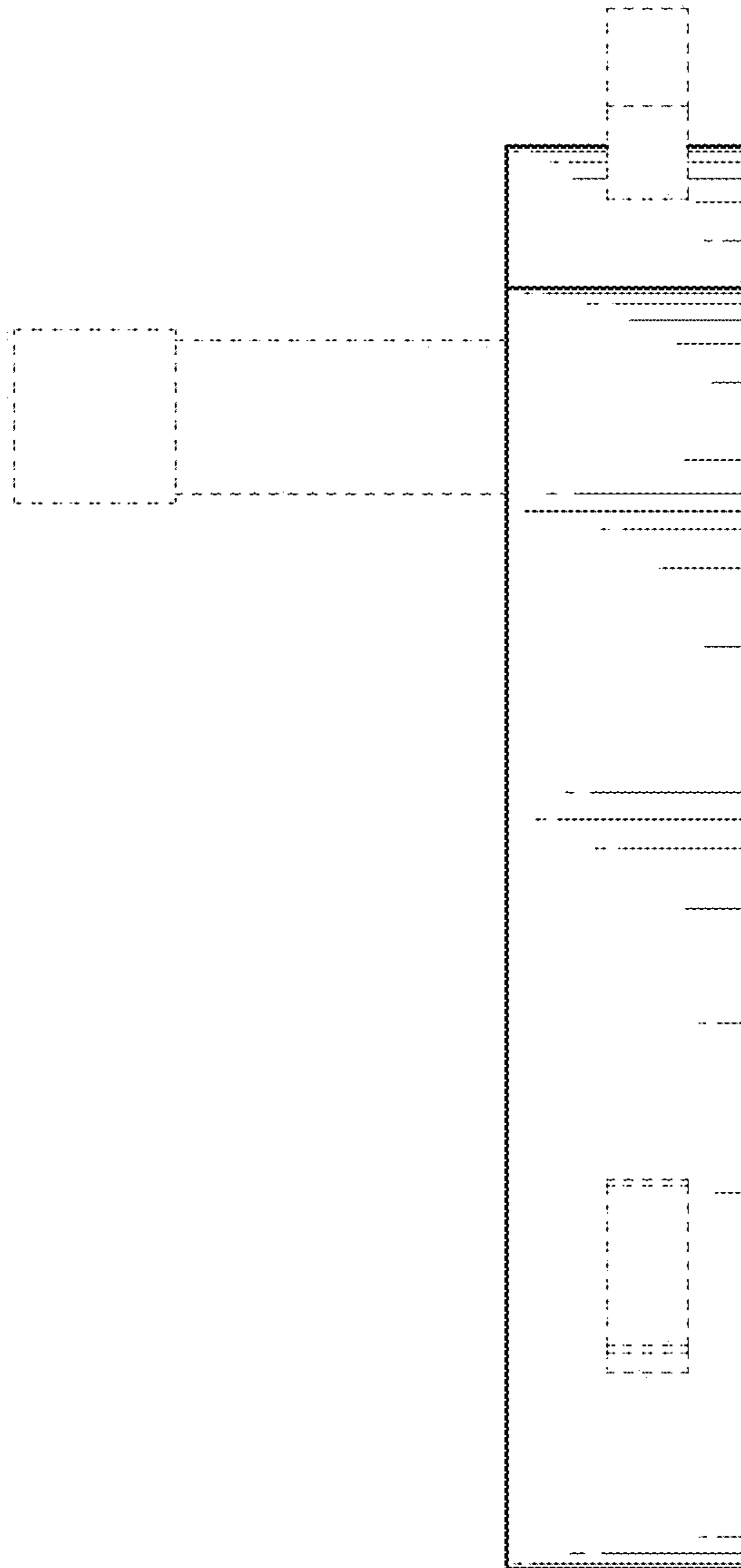


FIG. 7

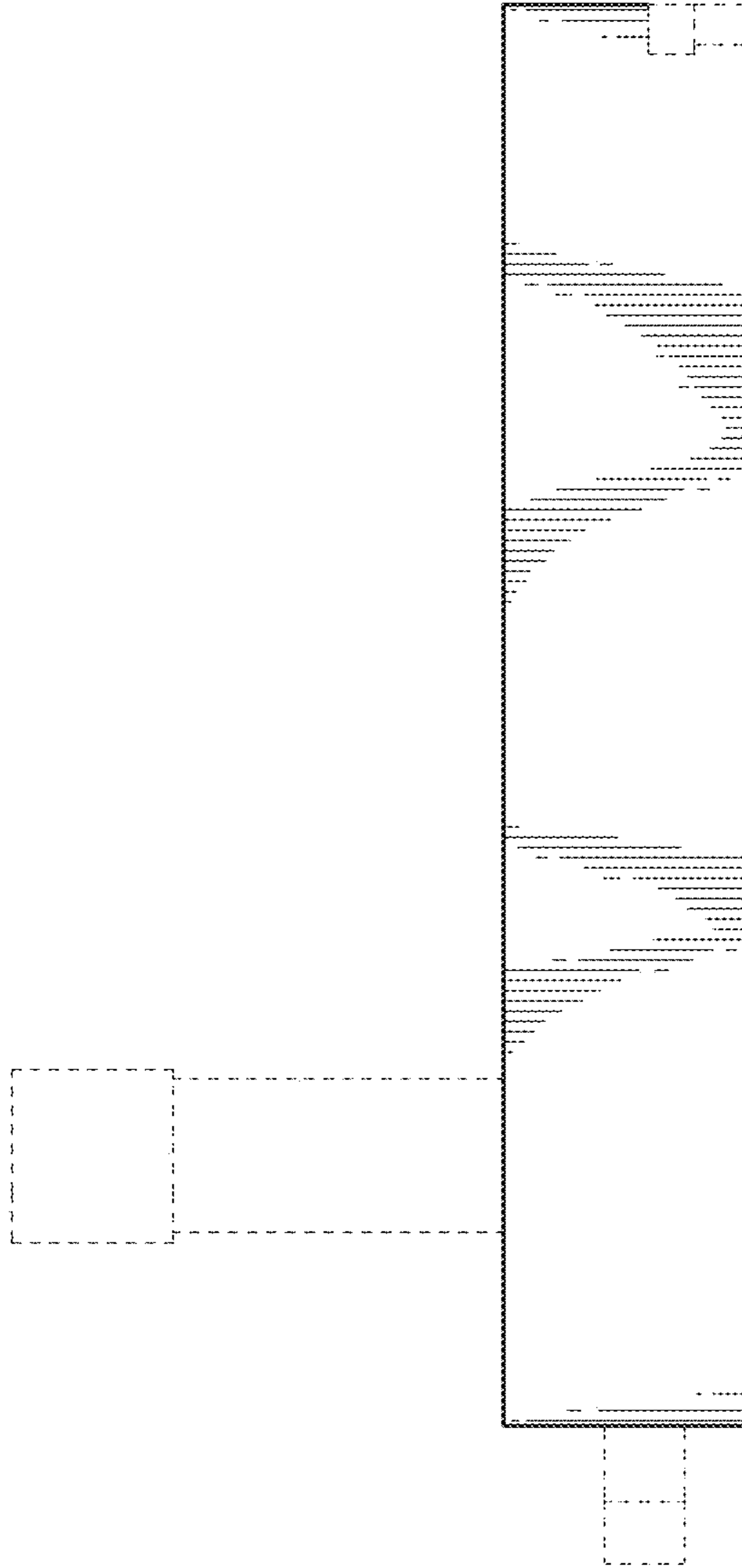


FIG. 8

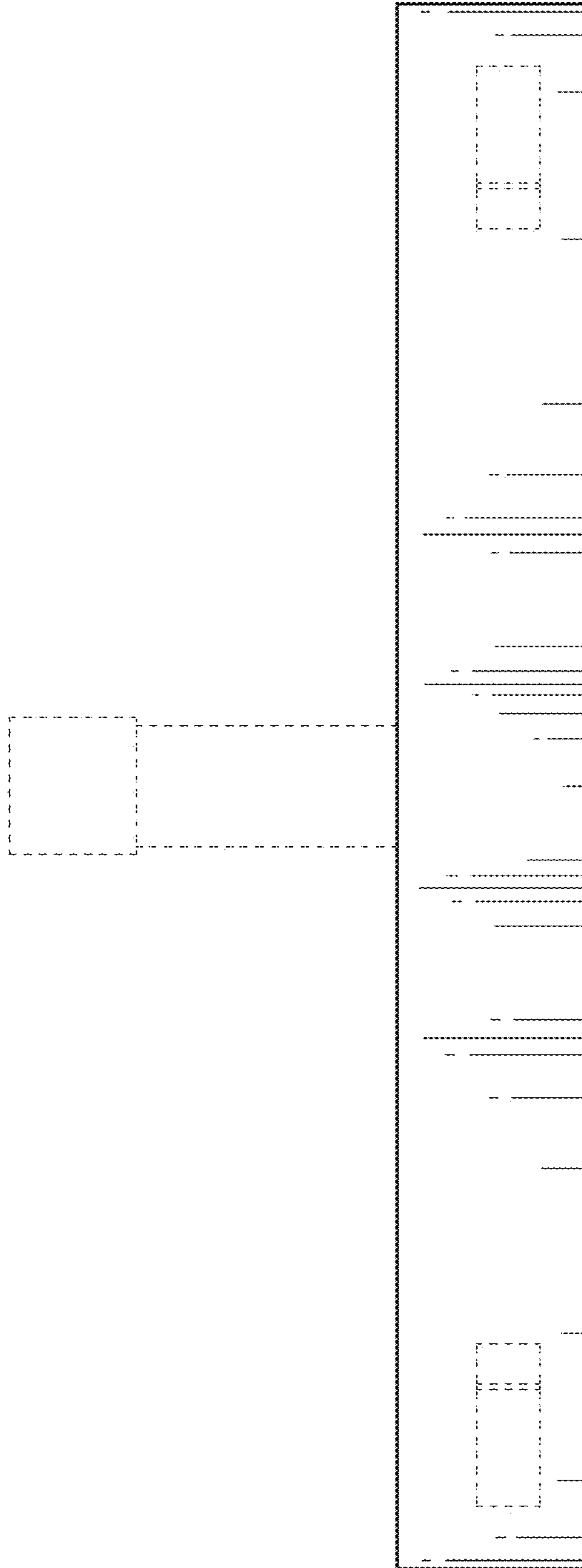


FIG. 9

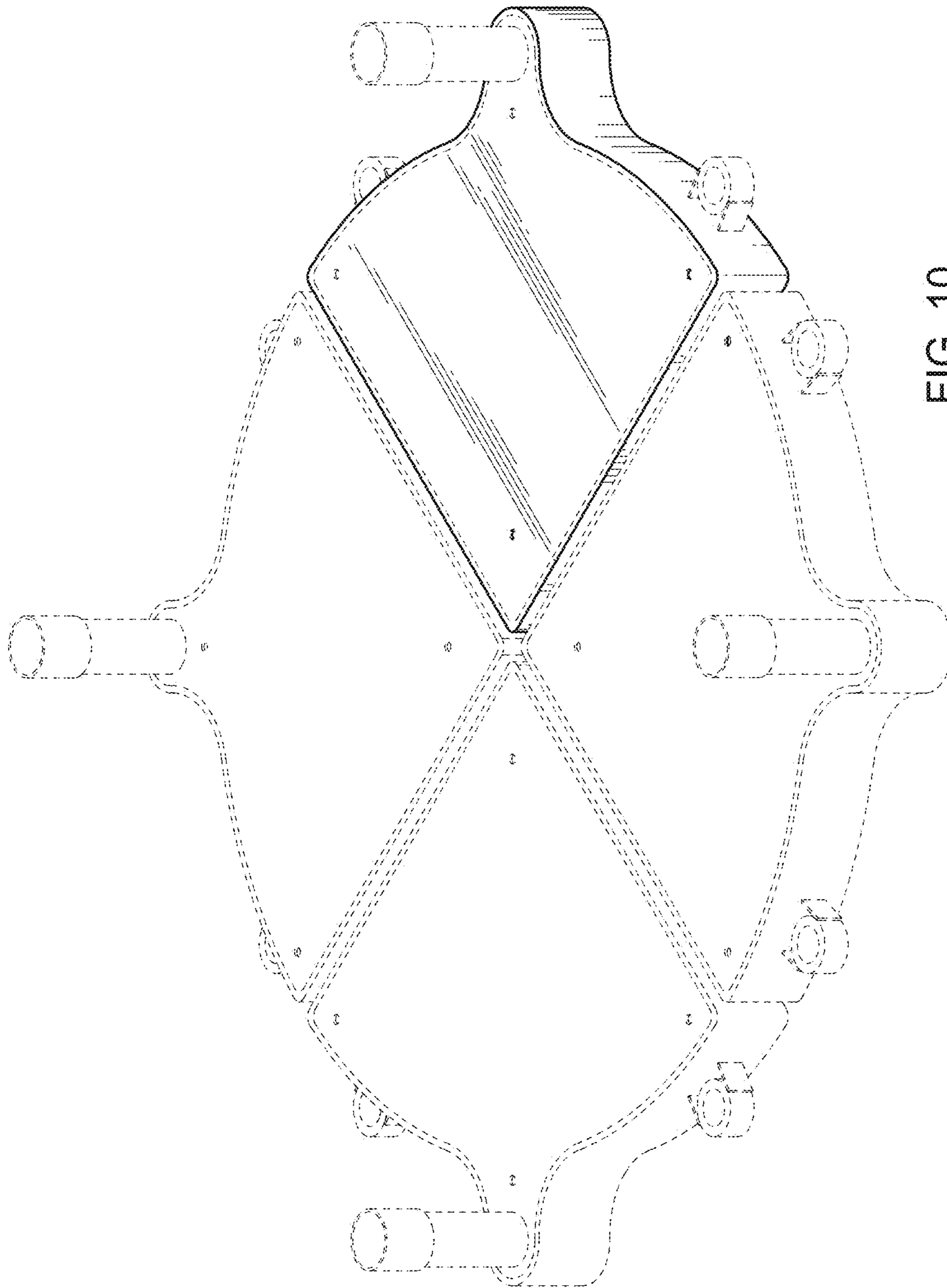


FIG. 10

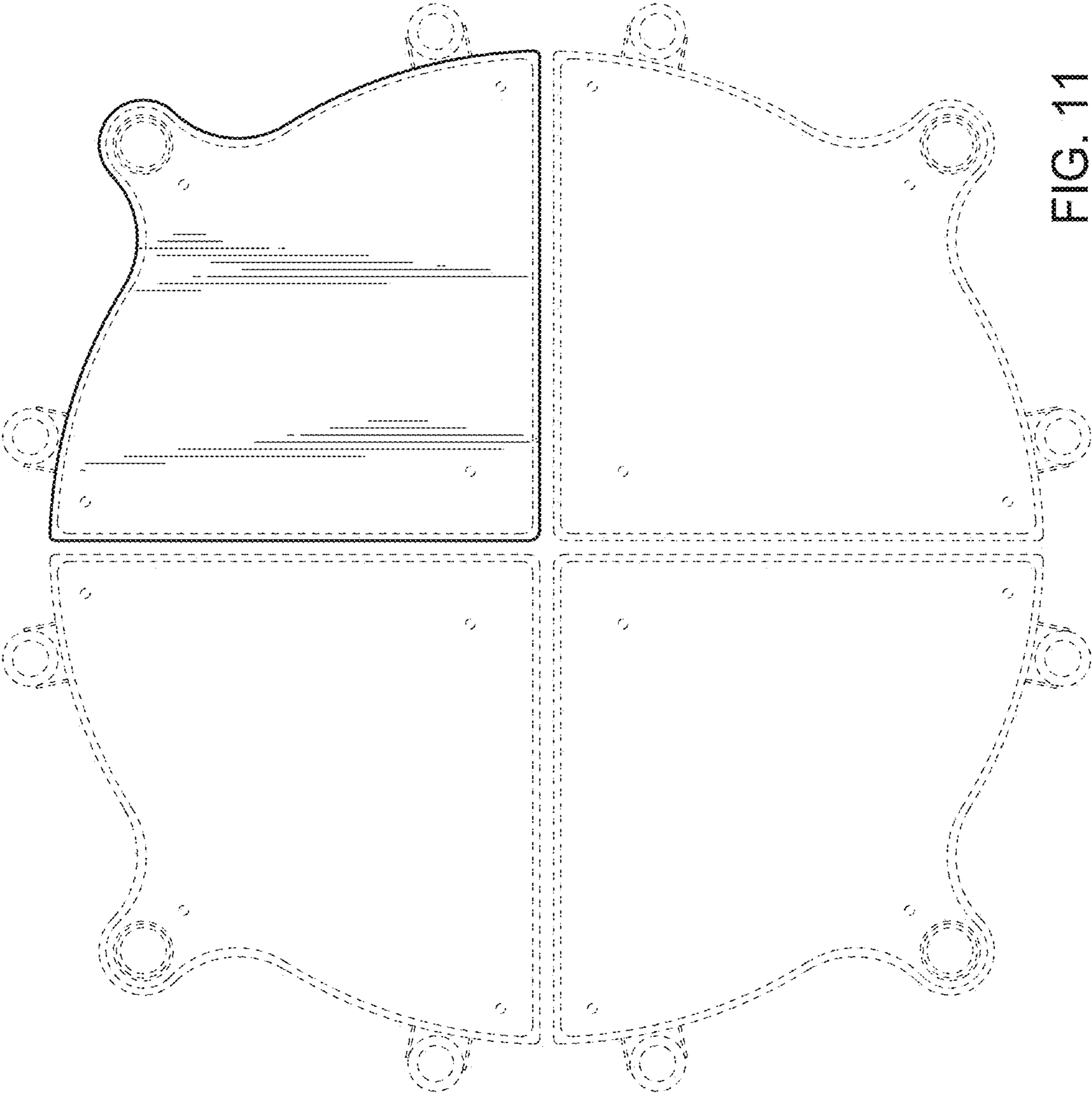


FIG. 11

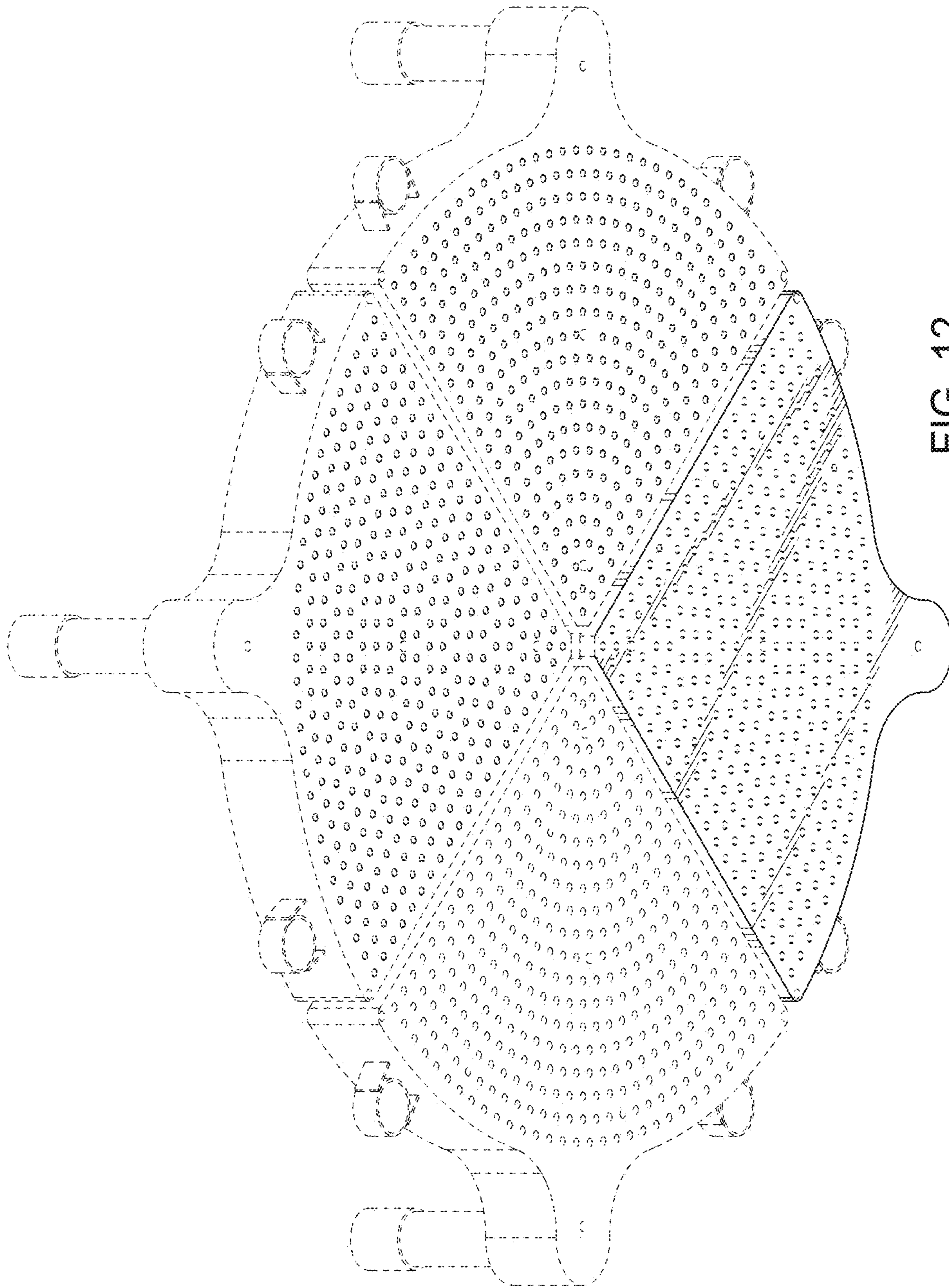


FIG. 12

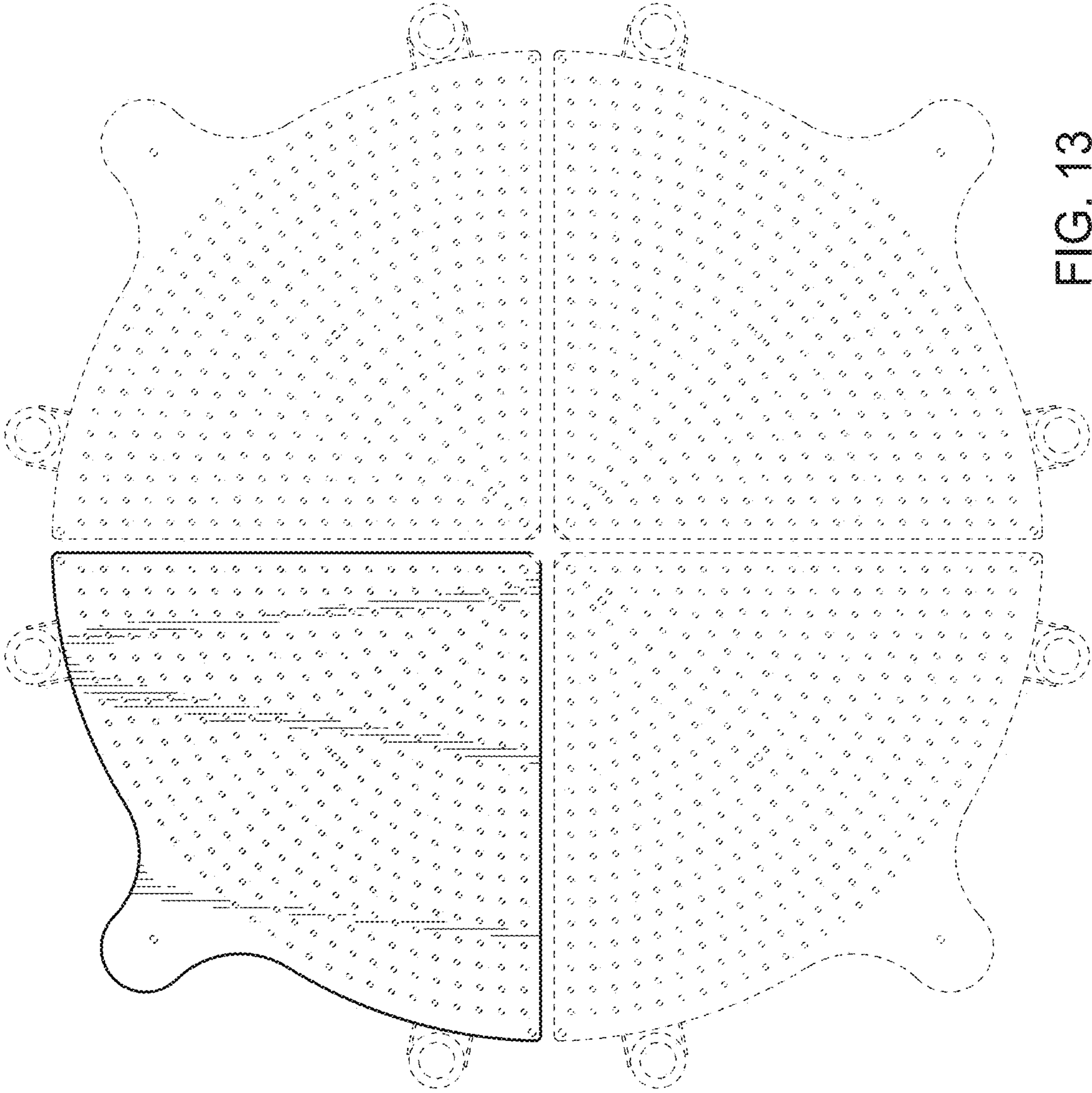


FIG. 13