



US00D969977S

(12) **United States Design Patent** (10) **Patent No.:** **US D969,977 S**  
**Garland** (45) **Date of Patent:** **\*\* Nov. 15, 2022**

(54) **FAUCET SPOUT**

FOREIGN PATENT DOCUMENTS

(71) Applicant: **DELTA FAUCET COMPANY,**  
Indianapolis, IN (US)

CA 200750 \* 5/2022  
IN 295082-0001 \* 3/2019

(72) Inventor: **Celine Kwok Garland,** Zionsville, IN  
(US)

OTHER PUBLICATIONS

(73) Assignee: **DELTA FAUCET COMPANY,**  
Indianapolis, IN (US)

Kohler 72763-9M-SN Artifacts Bathroom Sink Faucet, announced Jun. 5, 2018[online], [site visited Jun. 15, 2022]. Available from internet, URL:<https://www.amazon.com/Kohler-K-72763-9M-Artifacts-Gentlemans-Bathroom/dp/B076MGBTF5> (Year: 2018).  
Kohler K-72760-CP Artifacts Bathroom sink spout, announced Oct. 4, 2013[online], [site visited Oct. 4, 2013]. Available from internet, URL:<https://www.amazon.com/K-72760-CP-Artifacts-Bathroom-Handles-Polished/dp/B00FOMI8W6?th=1> (Year: 2013).\*

(\*\*) Term: **15 Years**

(21) Appl. No.: **29/773,729**

\* cited by examiner

(22) Filed: **Mar. 11, 2021**

(51) **LOC (13) Cl.** ..... **23-01**

*Primary Examiner* — David G Muller

(52) **U.S. Cl.**

*Assistant Examiner* — Jamaal Rasheed

USPC ..... **D23/255**

(58) **Field of Classification Search**

(74) *Attorney, Agent, or Firm* — Nirav D. Parikh; Jeffrey L. Doyle

USPC ..... D23/238–244, 252, 254–255, 257, 499;  
D8/398

CPC .... F16K 31/602; F16K 31/605; F16K 31/607;  
E03C 1/0412

(57) **CLAIM**

The ornamental design for a faucet spout, as shown and described.

See application file for complete search history.

**DESCRIPTION**

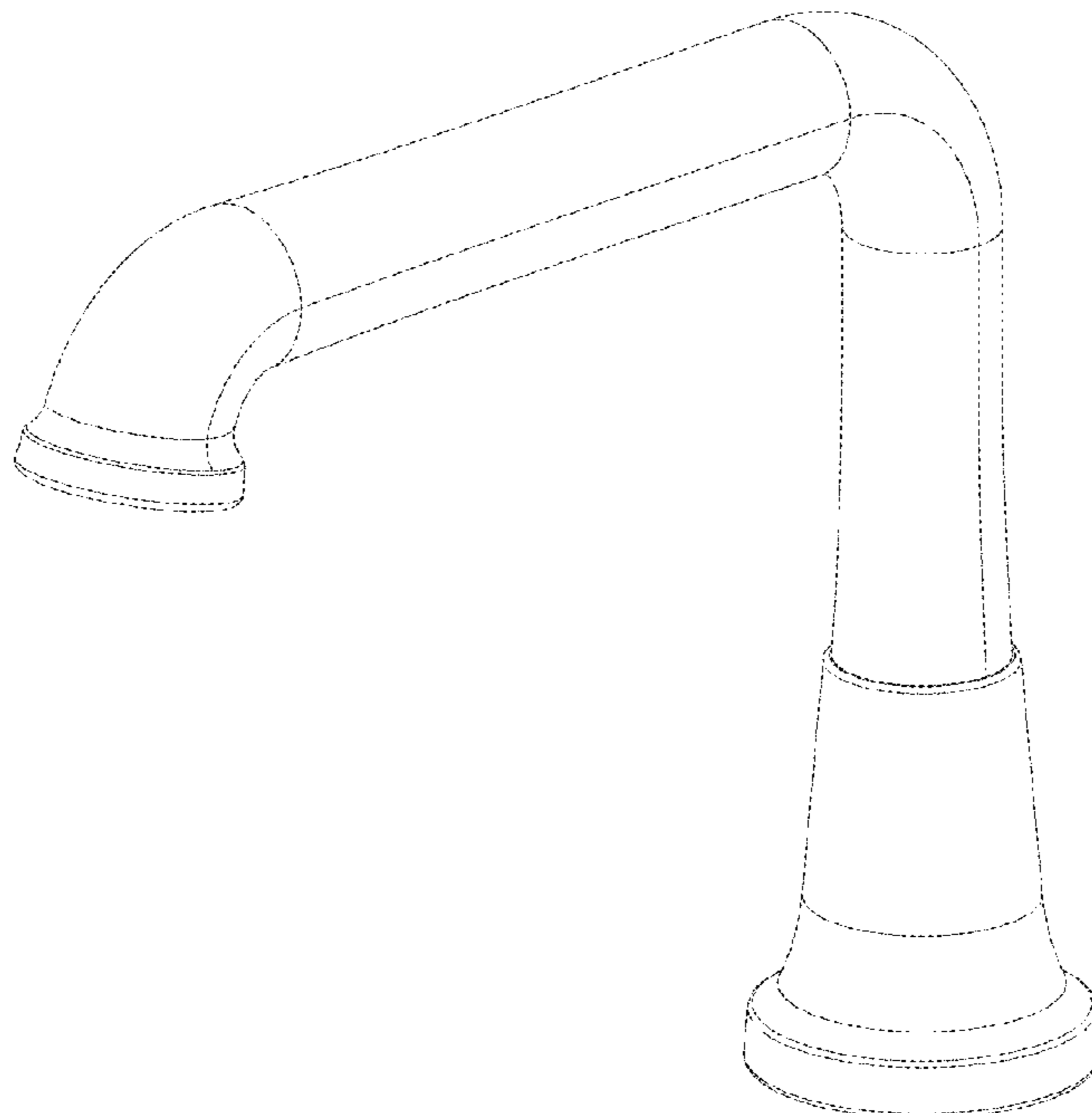
(56) **References Cited**

FIG. 1 is a front perspective view of a faucet spout showing my new design;  
FIG. 2 is a rear perspective view thereof;  
FIG. 3 is a front elevational view thereof;  
FIG. 4 is a left side view thereof;  
FIG. 5 is a right side view thereof;  
FIG. 6 is a rear view thereof;  
FIG. 7 is a top plan view thereof; and,  
FIG. 8 is a bottom view thereof.

U.S. PATENT DOCUMENTS

D407,260 S \* 3/1999 Martindale ..... D7/398  
D579,748 S \* 11/2008 Schneider ..... D8/308  
D652,899 S \* 1/2012 Citterio ..... D23/255  
D902,357 S \* 11/2020 Eads ..... D23/255  
D913,452 S \* 3/2021 Zhu ..... D23/255  
D919,768 S \* 5/2021 Garland ..... D23/255  
D931,419 S \* 9/2021 Kulig ..... D23/242  
D949,293 S \* 4/2022 Lamis ..... D23/255

**1 Claim, 4 Drawing Sheets**



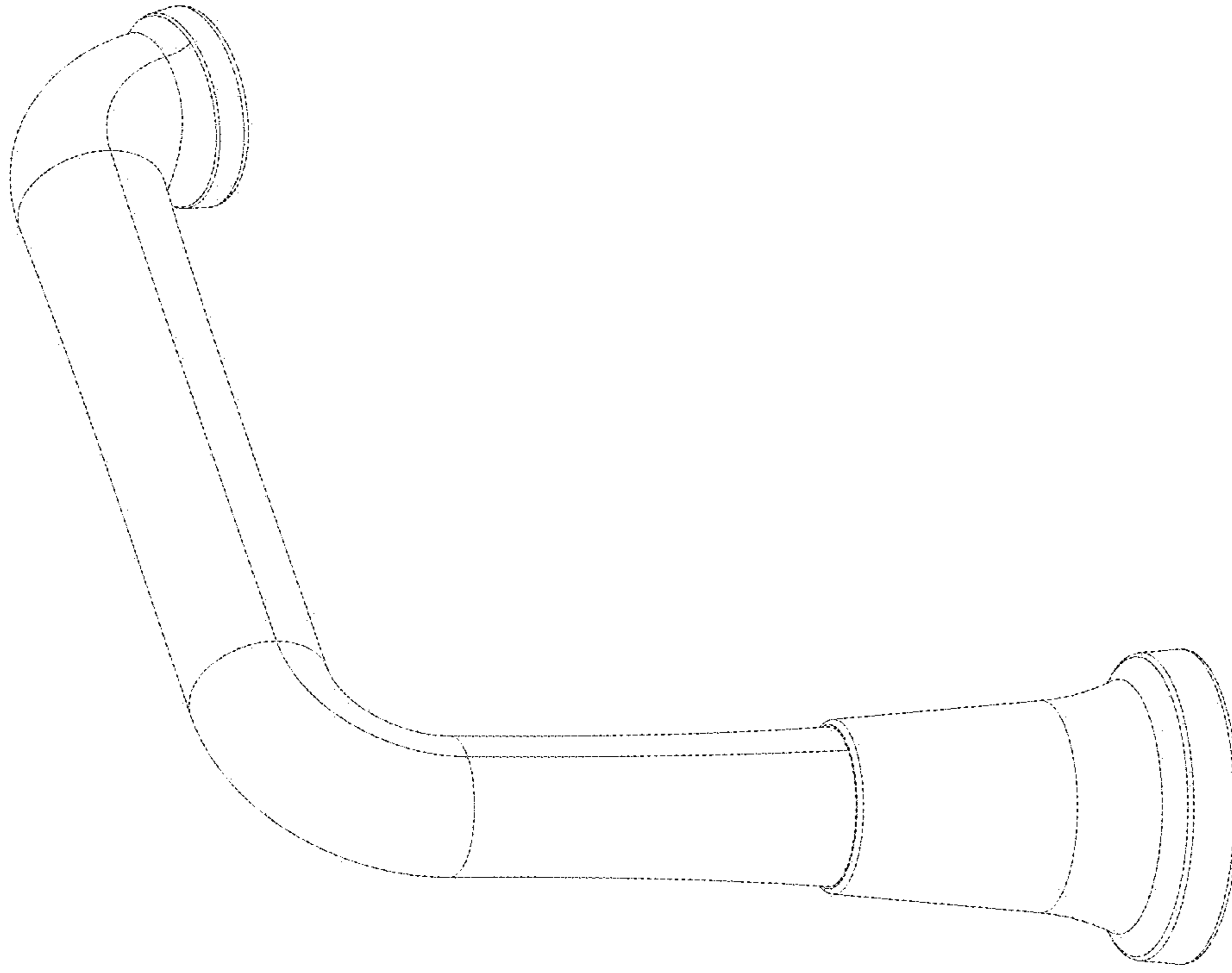


FIG - 2

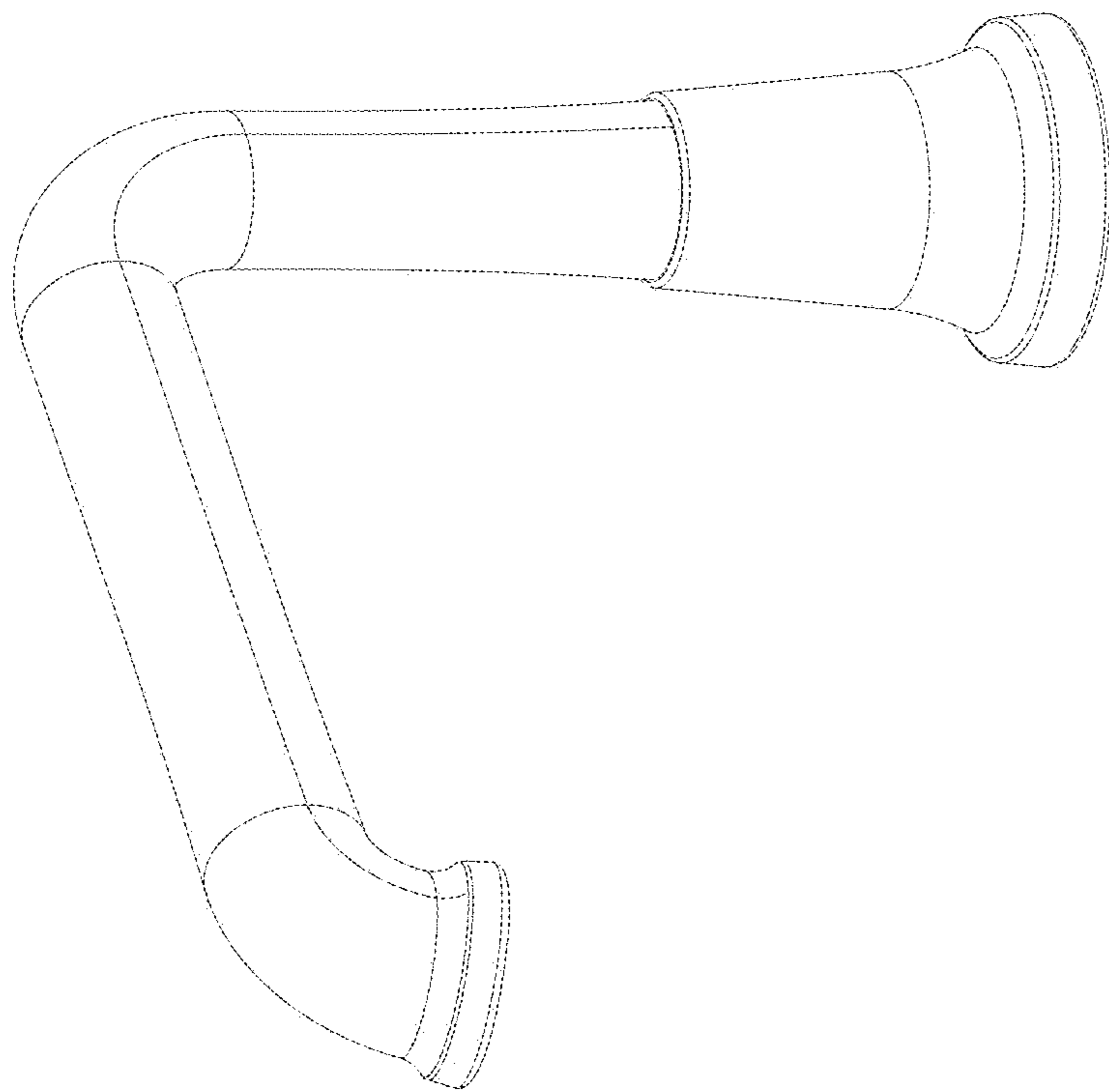


FIG - 1

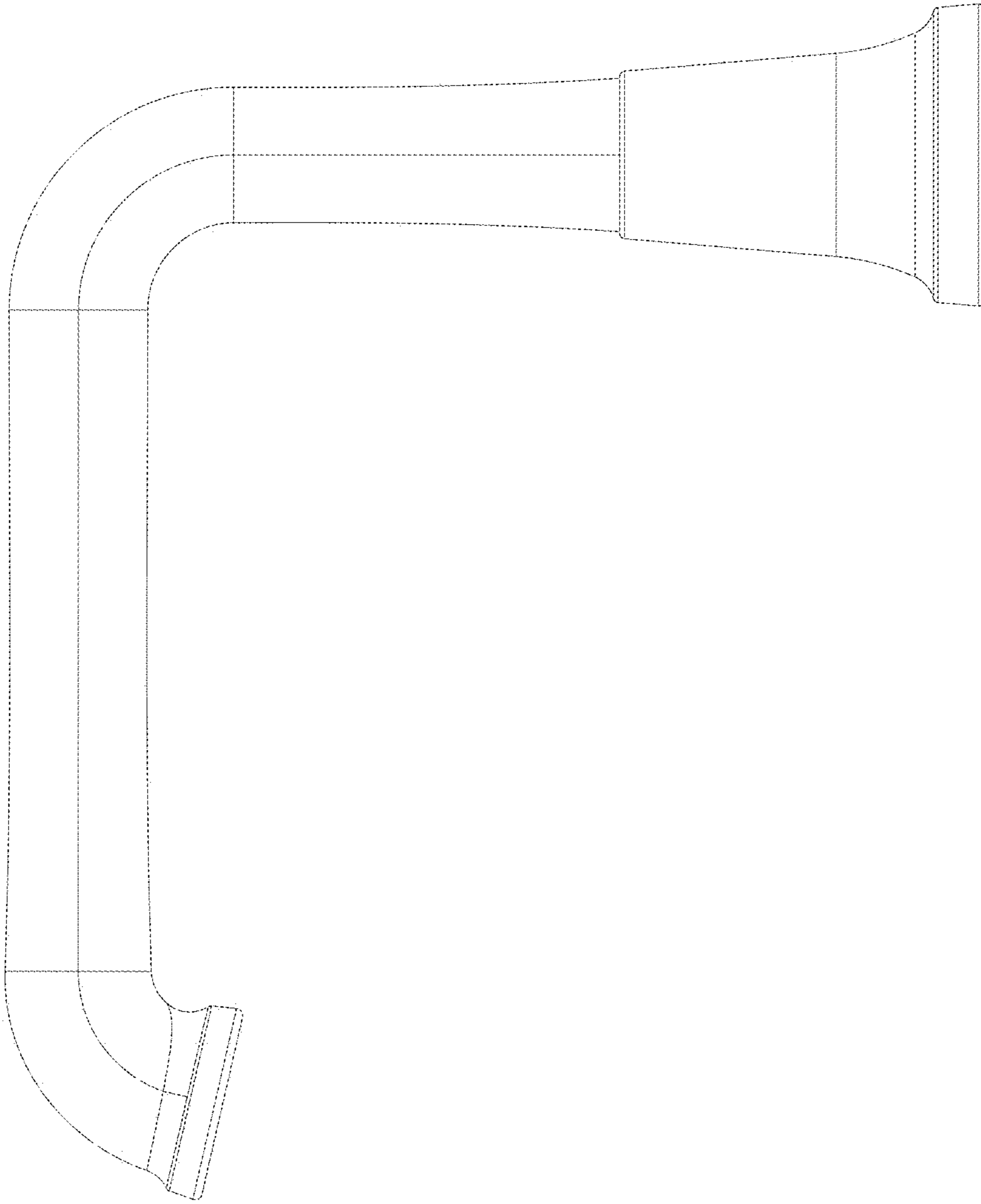


FIG - 4

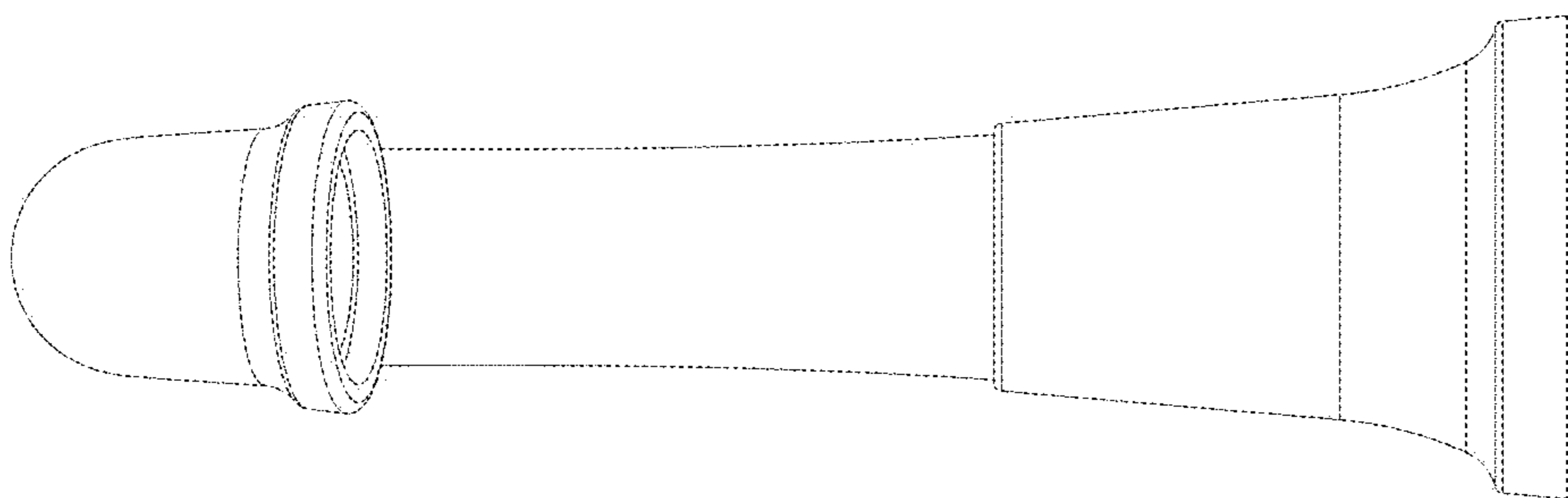


FIG - 3

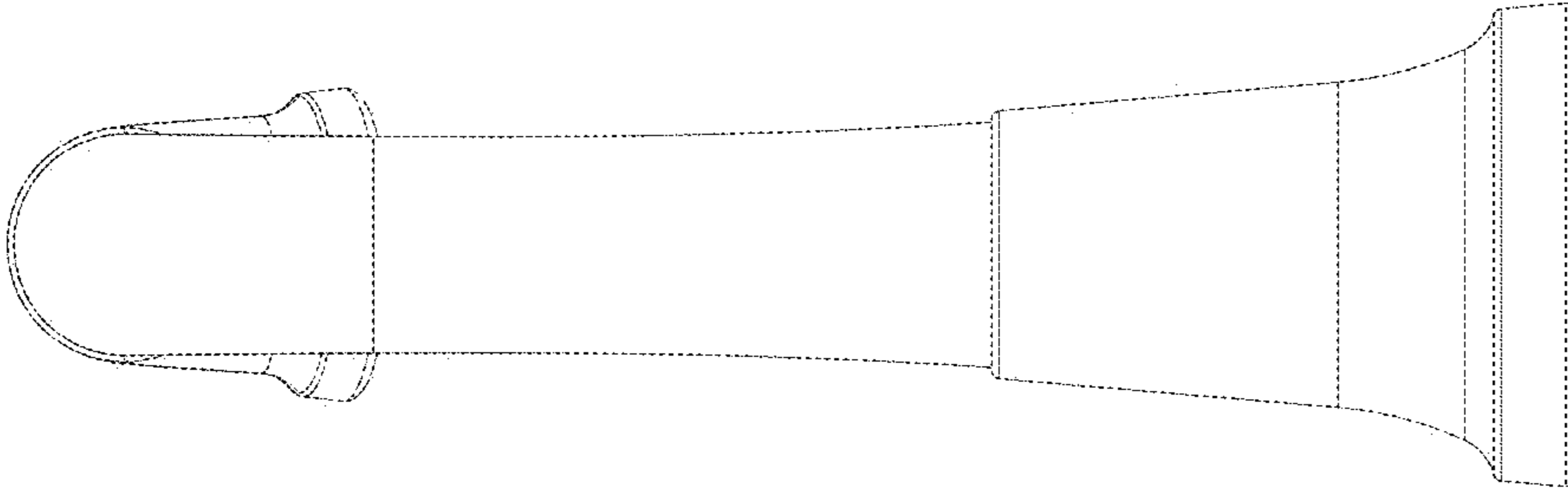


FIG - 6

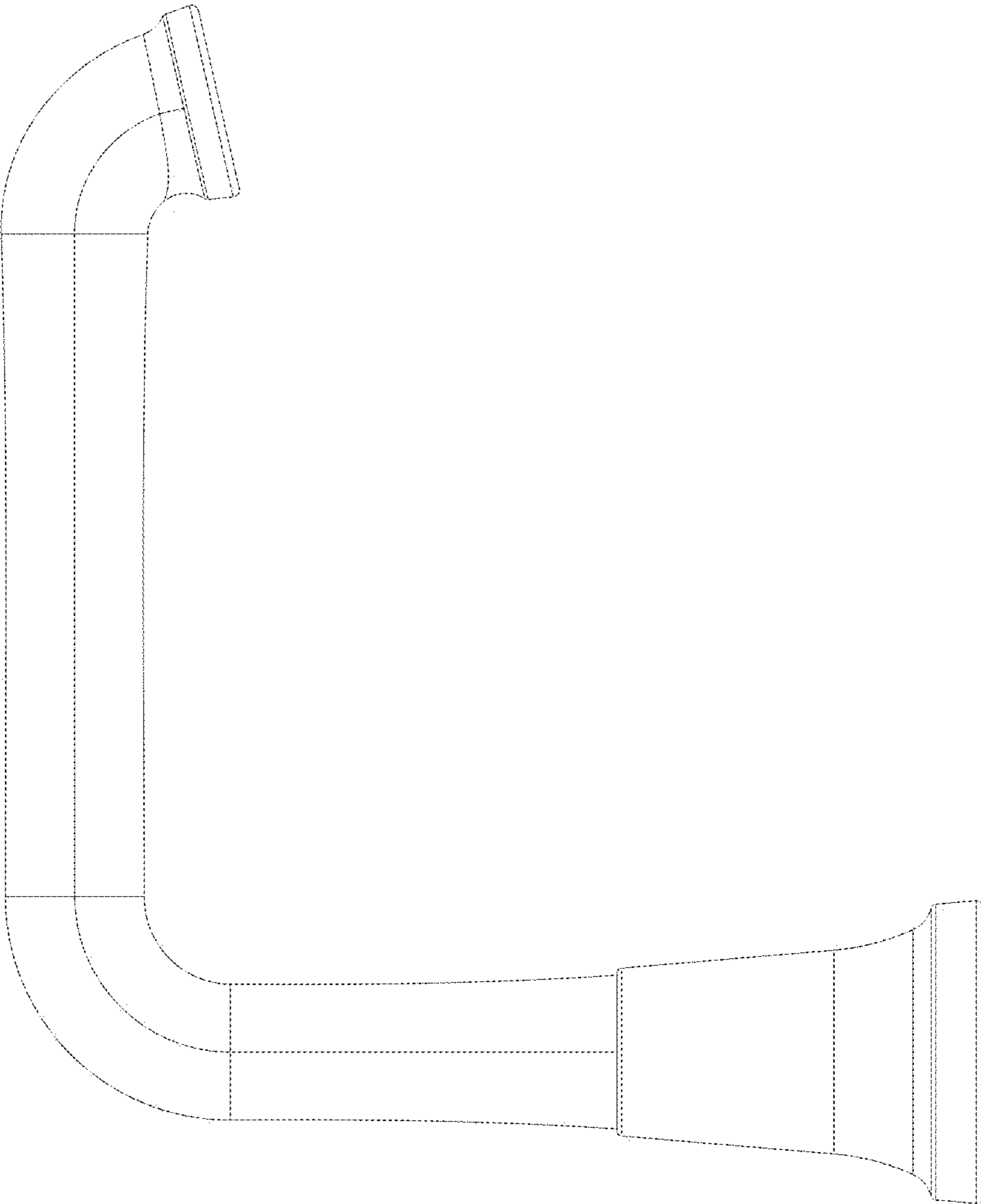


FIG - 5



FIG - 8

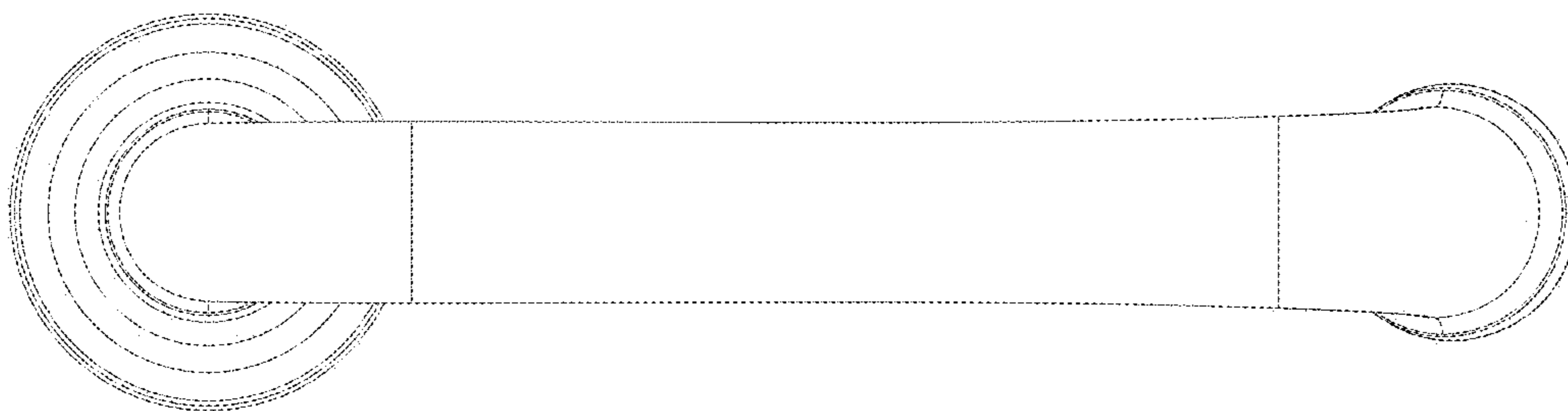


FIG - 7