



(12) **United States Design Patent**  
**Peng et al.**

(10) **Patent No.:** **US D969,976 S**  
(45) **Date of Patent:** **\*\* Nov. 15, 2022**

(54) **FAUCET**

(71) Applicant: **TOTO Ltd.**, Kitakyushu (JP)

(72) Inventors: **Bowen Peng**, Kitakyushu (JP); **Atsushi Toyohara**, Kitakyushu (JP); **Rina Ogata**, Kitakyushu (JP); **Takanori Shimazoe**, Kitakyushu (JP)

(73) Assignee: **TOTO Ltd.**, Kitakyushu (JP)

(\*\*) Term: **15 Years**

(21) Appl. No.: **29/752,029**

(22) Filed: **Sep. 24, 2020**

(30) **Foreign Application Priority Data**

Mar. 25, 2020 (JP) ..... 2020-005645 D

(51) **LOC (13) Cl.** ..... **23-01**

(52) **U.S. Cl.**  
USPC ..... **D23/255**

(58) **Field of Classification Search**  
USPC ..... D23/238-244, 252, 254-255, 257, 499;  
D7/398  
CPC .... F16K 31/602; F16K 31/605; F16K 31/607;  
E03C 1/0412  
See application file for complete search history.

(56) **References Cited**

**U.S. PATENT DOCUMENTS**

D659,803 S	*	5/2012	Flowers	.....	D23/255
D701,592 S	*	3/2014	Zhenqiang	.....	D23/238
D767,721 S	*	9/2016	Yoshioka	.....	D23/238
D769,418 S	*	10/2016	Eads	.....	D23/238
D805,607 S	*	12/2017	Streng	.....	D23/240
D809,629 S	*	2/2018	Streng	.....	D23/240

(Continued)

**FOREIGN PATENT DOCUMENTS**

CA 158725 \* 8/2015  
CN 305466508 \* 11/2019

(Continued)

**OTHER PUBLICATIONS**

American Standard 702B205.002 Paradigm Selectronic Integrated Faucet, first available Apr. 1, 2019[online], [site visited Jun. 10, 2022]. Available from internet, URL:<https://www.amazon.com/dp/B07PXNR3DD> (Year: 2019).\*

(Continued)

*Primary Examiner* — David G Muller  
*Assistant Examiner* — Jamaal Rasheed

(74) *Attorney, Agent, or Firm* — Banner & Witcoff, Ltd.

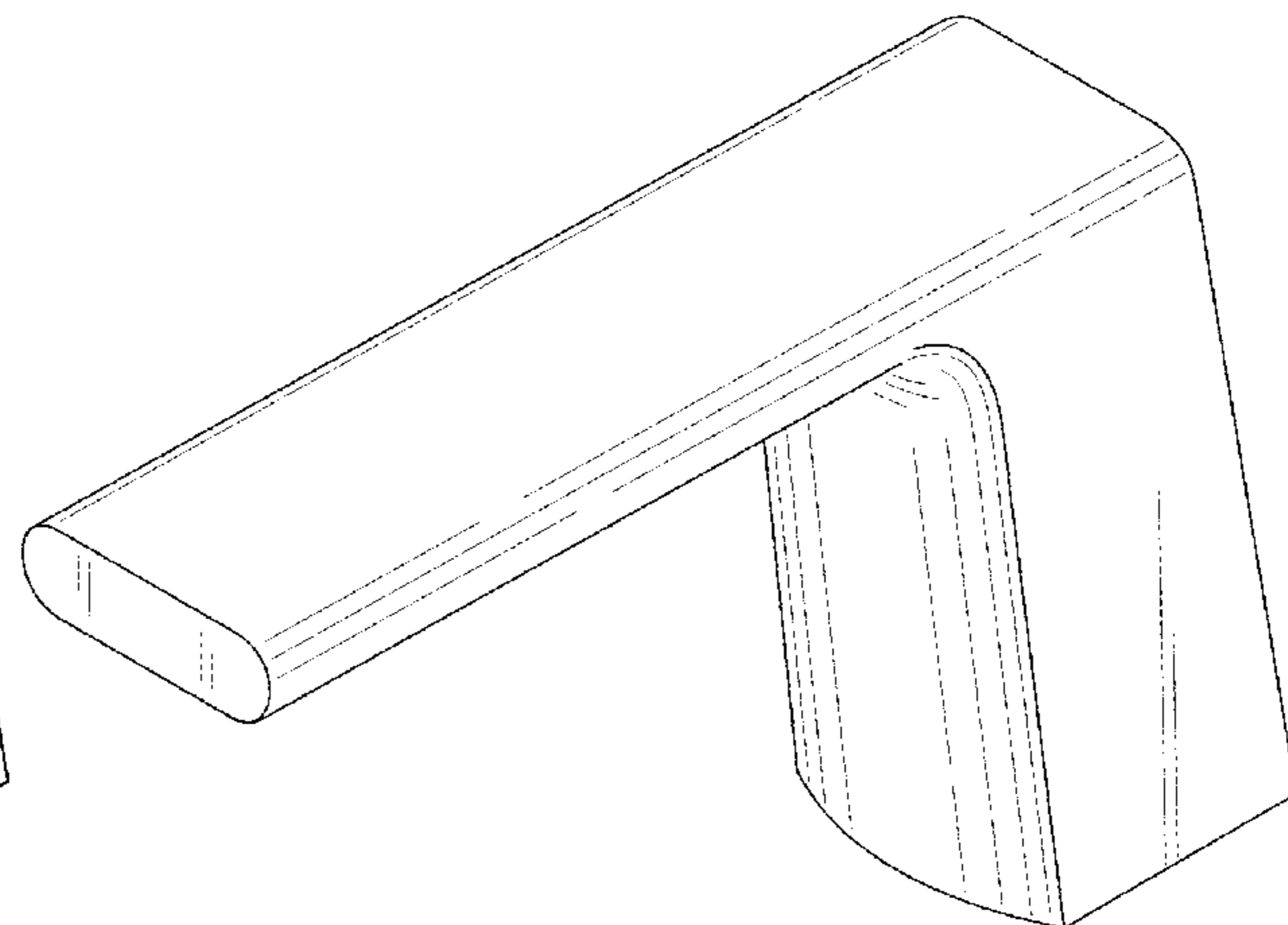
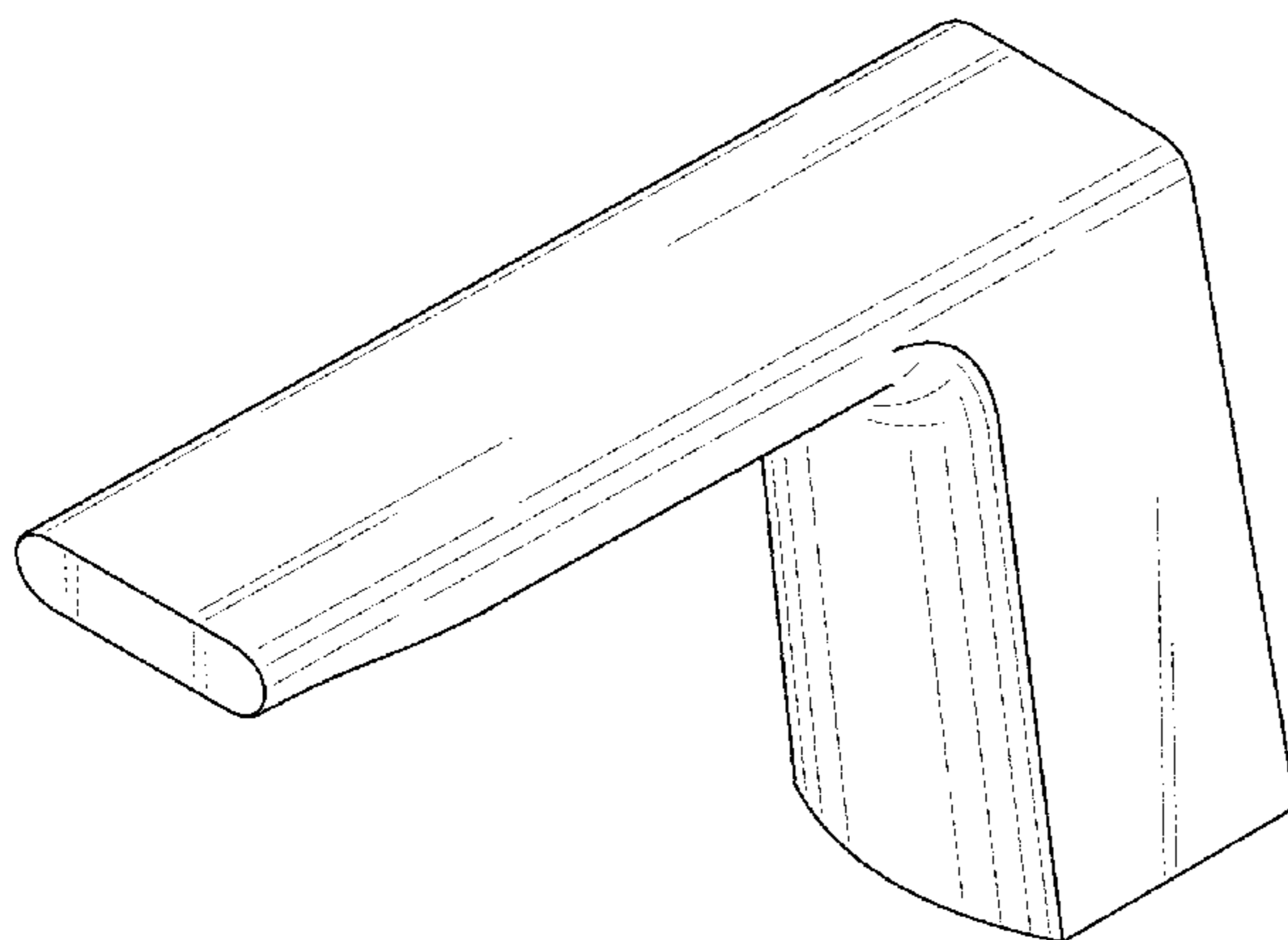
(57) **CLAIM**

The ornamental design for a faucet, as shown and described.

**DESCRIPTION**

FIG. 1 is a perspective view of a first embodiment of a faucet showing our new design;  
FIG. 2 is a front view thereof;  
FIG. 3 is a rear view thereof;  
FIG. 4 is a left side view thereof;  
FIG. 5 is a right side view thereof;  
FIG. 6 is a top view thereof;  
FIG. 7 is a bottom view thereof;  
FIG. 8 is a perspective view of a second embodiment of a faucet showing our new design;  
FIG. 9 is a front view thereof;  
FIG. 10 is a rear view thereof;  
FIG. 11 is a left side view thereof;  
FIG. 12 is a right side view thereof;  
FIG. 13 is a top view thereof; and,  
FIG. 14 is a bottom view thereof.  
The broken lines in the figures are included for the purpose of illustrating portions of the faucet that form no part of the claimed design.

**1 Claim, 8 Drawing Sheets**



(56)

**References Cited**

U.S. PATENT DOCUMENTS

D819,185 S \* 5/2018 Ravassa ..... D23/255  
D855,769 S \* 8/2019 Eads ..... D23/238  
D861,135 S \* 9/2019 Diefenbach ..... D23/238  
D951,396 S \* 5/2022 Diefenbach ..... D23/238  
D951,401 S \* 5/2022 Diefenbach ..... D23/255  
2021/0207349 A1 \* 7/2021 Ukigai ..... C23G 1/14

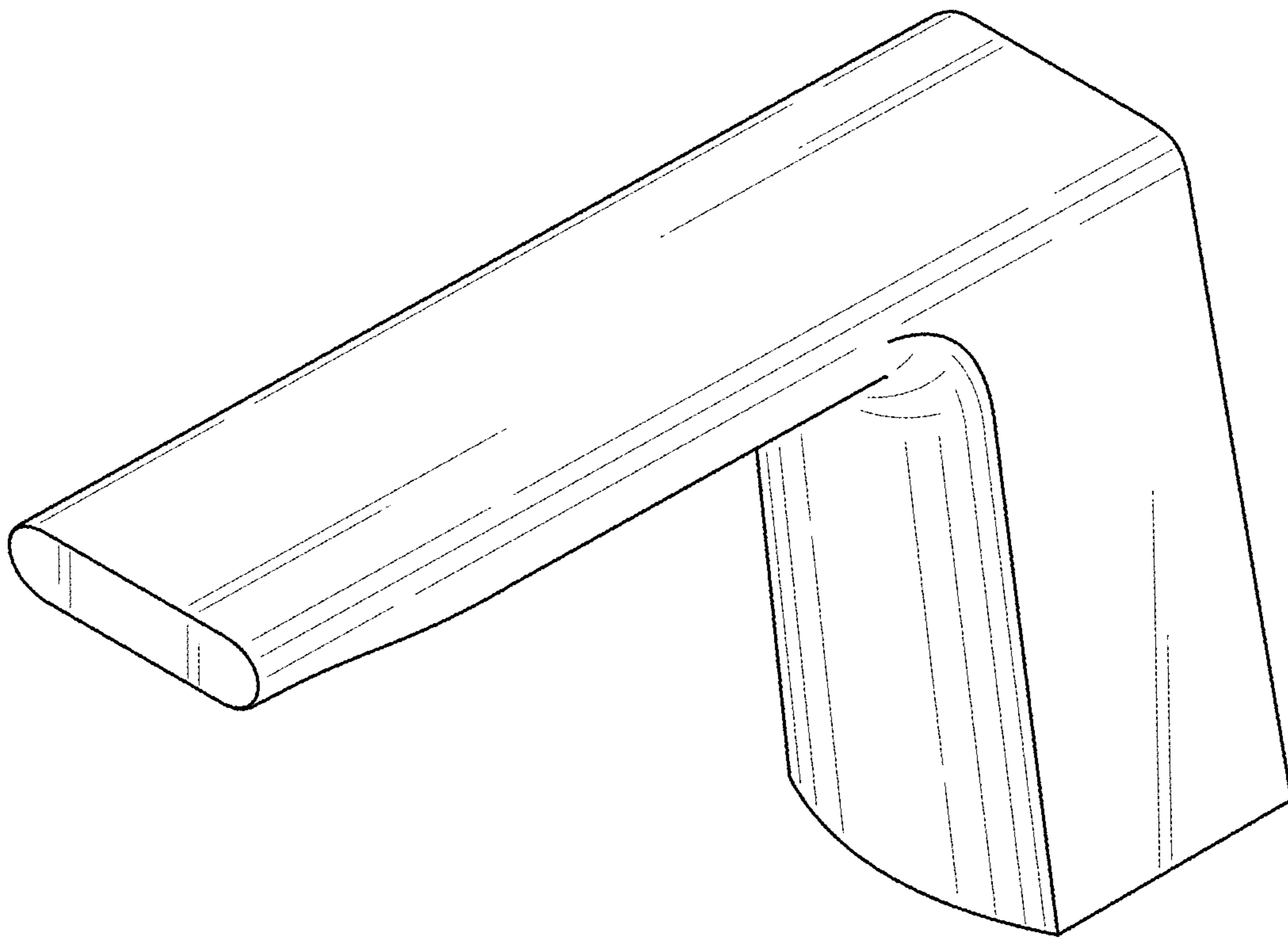
FOREIGN PATENT DOCUMENTS

JP D1452847 \* 10/2012  
JP D1676342 \* 1/2021

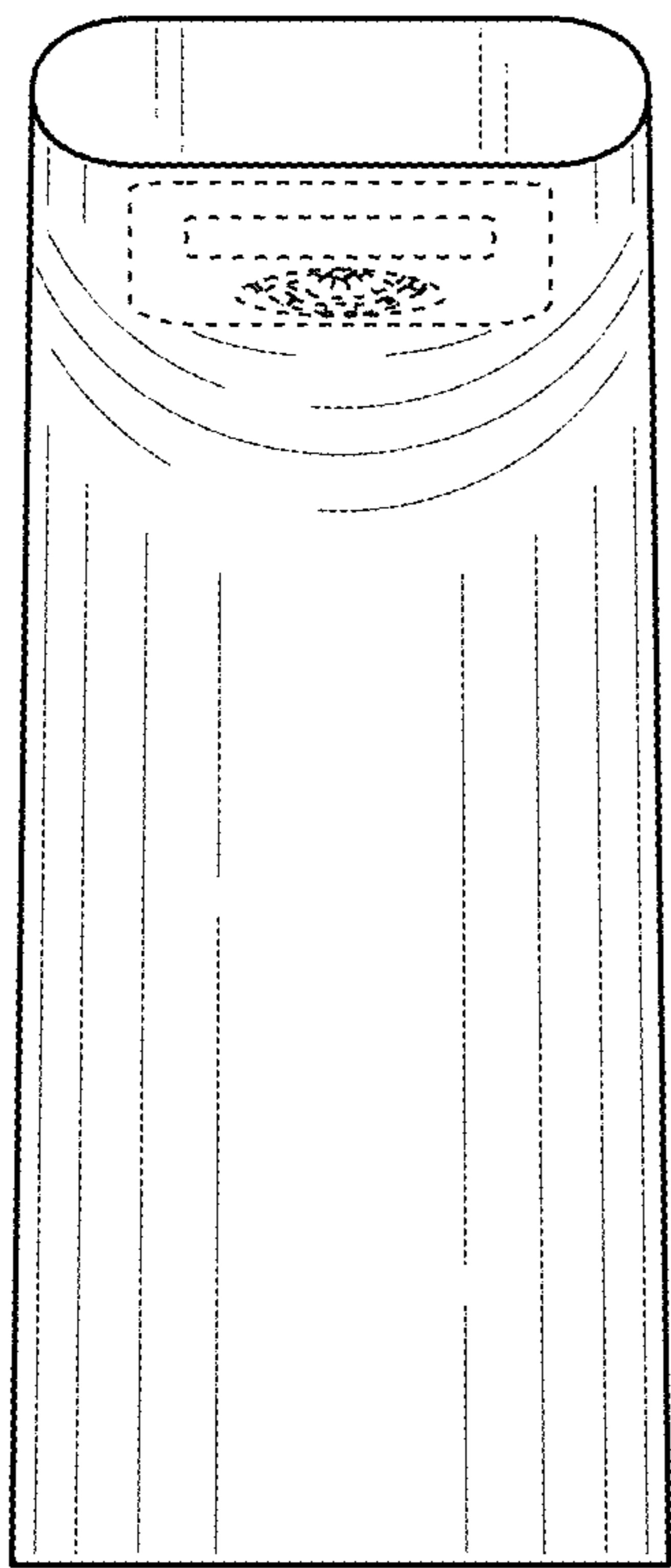
OTHER PUBLICATIONS

TRUSTMI Brushed Gold Bathroom Faucet, first available Jul. 21, 2020[online], [site visited Jun. 12, 2022]. Available from internet, URL :<<https://www.amazon.com/dp/B08DCPWDZV>> (Year: 2020).\*

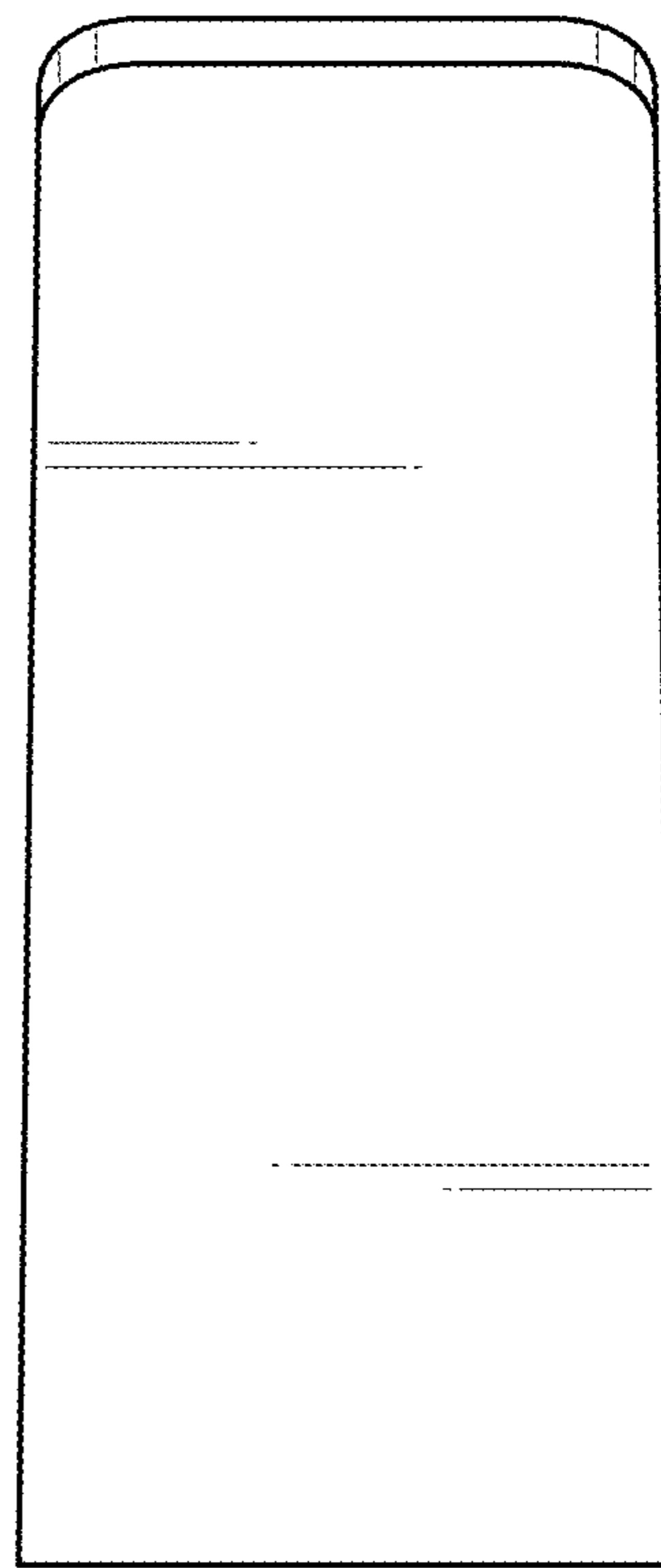
\* cited by examiner



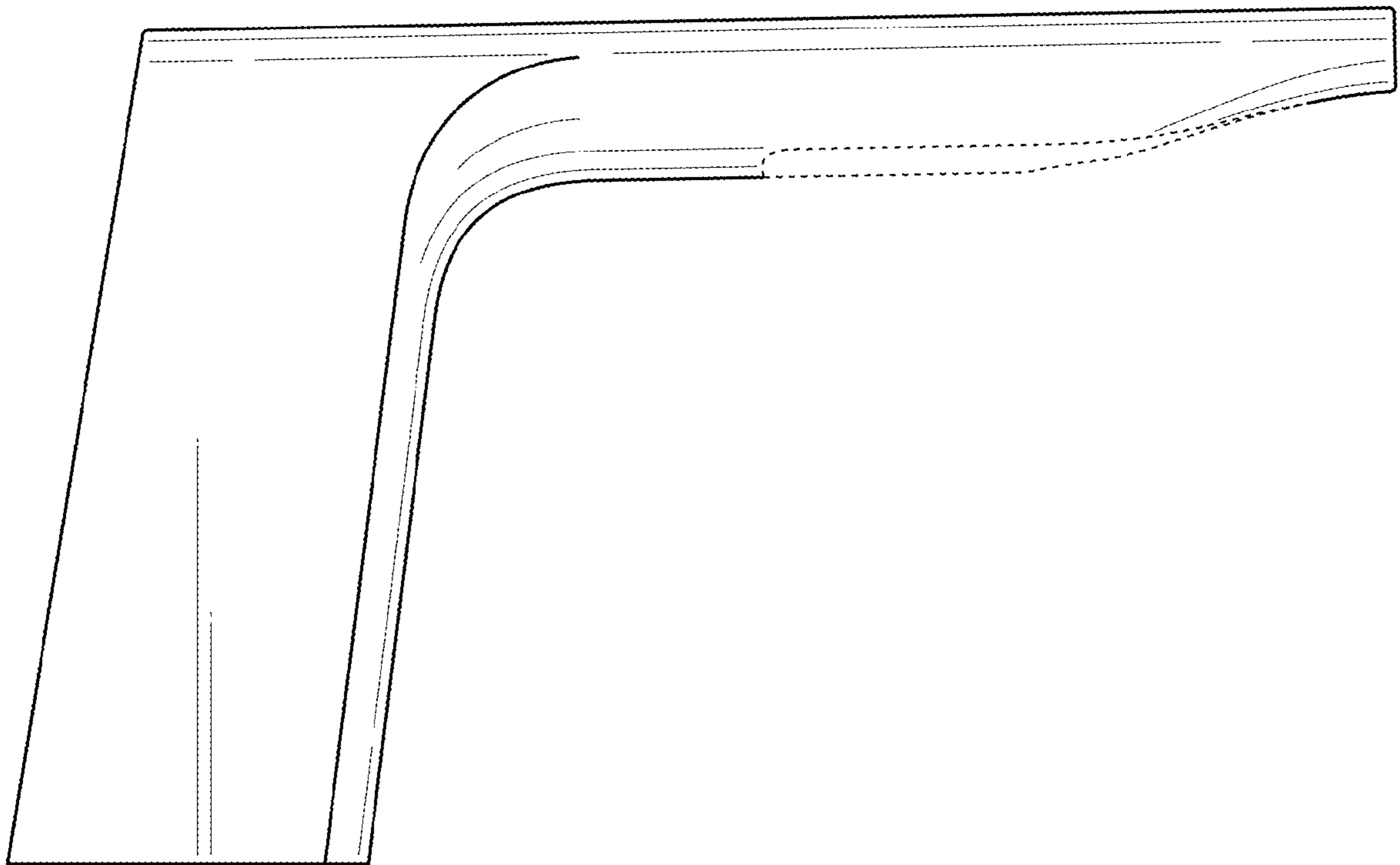
*FIG. 1*



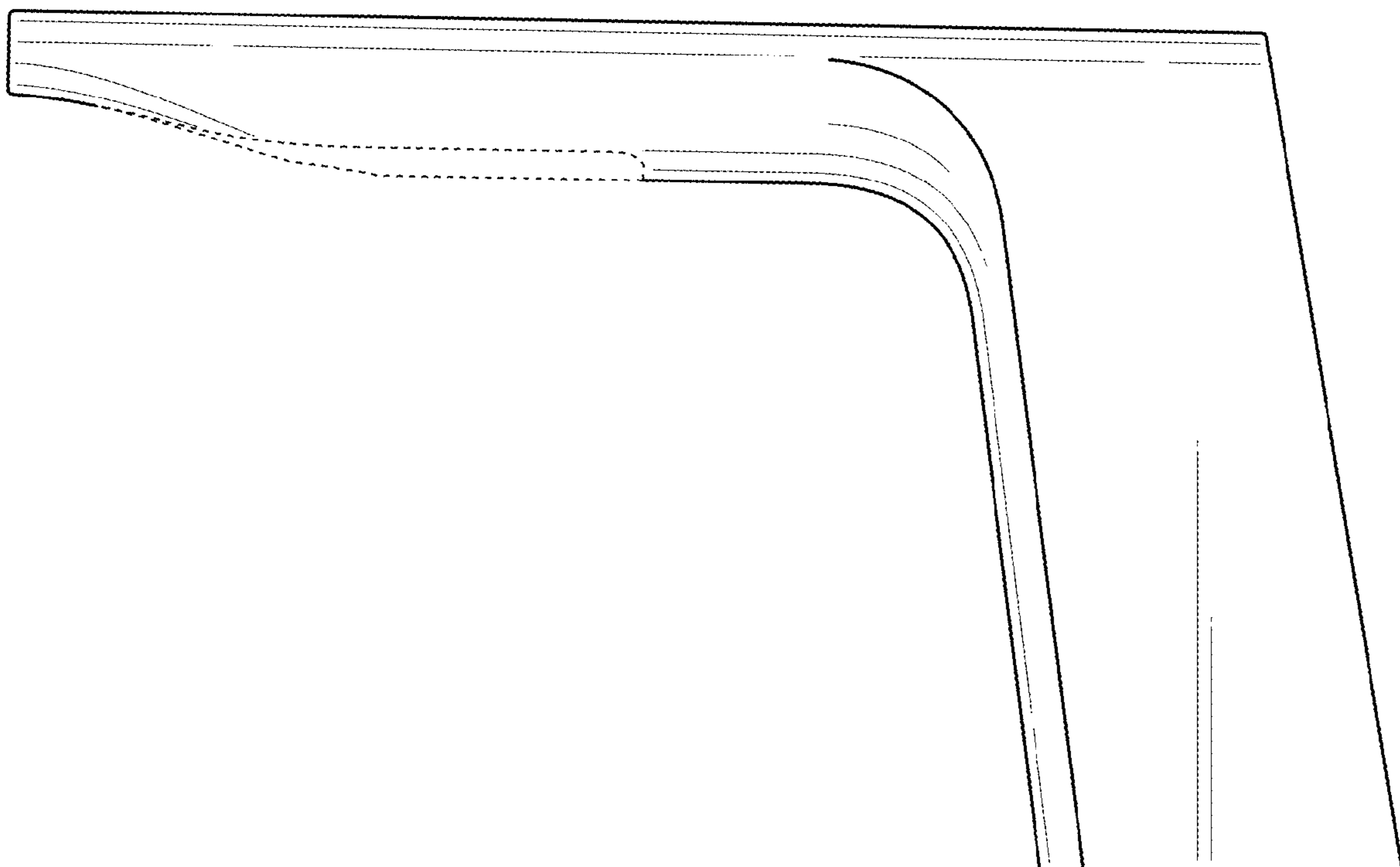
*FIG. 2*



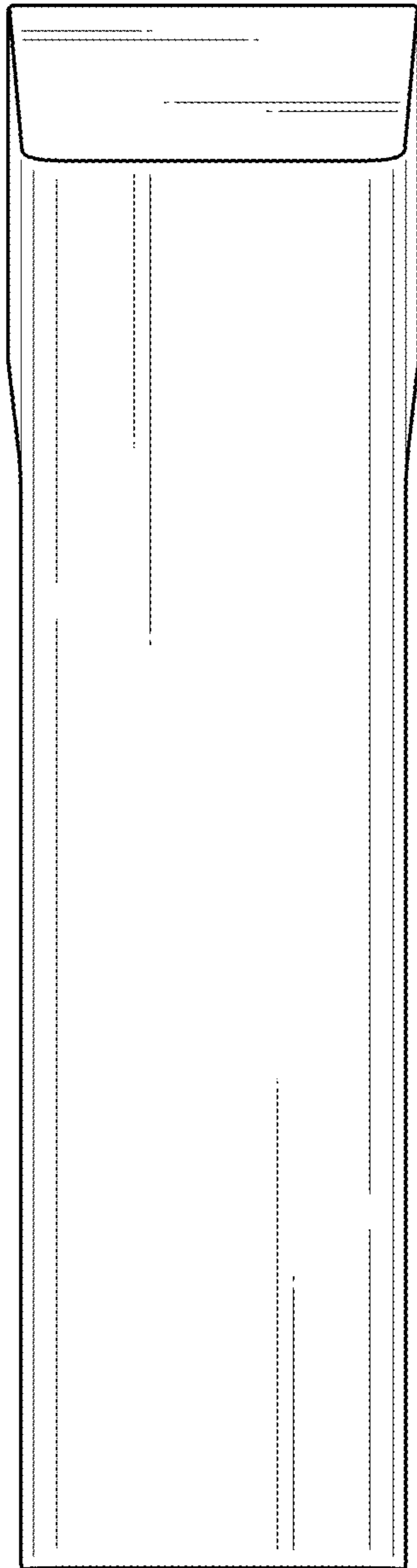
*FIG. 3*



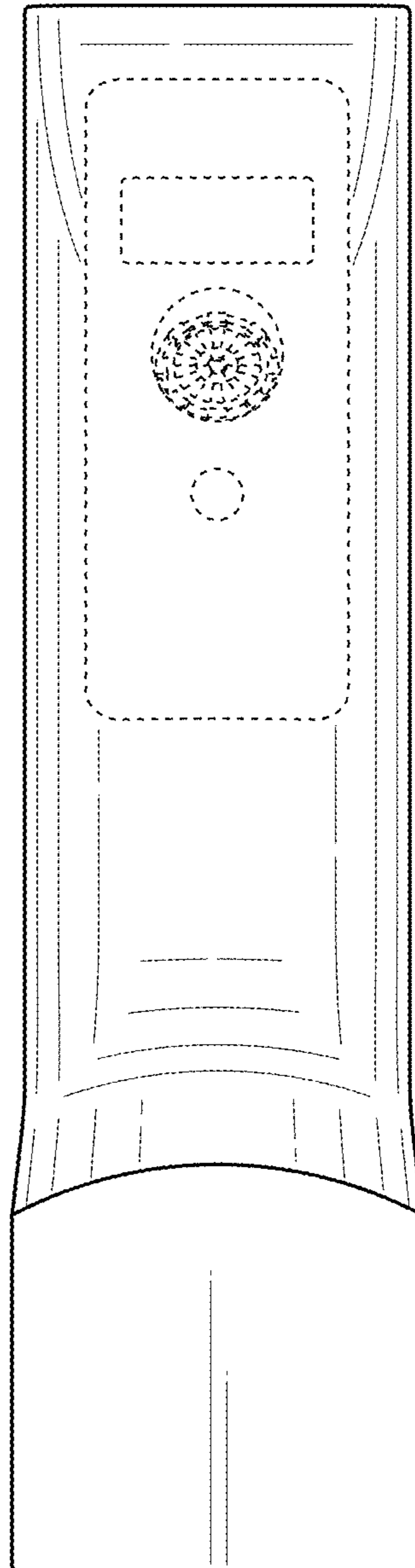
*FIG. 4*



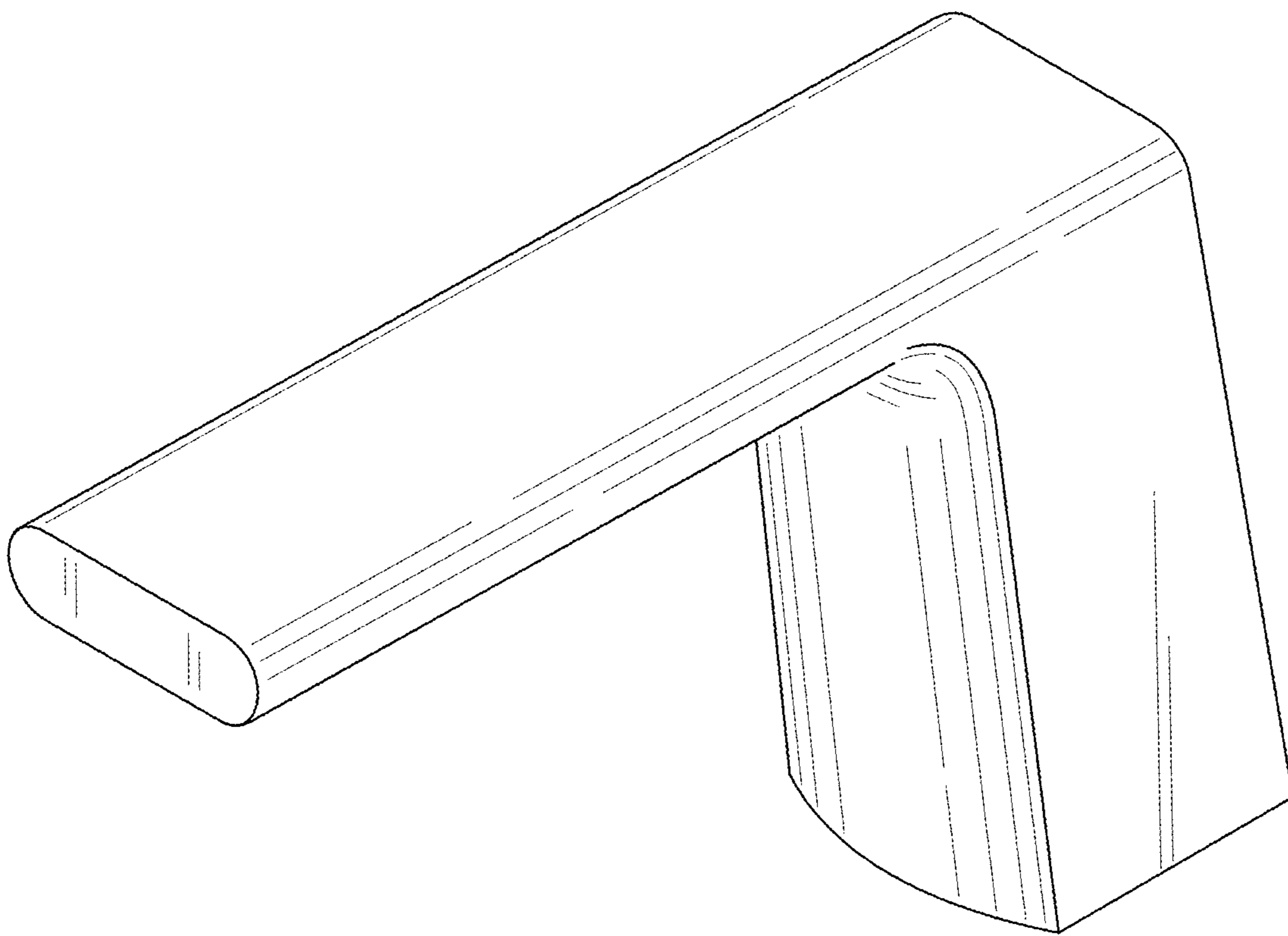
*FIG. 5*



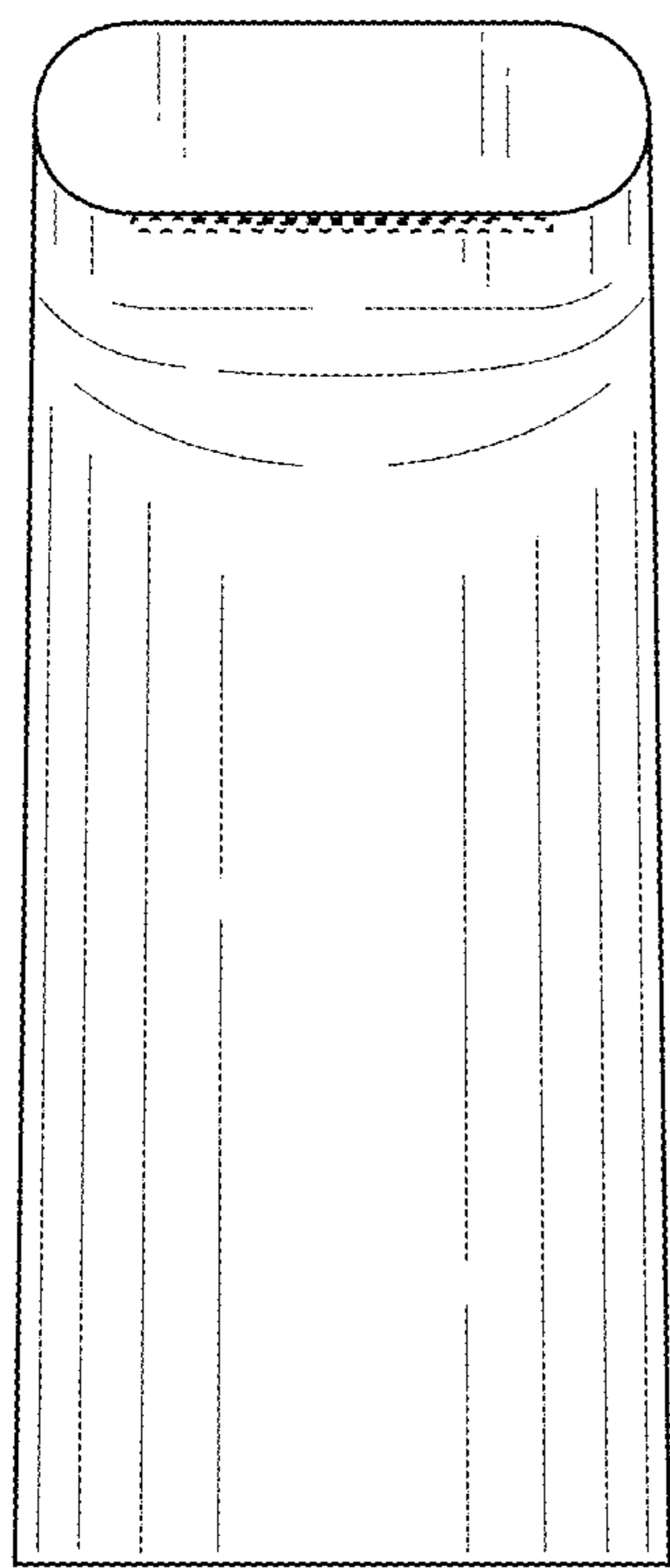
*FIG. 6*



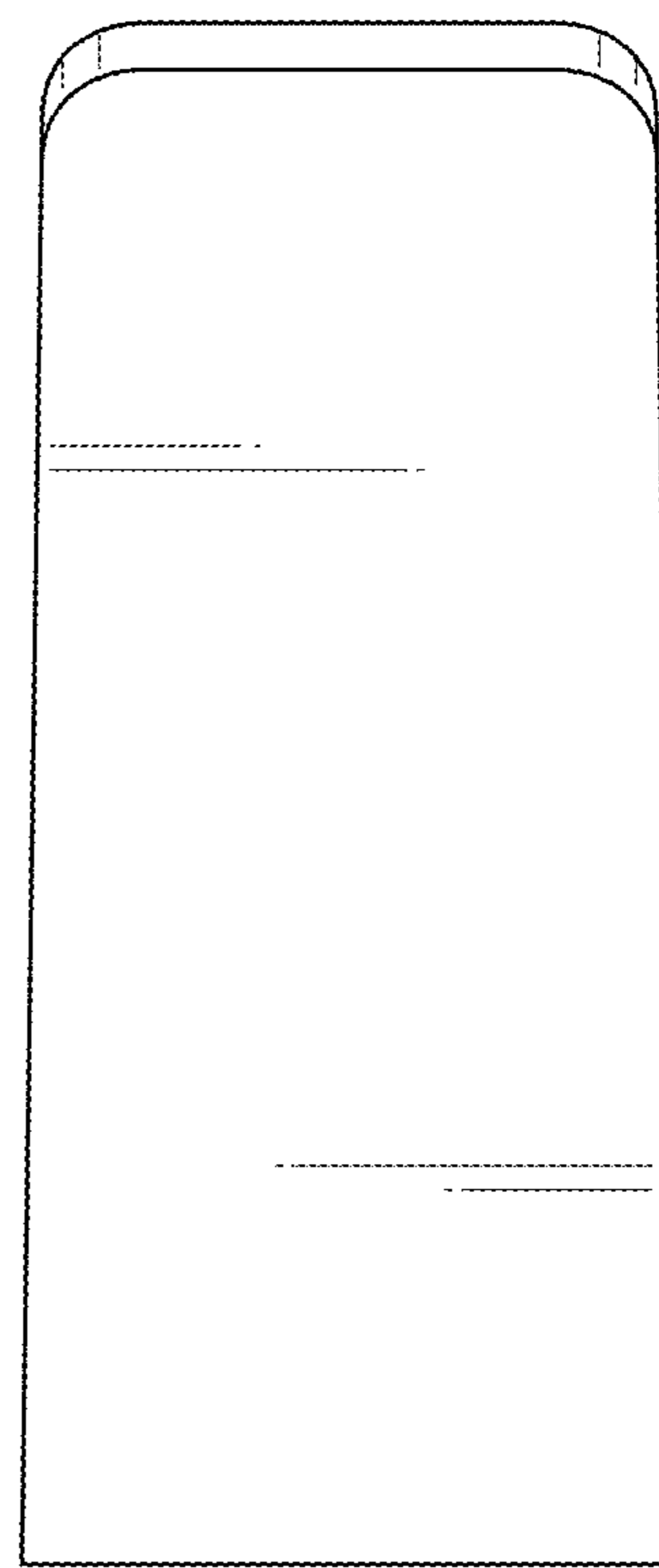
*FIG. 7*



*FIG. 8*

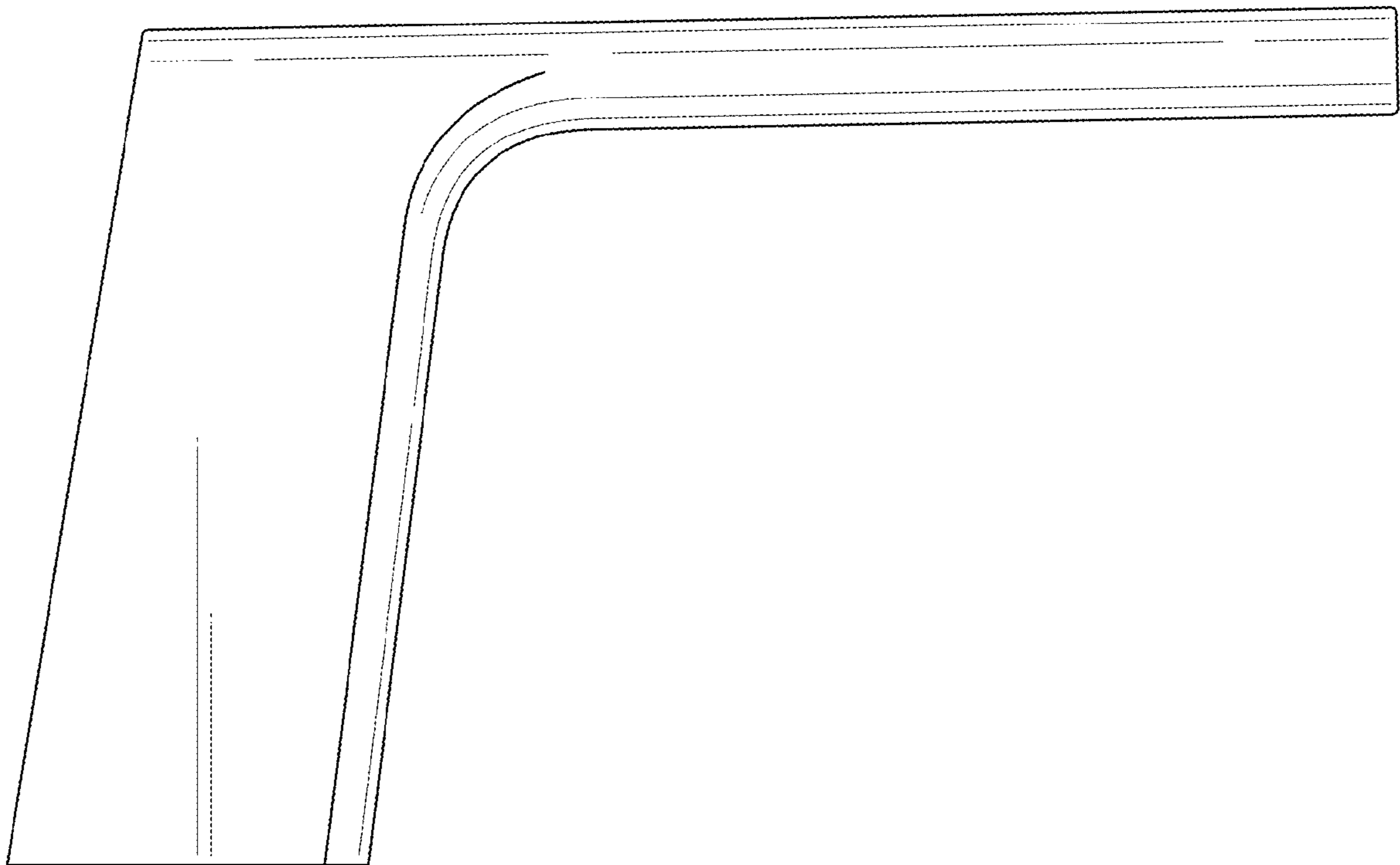


*FIG. 9*

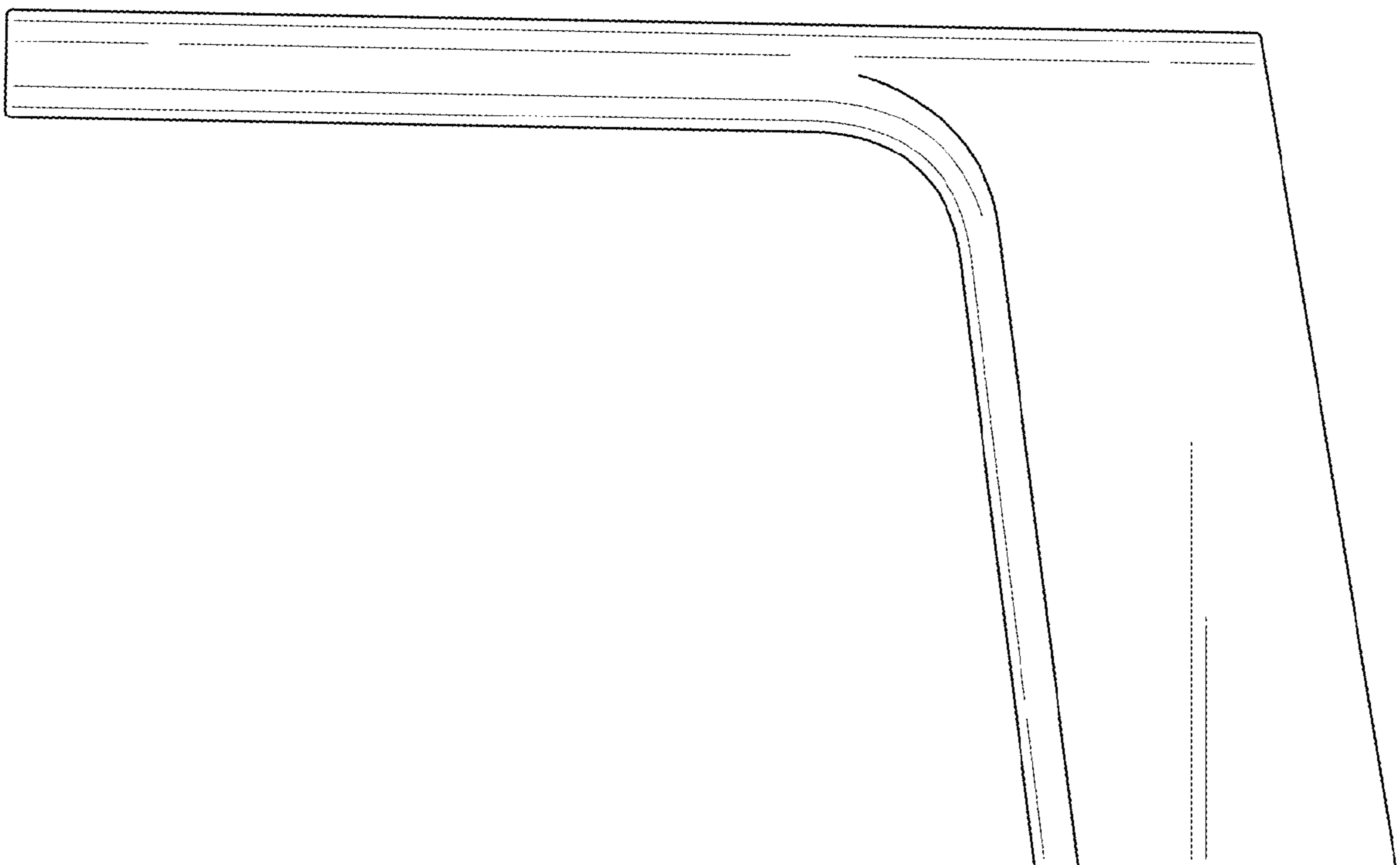


*FIG. 10*

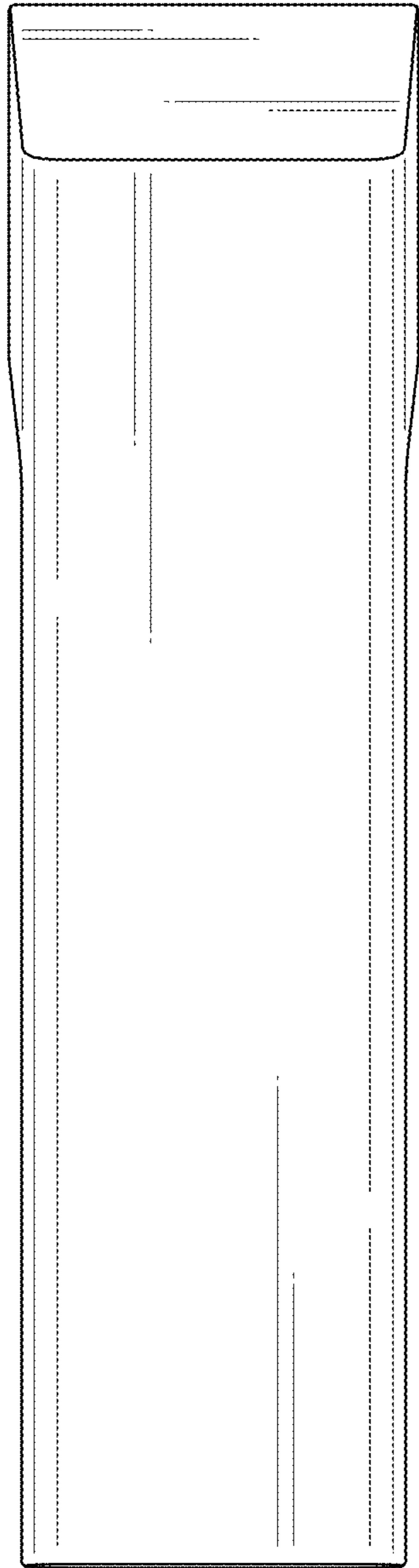




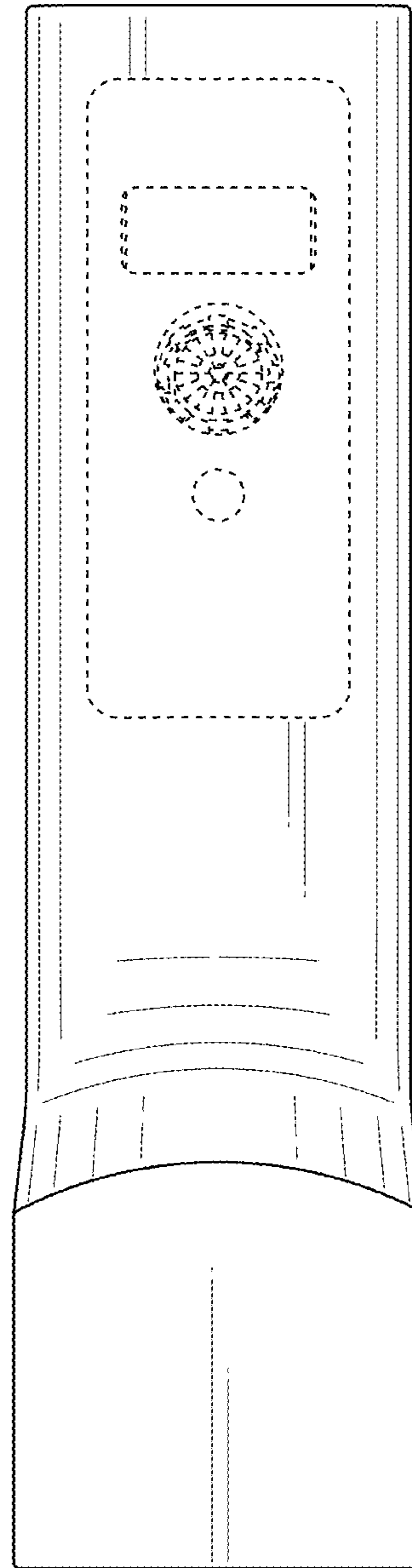
*FIG. 11*



*FIG. 12*



**FIG. 13**



**FIG. 14**