



US00D969975S

(12) **United States Design Patent** (10) **Patent No.:** **US D969,975 S**
Elser (45) **Date of Patent:** **** Nov. 15, 2022**

(54) **FAUCET**

(71) Applicant: **DELTA FAUCET COMPANY,**
Indianapolis, IN (US)

(72) Inventor: **Simon Elser,** Indianapolis, IN (US)

(73) Assignee: **DELTA FAUCET COMPANY,**
Indianapolis, IN (US)

(**) Term: **15 Years**

(21) Appl. No.: **29/844,639**

(22) Filed: **Jun. 30, 2022**

Related U.S. Application Data

(63) Continuation-in-part of application No. 29/725,763,
filed on Feb. 27, 2020.

(51) **LOC (13) Cl.** **23-01**

(52) **U.S. Cl.**
USPC **D23/242**

(58) **Field of Classification Search**
USPC D23/238-244, 252, 254-255, 257, 499;
D7/398
CPC F16K 31/602; F16K 31/605; F16K 31/607;
E03C 1/0412
See application file for complete search history.

(56) **References Cited**

U.S. PATENT DOCUMENTS

D466,981 S * 12/2002 Cosolito D23/242
D472,608 S * 4/2003 Shieh D23/241
D490,142 S * 5/2004 Ouyoung D23/239
D492,391 S * 6/2004 Herbeau D23/242
D497,197 S * 10/2004 Warshawsky D23/242
D511,815 S * 11/2005 Egee D23/242
D512,485 S * 12/2005 Kulig D23/242
D583,440 S * 12/2008 Spangler D23/241
D601,664 S * 10/2009 Bailey D23/241
D693,439 S * 11/2013 Shieh D23/241

D696,750 S * 12/2013 Standefer D23/242
D839,993 S * 2/2019 Garland D23/242
D914,153 S * 3/2021 Seum D23/241
D931,419 S * 9/2021 Kulig D23/242
2009/0095361 A1* 4/2009 Chung E03C 1/104
137/594

FOREIGN PATENT DOCUMENTS

CA 123065 * 6/2009

OTHER PUBLICATIONS

Signature Hardware 918022 Monroe Bridge Bathroom Faucet, first available Aug. 11, 2018 [online], [site visited Jul. 25, 2022]. Available from internet, URL:< https://www.amazon.com/Signature-Hardware-Bathroom-Handles-Assembly/dp/B005F75KWQ?th=1> (Year: 2018).*

* cited by examiner

Primary Examiner — David G Muller

Assistant Examiner — Jamaal Rasheed

(74) *Attorney, Agent, or Firm* — Nirav D. Parikh; Jeffrey L. Doyle

(57) **CLAIM**

The ornamental design for a faucet, as shown and described.

DESCRIPTION

FIG. 1 is a front perspective view of a faucet showing my new design;

FIG. 2 is another perspective view thereof;

FIG. 3 is a front elevational view thereof;

FIG. 4 is a left side view thereof;

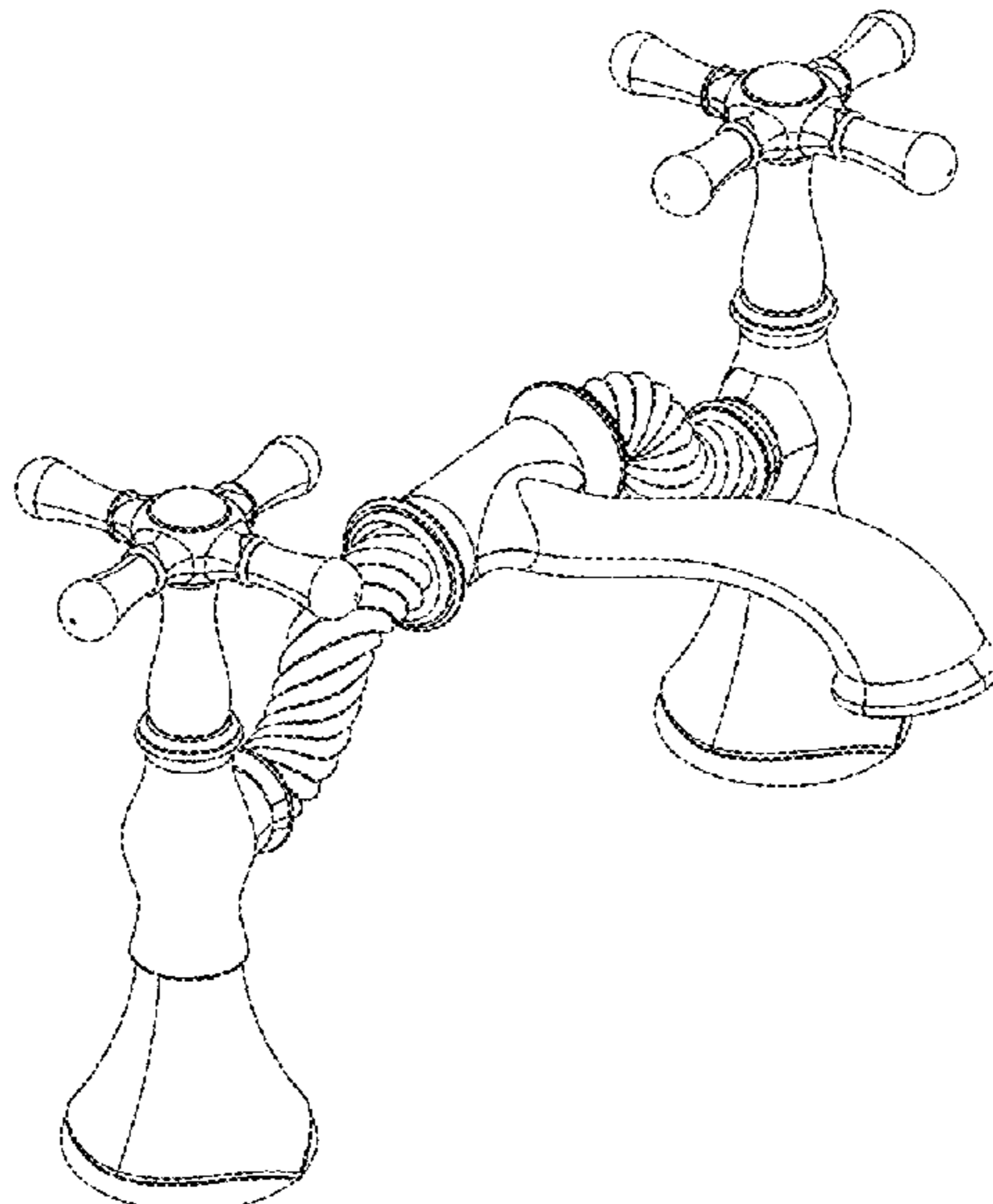
FIG. 5 is a rear view thereof;

FIG. 6 is a right side view thereof;

FIG. 7 is a top plan view thereof; and,

FIG. 8 is a bottom view thereof.

1 Claim, 4 Drawing Sheets



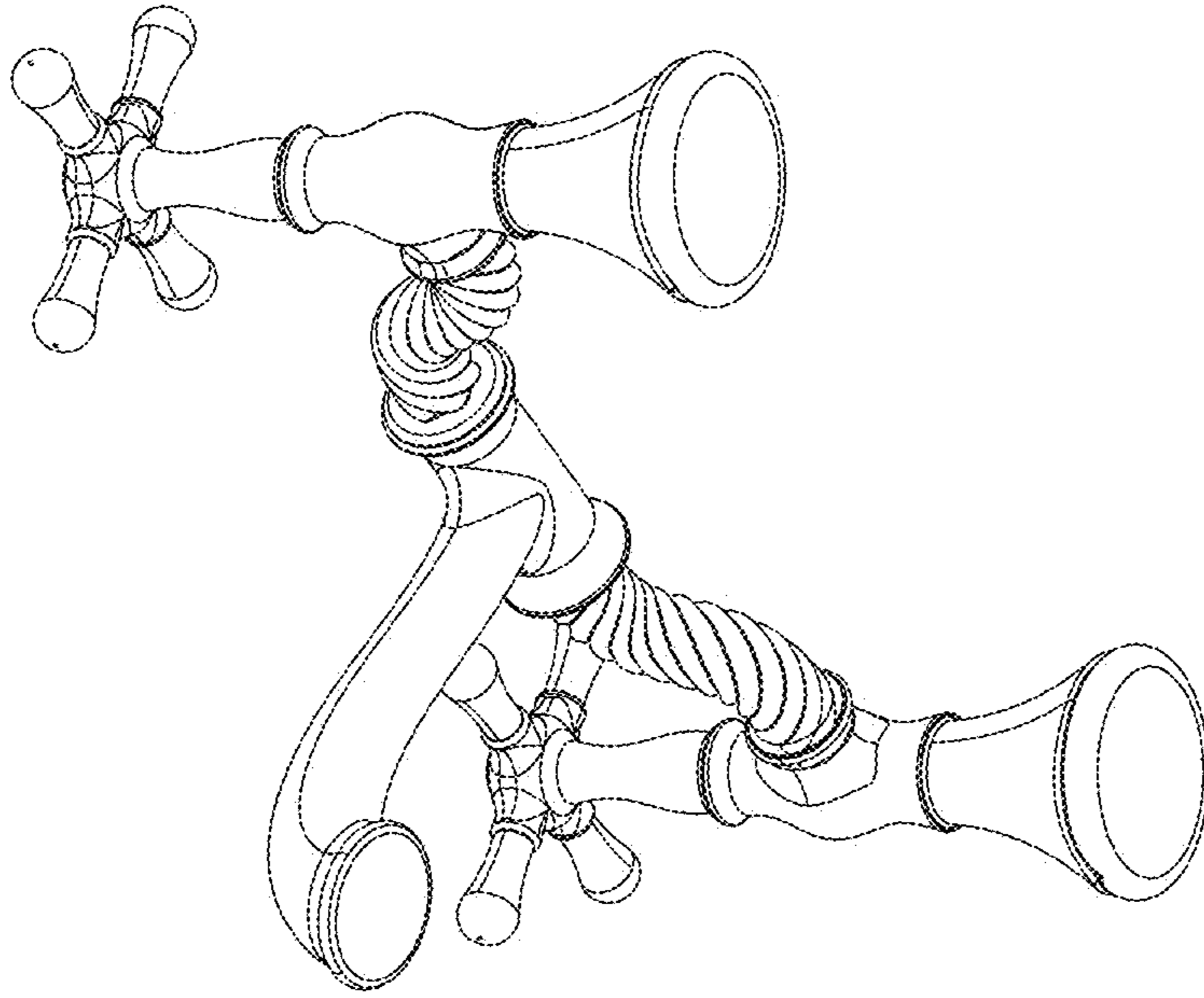


FIG - 2

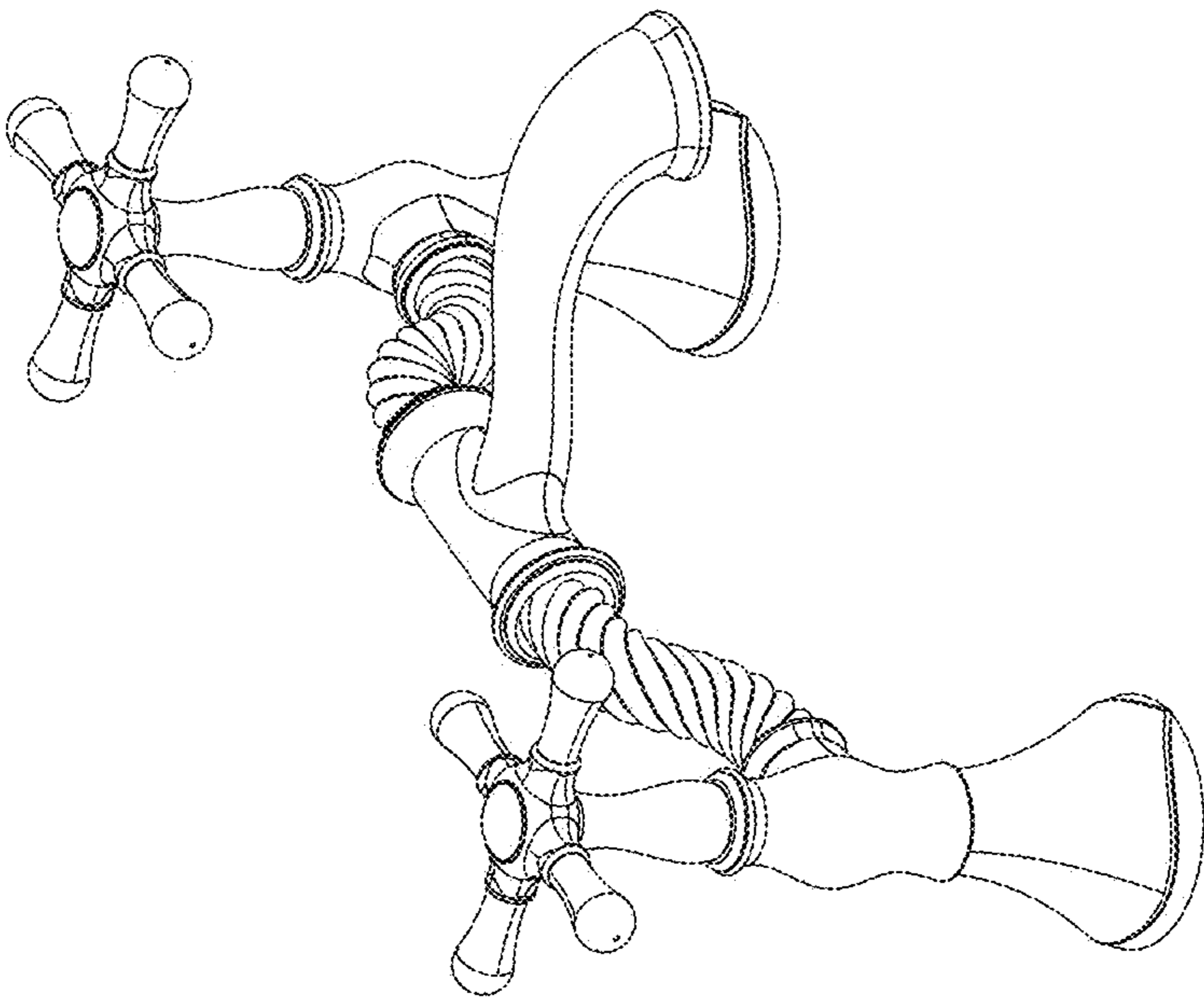


FIG - 1

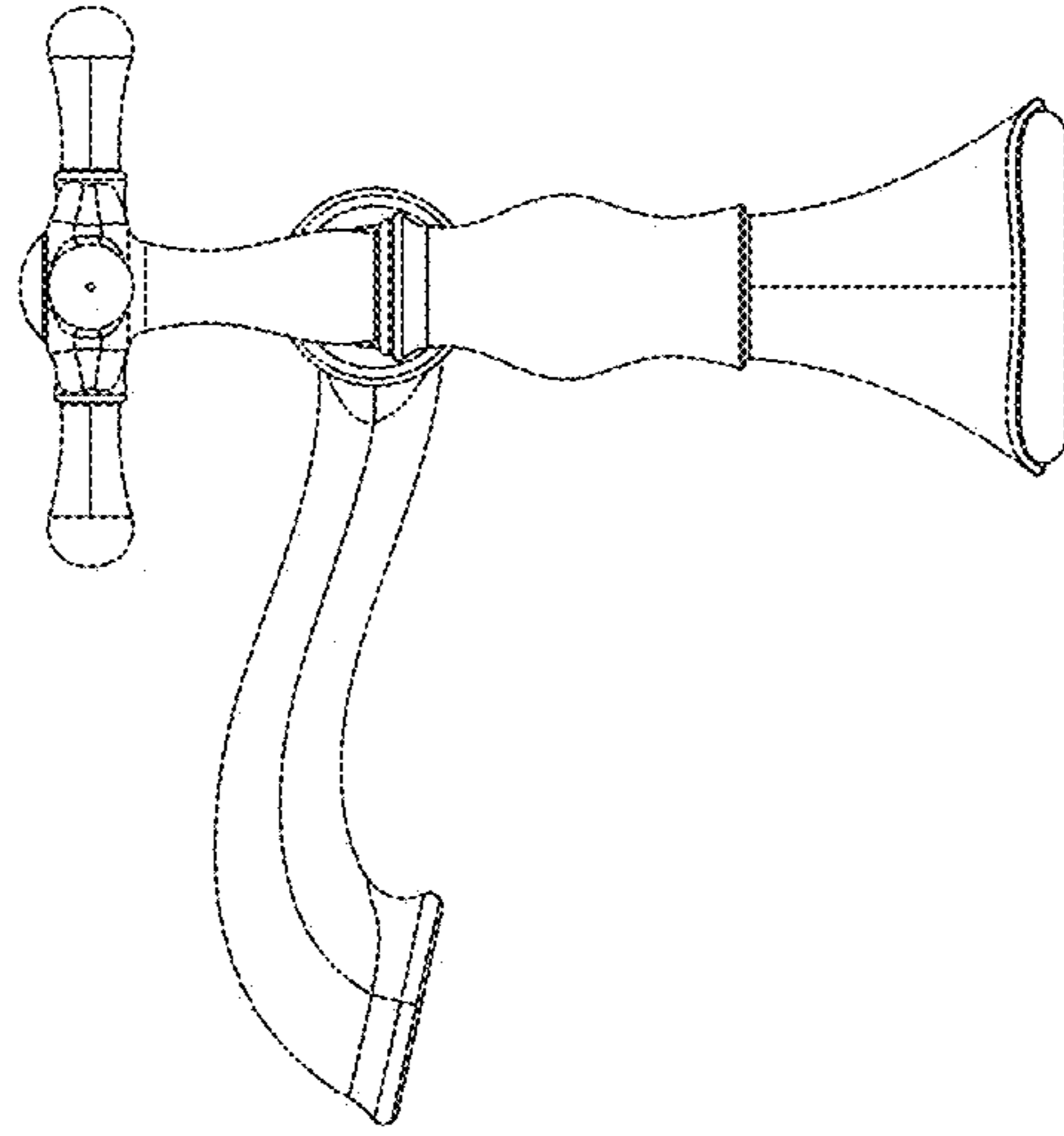


FIG - 4

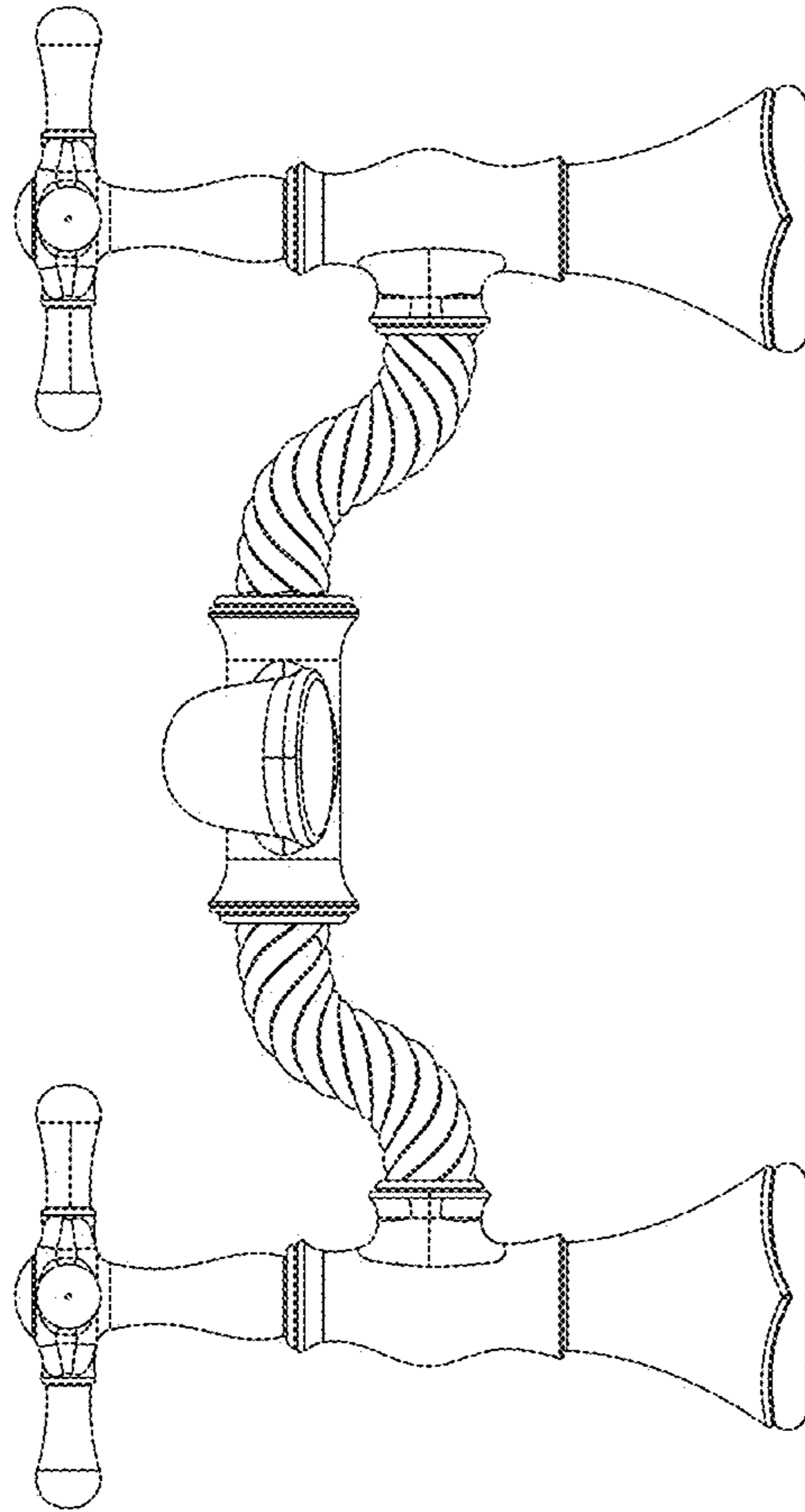


FIG - 3

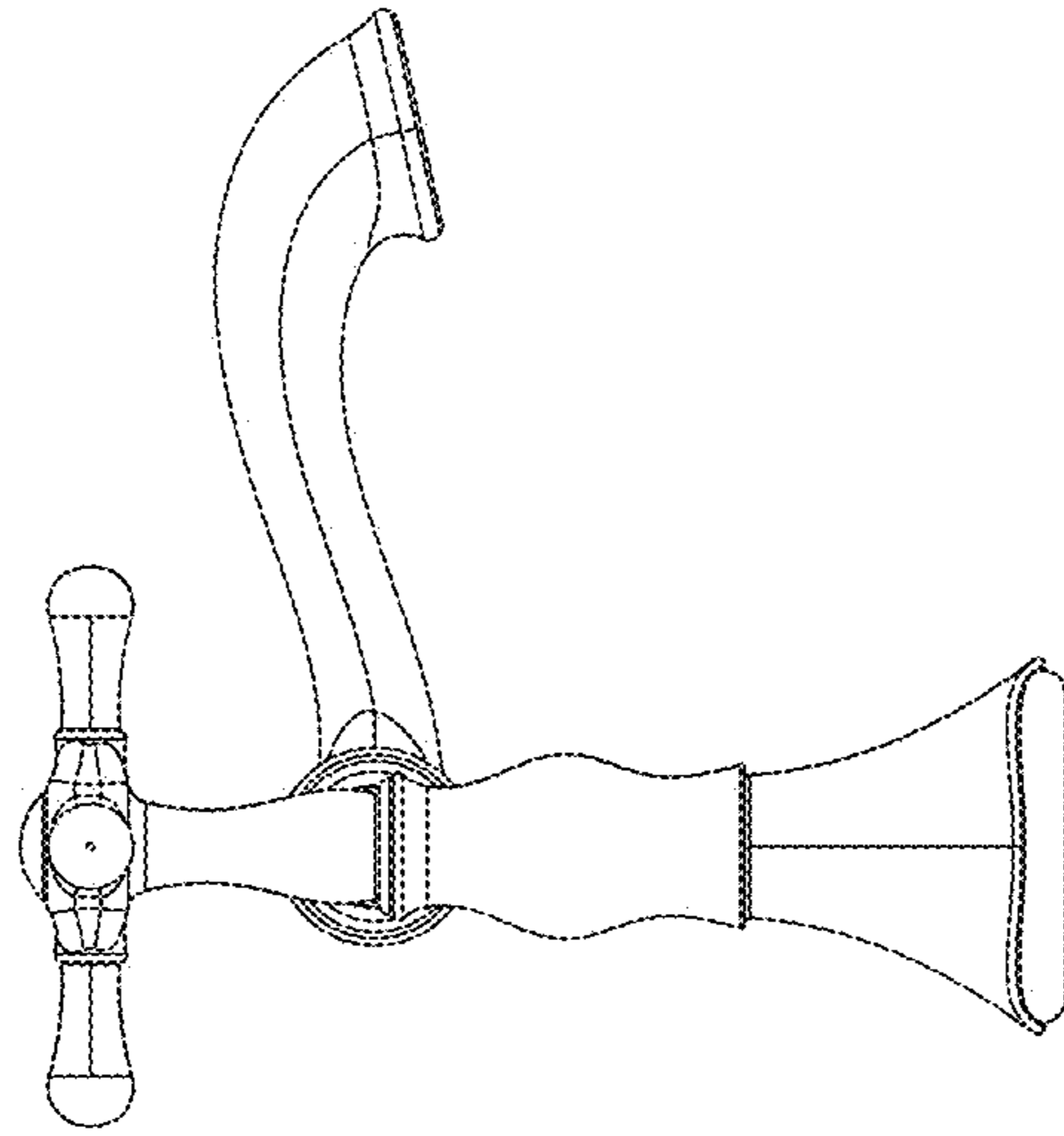


FIG - 6

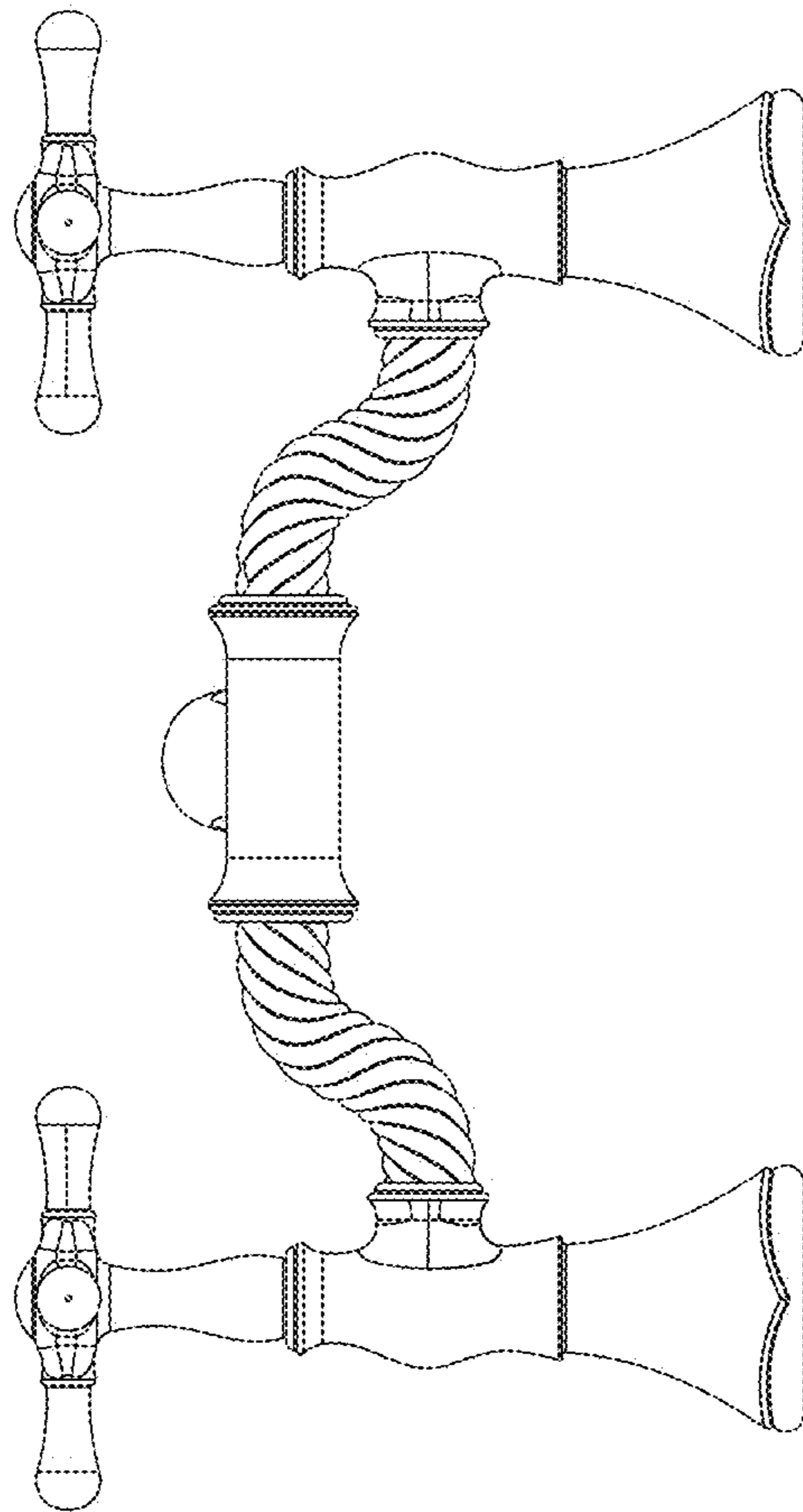


FIG - 5

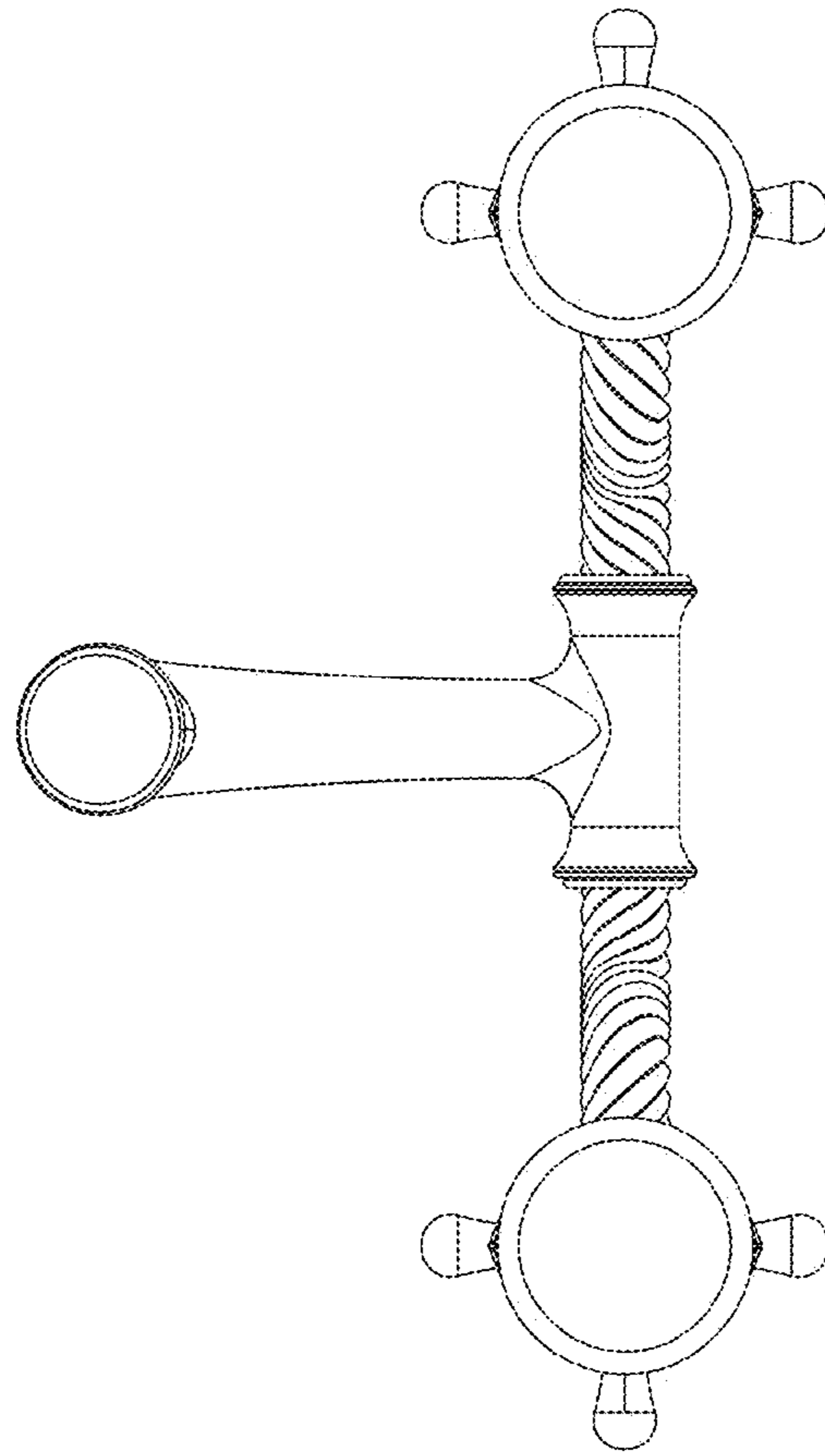


FIG - 8

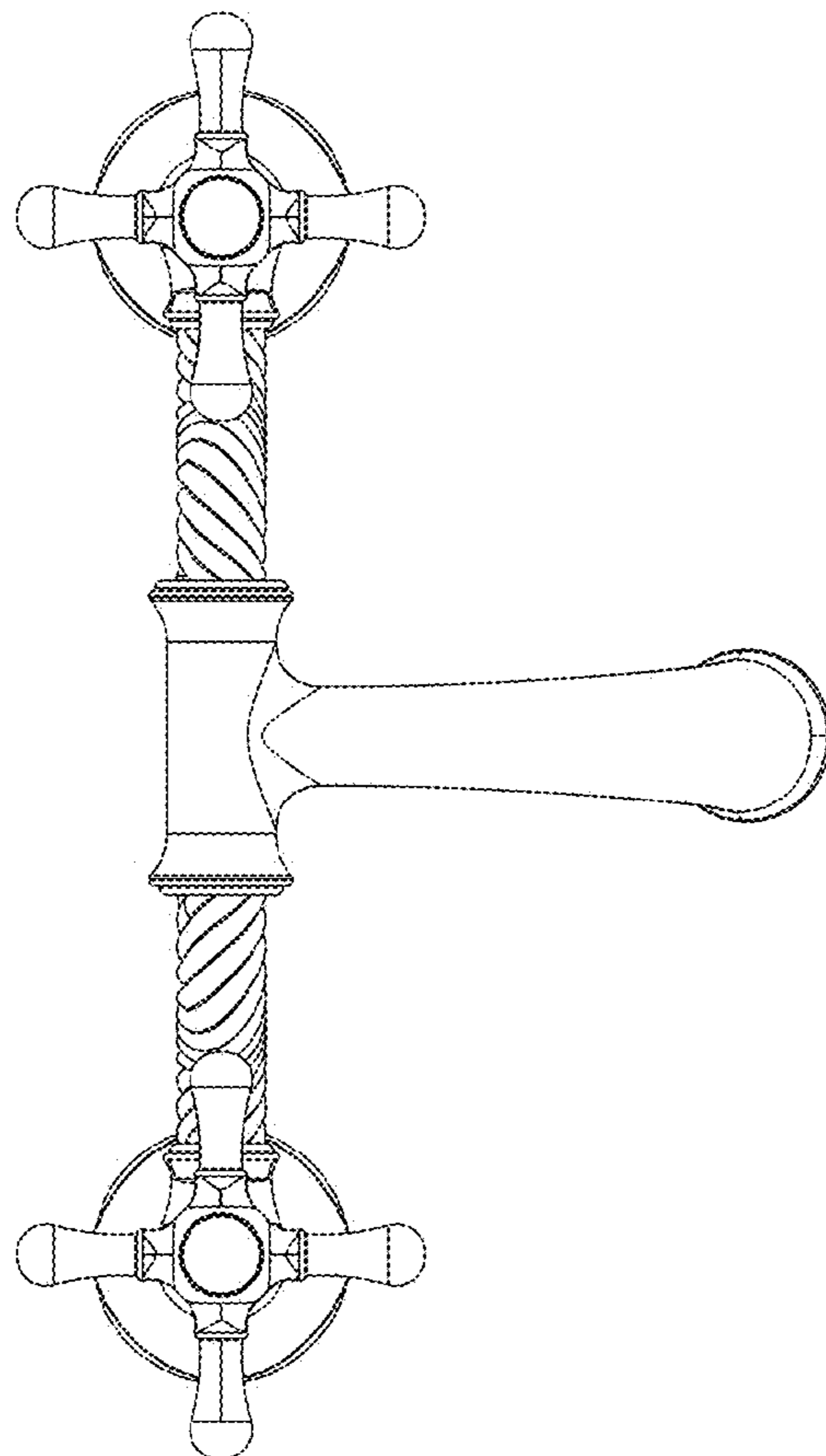


FIG - 7