



US00D969973S

(12) **United States Design Patent**
Gessi

(10) **Patent No.:** **US D969,973 S**

(45) **Date of Patent:** **** Nov. 15, 2022**

(54) **FAUCET**

(71) Applicant: **GESSI S.P.A.**, Serravalle Sesia (IT)

(72) Inventor: **Gian Luca Gessi**, Serravalle Sesia (IT)

(**) Term: **15 Years**

(21) Appl. No.: **35/512,223**

(22) Filed: **Jul. 8, 2021**

(80) **Hague Agreement Data**

Int. Filing Date: **Jul. 8, 2021**

Int. Reg. No.: **DM/215253**

Int. Reg. Date: **Jul. 8, 2021**

Int. Reg. Pub. Date: **Jul. 23, 2021**

(51) **LOC (13) Cl.** **23-01**

(52) **U.S. Cl.**
USPC **D23/238**

(58) **Field of Classification Search**
USPC D23/233, 238, 239, 241–243, 245,
D23/248–250, 255, 257

CPC E03C 1/04; E03C 1/0401; E03C 1/0402;
E03C 1/0404

See application file for complete search history.

(56) **References Cited**

U.S. PATENT DOCUMENTS

D466,979 S * 12/2002 Shulz D23/238
D526,389 S * 8/2006 Lammel D23/238

D538,402 S * 3/2007 Lammel D23/243
D622,361 S * 8/2010 Lammel D23/255
D635,221 S * 3/2011 Rubin D23/238
D658,744 S * 5/2012 Starck D23/238
D685,878 S * 7/2013 Fritz D23/238
D734,433 S * 7/2015 Sieger D23/238
D737,937 S * 9/2015 Flowers D23/238
D820,400 S * 6/2018 Eads D23/238
D828,510 S * 9/2018 Zeisel D23/238
D846,077 S * 4/2019 Liu D23/238
D856,485 S * 8/2019 Gessi D23/238
D905,202 S * 12/2020 Zhang D23/238
D914,147 S * 3/2021 Flaig D23/238
D957,575 S * 7/2022 Downey D23/238

* cited by examiner

Primary Examiner — Keli L Hill

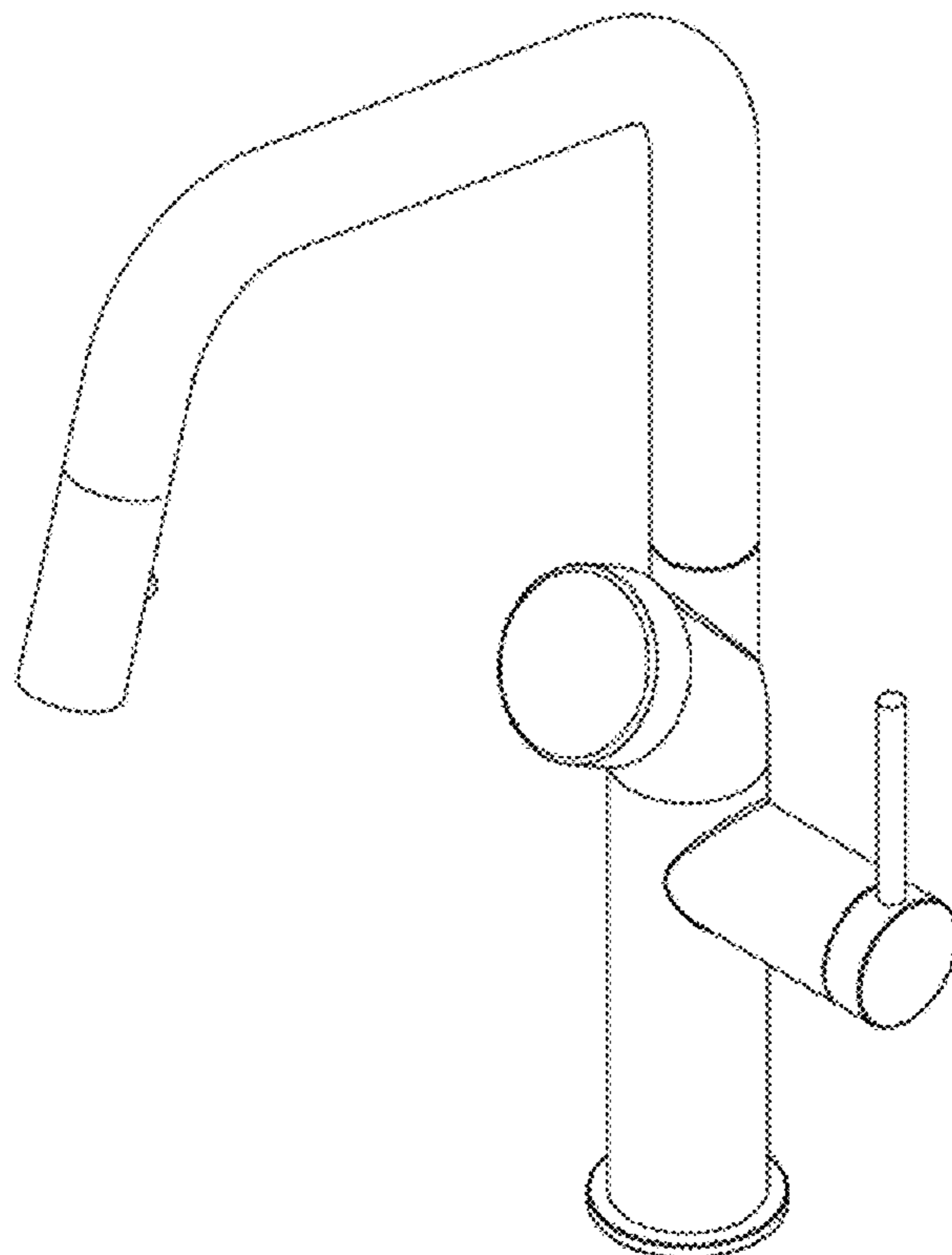
(57) **CLAIM**

The ornamental design for a faucet, as shown and described.

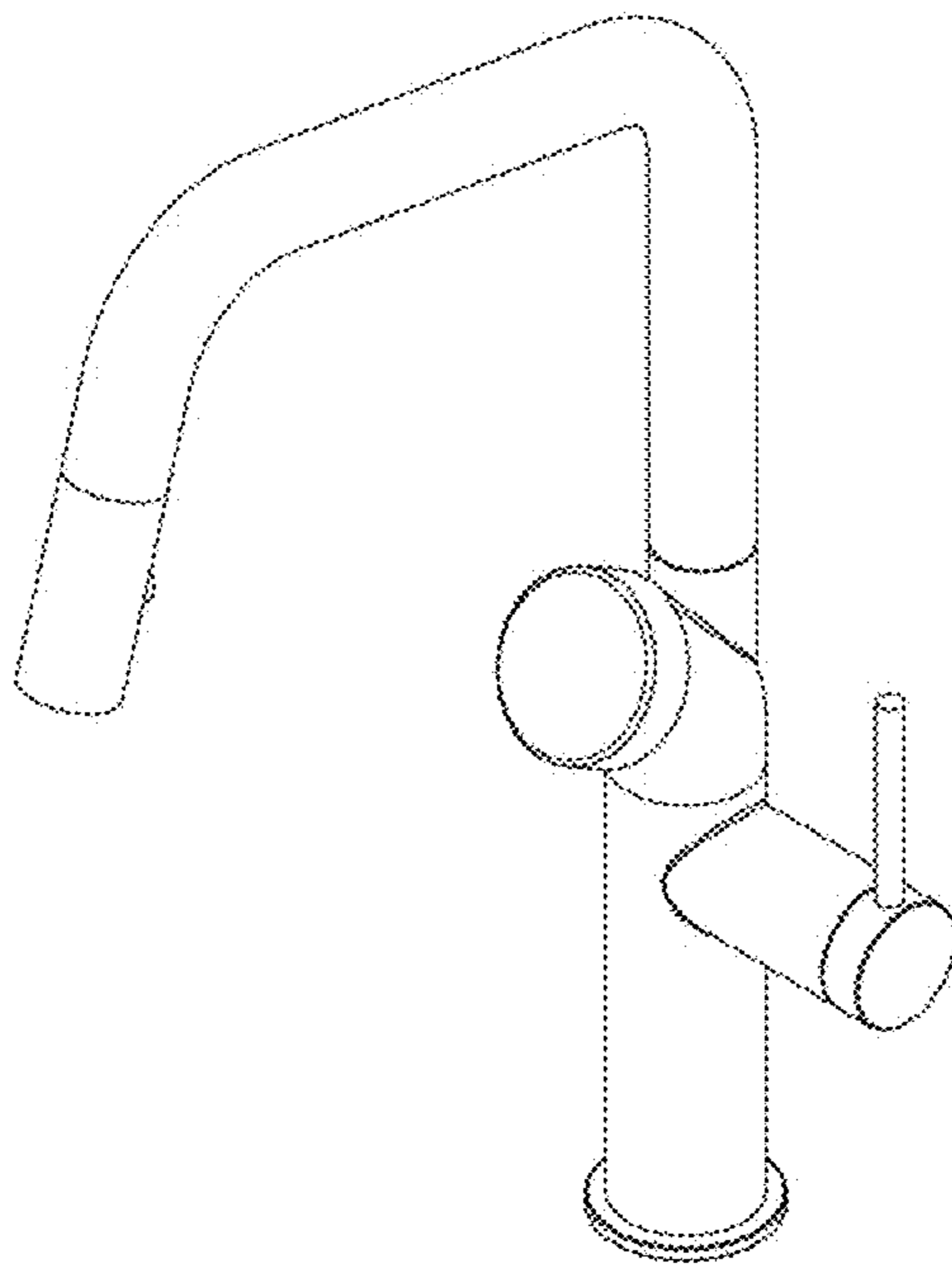
DESCRIPTION

- 1. Faucet
- 1.1 : Perspective
- 1.2 : Front
- 1.3 : Bottom
- 1.4 : Top
- 1.5 : Left
- 1.6 : Right

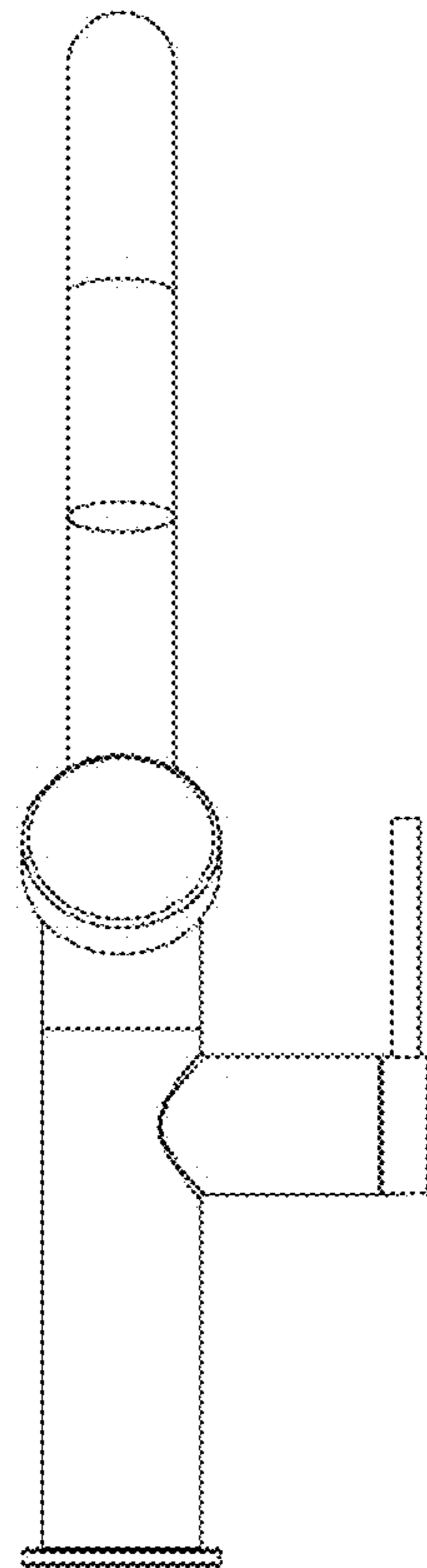
1 Claim, 6 Drawing Sheets



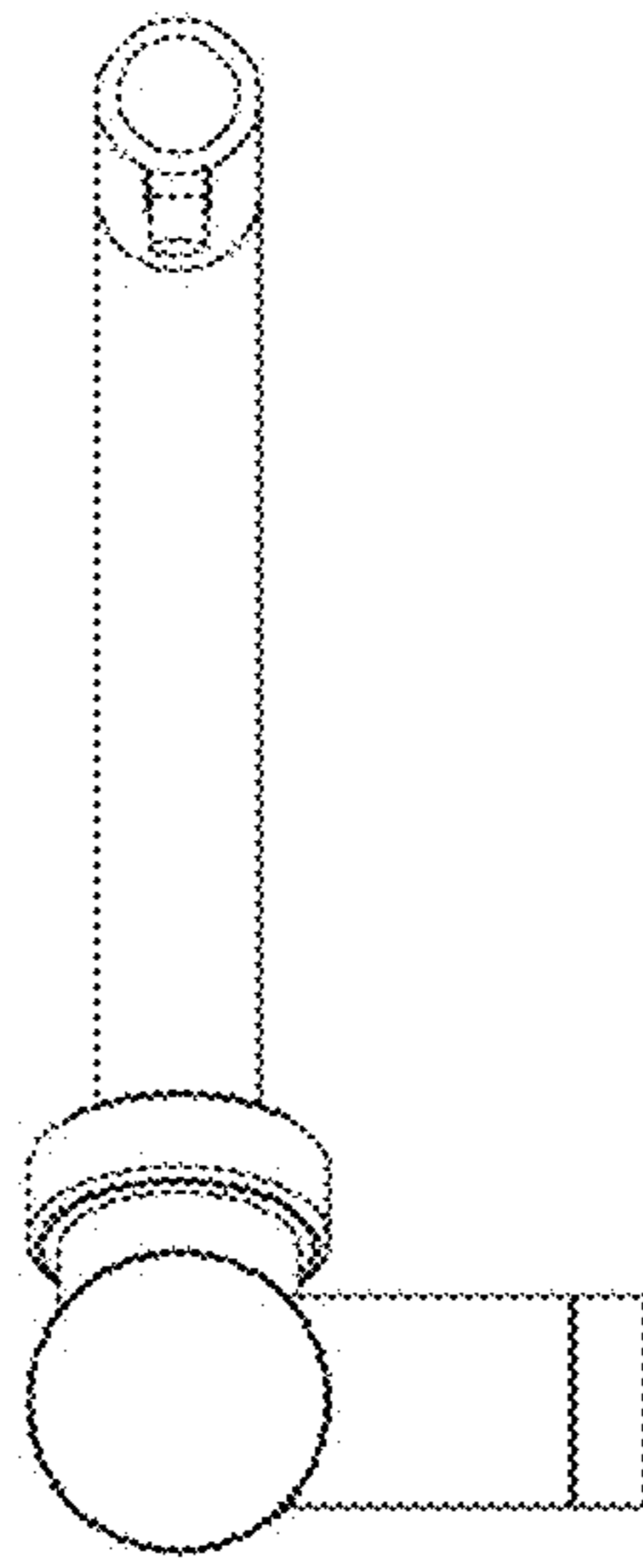
1.1



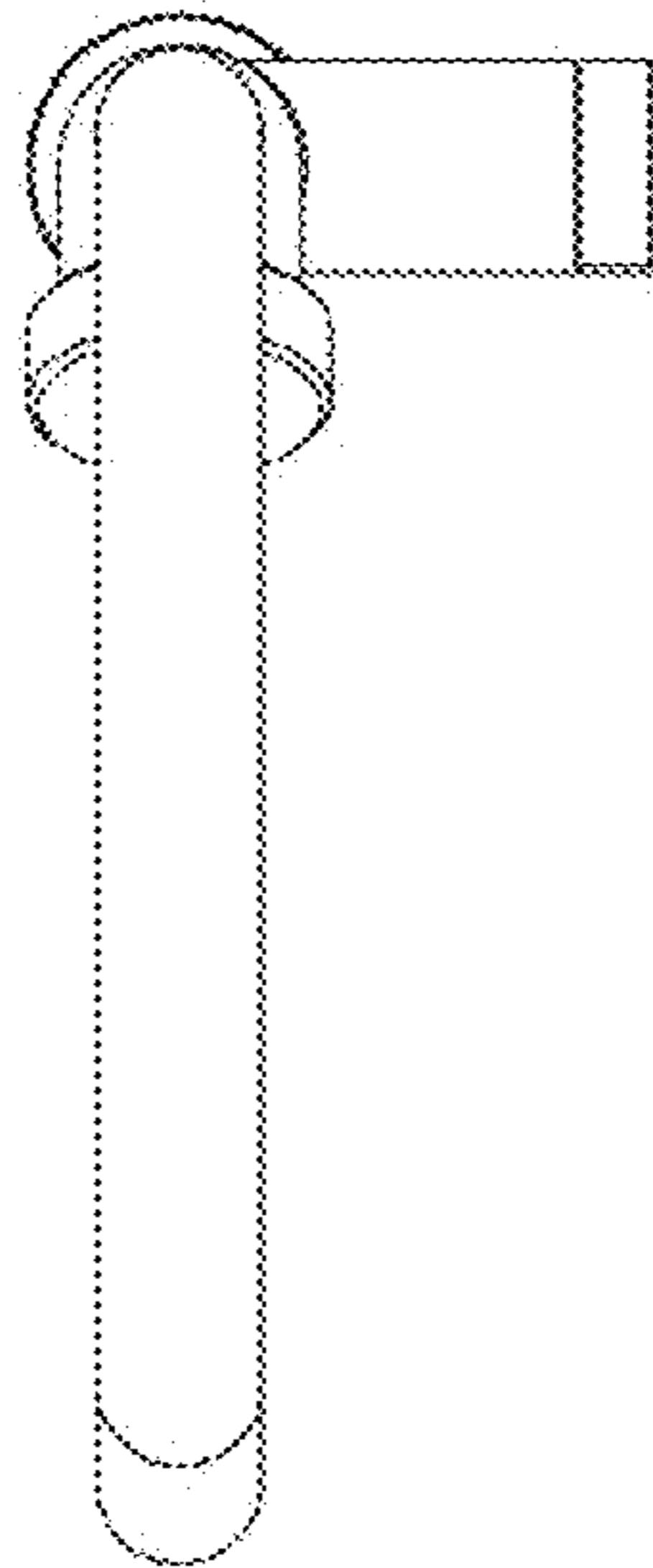
1.2



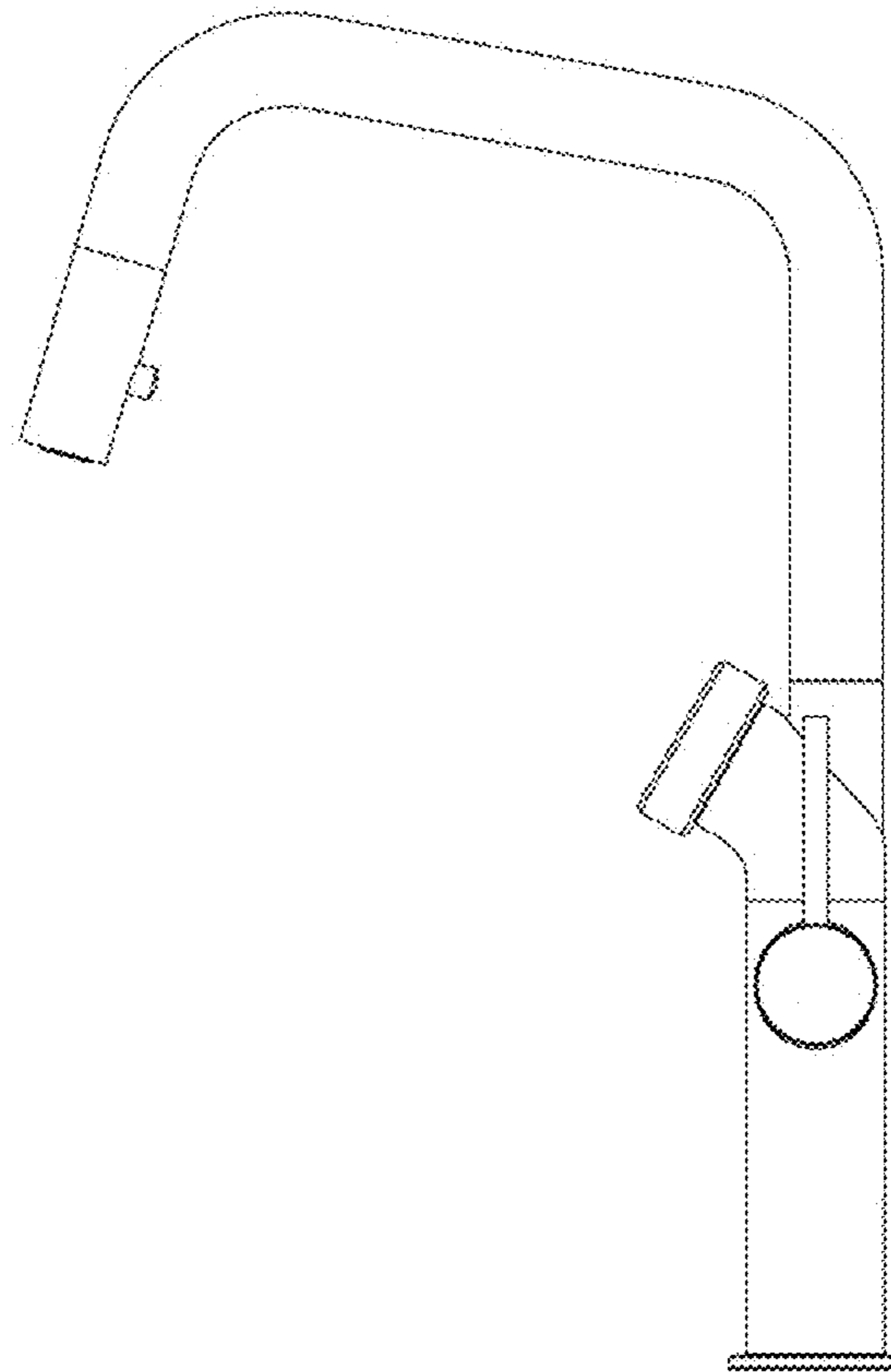
1.3



1.4



1.5



1.6

