



US00D969972S

(12) **United States Design Patent** (10) **Patent No.:** **US D969,972 S**
Garland (45) **Date of Patent:** **** Nov. 15, 2022**

(54) **FAUCET BODY**
(71) Applicant: **DELTA FAUCET COMPANY**,
Indianapolis, IN (US)
(72) Inventor: **Celine Kwok Garland**, Zionsville, IN
(US)
(73) Assignee: **DELTA FAUCET COMPANY**,
Indianapolis, IN (US)
(**) Term: **15 Years**
(21) Appl. No.: **29/773,738**
(22) Filed: **Mar. 11, 2021**
(51) **LOC (13) Cl.** **23-01**
(52) **U.S. Cl.**
USPC **D23/238**
(58) **Field of Classification Search**
USPC D23/238, 239, 240, 241, 242, 243, 246,
D23/247, 249, 250, 251, 252, 253, 254,
D23/255, 256, 257
CPC E03C 1/00; E03C 1/01; E03C 1/02; E03C
1/023; E03C 1/04; E03C 1/0401; E03C
1/0404; E03C 1/0412; E03C 1/042; E03C
1/05; F16K 31/60
See application file for complete search history.

D871,556 S * 12/2019 Eads D23/257
D919,768 S * 5/2021 Garland D23/255
D930,117 S * 9/2021 Fritz D23/238
D947,323 S * 3/2022 Stoler D23/238

FOREIGN PATENT DOCUMENTS

CN 201630201883 * 5/2016
CN 201730389186 * 8/2017
CN 201930245729.9 * 5/2019
CN 201930381801.0 * 7/2019

OTHER PUBLICATIONS

Amazon, Solepearl Bathroom Mixer Tap, posted Jan. 2, 2020,
[online], [visited May 6, 2022]. Internet, <URL: <https://www.amazon.co.uk/Solepearl-Bathroom-Lavatory-Antique-Vintage/dp/B07VWTCDWV/ref>> (Year: 2020).*

* cited by examiner

Primary Examiner — Samantha Wood
(74) *Attorney, Agent, or Firm* — Nirav D. Parikh; Jeffrey
L. Doyle

(57) **CLAIM**

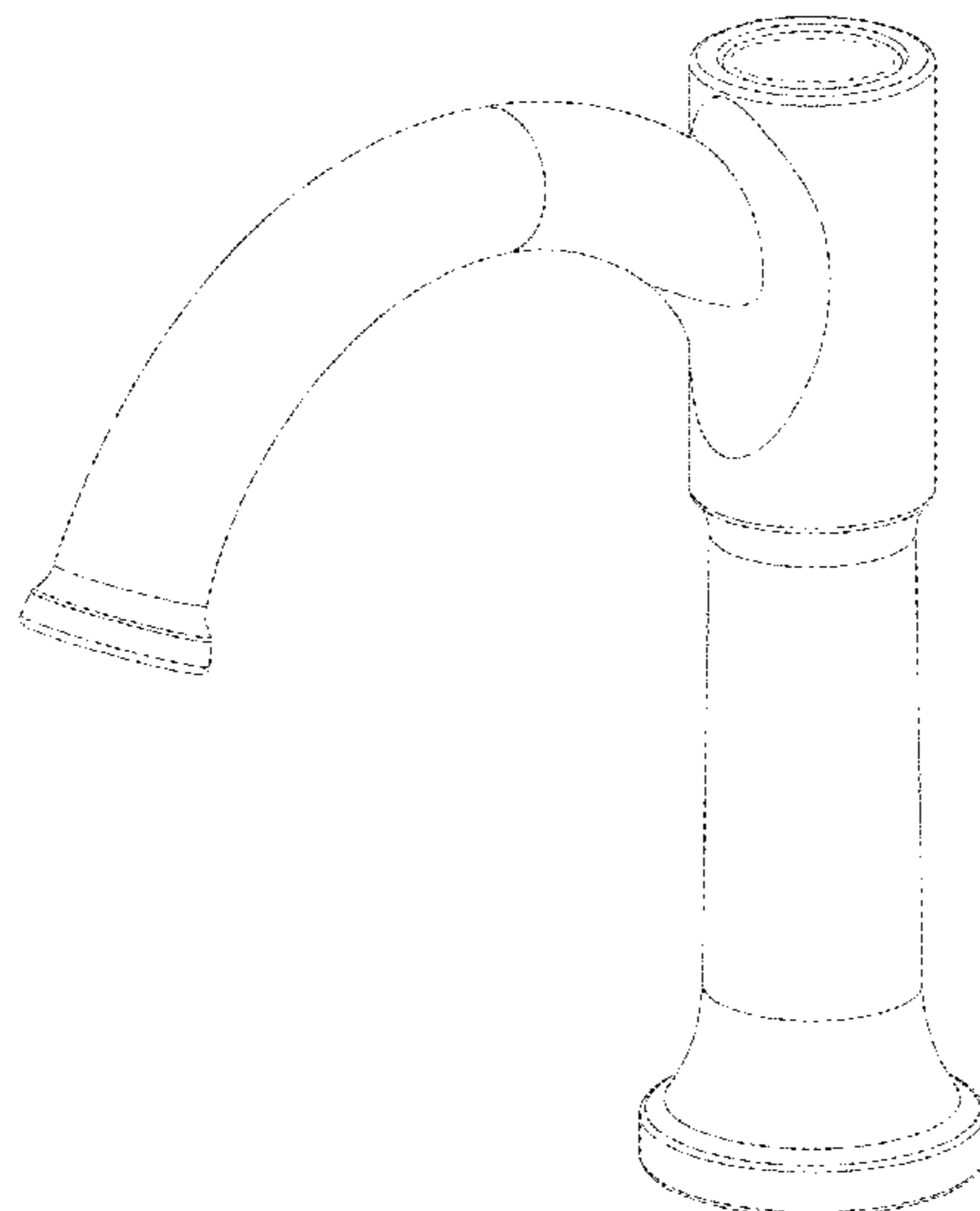
The ornamental design for a faucet body, as shown and
described.

DESCRIPTION

FIG. 1 is a front perspective view of a faucet body showing
my new design;
FIG. 2 is a rear perspective view thereof;
FIG. 3 is a front elevational view thereof;
FIG. 4 is a left side view thereof;
FIG. 5 is a rear view thereof;
FIG. 6 is a right side view thereof;
FIG. 7 is a top plan view thereof; and,
FIG. 8 is a bottom view thereof.
The broken lines shown in the figures depict portions of the
faucet body that form no part of the claimed design.

1 Claim, 4 Drawing Sheets

(56) **References Cited**
U.S. PATENT DOCUMENTS
D551,323 S * 9/2007 Krumpe D23/238
D583,908 S * 12/2008 Downey D23/238
D625,392 S * 10/2010 Kulig D23/242
D686,300 S * 7/2013 Fritz D23/238
D702,455 S * 4/2014 Garland D6/542
D704,802 S * 5/2014 Hahn D23/238
D752,717 S * 3/2016 Eads D23/238
D797,895 S * 9/2017 Schaubach D23/252
D810,880 S * 2/2018 Bahler D23/249
D840,508 S * 2/2019 Garland D23/238
D840,509 S * 2/2019 Garland D23/238
D840,514 S * 2/2019 Garland D23/255



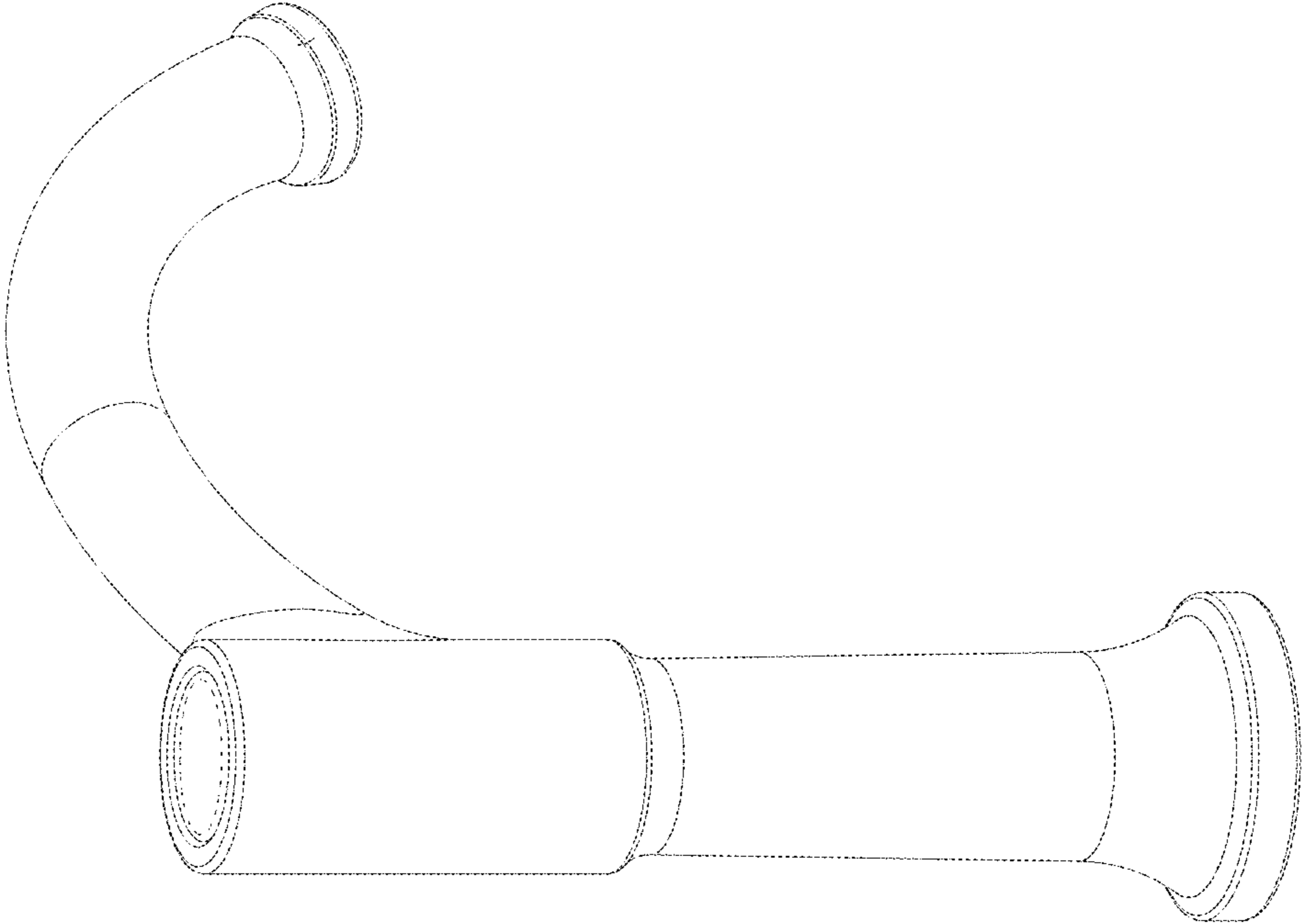


FIG. 2

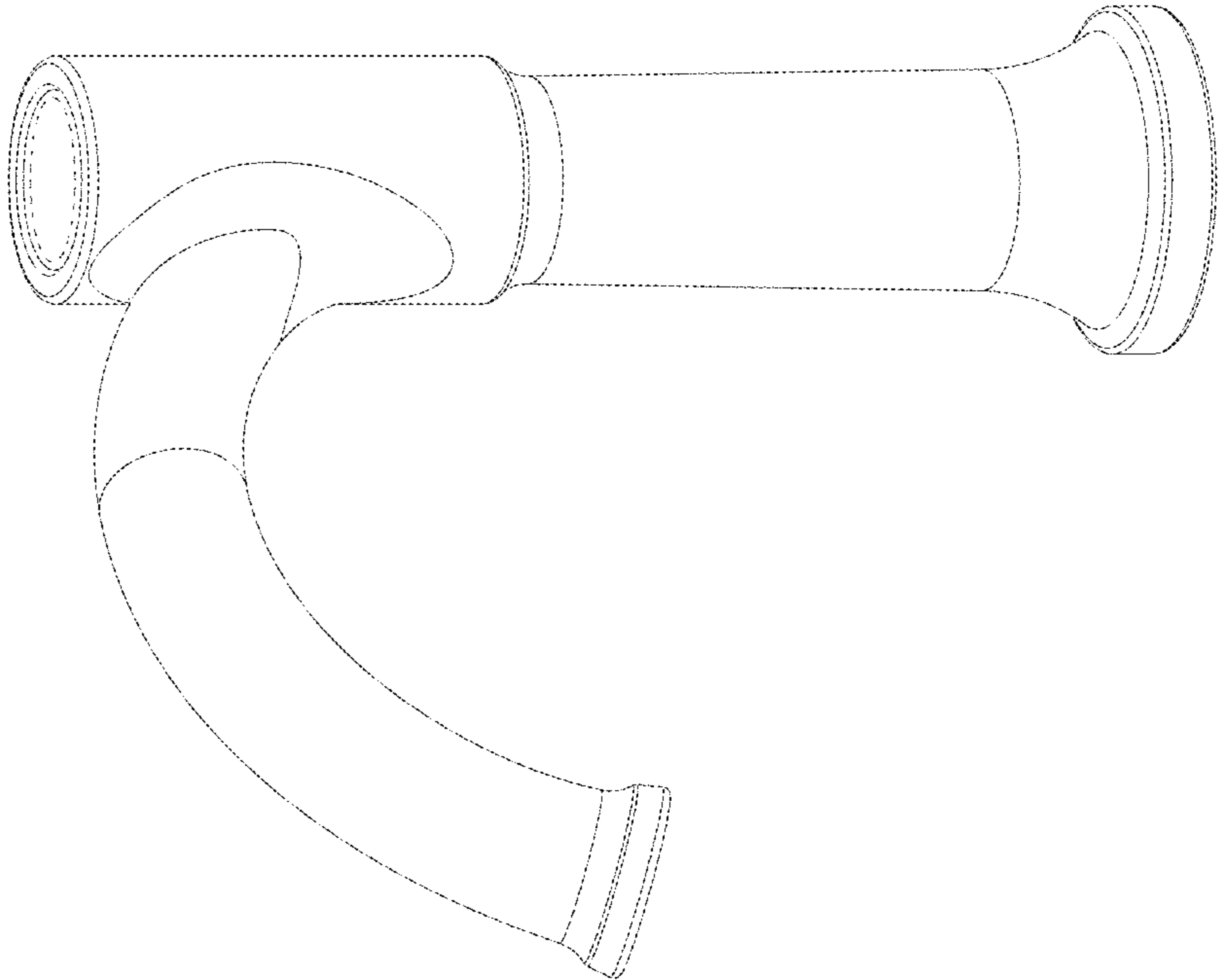


FIG. 1

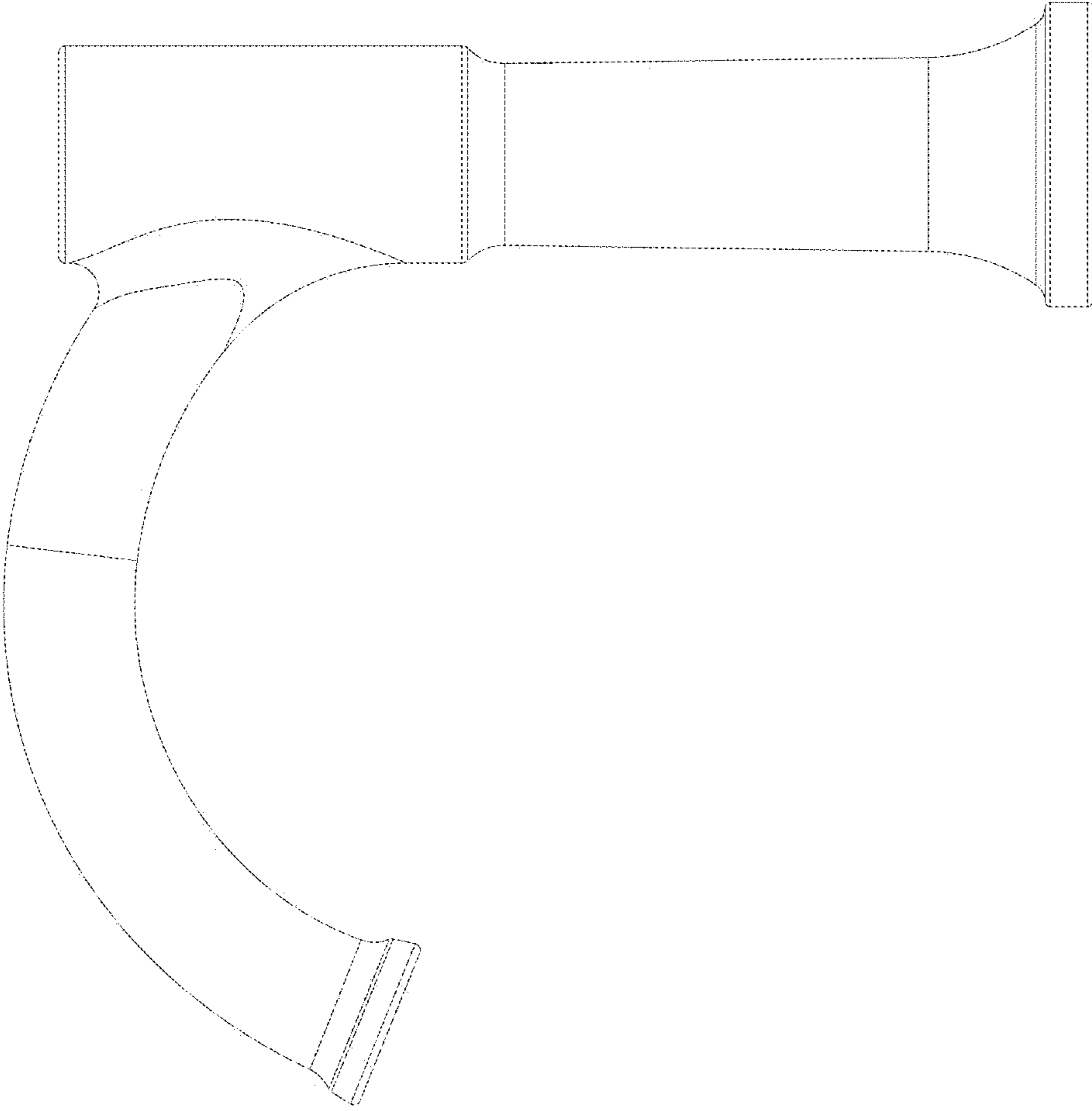


FIG. 3

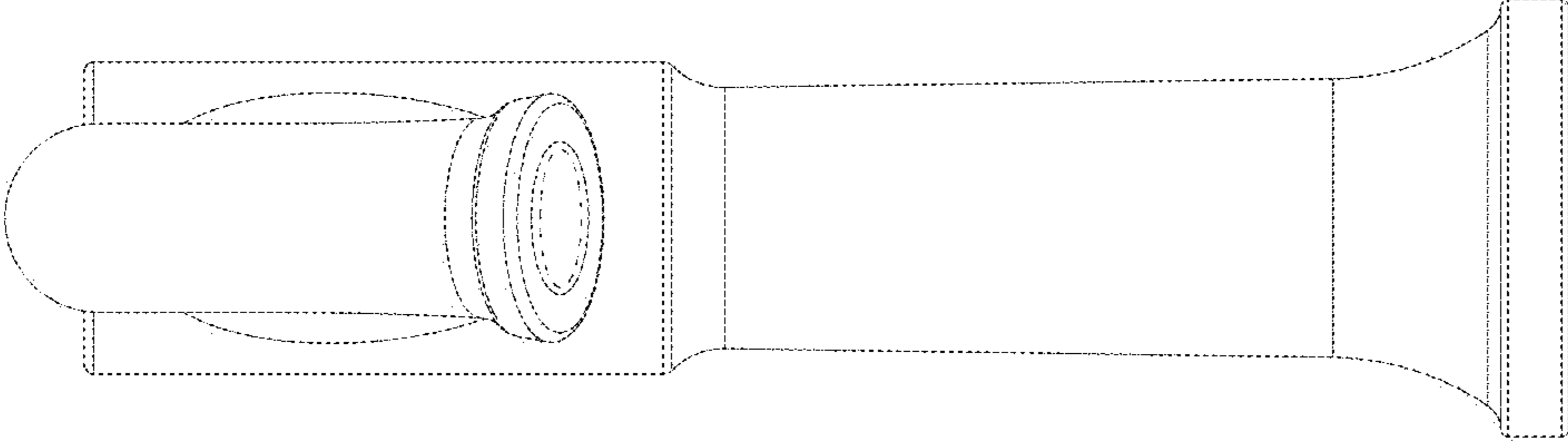


FIG. 4

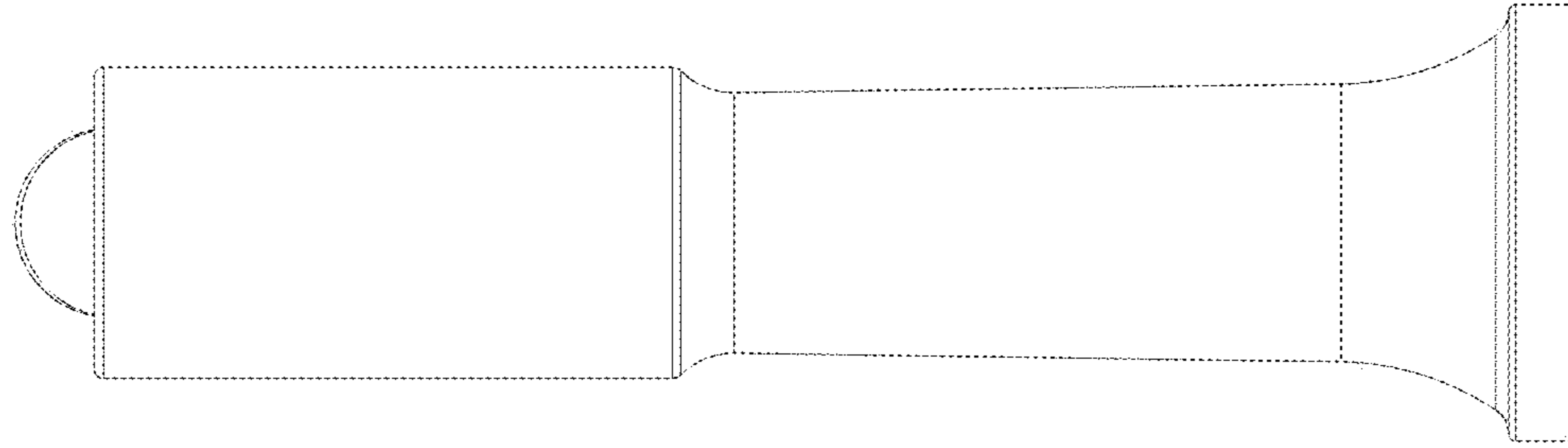


FIG. 6

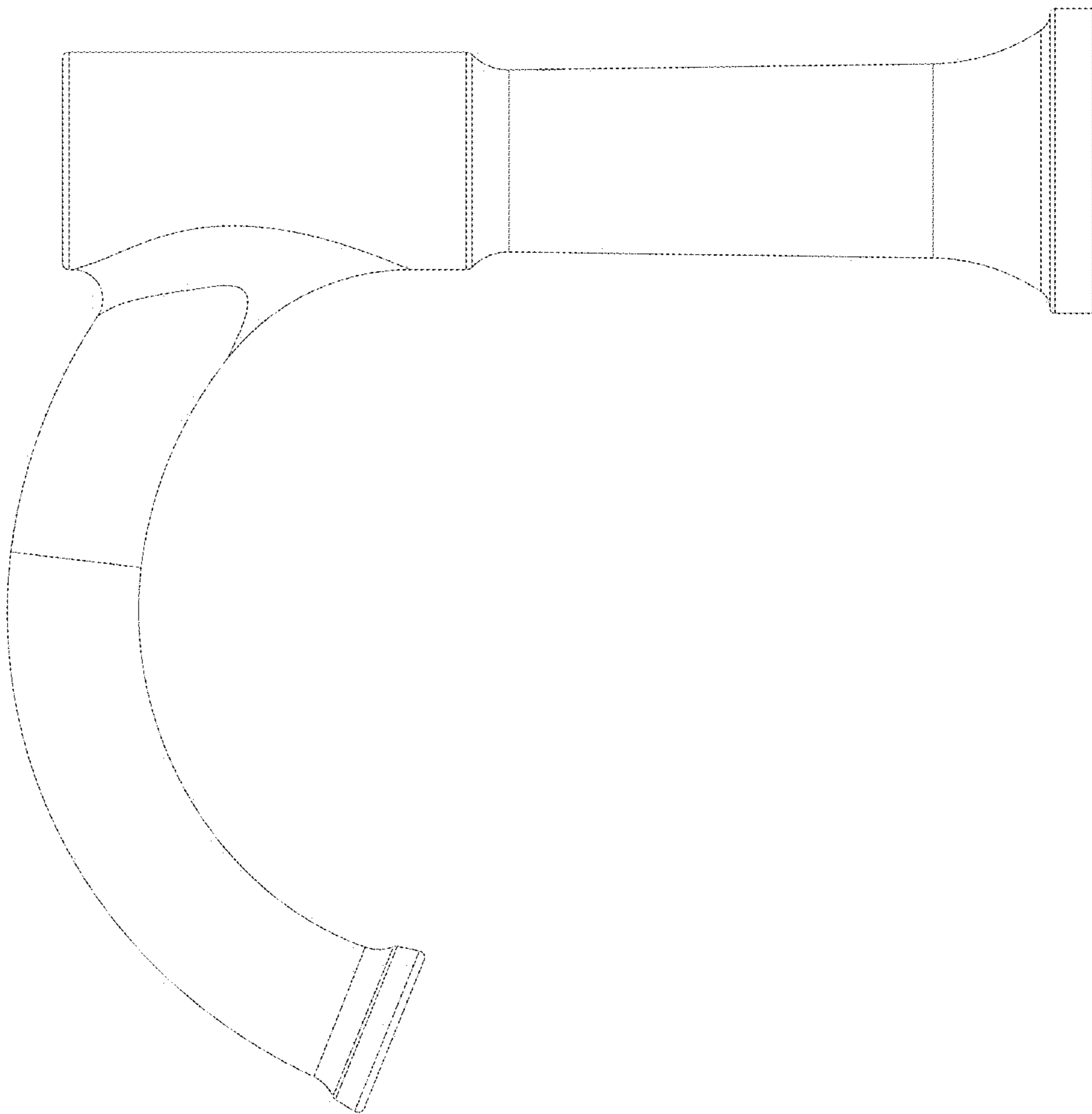


FIG. 5

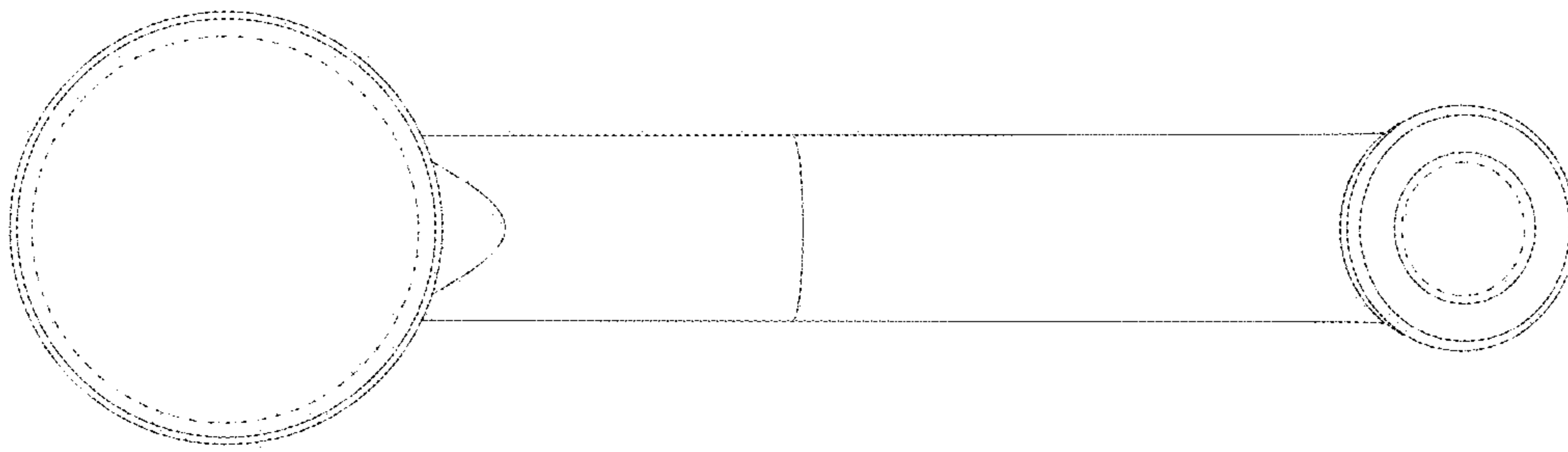


FIG. 8

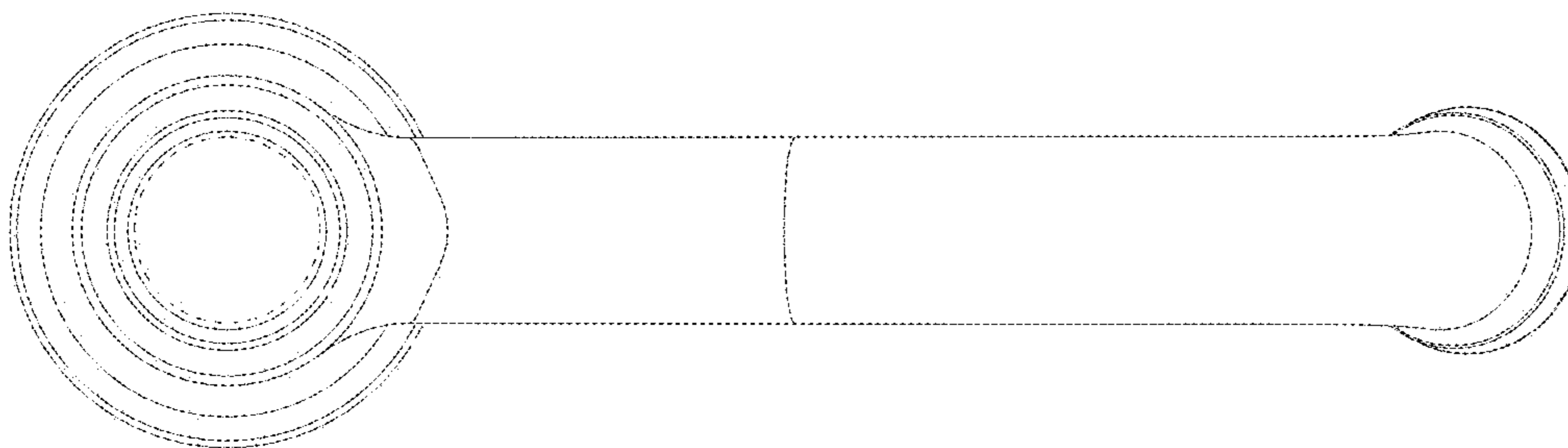


FIG. 7