



US00D969971S

(12) **United States Design Patent**
Upadhyaya

(10) **Patent No.:** **US D969,971 S**

(45) **Date of Patent:** **** Nov. 15, 2022**

(54) **FAUCET**

(71) Applicant: **DELTA FAUCET COMPANY,**
Indianapolis, IN (US)

(72) Inventor: **Alexandra Upadhyaya,** Midlothian, VA
(US)

(73) Assignee: **DELTA FAUCET COMPANY,**
Indianapolis, IN (US)

(**) Term: **15 Years**

(21) Appl. No.: **29/755,023**

(22) Filed: **Oct. 16, 2020**

(51) **LOC (13) Cl.** **23-01**

(52) **U.S. Cl.**
USPC **D23/238**

(58) **Field of Classification Search**
USPC D23/257, 249, 233, 238, 239, 240, 241,
D23/242, 243, 250, 251, 252, 253, 254,
D23/255, 259
CPC E03C 1/01; E03C 1/0409; E03C 1/025;
E03C 1/0408; E03C 1/04; E03C 1/0401;
E03C 1/0402; E03C 1/0405; E03C
1/0412; Y10T 137/5339; Y10T 137/6014;
Y10T 137/6021

See application file for complete search history.

(56) **References Cited**

U.S. PATENT DOCUMENTS

D434,119 S * 11/2000 Milrud D23/250
D560,942 S * 2/2008 Hanna D6/542
D579,086 S * 10/2008 Schonherr D23/252
D624,158 S * 9/2010 Roy D23/238
D812,201 S * 3/2018 Ichikawa D15/5
D835,236 S * 12/2018 Ziemann D23/238

D873,379 S * 1/2020 Fritz D23/238
D931,418 S * 9/2021 Para D23/238
D939,048 S * 12/2021 Fritz D23/226
D941,430 S * 1/2022 Para D23/252
2021/0062483 A1* 3/2021 Yan E03C 1/0409

FOREIGN PATENT DOCUMENTS

CN 201930741857.2 * 12/2019
CN 202030633942.X * 10/2020
CN 202030782541.0 * 12/2020
CN 202030811845.5 * 12/2020

* cited by examiner

Primary Examiner — Samantha Wood

(74) *Attorney, Agent, or Firm* — Nirav D. Parikh; Jeffrey
L. Doyle

(57) **CLAIM**

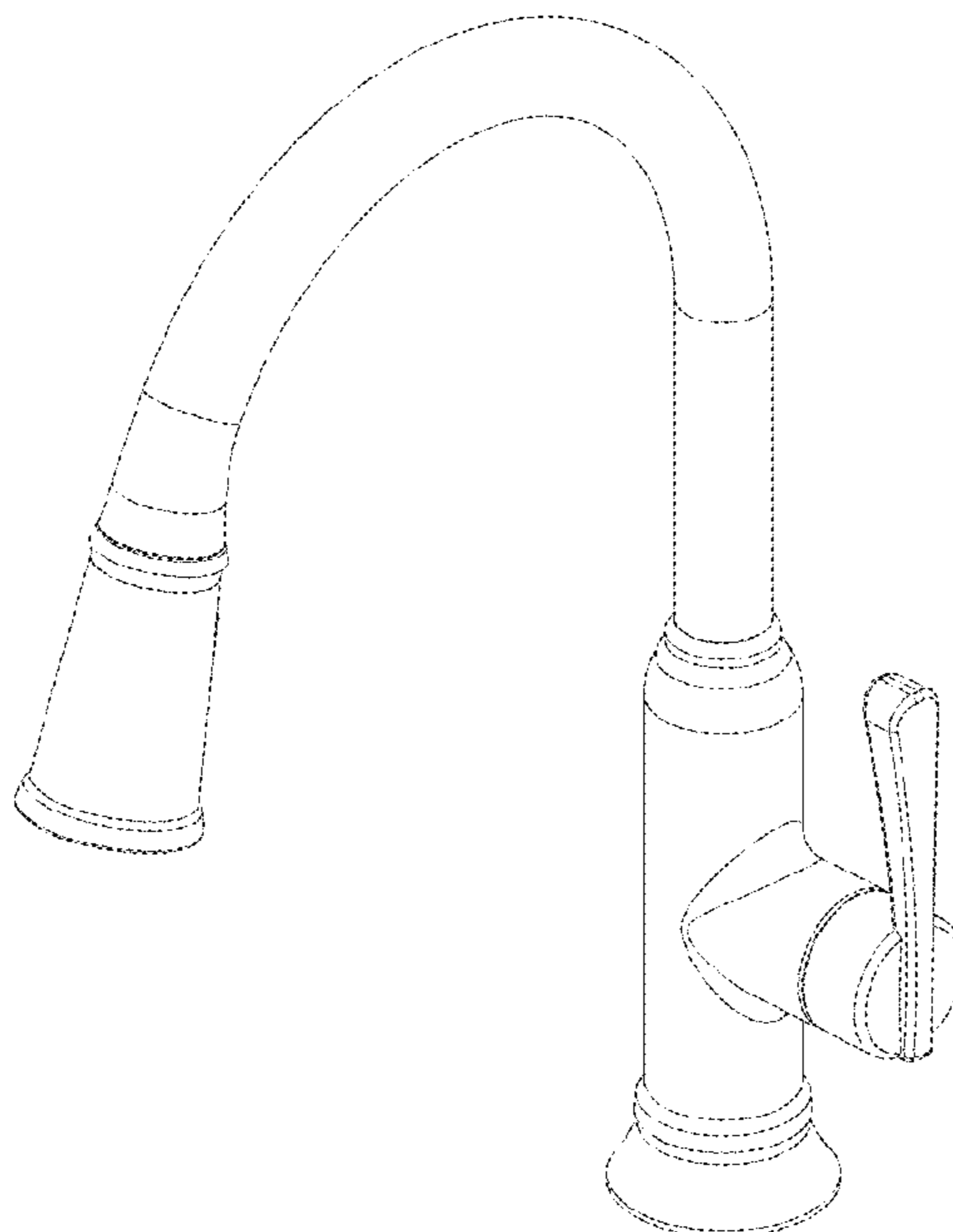
The ornamental design for a faucet, as shown and described.

DESCRIPTION

FIG. 1 is a front perspective view of a faucet showing my
new design;
FIG. 2 is a rear perspective view thereof;
FIG. 3 is a front elevational view thereof;
FIG. 4 is a left side view thereof;
FIG. 5 is a rear view thereof;
FIG. 6 is a right side view thereof;
FIG. 7 is a top plan view thereof; and,
FIG. 8 is a bottom view thereof.

The broken lines are included for the purpose of illustrating
portions of the faucet and forms no part of the claimed
design.

1 Claim, 4 Drawing Sheets



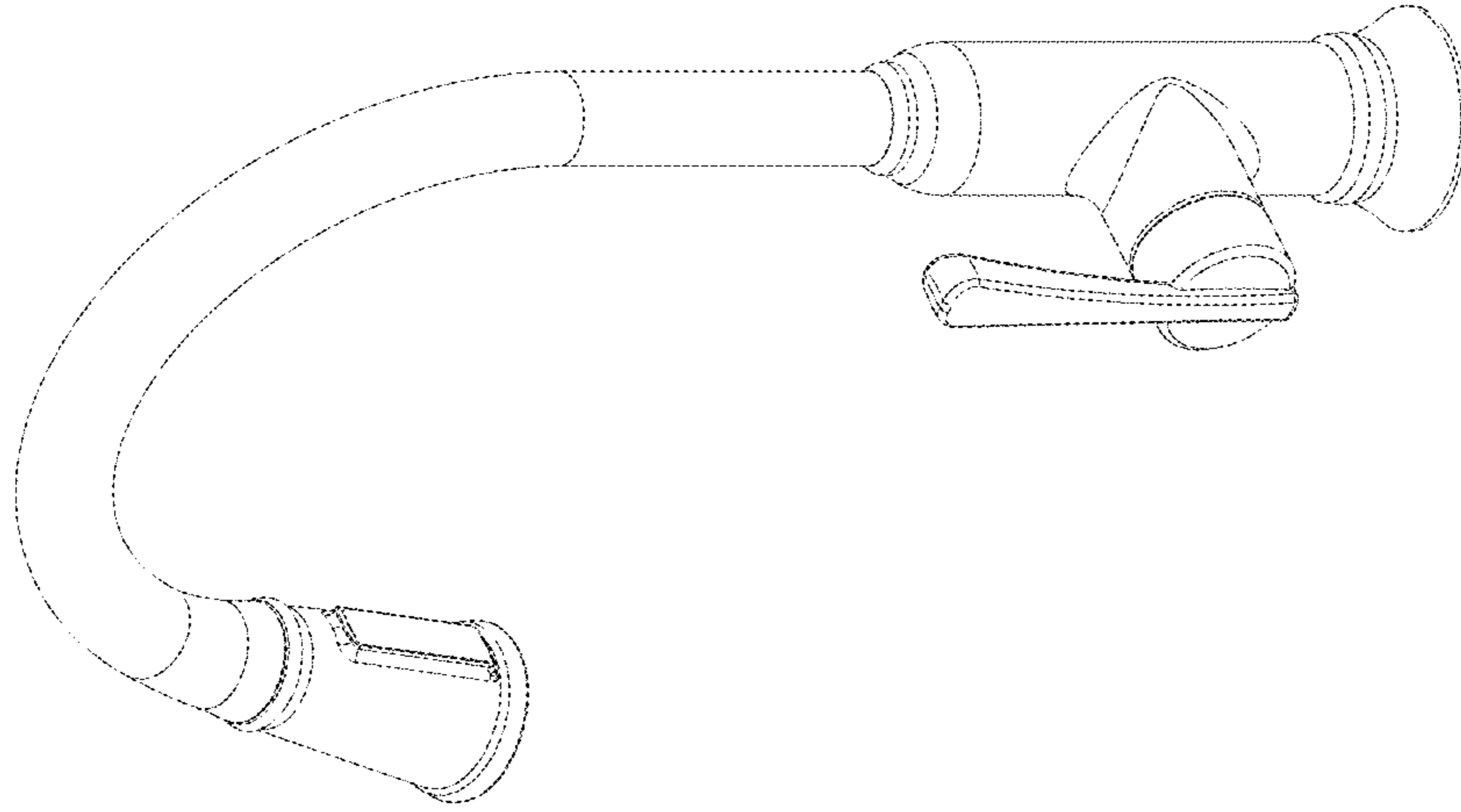


FIG. 1

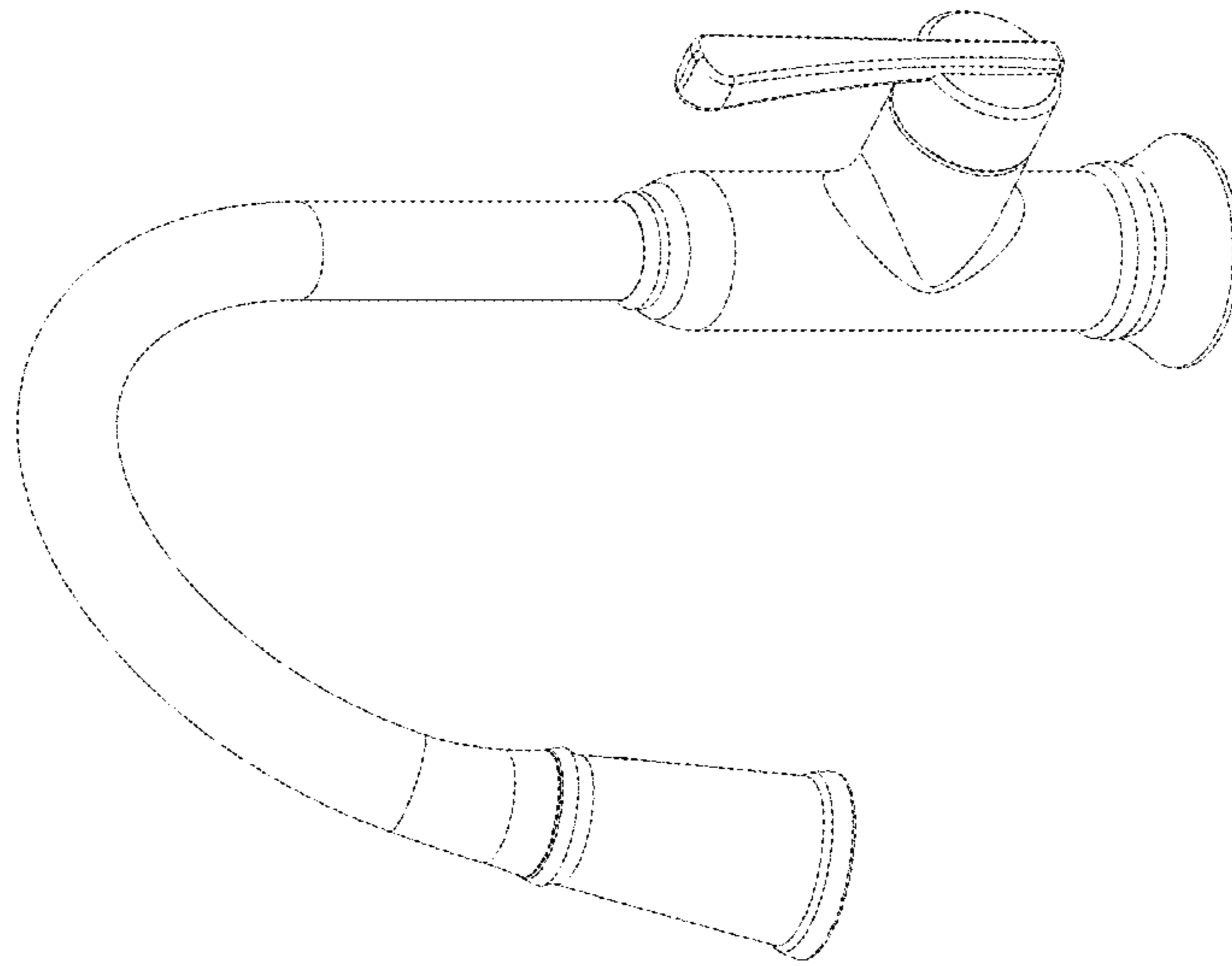


FIG. 2

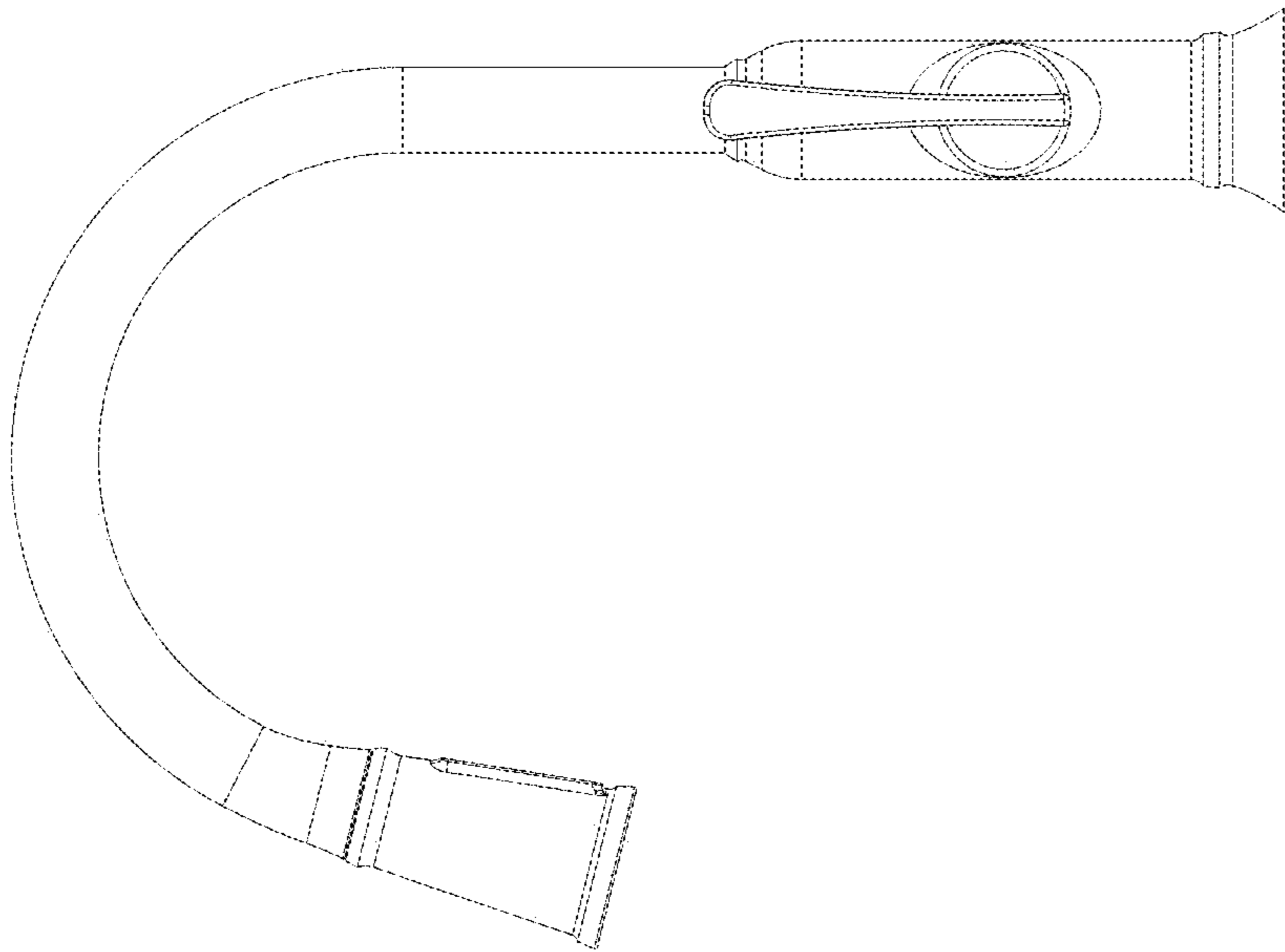


FIG. 4

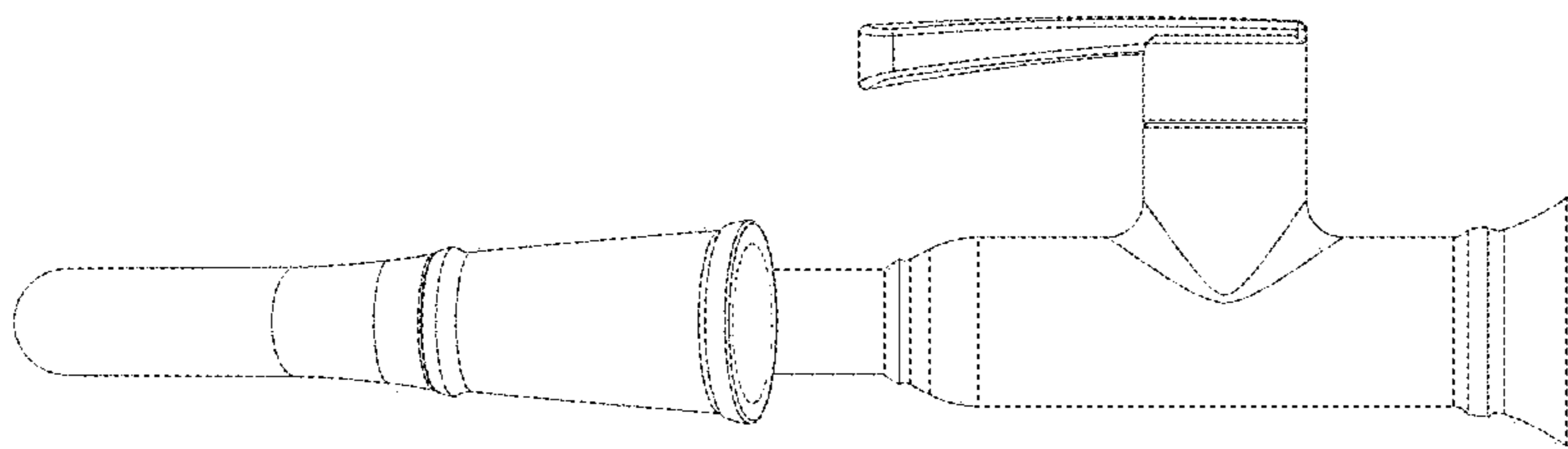


FIG. 3

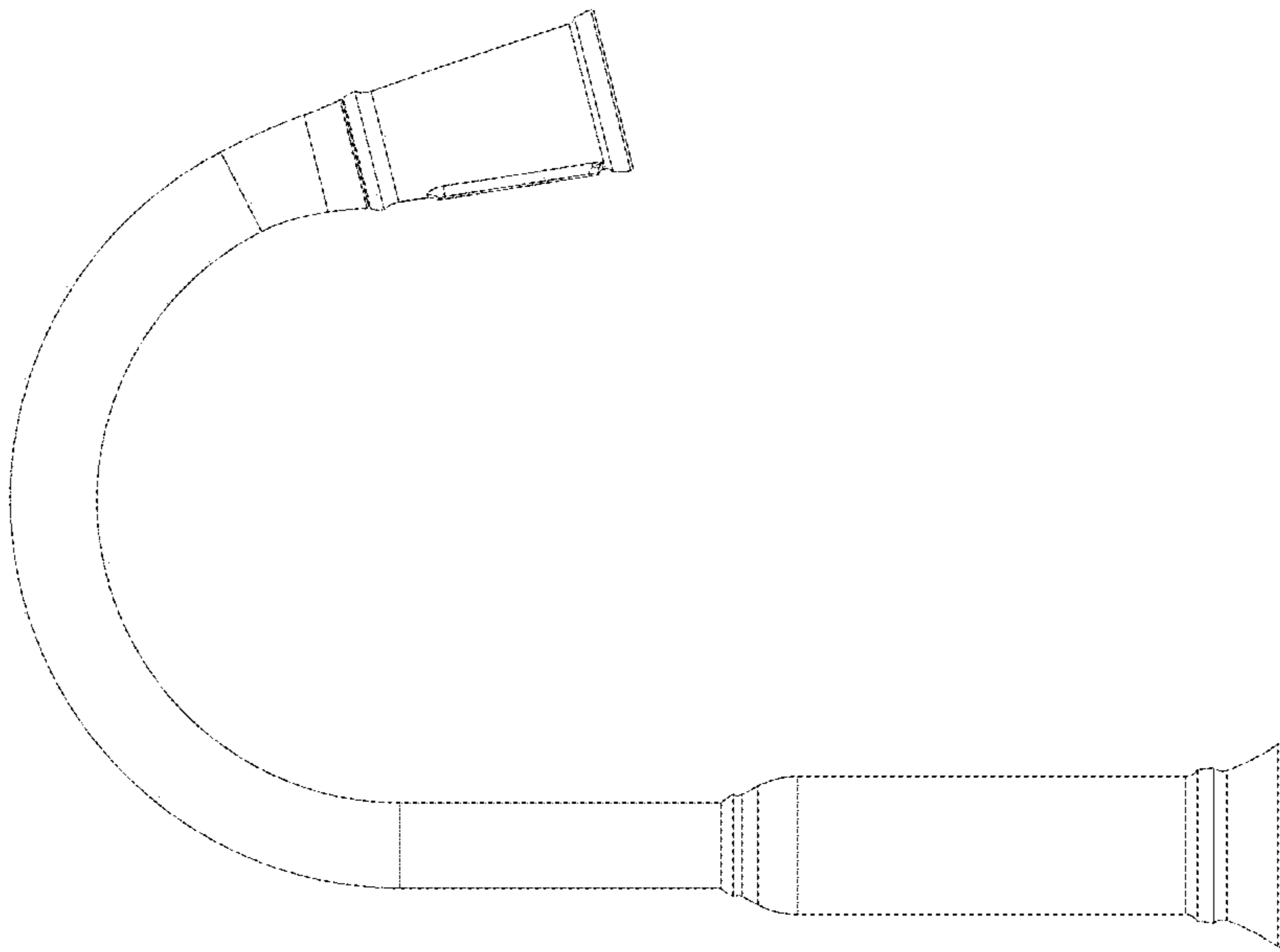


FIG. 6

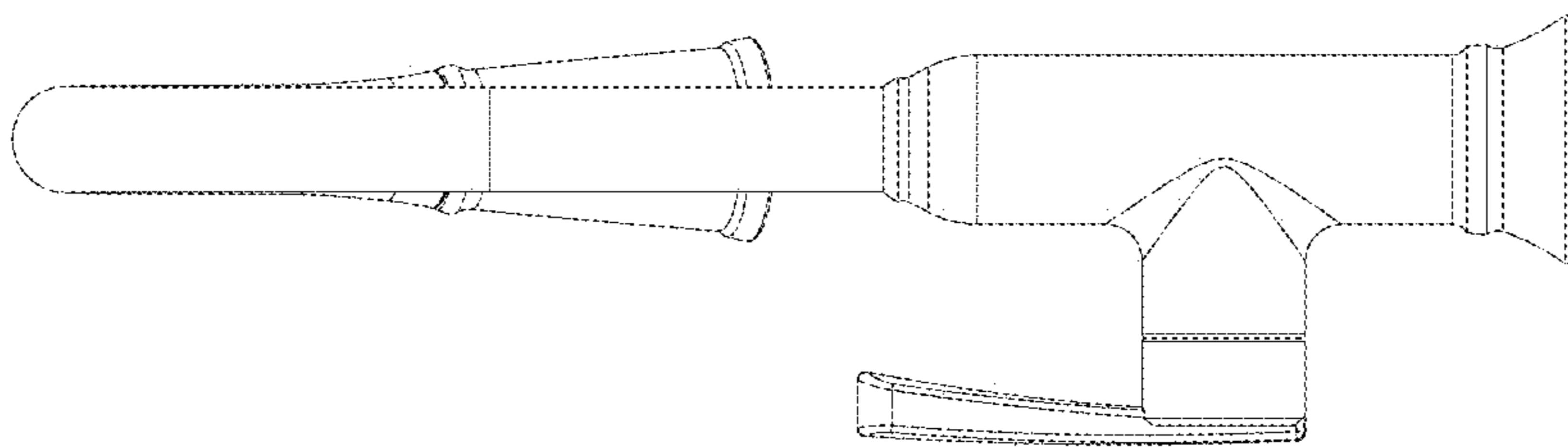


FIG. 5

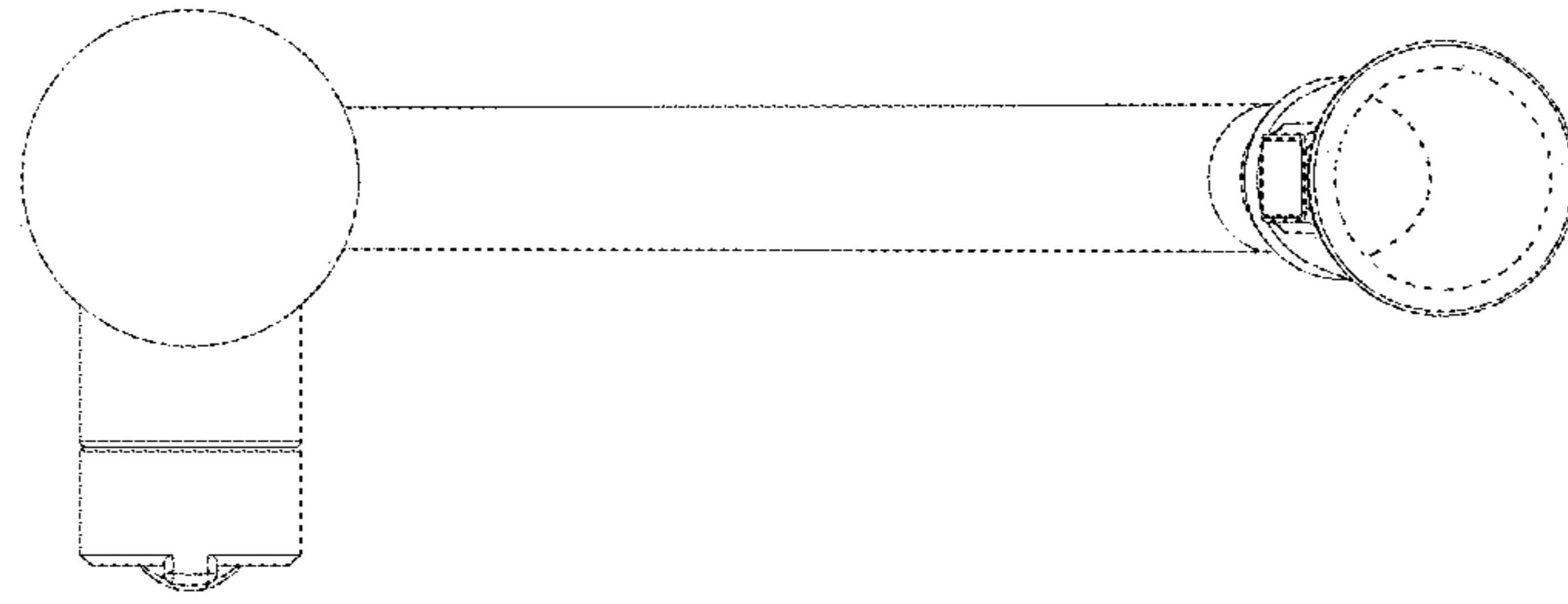


FIG. 8

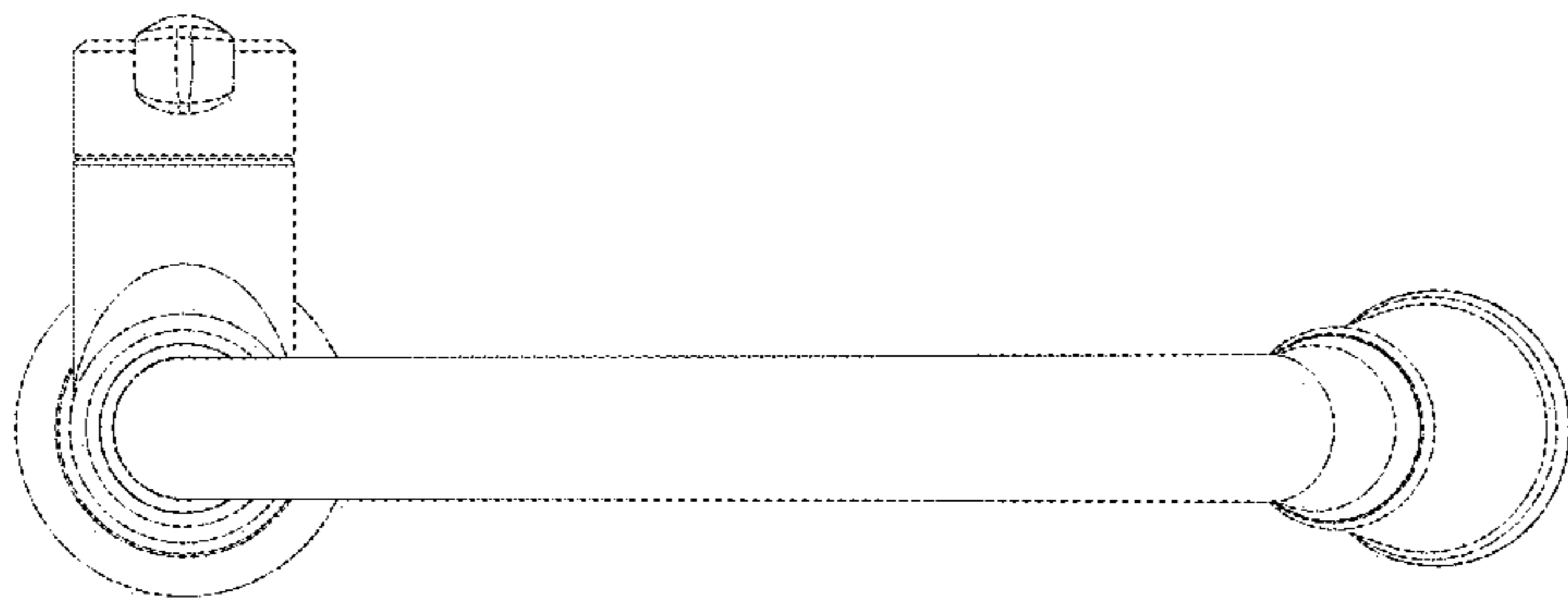


FIG. 7