



US00D969970S

(12) **United States Design Patent** (10) **Patent No.:** **US D969,970 S**  
**Elser** (45) **Date of Patent:** **\*\* Nov. 15, 2022**

(54) **FAUCET BODY**

FOREIGN PATENT DOCUMENTS

(71) Applicant: **DELTA FAUCET COMPANY,**  
Indianapolis, IN (US)

CN 304500223 \* 8/2017

(72) Inventor: **Simon Elser,** Indianapolis, IN (US)

OTHER PUBLICATIONS

(73) Assignee: **DELTA FAUCET COMPANY,**  
Indianapolis, IN (US)

Delta Leland Single-Handle Kitchen Sink Faucet, first available Jan. 16, 2016[online], [site visited Aug. 4, 2021]. Available from internet, URL:<https://www.amazon.com/Single-Handle-ShieldSpray-Technology-SpotShield-9178-SP-DST/dp/B01MT62JUO> (Year: 2016).\*

(\*\*) Term: **15 Years**

\* cited by examiner

(21) Appl. No.: **29/734,778**

(22) Filed: **May 15, 2020**

*Primary Examiner* — Barbara Fox

*Assistant Examiner* — Jamaal Rasheed

(51) **LOC (13) Cl.** ..... **23-01**

(74) *Attorney, Agent, or Firm* — Nirav D. Parikh; Jeffrey L. Doyle

(52) **U.S. Cl.**

USPC ..... **D23/238**

(58) **Field of Classification Search**

USPC ..... D23/238–243, 249, 255, 257

CPC .... E03C 1/0401; E03C 1/0402; E03C 1/0404;

E03C 1/0405; E03C 1/0412

See application file for complete search history.

(57) **CLAIM**

The ornamental design for a faucet body, as shown and described.

**DESCRIPTION**

(56) **References Cited**

U.S. PATENT DOCUMENTS

D537,146 S *	2/2007	Hanna	.....	D23/238
D693,905 S *	11/2013	Ke	.....	D23/238
D800,260 S *	10/2017	Fritz	.....	D23/238
D873,385 S *	1/2020	Tentler	.....	D23/257
D876,588 S *	2/2020	Garland	.....	D23/238
D877,297 S *	3/2020	Tentler	.....	D23/238
D896,348 S *	9/2020	Zhang	.....	D23/238
D914,145 S *	3/2021	Levi	.....	D23/238
D914,156 S *	3/2021	Zhu	.....	D23/249
D921,843 S *	6/2021	Eads	.....	D23/238

FIG. 1 is a front perspective view of a faucet body showing my new design;

FIG. 2 is rear perspective view thereof;

FIG. 3 is a front elevational view thereof;

FIG. 4 is a left side view thereof;

FIG. 5 is a rear view thereof;

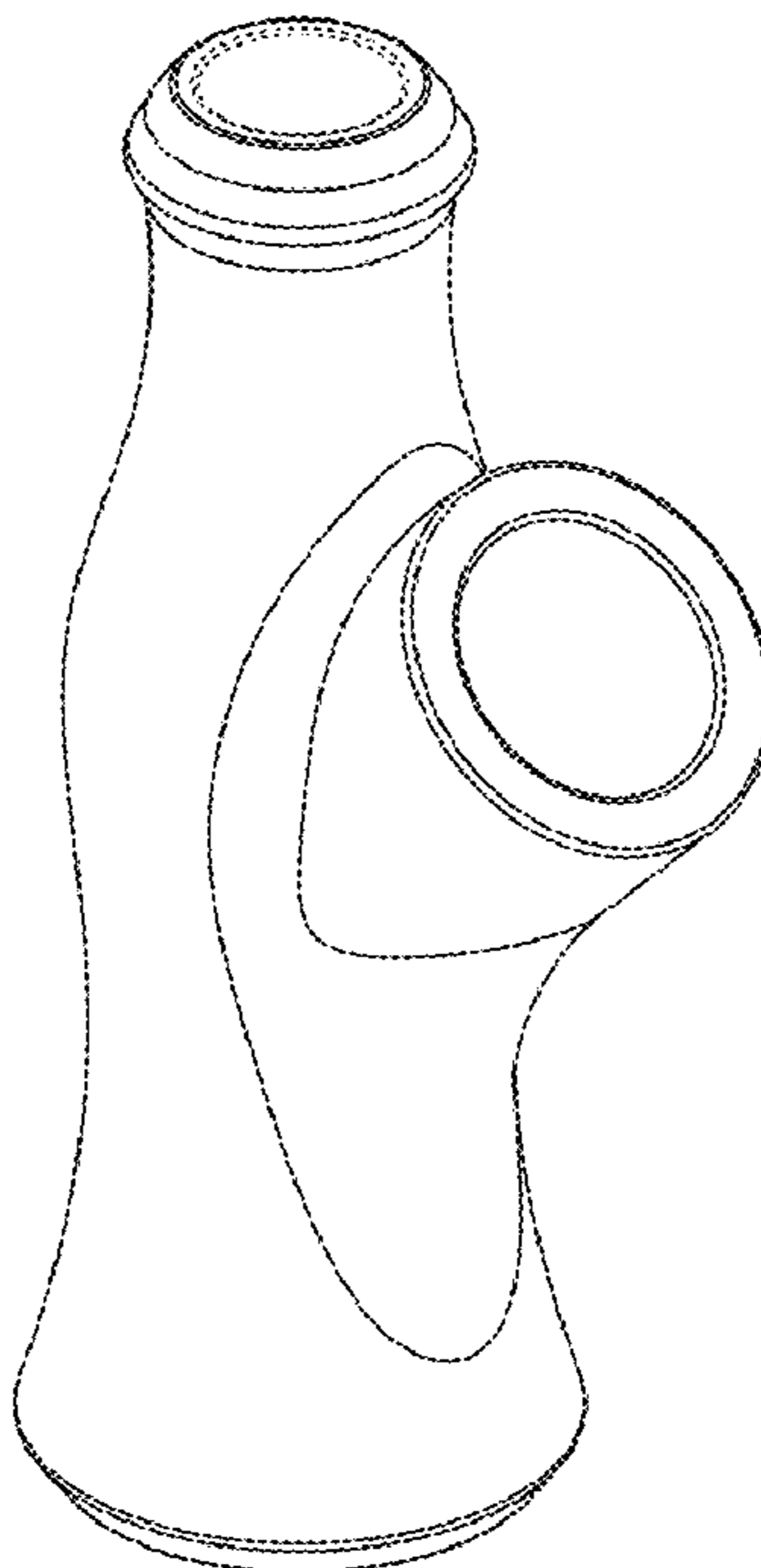
FIG. 6 is a right side view thereof;

FIG. 7 is a top plan view thereof; and,

FIG. 8 is a bottom view thereof.

The broken lines shown in the figures depict portions of the faucet body that forms no part of the claimed design.

**1 Claim, 4 Drawing Sheets**



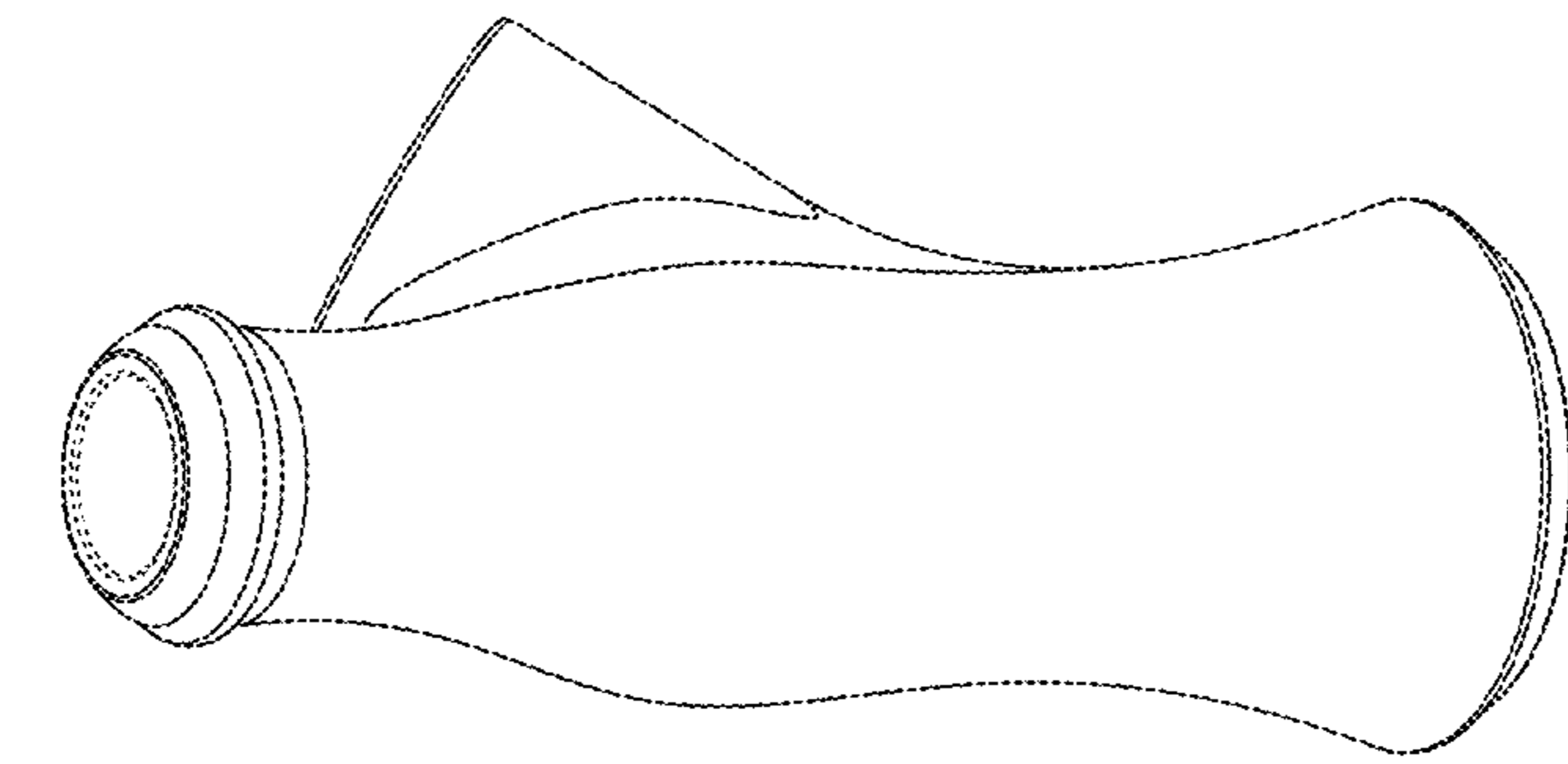


FIG. 2

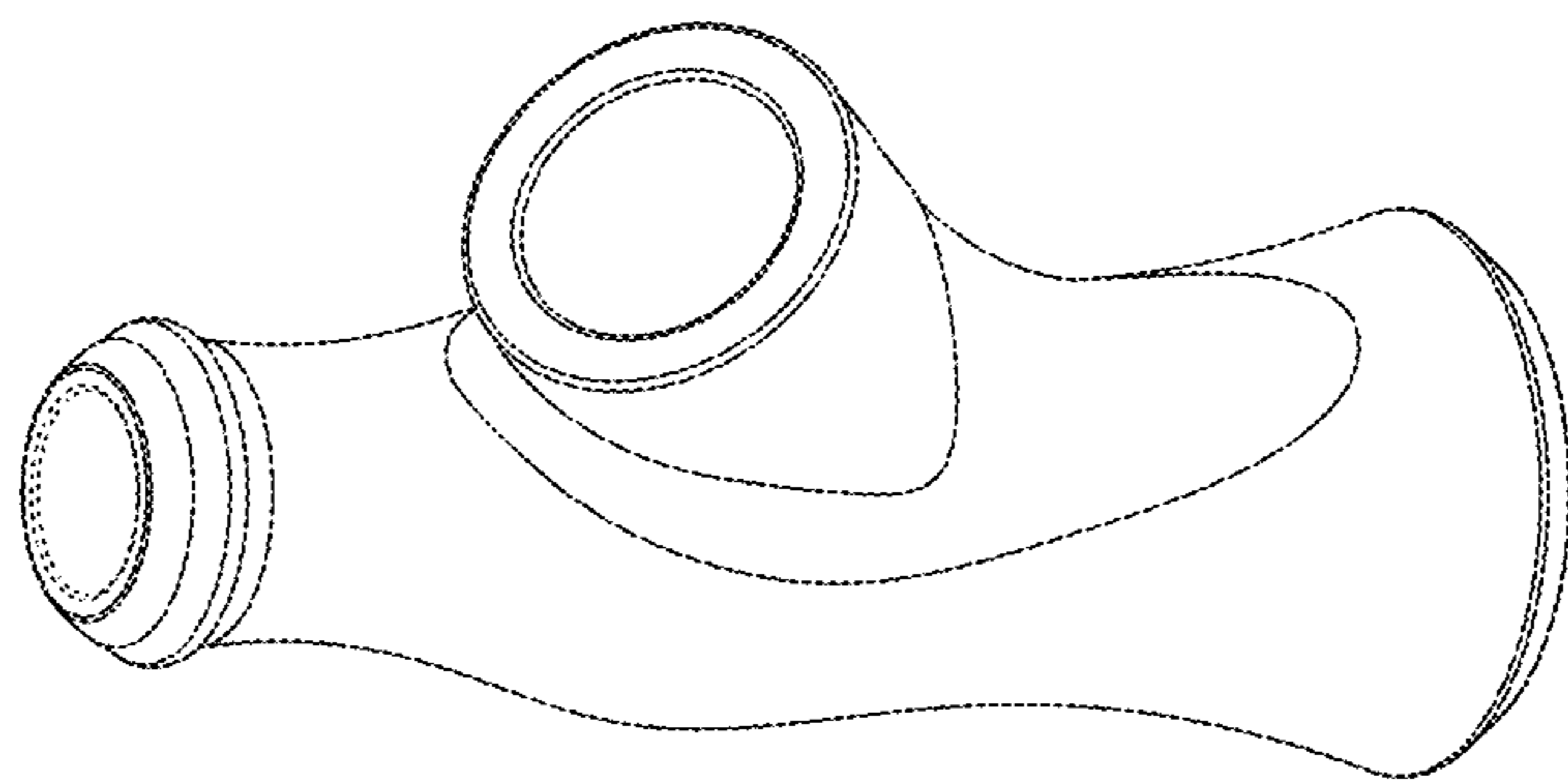


FIG. 1

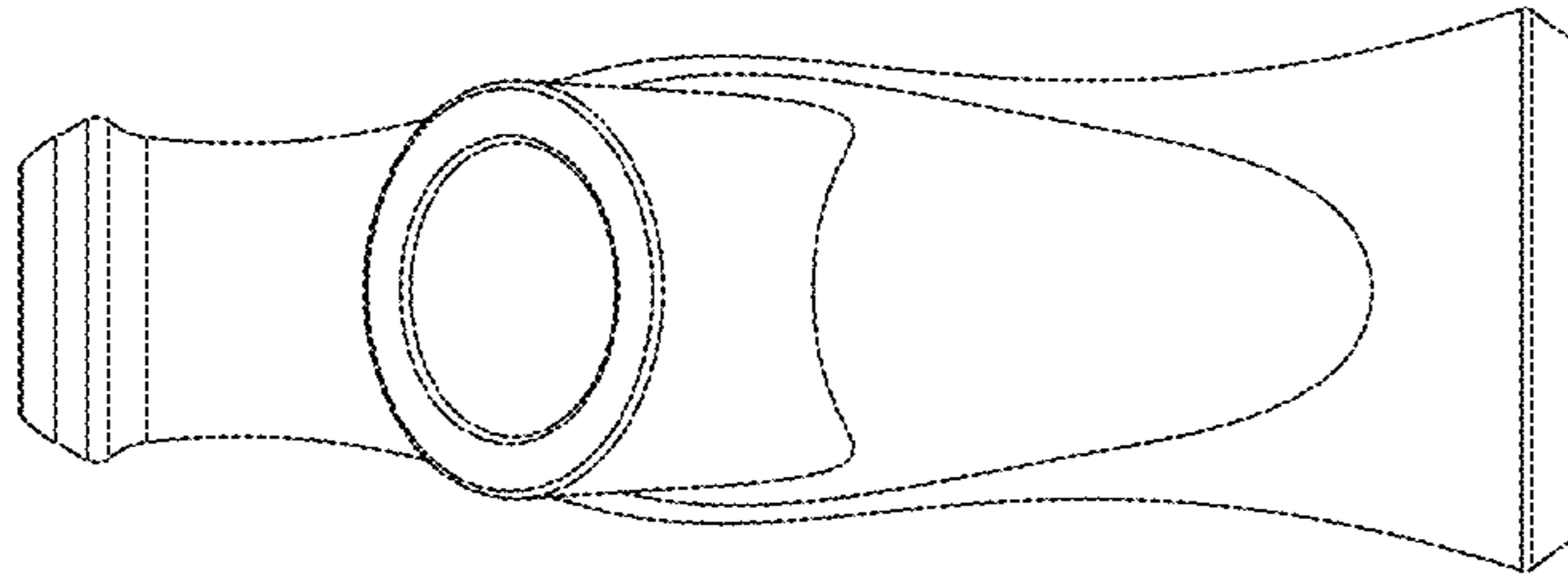


FIG. 4

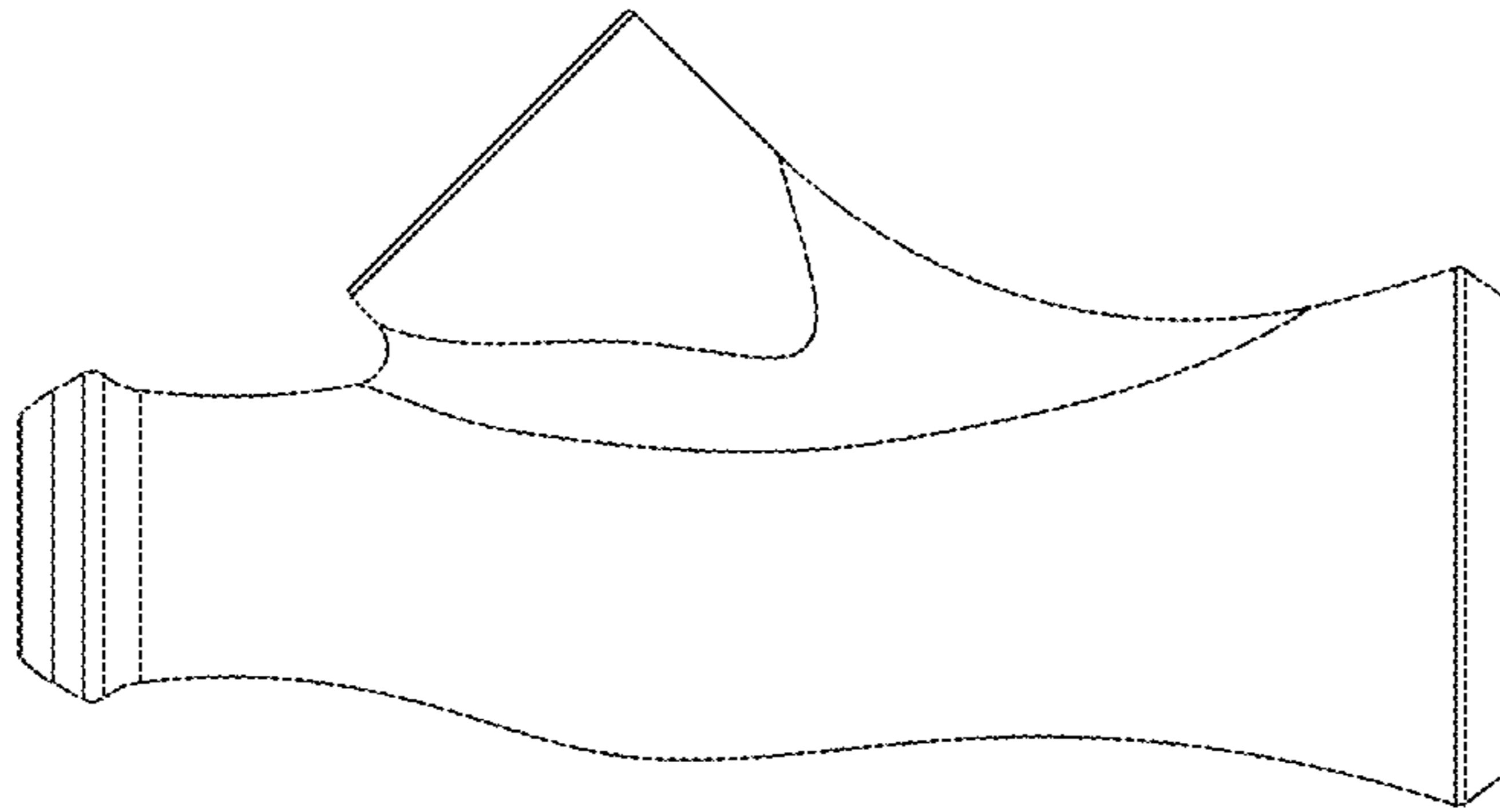


FIG. 3

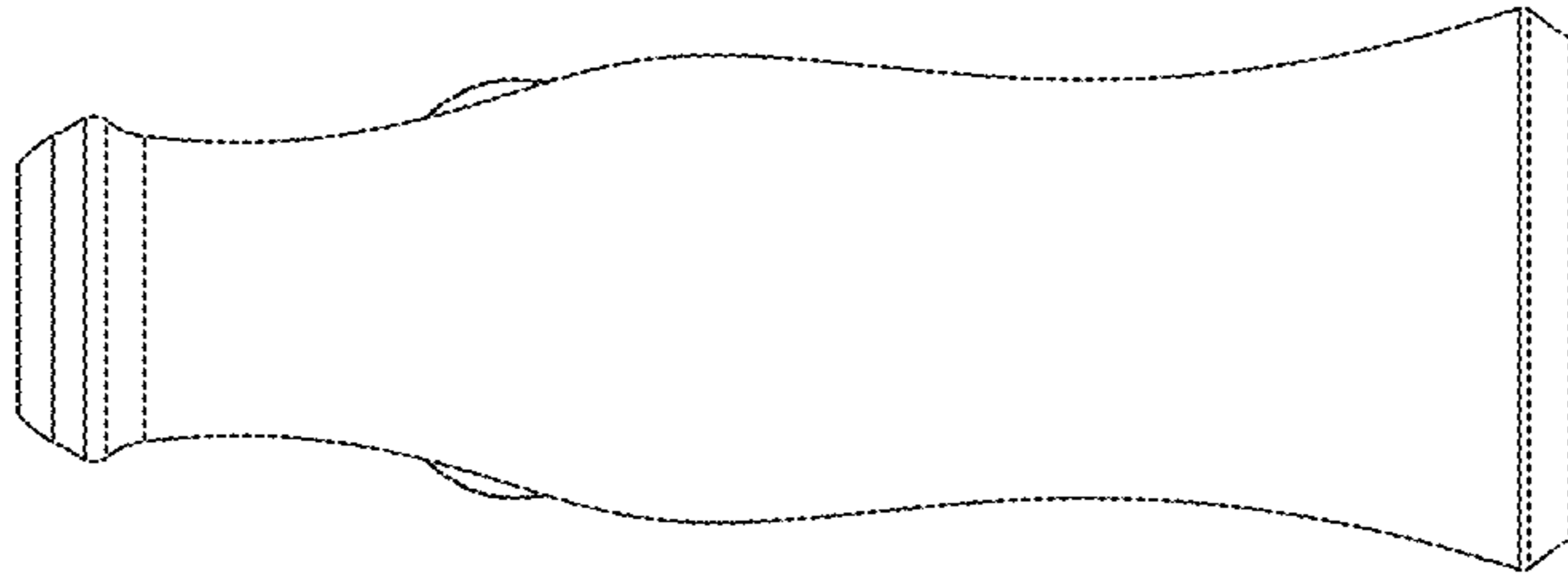


FIG. 6

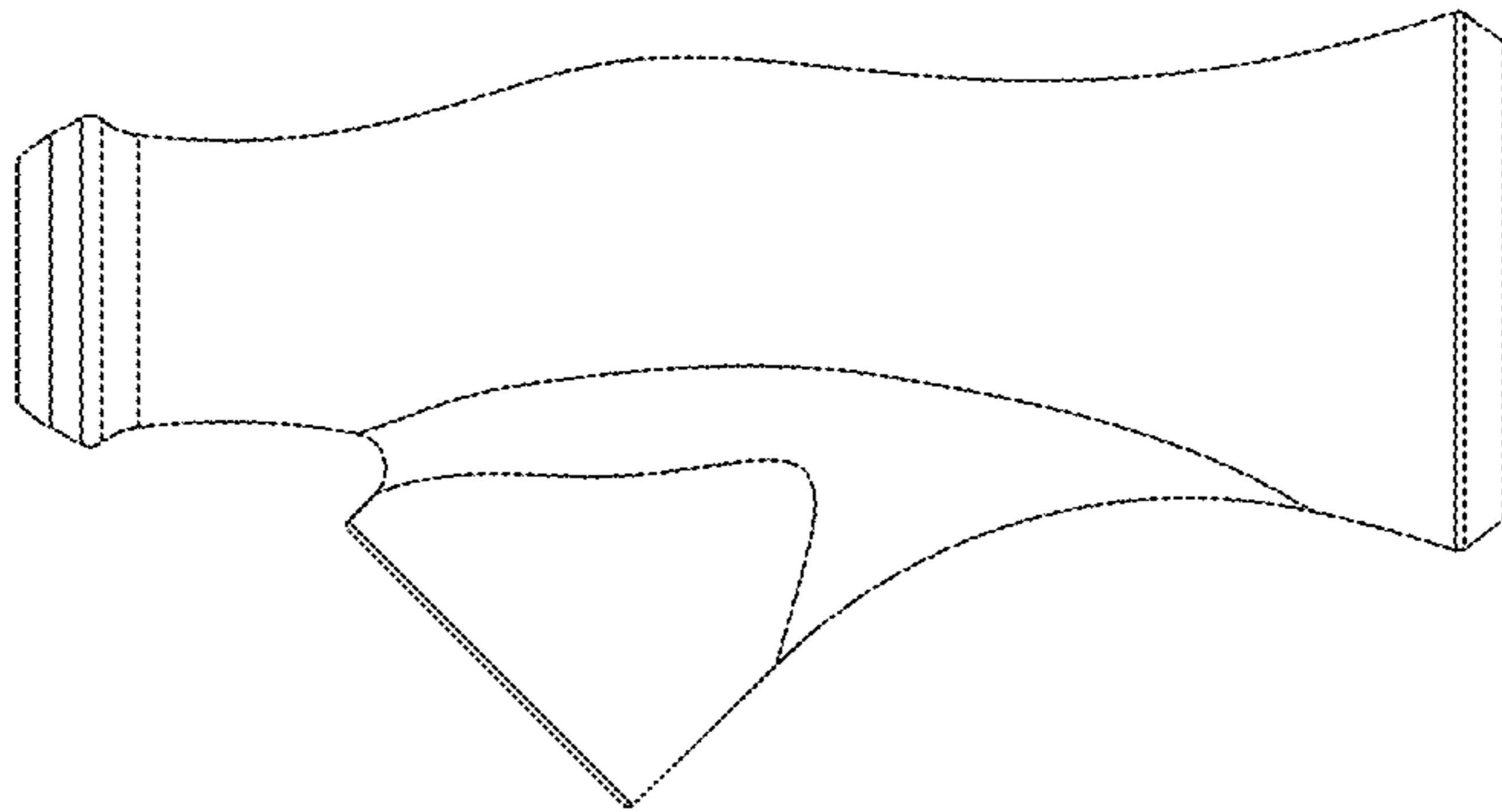


FIG. 5

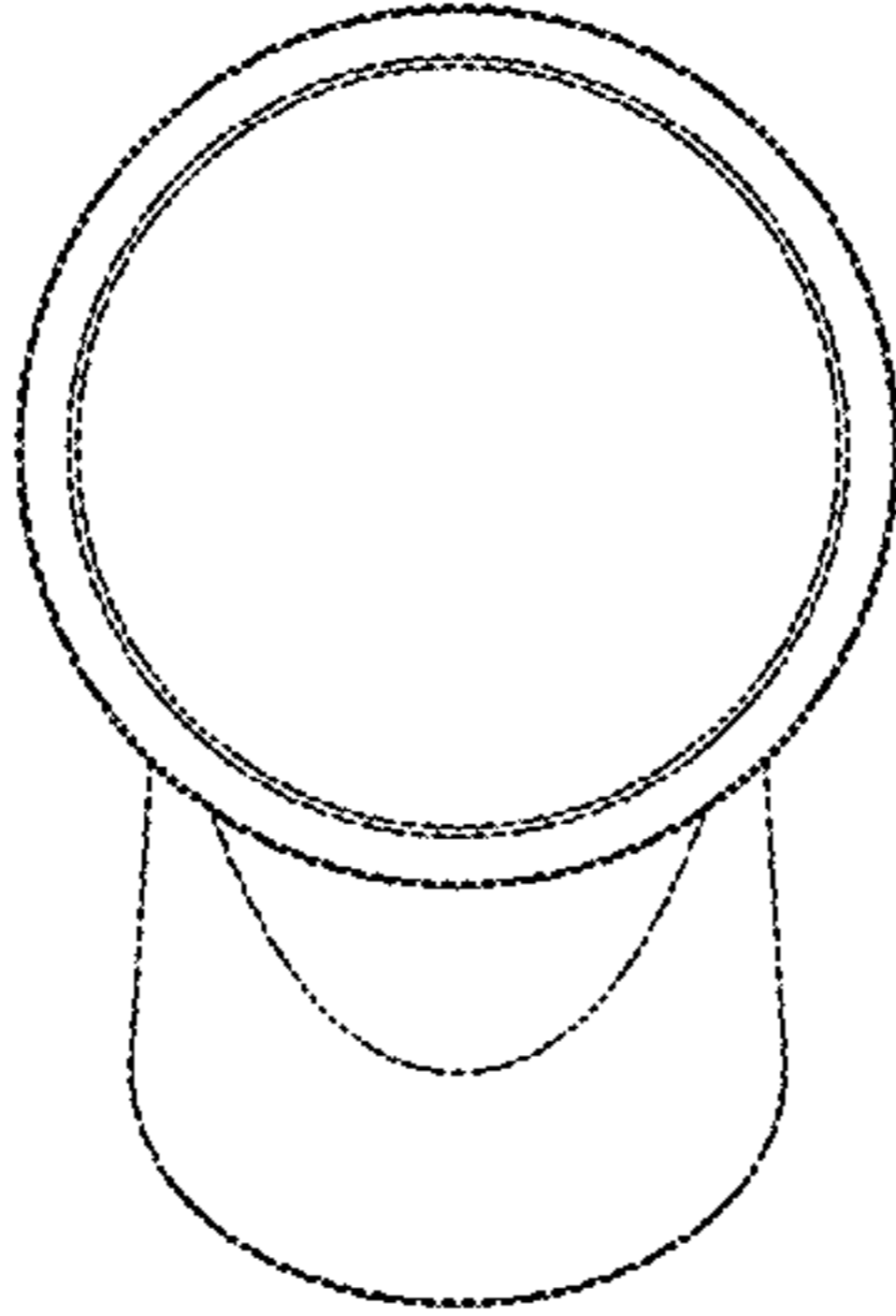


FIG. 8

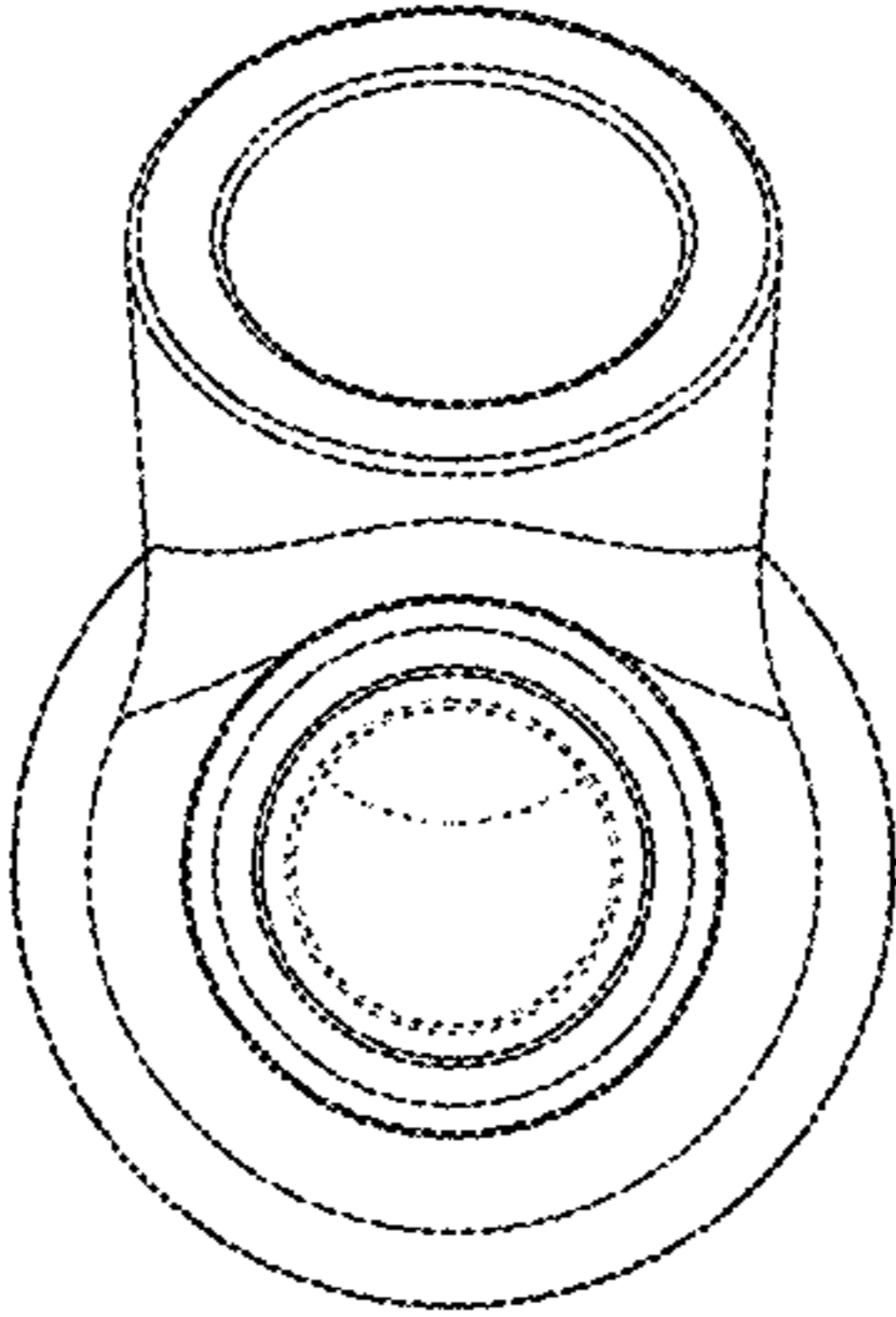


FIG. 7